



US00D645526S

(12) **United States Design Patent**  
**Norman et al.**

(10) **Patent No.:** **US D645,526 S**  
(45) **Date of Patent:** **\*\* Sep. 20, 2011**

(54) **INSECT TOY**

(75) Inventors: **David Anthony Norman**, Greenville, TX (US); **Robert Henry Mimlitch, III**, Rowlett, TX (US); **Joel Reagan Carter**, Argyle, TX (US); **Douglas Michael Galletti**, Allen, TX (US)

(73) Assignee: **Innovation First, Inc.**, Greenville, TX (US)

(\*\*) Term: **14 Years**

(21) Appl. No.: **29/362,446**

(22) Filed: **May 25, 2010**

(51) **LOC (9) Cl.** ..... **21-01**

(52) **U.S. Cl.** ..... **D21/650; D21/585**

(58) **Field of Classification Search** ..... D11/157–158; D21/576, 578–579, 584–585, 650; 446/3, 446/72, 97, 268, 356, 368, 377, 484  
See application file for complete search history.

(56) **References Cited**

**U.S. PATENT DOCUMENTS**

|           |    |   |        |                 |       |         |
|-----------|----|---|--------|-----------------|-------|---------|
| D289,070  | S  | * | 3/1987 | Forbes et al.   | ..... | D21/650 |
| D289,747  | S  | * | 5/1987 | Sethares et al. | ..... | D11/158 |
| D291,711  | S  | * | 9/1987 | Dixon           | ..... | D21/650 |
| 5,040,626 | A  | * | 8/1991 | Paynter         | ..... | 180/8.1 |
| D405,850  | S  | * | 2/1999 | Witkin          | ..... | D21/650 |
| D421,932  | S  | * | 3/2000 | Hawkins et al.  | ..... | D11/158 |
| D427,256  | S  | * | 6/2000 | Teigiser        | ..... | D21/650 |
| 6,238,264 | B1 | * | 5/2001 | Kazami et al.   | ..... | 446/368 |
| D456,467  | S  | * | 4/2002 | Corbett         | ..... | D21/650 |

|           |    |   |         |                  |       |         |
|-----------|----|---|---------|------------------|-------|---------|
| 6,652,352 | B1 | * | 11/2003 | MacArthur et al. | ..... | 446/356 |
| 6,681,150 | B1 | * | 1/2004  | Haga et al.      | ..... | 446/368 |
| 6,964,309 | B2 | * | 11/2005 | Quinn et al.     | ..... | 180/8.1 |
| D517,131  | S  | * | 3/2006  | Carruth          | ..... | D21/592 |
| 7,204,455 | B2 | * | 4/2007  | Sinclair         | ..... | 244/72  |
| D555,213  | S  | * | 11/2007 | Bowen et al.     | ..... | D21/578 |

\* cited by examiner

*Primary Examiner* — Sandra Morris

(74) *Attorney, Agent, or Firm* — Fish & Richardson P.C.

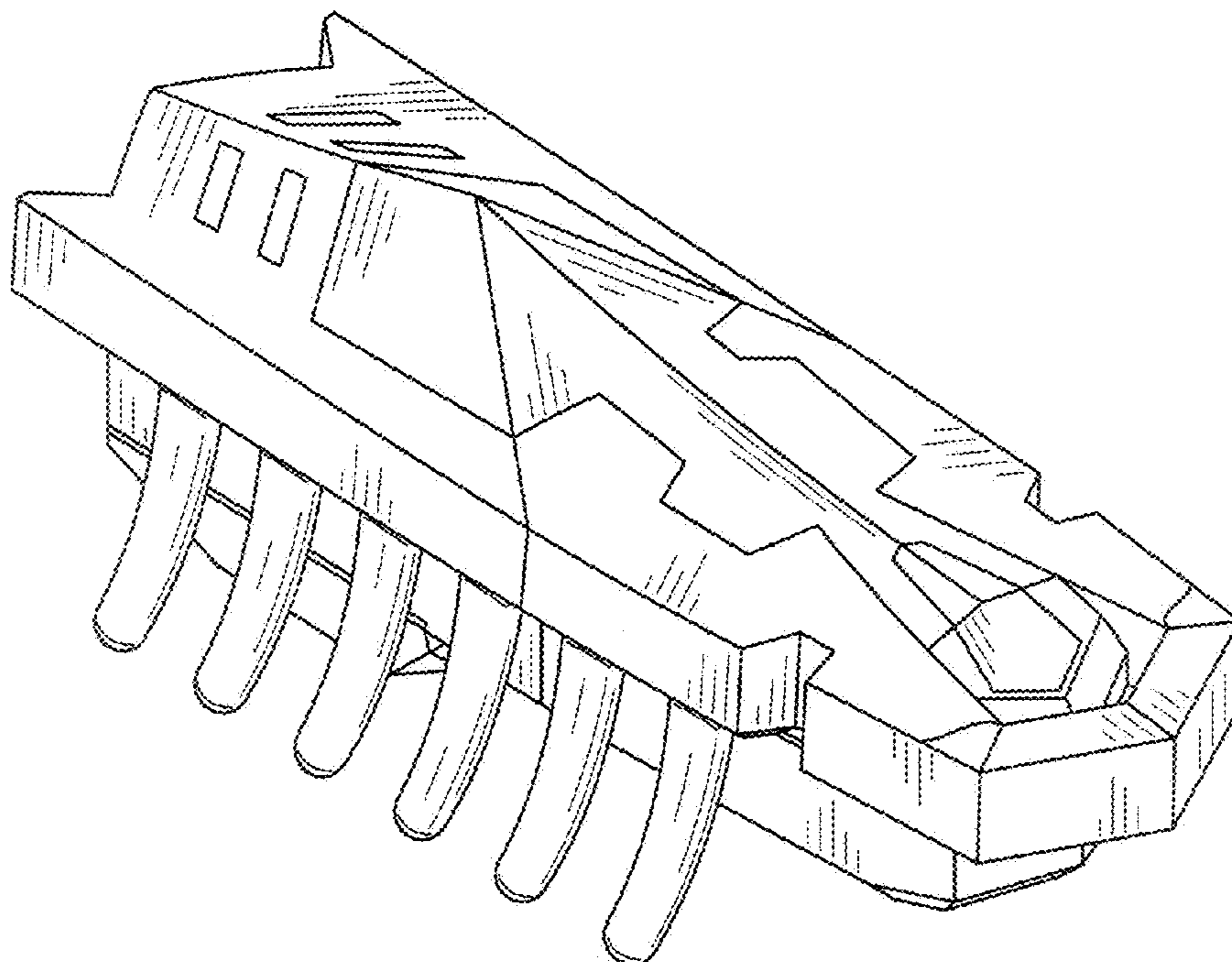
(57) **CLAIM**

The ornamental design for an insect toy, as shown and described.

**DESCRIPTION**

FIG. 1 is a perspective view of an insect toy showing the top, front, and left sides of my new design; FIG. 2 is a front side view thereof; FIG. 3 is a rear side view thereof; FIG. 4 is a left side view thereof; FIG. 5 is a right side view thereof; FIG. 6 is a top plan view thereof; FIG. 7 is a bottom plan view thereof; FIG. 8 is a first bottom perspective view showing the bottom, front, and left sides thereof; and, FIG. 9 is a second bottom perspective view showing the bottom, rear, and left sides thereof. The broken lines are for environmental purposes only and form no part of the claimed design.

**1 Claim, 5 Drawing Sheets**



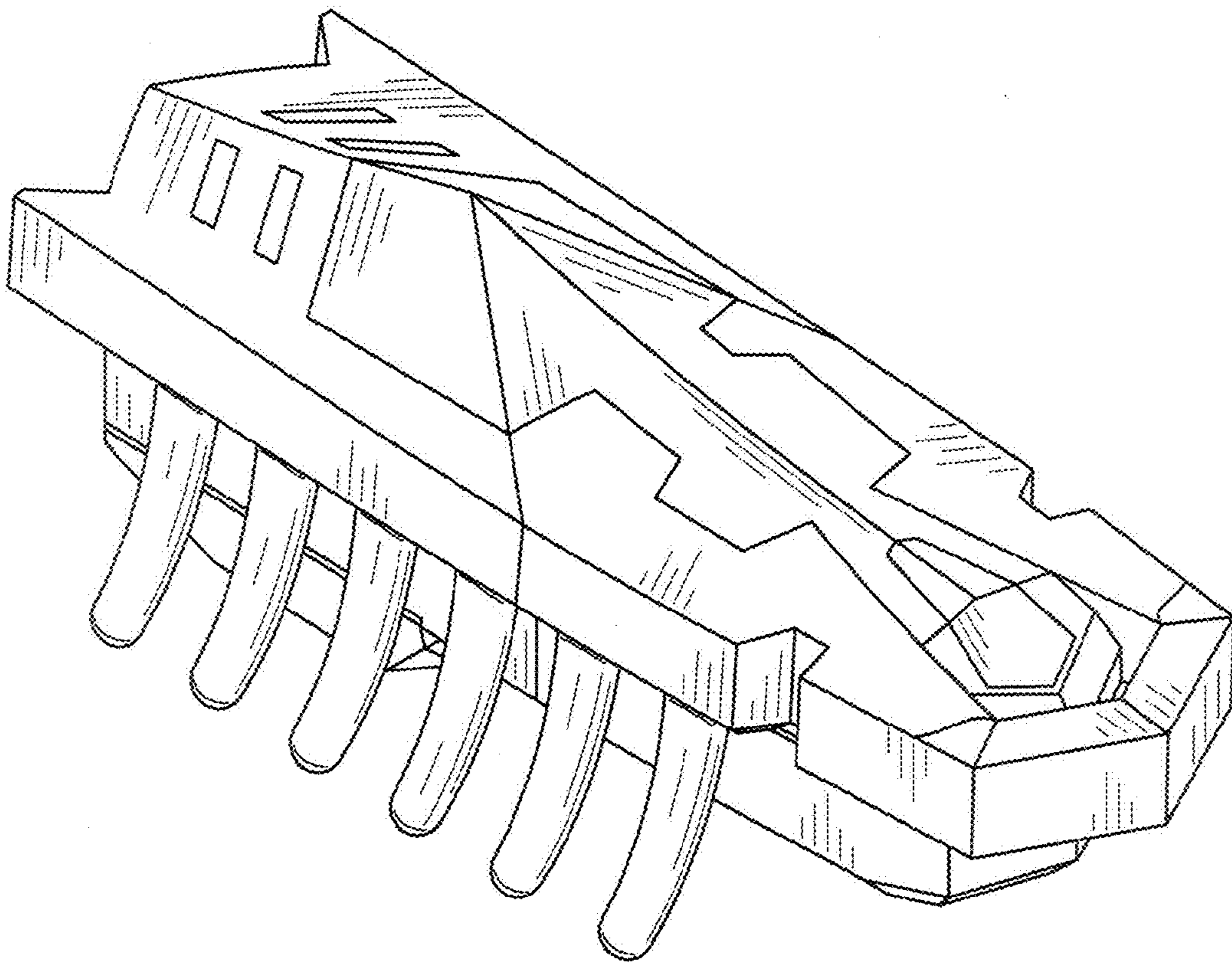


FIG. 1

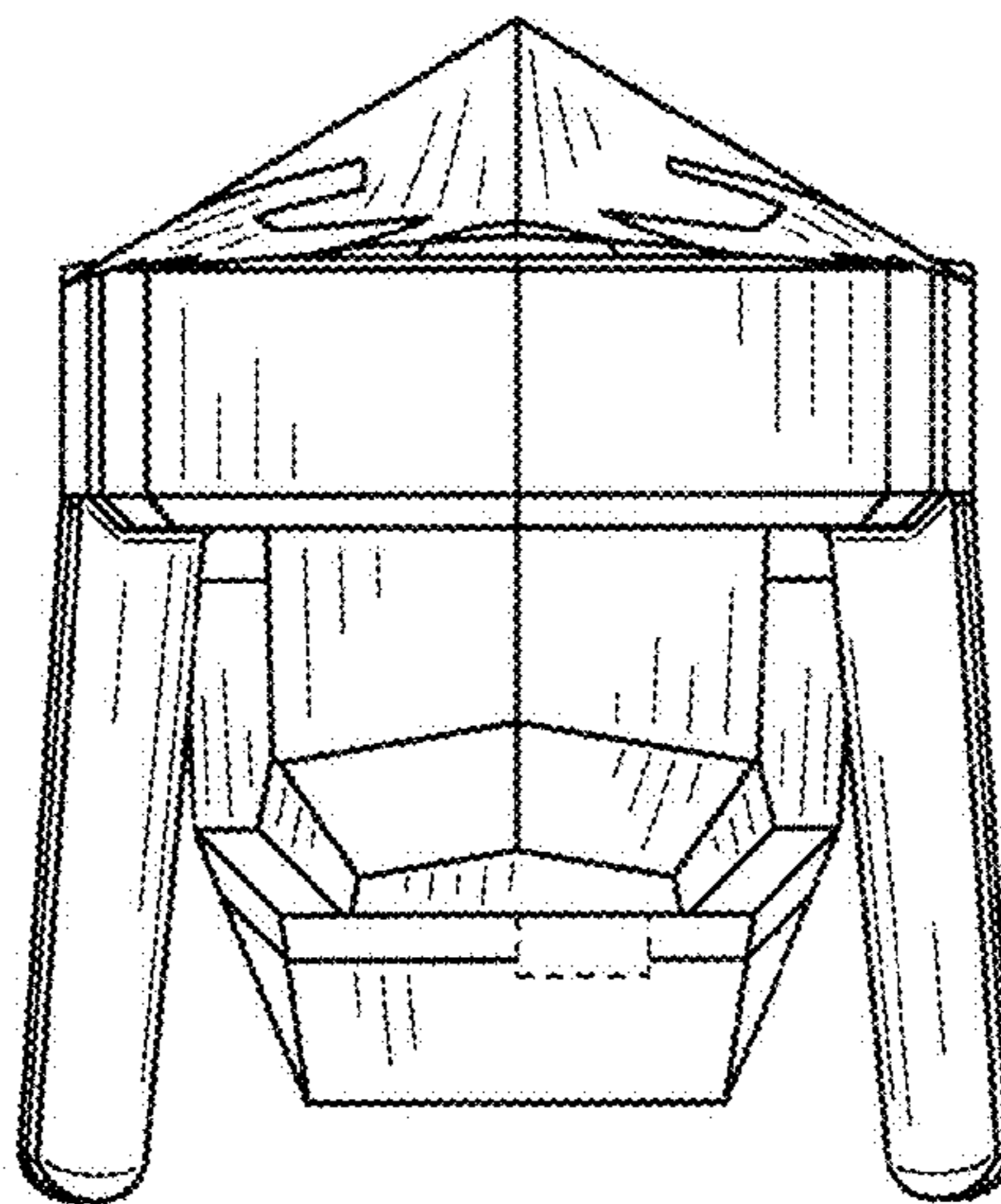


FIG. 2

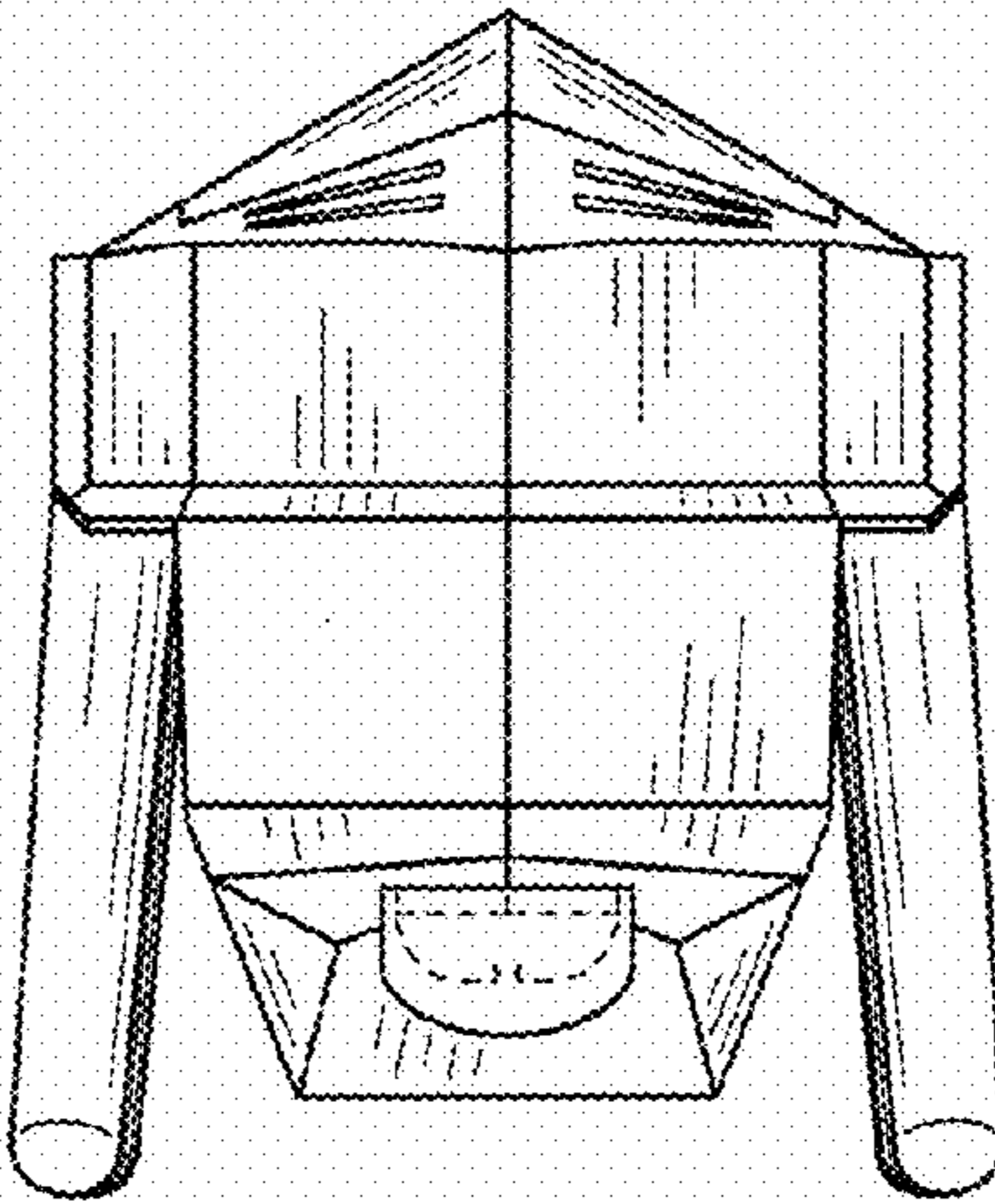


FIG. 3

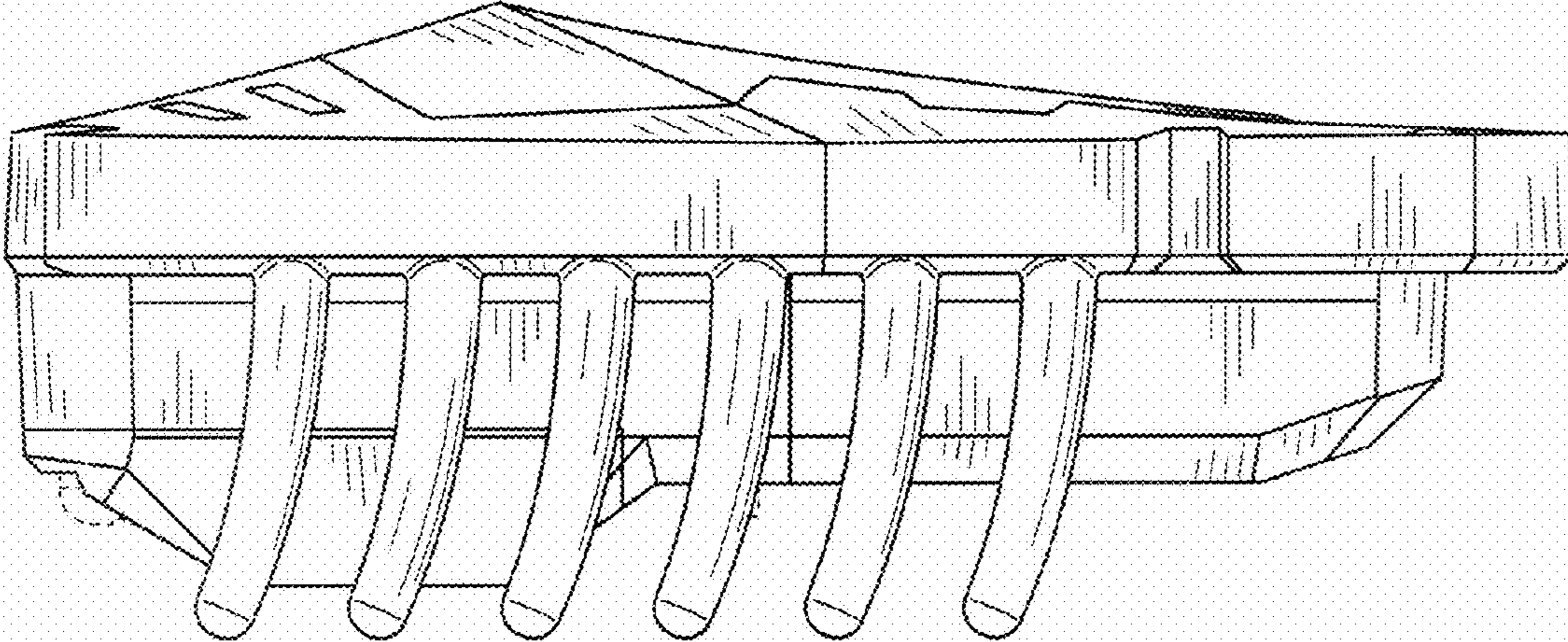


FIG. 4

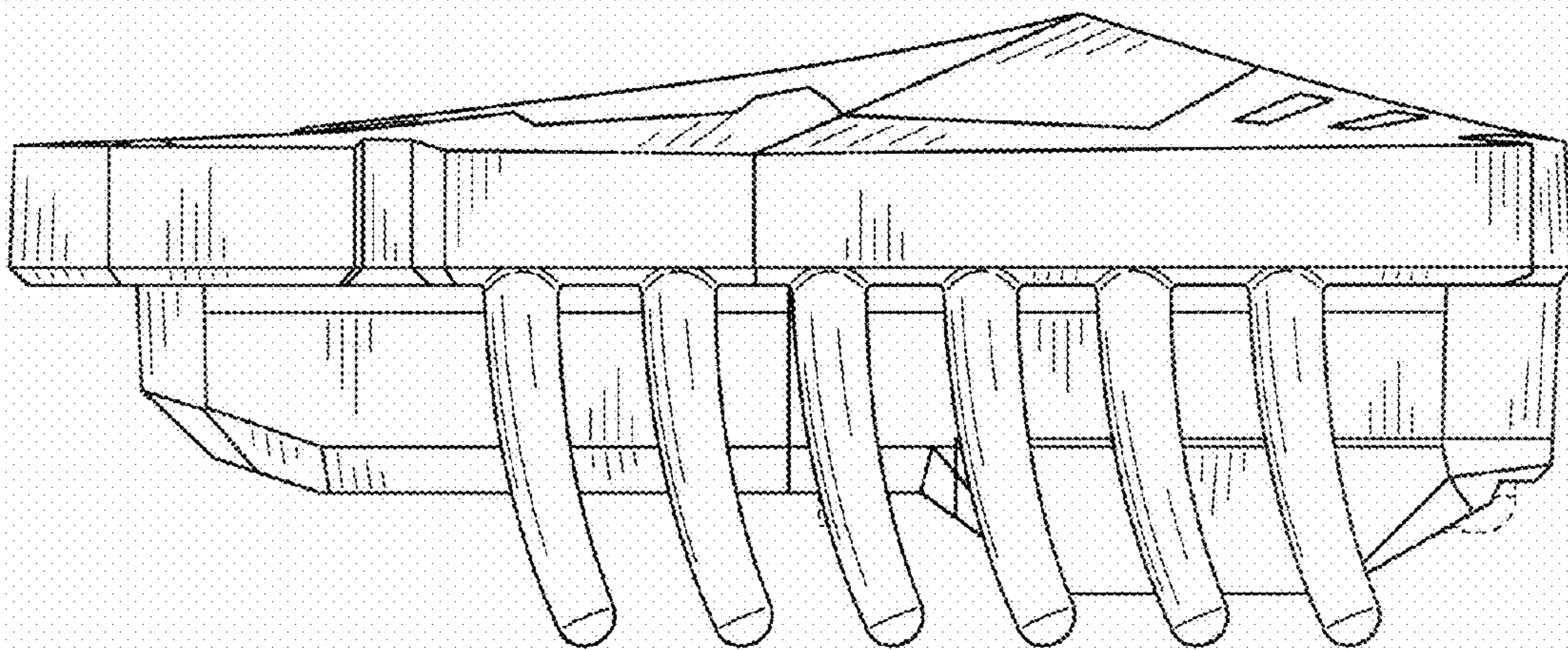


FIG. 5

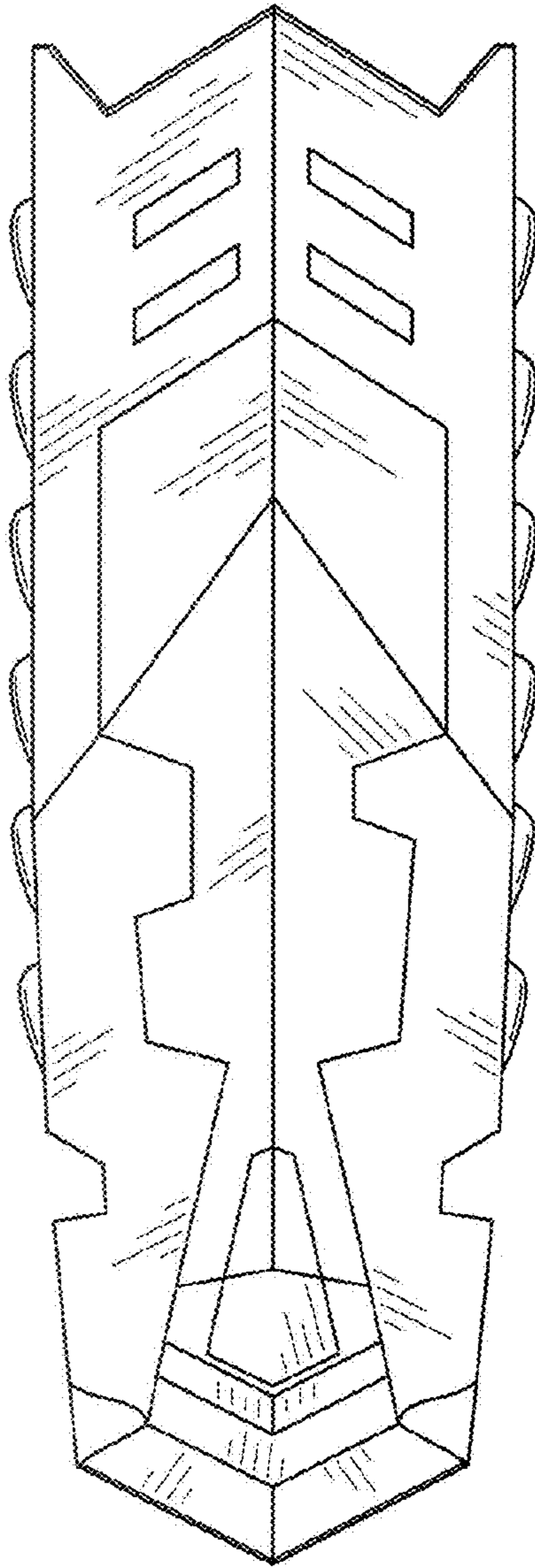


FIG. 6

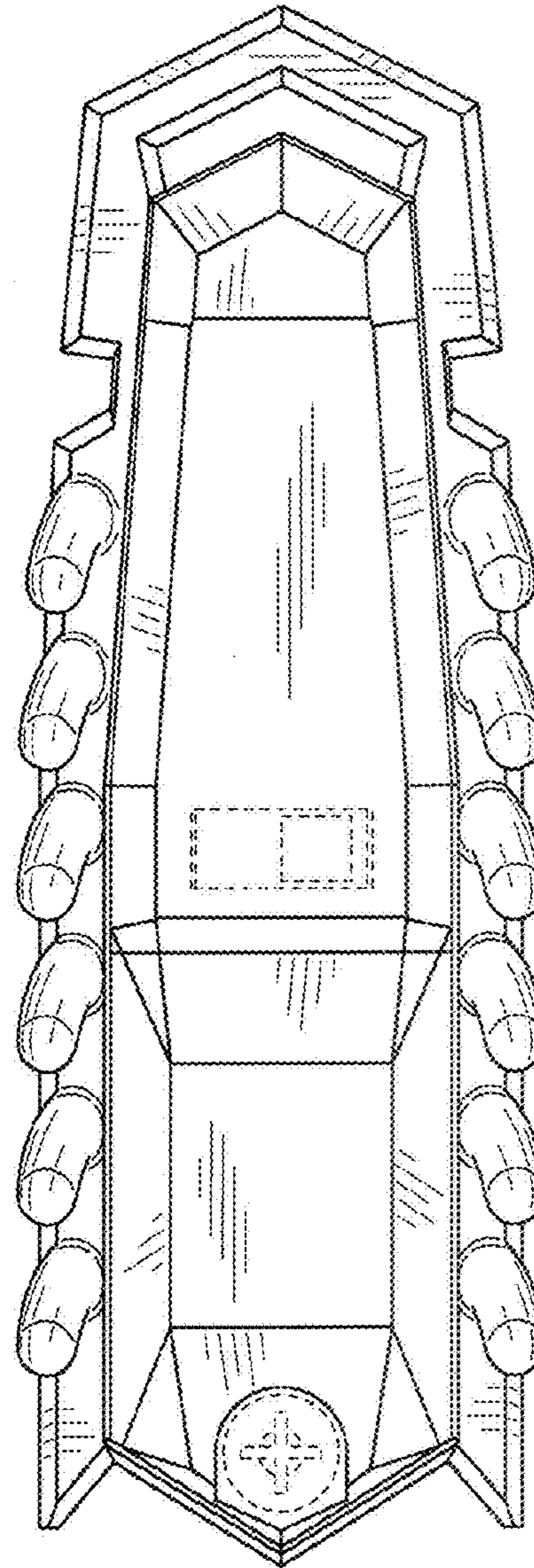


FIG. 7

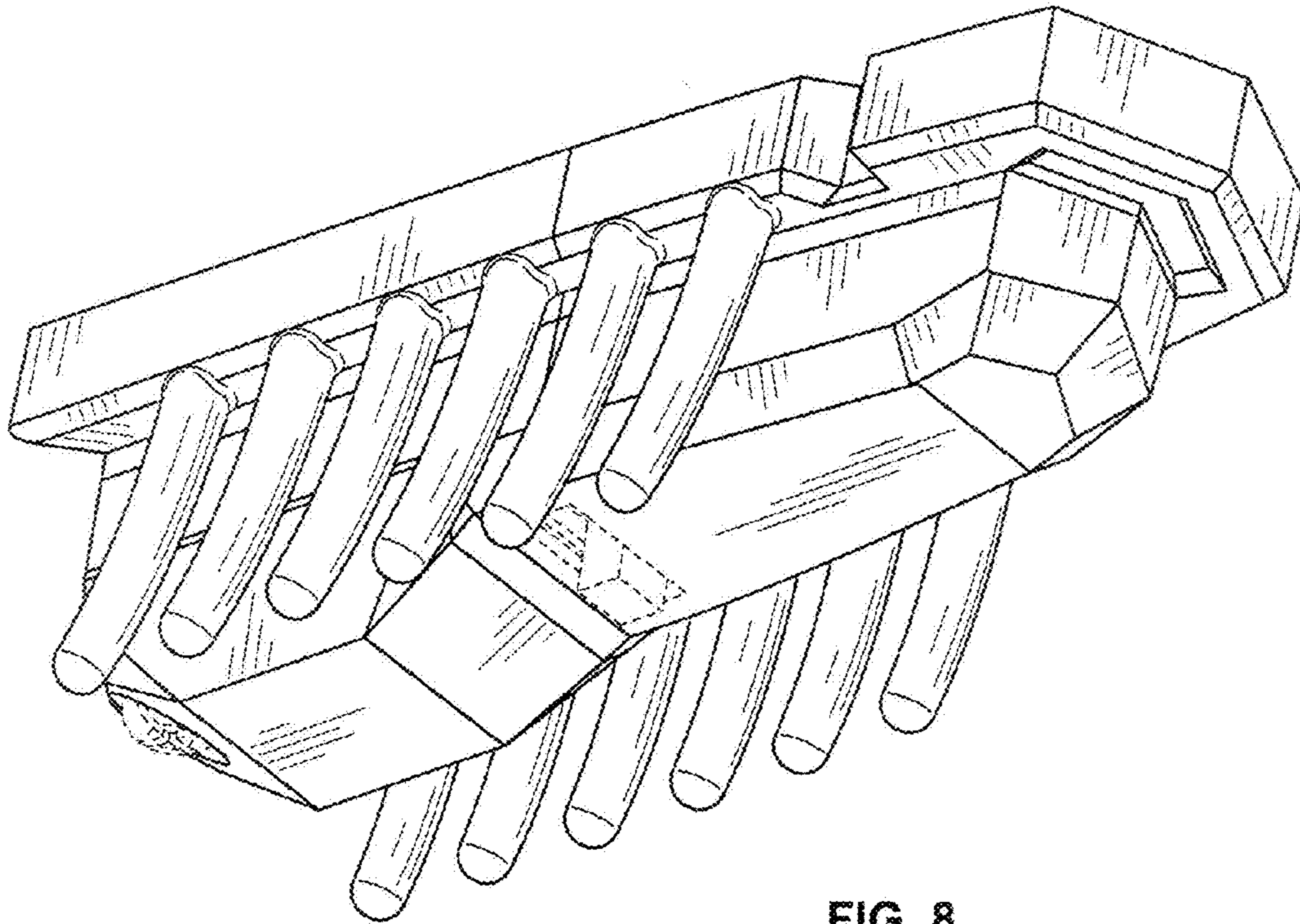


FIG. 8

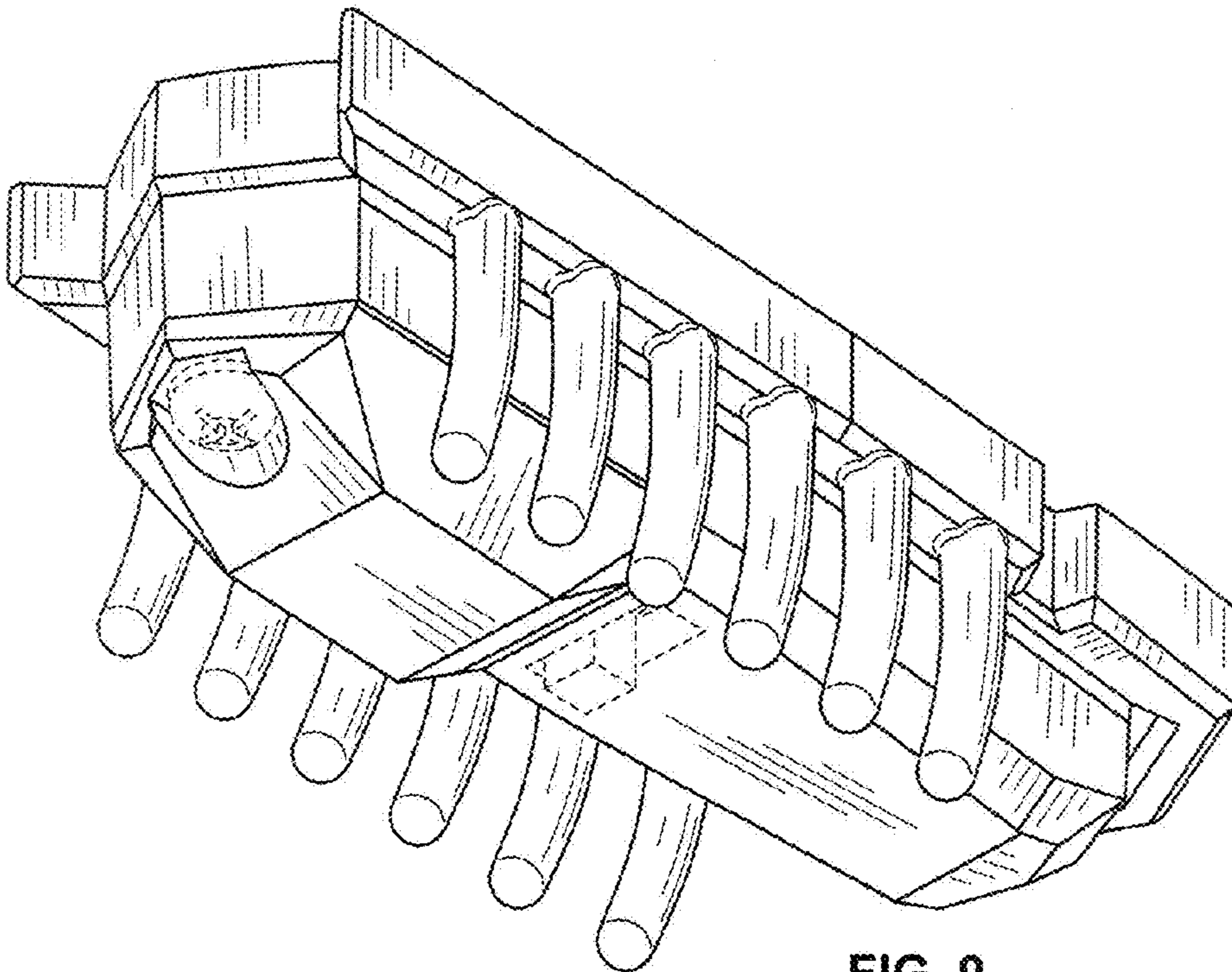


FIG. 9