



US00D645522S

(12) **United States Design Patent**
Powers et al.

(10) **Patent No.:** **US D645,522 S**

(45) **Date of Patent:** **** Sep. 20, 2011**

(54) **SCOOTER**

(75) Inventors: **Katherine Powers**, Chicago, IL (US);
Earle Cramer, Chicago, IL (US)

(73) Assignee: **Radio Flyer, Inc.**, Chicago, IL (US)

(**) Term: **14 Years**

(21) Appl. No.: **29/368,368**

(22) Filed: **Aug. 23, 2010**

(51) **LOC (9) Cl.** **21-01**

(52) **U.S. Cl.** **D21/423**

(58) **Field of Classification Search** D21/419,
D21/421, 423, 426, 769, 760, 765, 771, 803;
D12/1, 8; 280/14.21, 14.25, 14.26, 87.041,
280/87.042, 263, 288.1, 288.2, 288.4, 200,
280/214, 809; 180/180, 181
See application file for complete search history.

(56) **References Cited**

U.S. PATENT DOCUMENTS

6,168,175 B1 * 1/2001 Lan 280/87.041
D438,911 S * 3/2001 Chen D21/423
D443,001 S * 5/2001 Ouboter D21/423
D447,187 S * 8/2001 Powers D21/423

D447,188 S * 8/2001 Lan D21/423
D456,460 S * 4/2002 Tseng D21/423
6,431,302 B2 * 8/2002 Patmont et al. 180/181
D463,508 S * 9/2002 Stroppiana D21/423
D486,532 S * 2/2004 Christianson D21/423
D492,367 S * 6/2004 Dennis D21/423
D497,397 S * 10/2004 Sramek D21/423
D516,132 S * 2/2006 Sramek D21/423
D569,447 S * 5/2008 Thomas D21/423

* cited by examiner

Primary Examiner — Cynthia M Chin

(74) *Attorney, Agent, or Firm* — R. Blake Johnston, Esq.;
DLA Piper LLP (US)

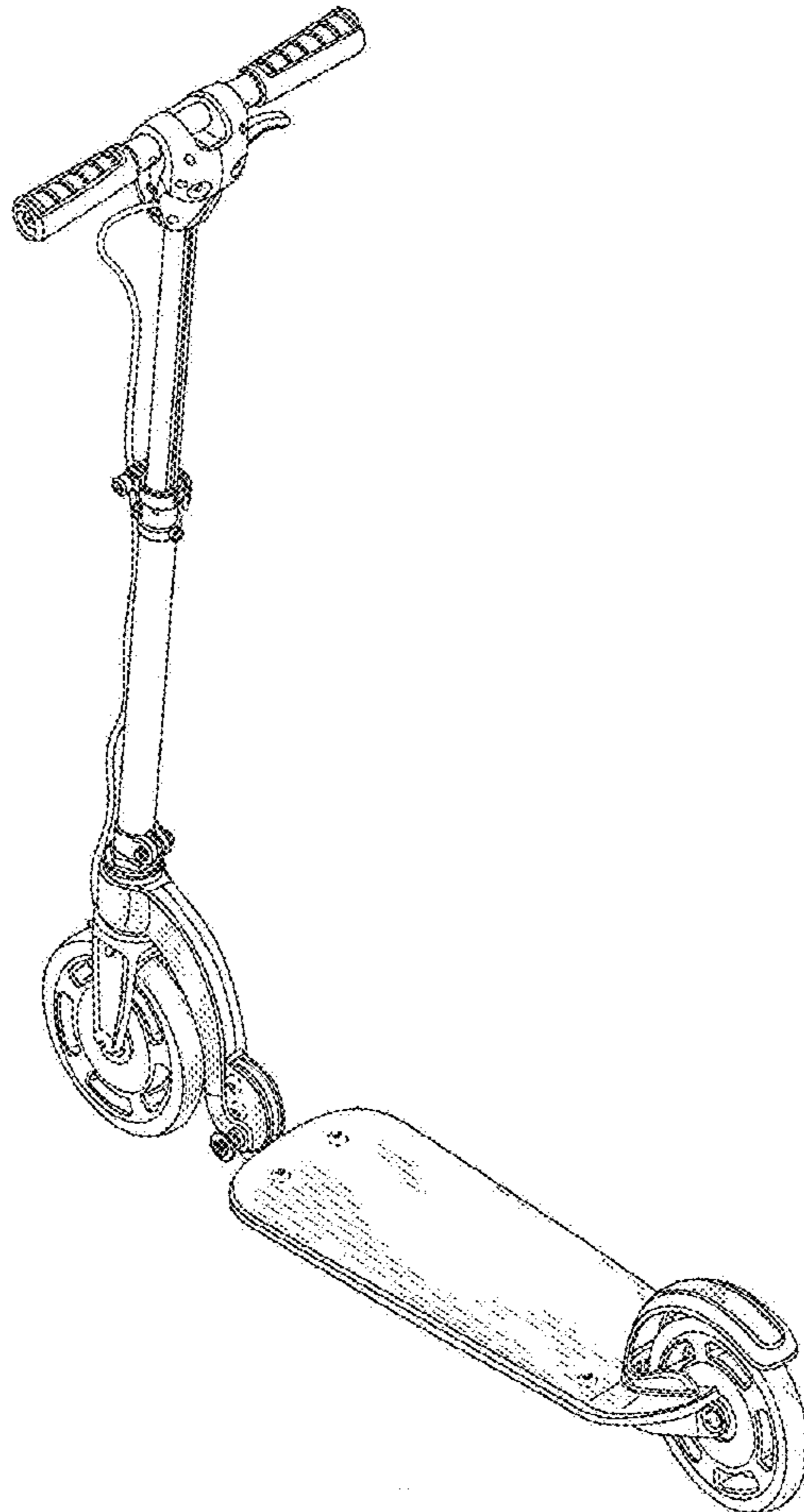
(57) **CLAIM**

The ornamental design for a scooter, as shown and described.

DESCRIPTION

FIG. 1 is a rear perspective view of the scooter;
FIG. 2 is a front perspective view of the scooter;
FIG. 3 is a rear elevational view of the scooter;
FIG. 4 is a left side elevational view of the scooter;
FIG. 5 is a front elevational view of the scooter;
FIG. 6 is a right side elevational view of the scooter;
FIG. 7 is a bottom plan view of the scooter; and,
FIG. 8 is a top plan view of the scooter.
The broken lines represent portions of the article that form no
part of the claim.

1 Claim, 5 Drawing Sheets



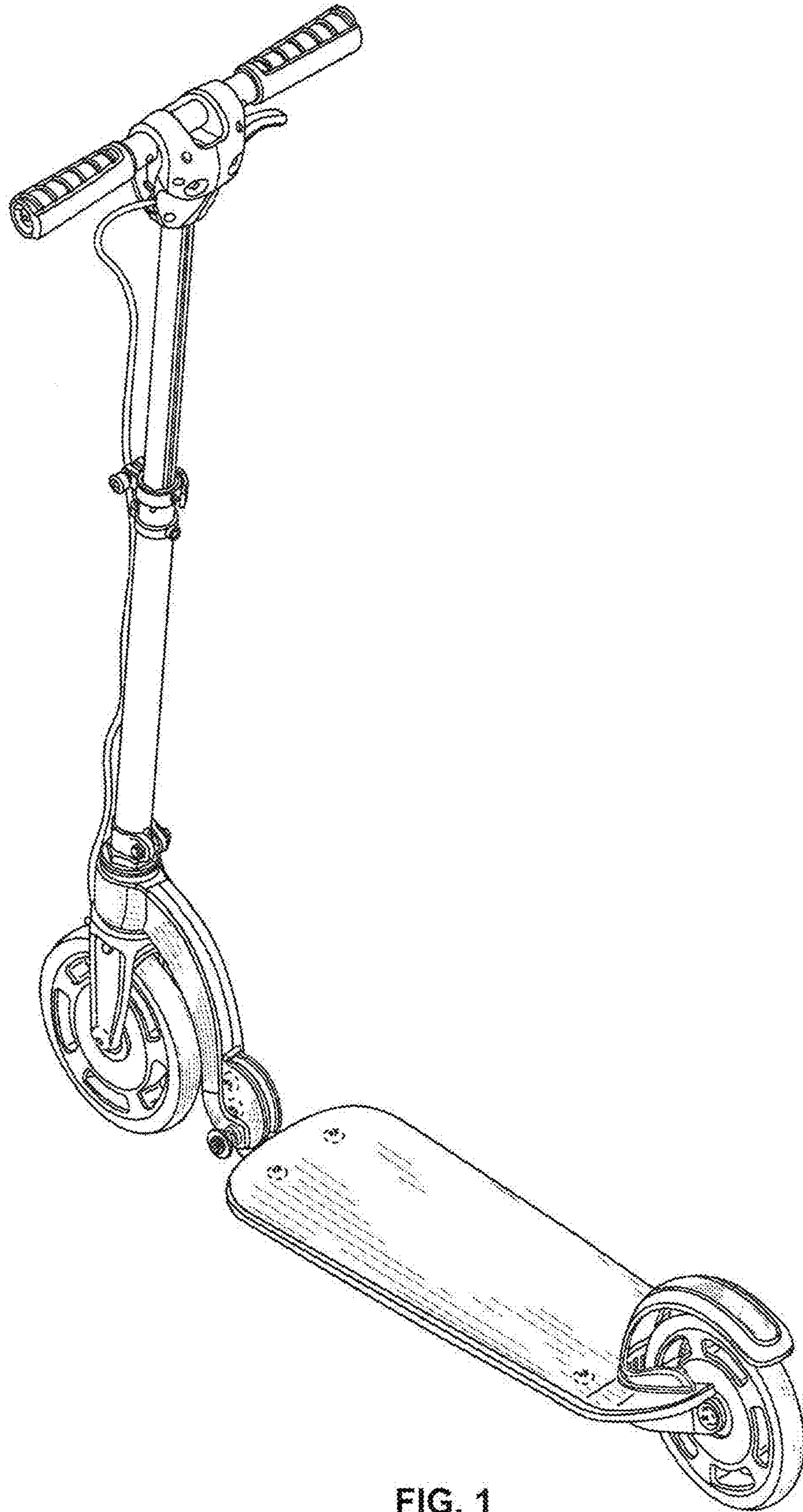


FIG. 1

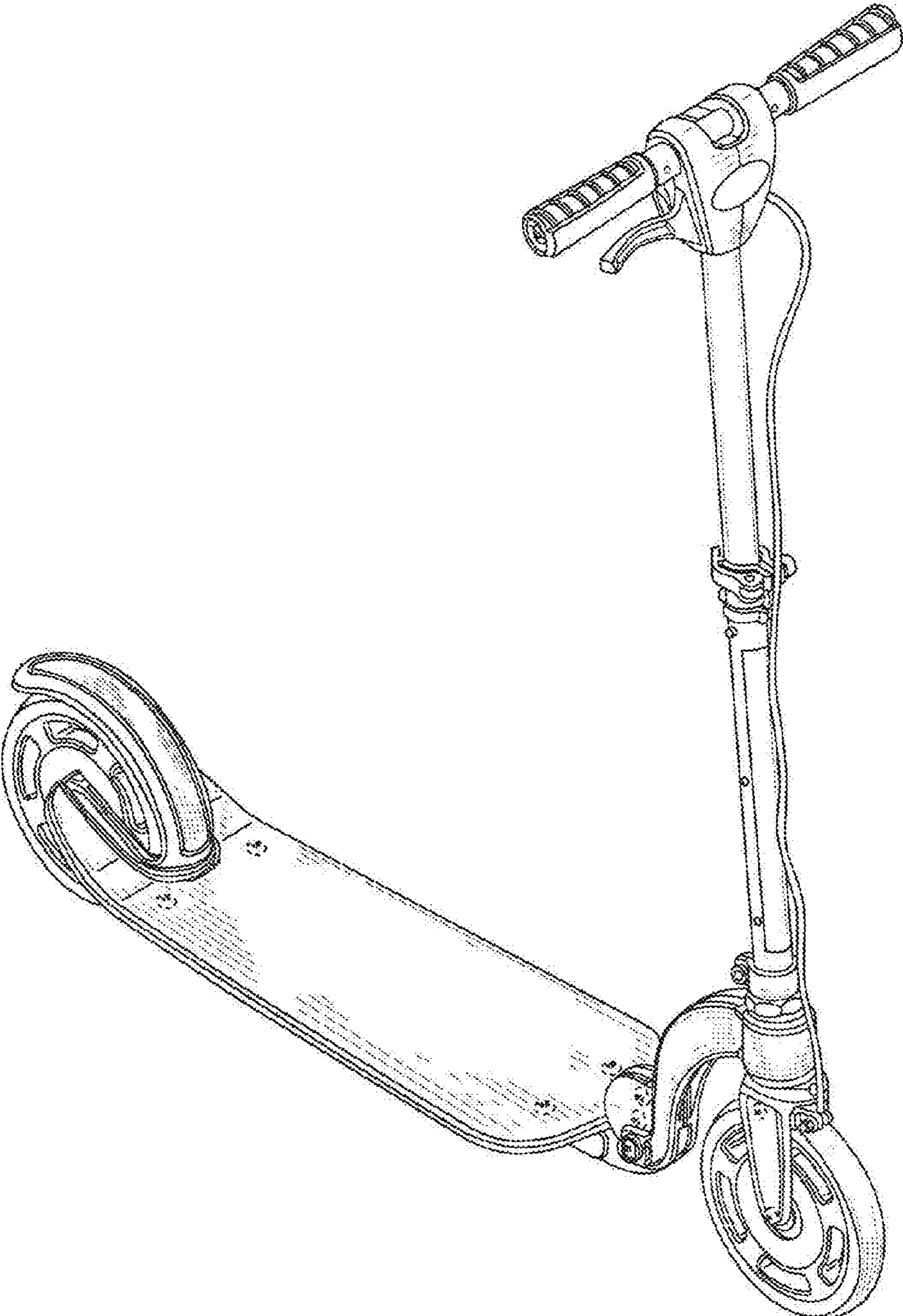


FIG. 2

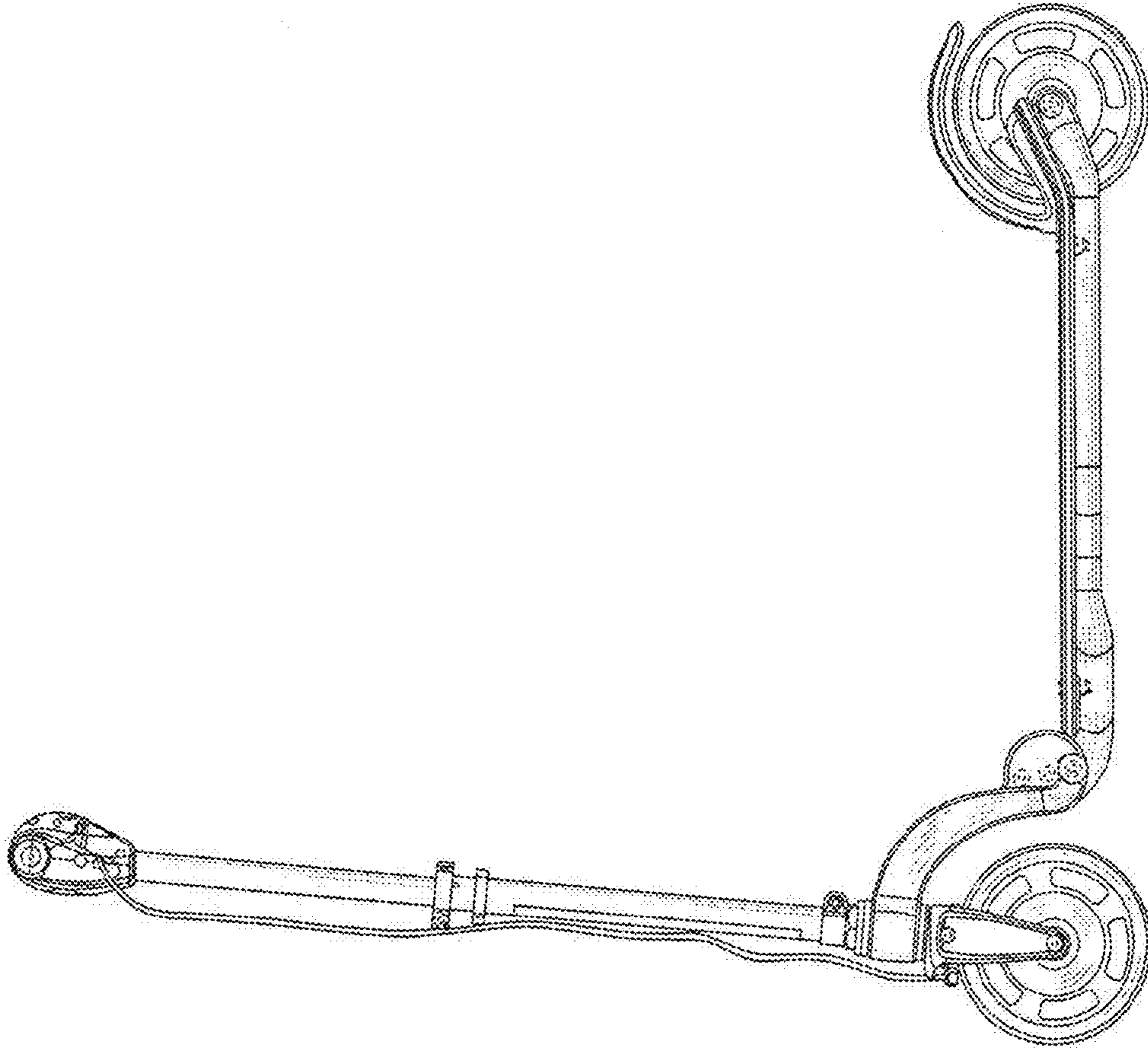


FIG. 3

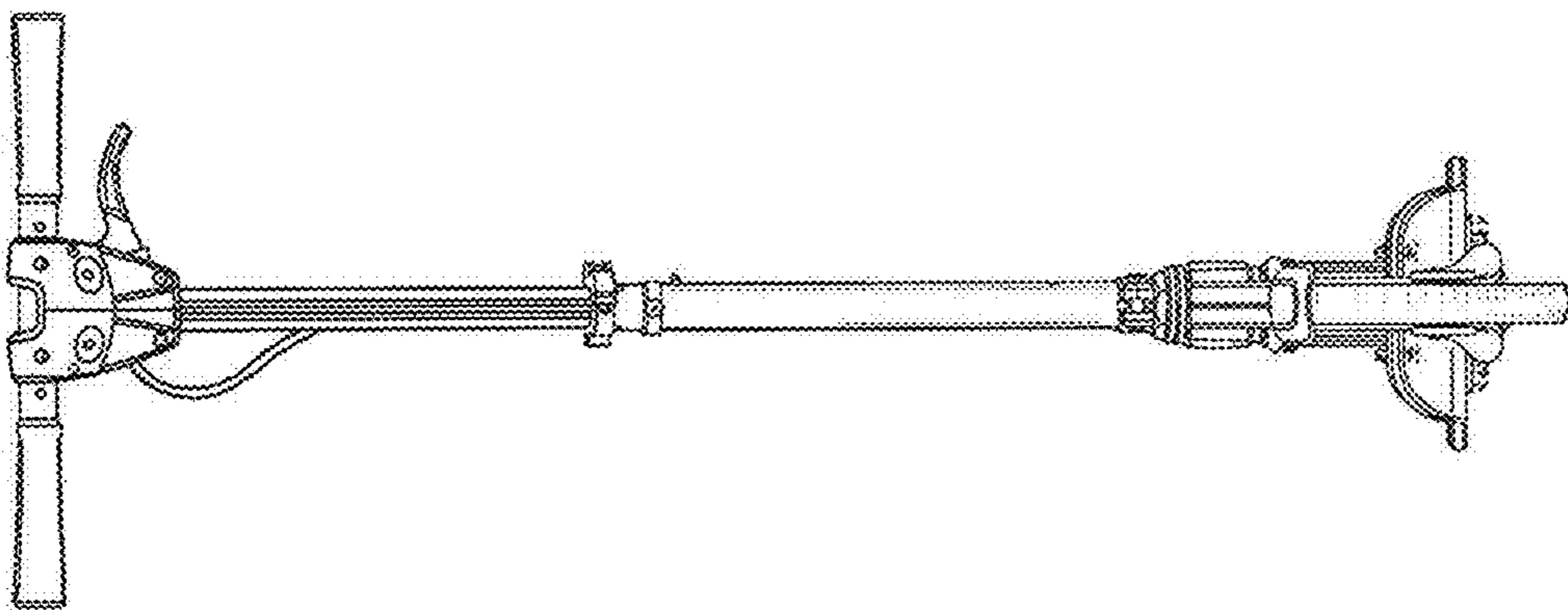


FIG. 4

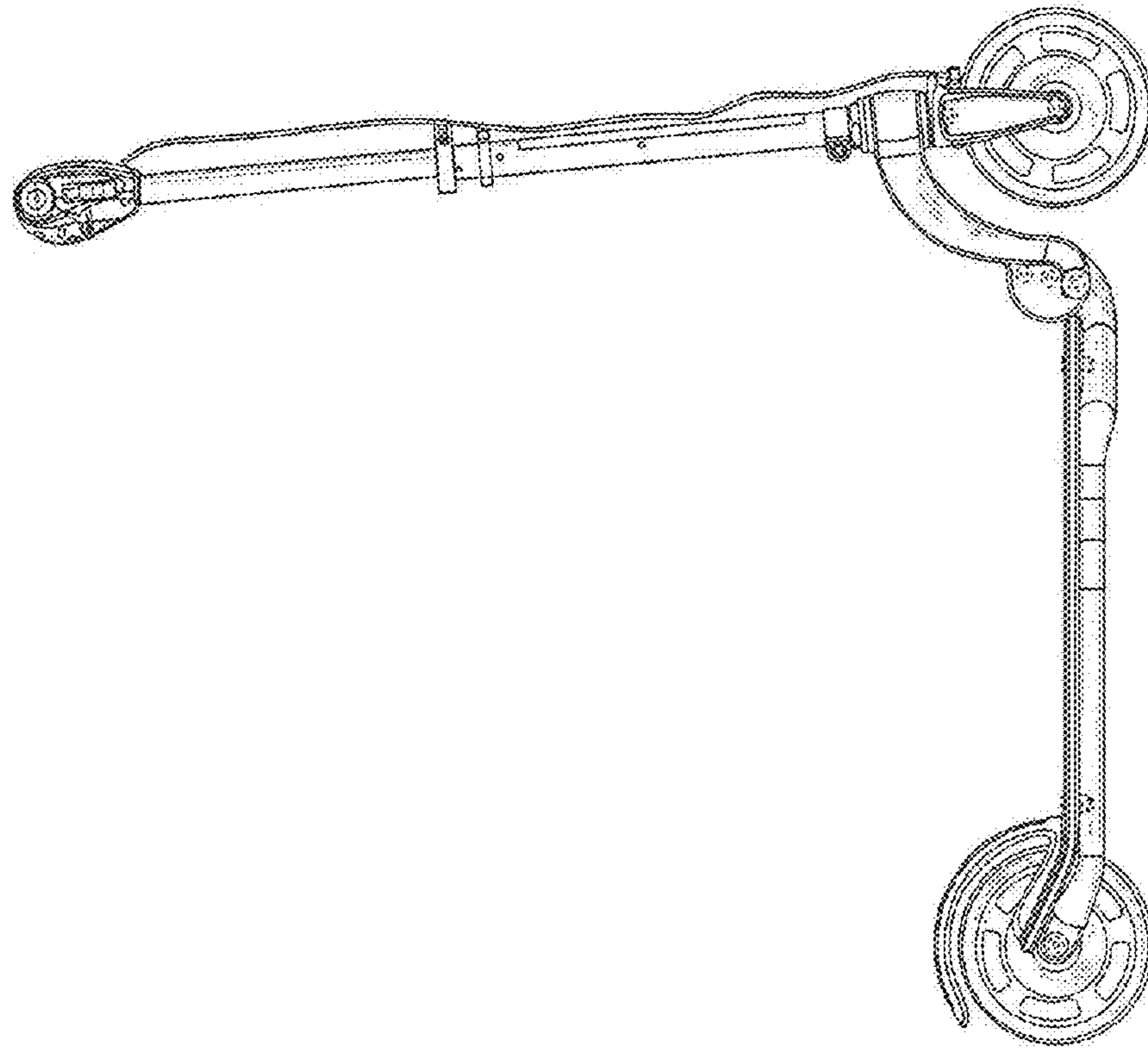


FIG. 6

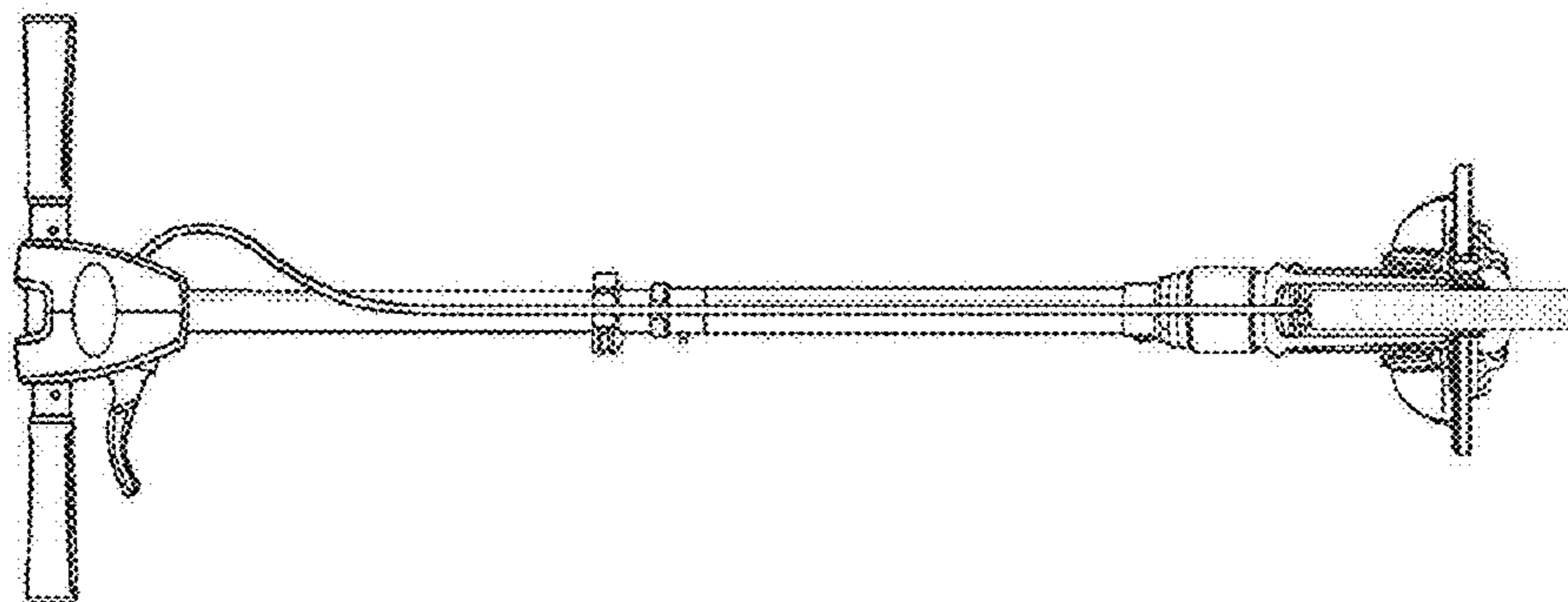


FIG. 5

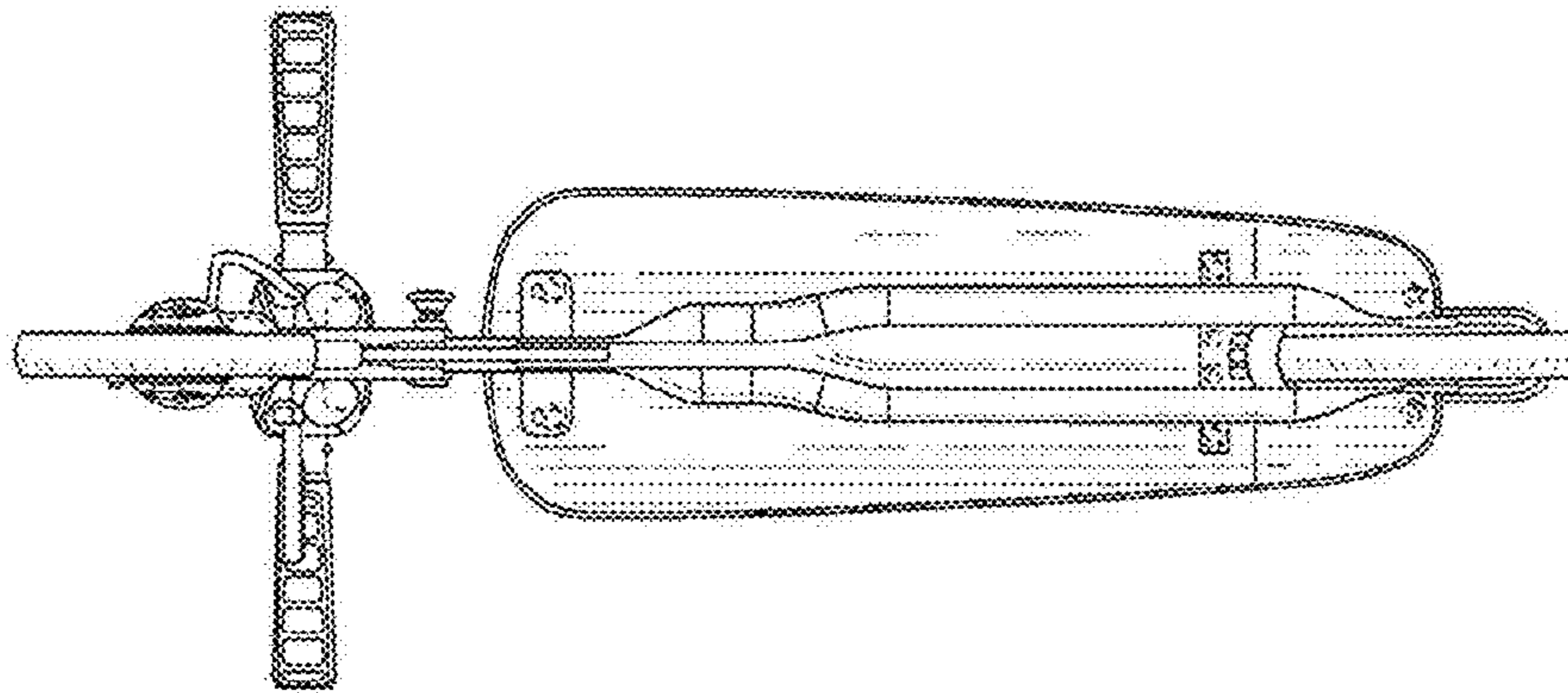


FIG. 7

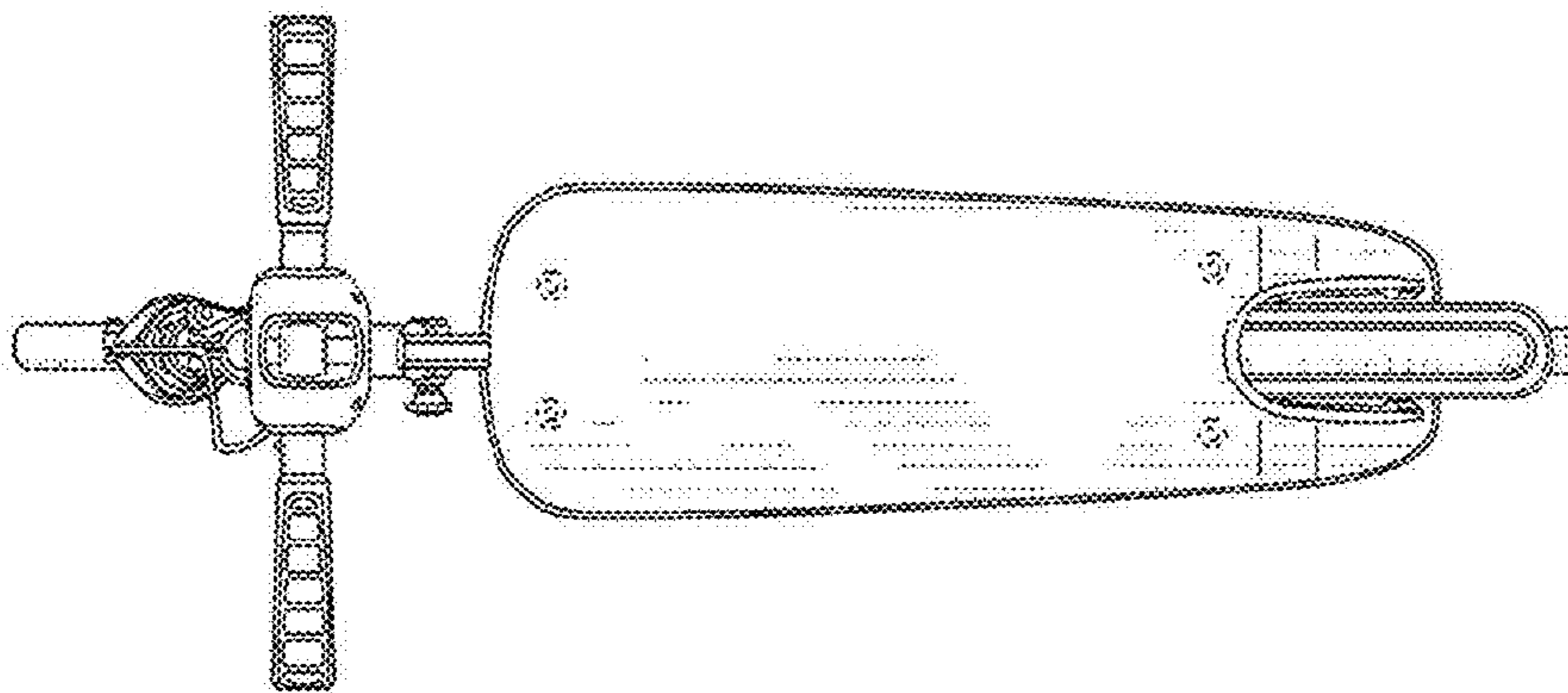


FIG. 8