



US00D645521S

(12) **United States Design Patent**
Ehara et al.

(10) **Patent No.:** **US D645,521 S**
(45) **Date of Patent:** **** Sep. 20, 2011**

(54) **PORTABLE ELECTRONIC COMPUTER**

(75) Inventors: **Yui Ehara**, Kyoto (JP); **Junichiro Miyatake**, Kyoto (JP); **Hiroki Goto**, Kyoto (JP); **Kochi Kawai**, Kyoto (JP); **Satoshi Ishibashi**, Kyoto (JP)

(73) Assignee: **Nintendo Co., Ltd.**, Kyoto (JP)

(**) Term: **14 Years**

(21) Appl. No.: **29/380,772**

(22) Filed: **Dec. 10, 2010**

(30) **Foreign Application Priority Data**

Jun. 11, 2010 (JP) 2010-014471

(51) **LOC (9) Cl.** **21-01**

(52) **U.S. Cl.** **D21/333; D21/330**

(58) **Field of Classification Search** D21/324,
D21/329, 330, 333; D14/496, 125; 273/148 B;
463/1, 2, 29-36, 45, 47; 345/156, 173, 867,
345/903; 361/679, 681, 672, 500
See application file for complete search history.

(56) **References Cited**

U.S. PATENT DOCUMENTS

D318,884 S	8/1991	Kojo	
D319,823 S	9/1991	Kojo	
D325,225 S	4/1992	Adhida	
5,168,423 A *	12/1992	Ohgami et al.	361/679.07
D347,450 S	5/1994	Nagata et al.	
D383,798 S	9/1997	Yokoi et al.	
D402,708 S *	12/1998	Tai	D21/330
5,873,554 A *	2/1999	Nobuchi	248/278.1
D416,291 S	11/1999	Sugino	
D452,280 S *	12/2001	Ota et al.	D21/329
D453,536 S	2/2002	Ota et al.	
6,498,721 B1 *	12/2002	Kim	361/679.06
6,587,333 B2 *	7/2003	Tseng et al.	361/679.05
D484,918 S	1/2004	Okada et al.	
D484,958 S *	1/2004	Loberger et al.	D23/308
6,771,494 B2 *	8/2004	Shimano	361/679.06
D523,238 S	6/2006	Miyamoto et al.	

D524,870 S	7/2006	Sugino et al.	
D532,051 S	11/2006	Sugino et al.	
D554,195 S	10/2007	Kawanobe et al.	
D555,667 S *	11/2007	Hussaini et al.	D14/496
D556,759 S	12/2007	Kawanobe et al.	
D568,884 S	5/2008	Kawanobe et al.	
D603,363 S *	11/2009	Choi et al.	D14/138 AB

OTHER PUBLICATIONS

U.S. Appl. No. 29/380,743, filed Dec. 11, 2010; pending.
U.S. Appl. No. 29/384,964, filed Feb. 7, 2011 (pending).

* cited by examiner

Primary Examiner — Prabhakar Deshmukh

(74) *Attorney, Agent, or Firm* — Nixon & Vanderhye, P.C.

(57) **CLAIM**

The ornamental design for a portable electronic computer, as shown by solid lines and described.

DESCRIPTION

FIG. 1 is front, bottom and right perspective view of a portable electronic computer showing our new design, a lid with display being opened;
FIG. 2 is rear, top and left perspective view thereof;
FIG. 3 is a front view thereof;
FIG. 4 is a rear view thereof;
FIG. 5 is a top plan view thereof;
FIG. 6 is a bottom plan view thereof;
FIG. 7 is a left side view thereof;
FIG. 8 is a right side view thereof;
FIG. 9 is a front, bottom and right perspective view of thereof, the lid with display being closed;
FIG. 10 is a front view thereof;
FIG. 11 is a rear plan view thereof;
FIG. 12 is a top plan view thereof;
FIG. 13 is a bottom plan view thereof;
FIG. 14 is a left side view thereof; and,
FIG. 15 is a right side view thereof.

The broken lines depicting disclaimed portions are for illustrative purpose only and form no part of the claimed design.

1 Claim, 6 Drawing Sheets

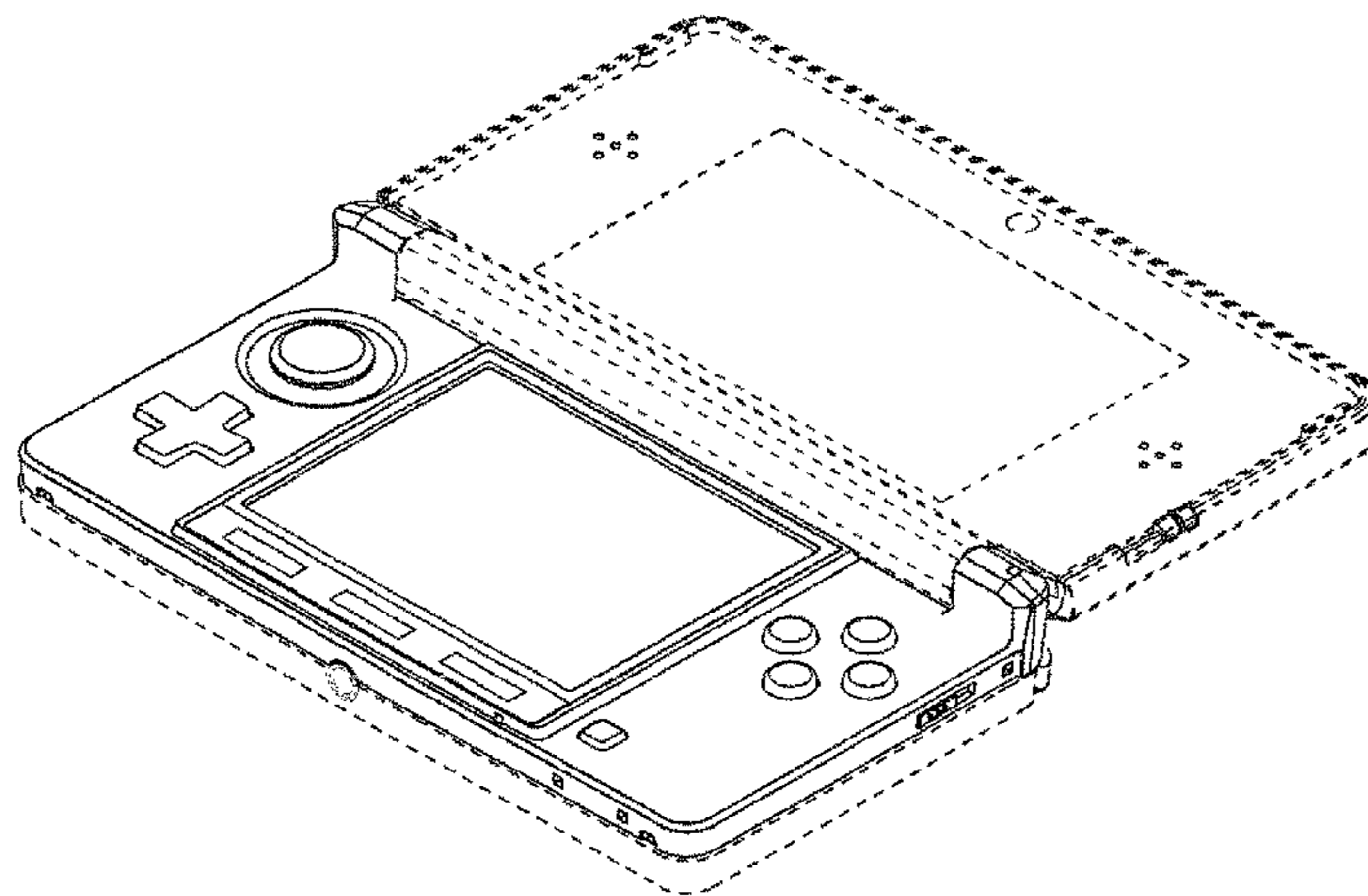


FIG. 1

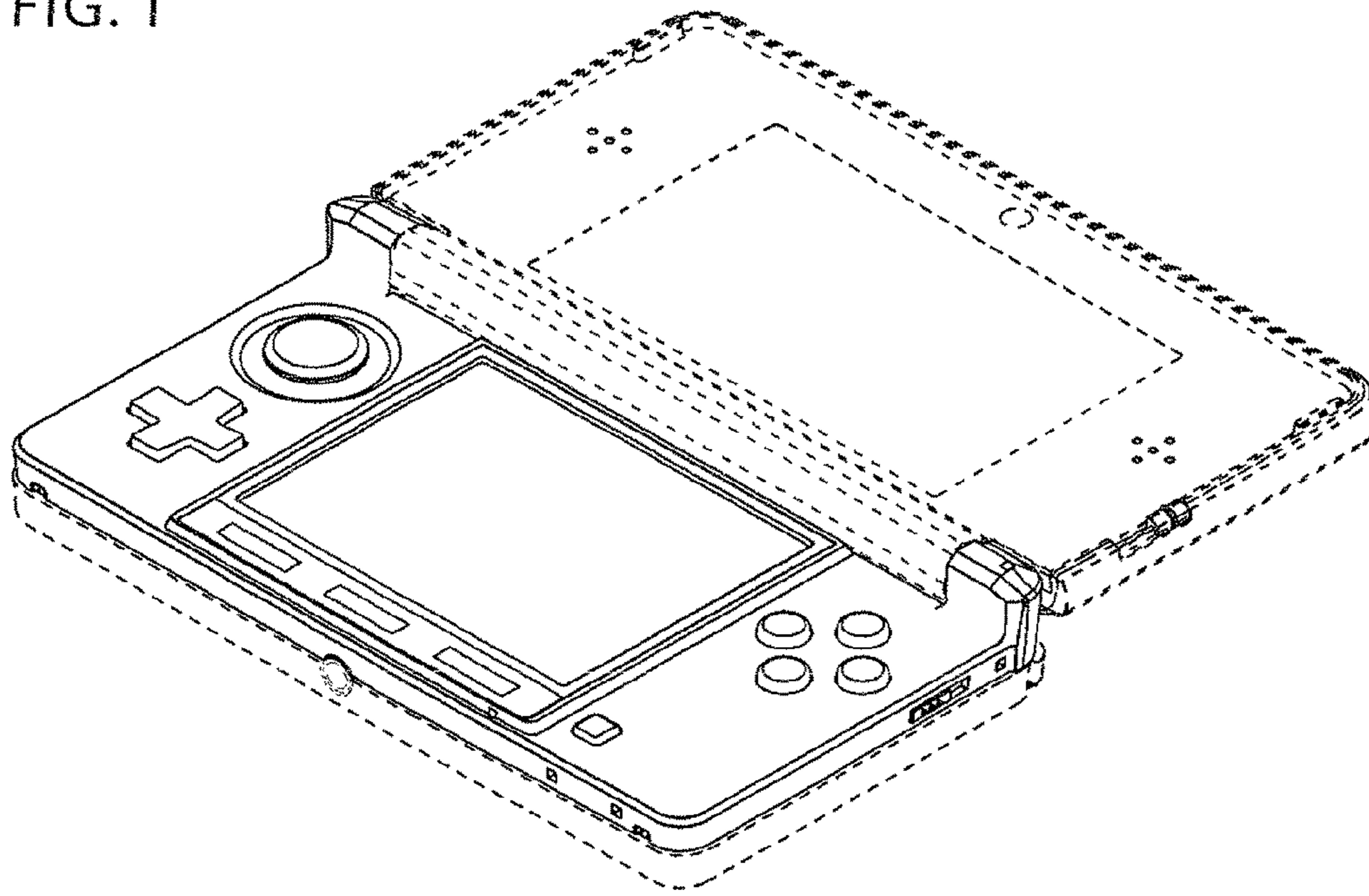


FIG. 2

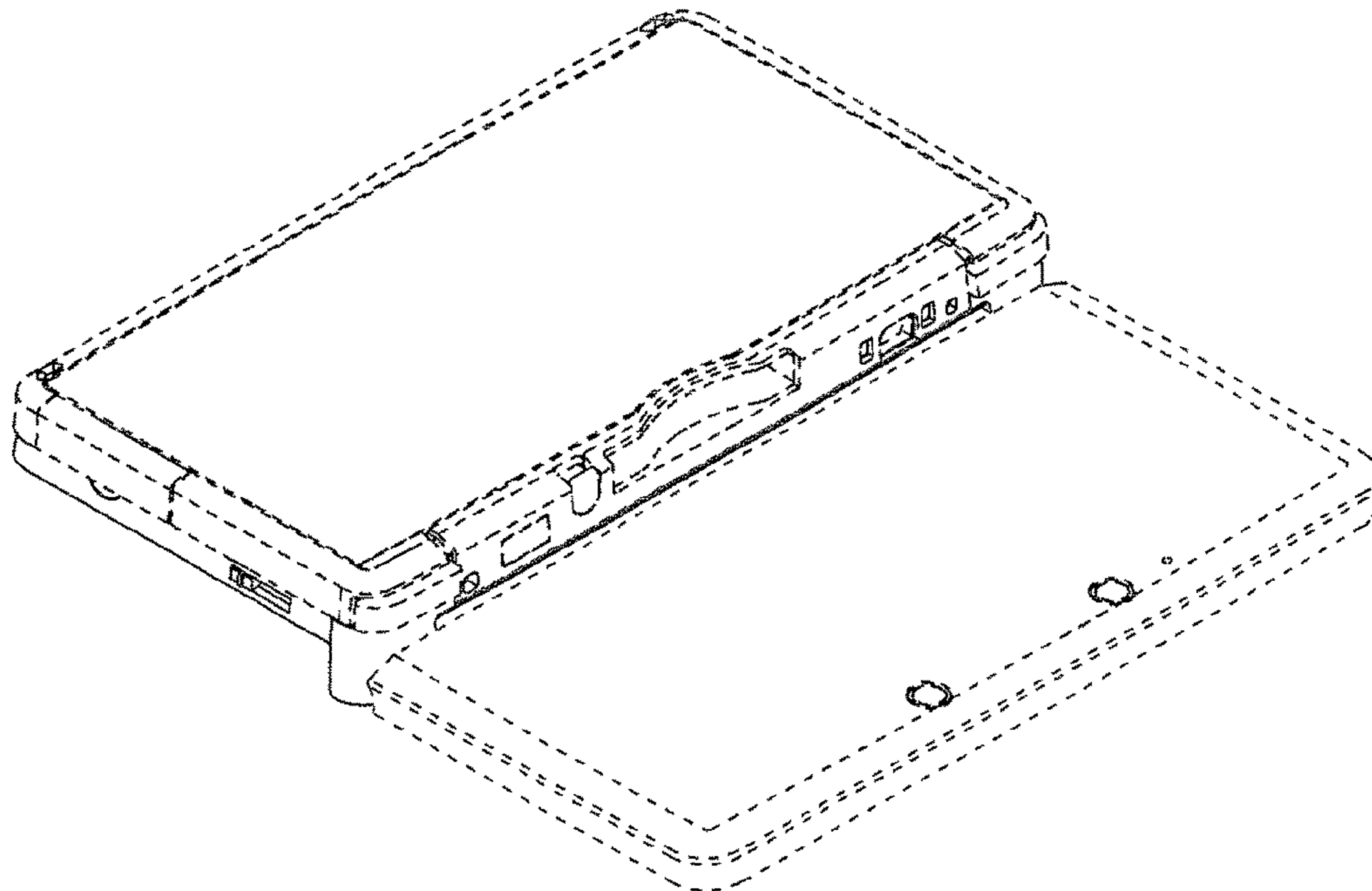


FIG. 3

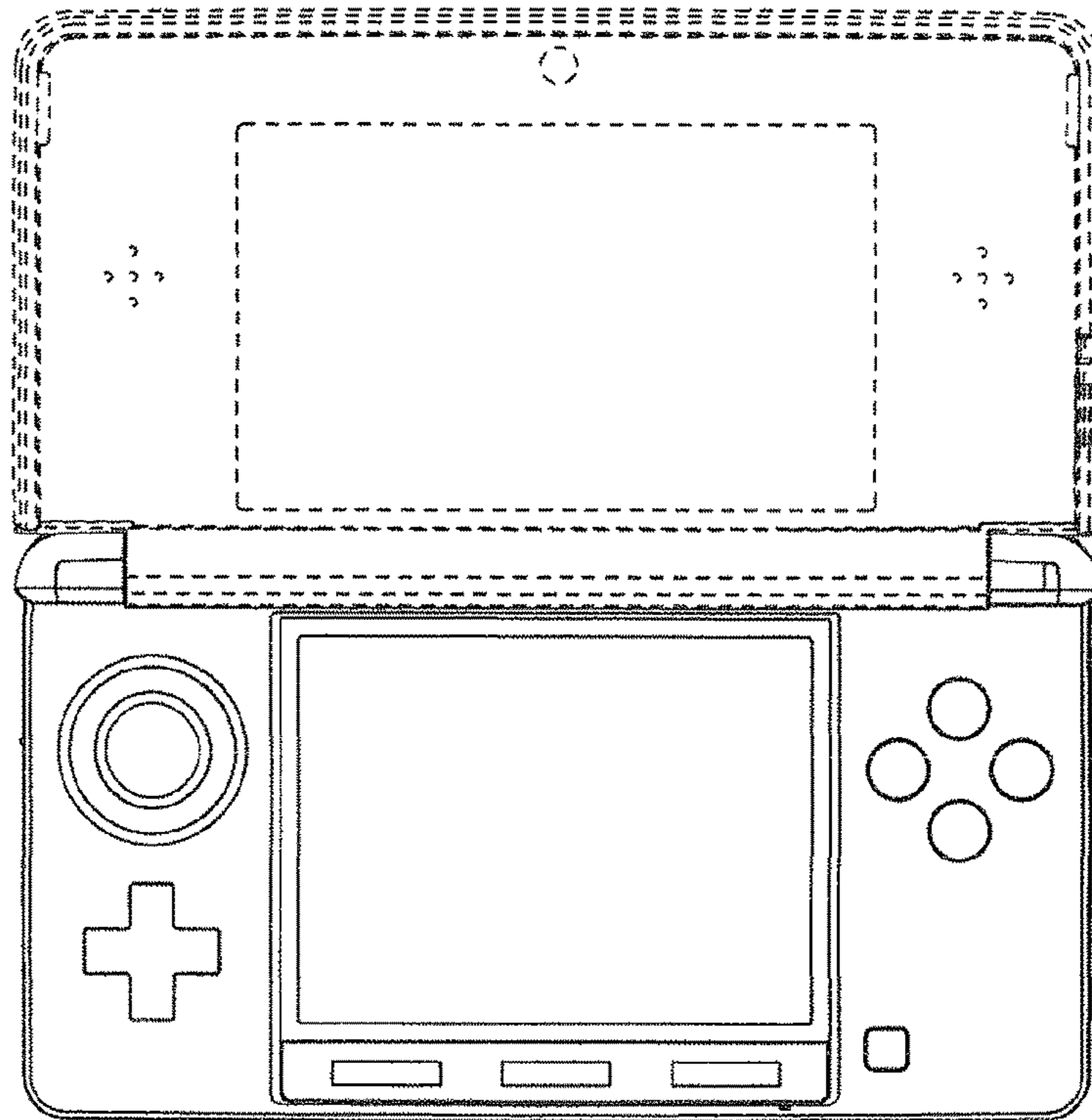


FIG. 4

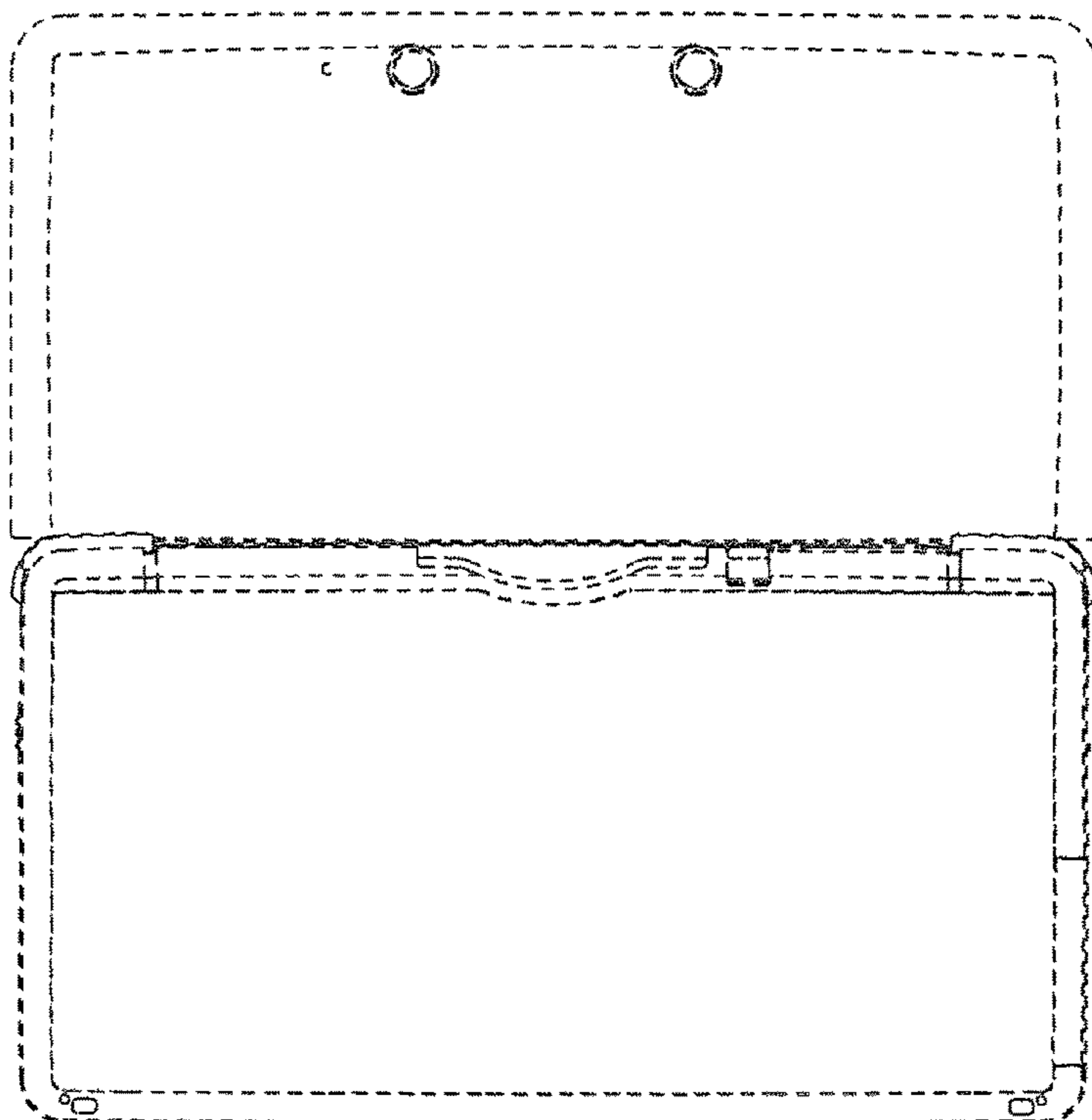


FIG. 5

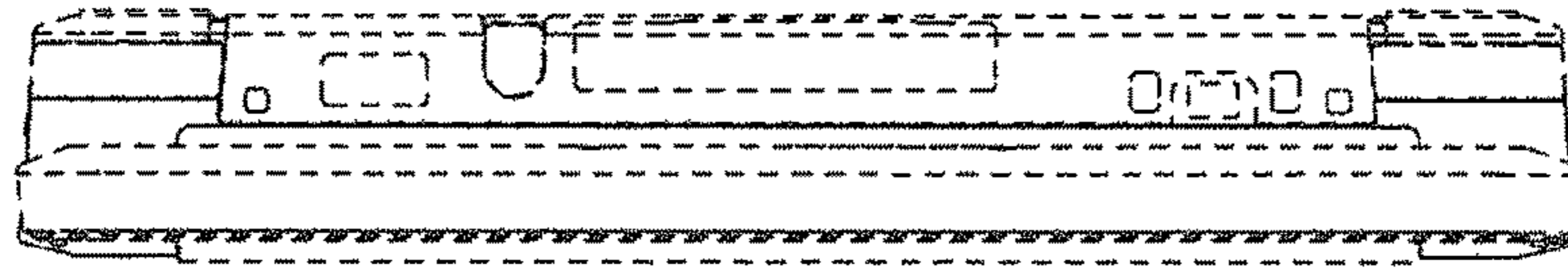


FIG. 6

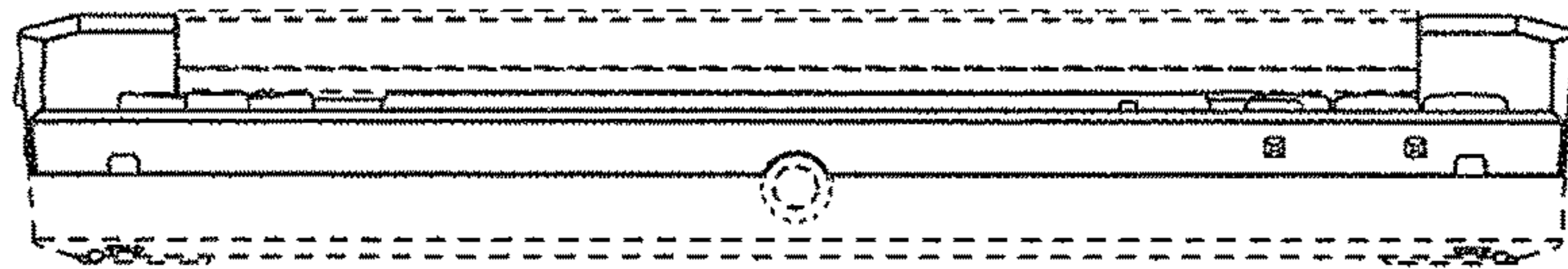


FIG. 7

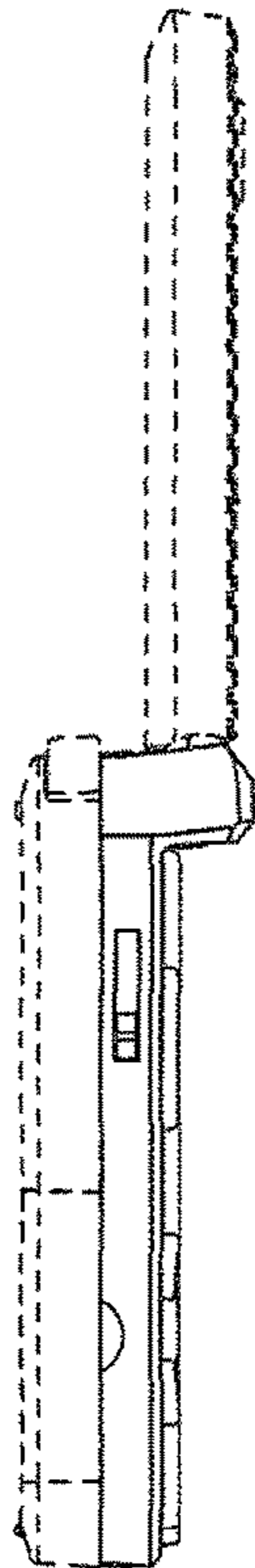


FIG. 8

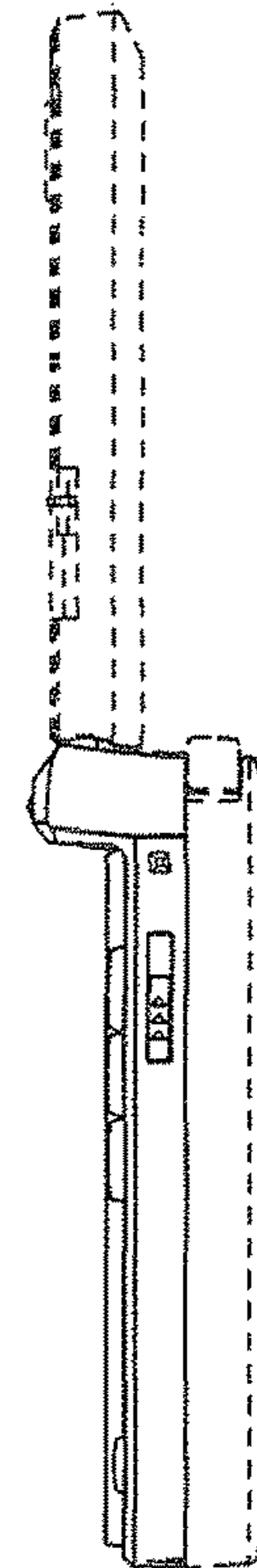


FIG. 9

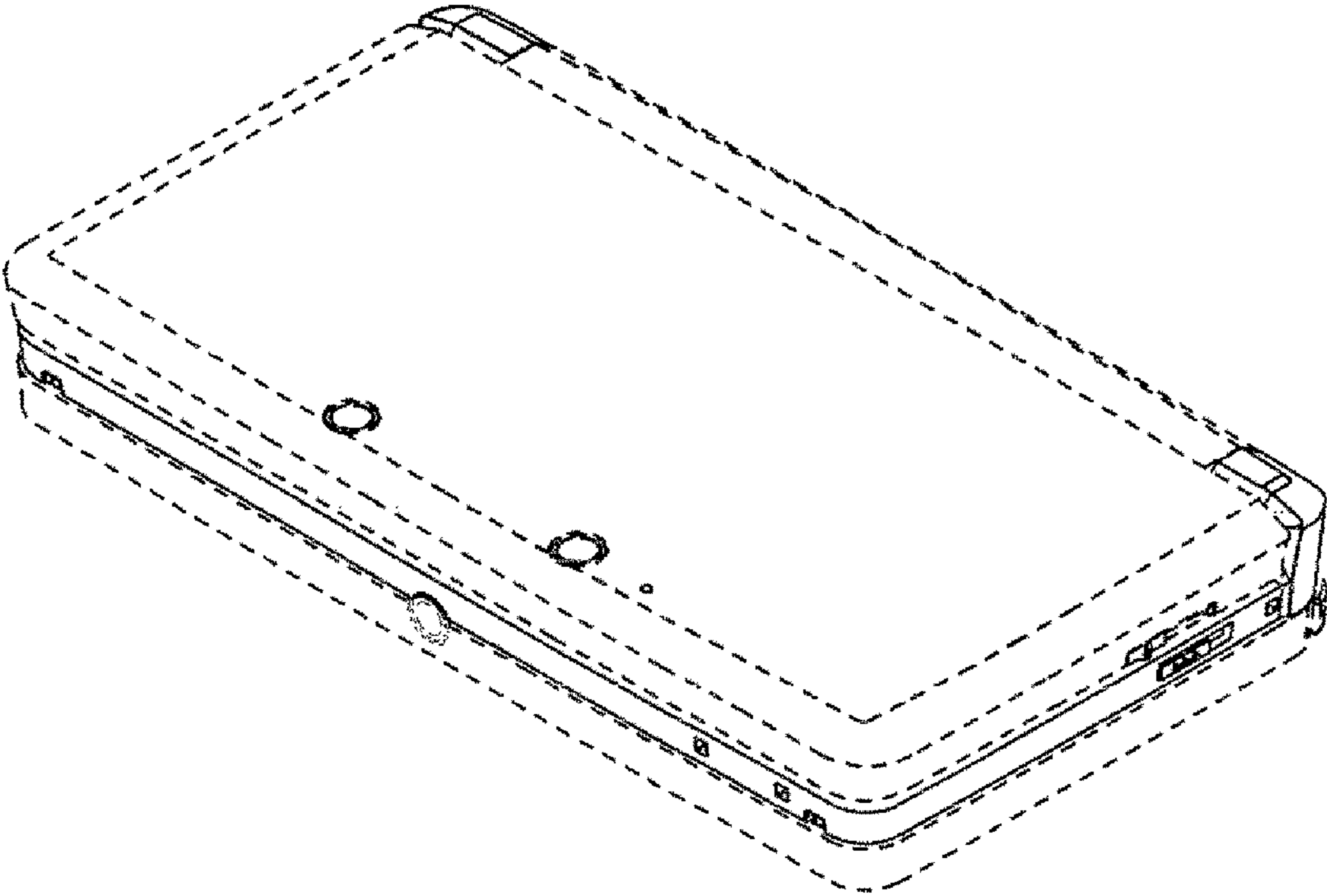


FIG. 10

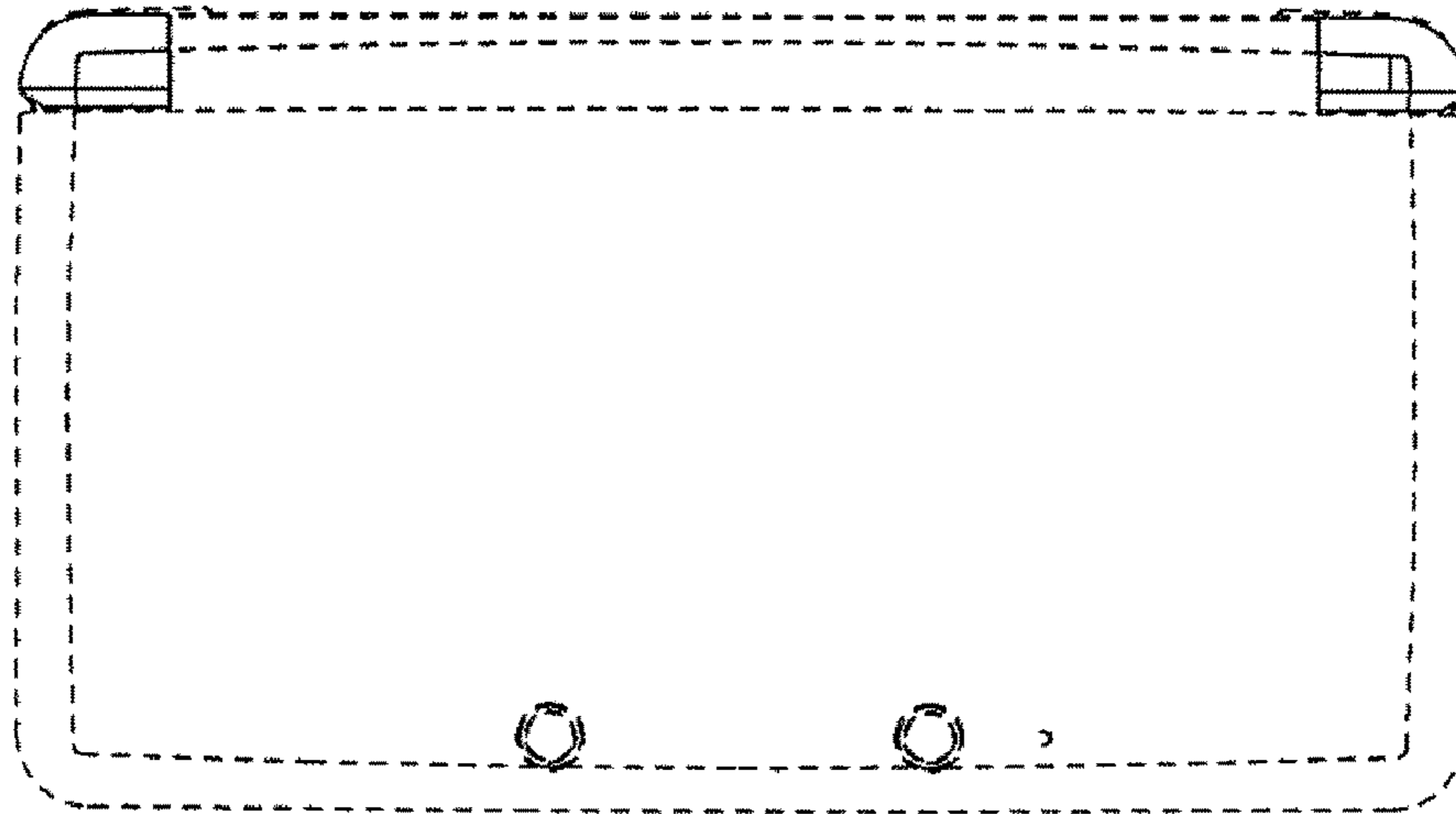


FIG. 11

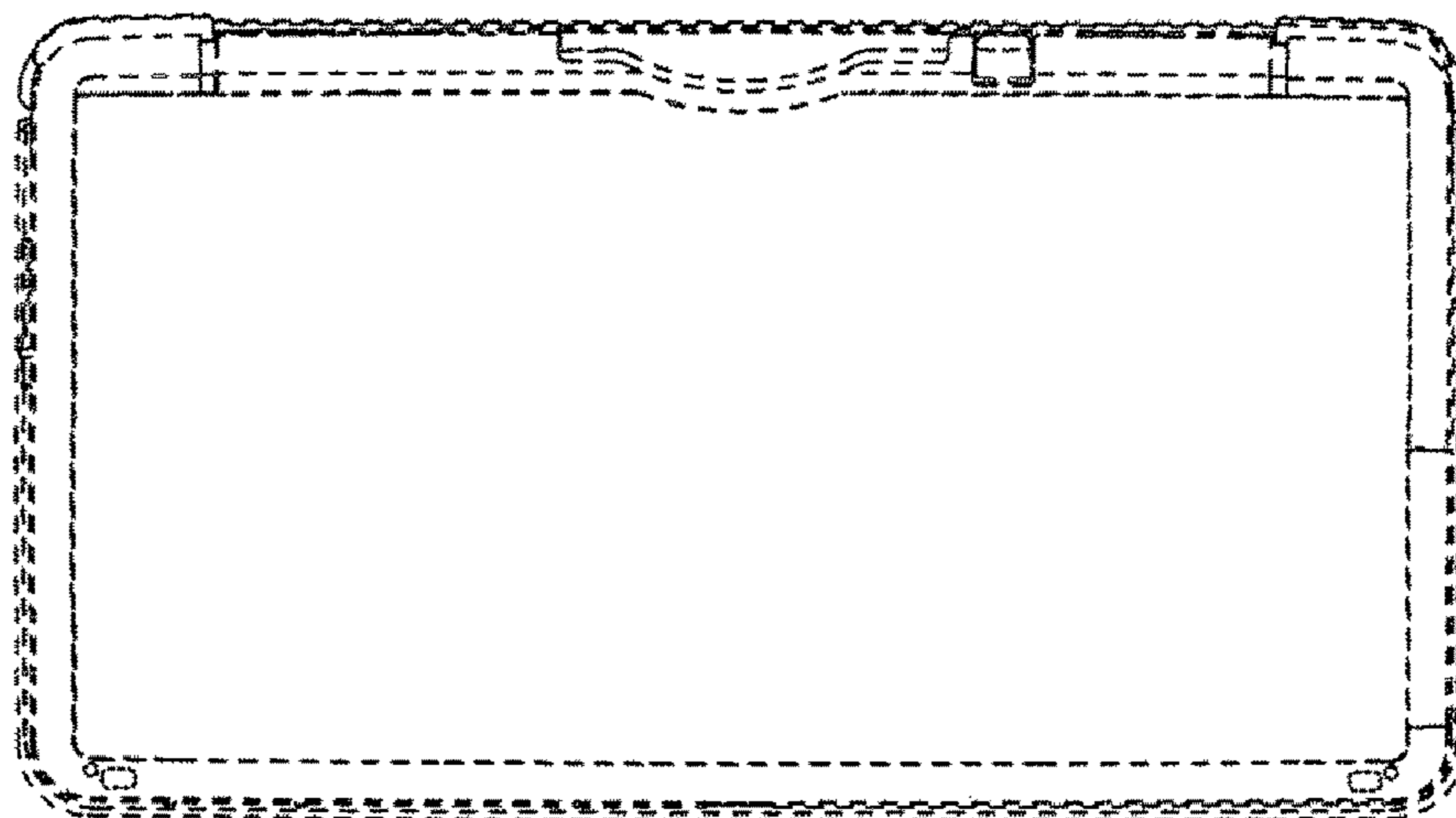


FIG. 12

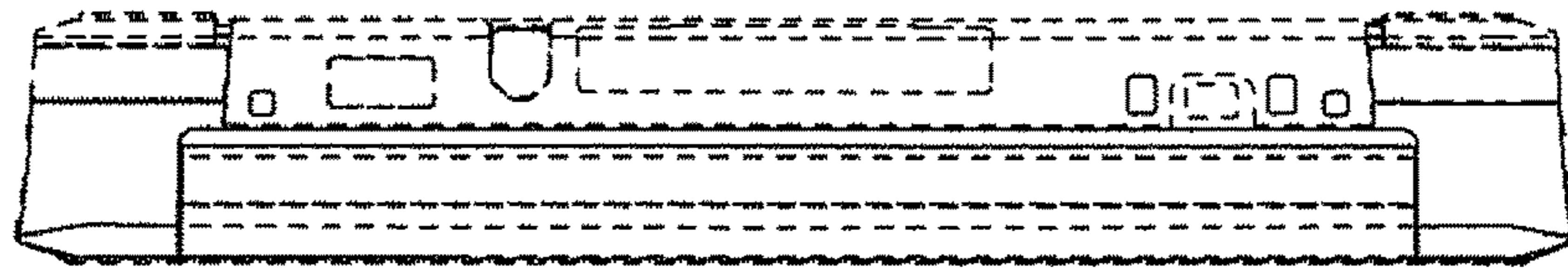


FIG. 13

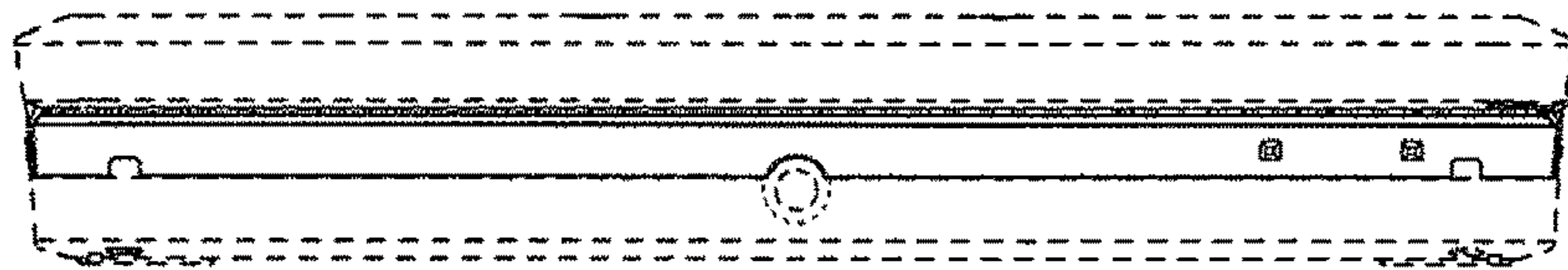


FIG. 14

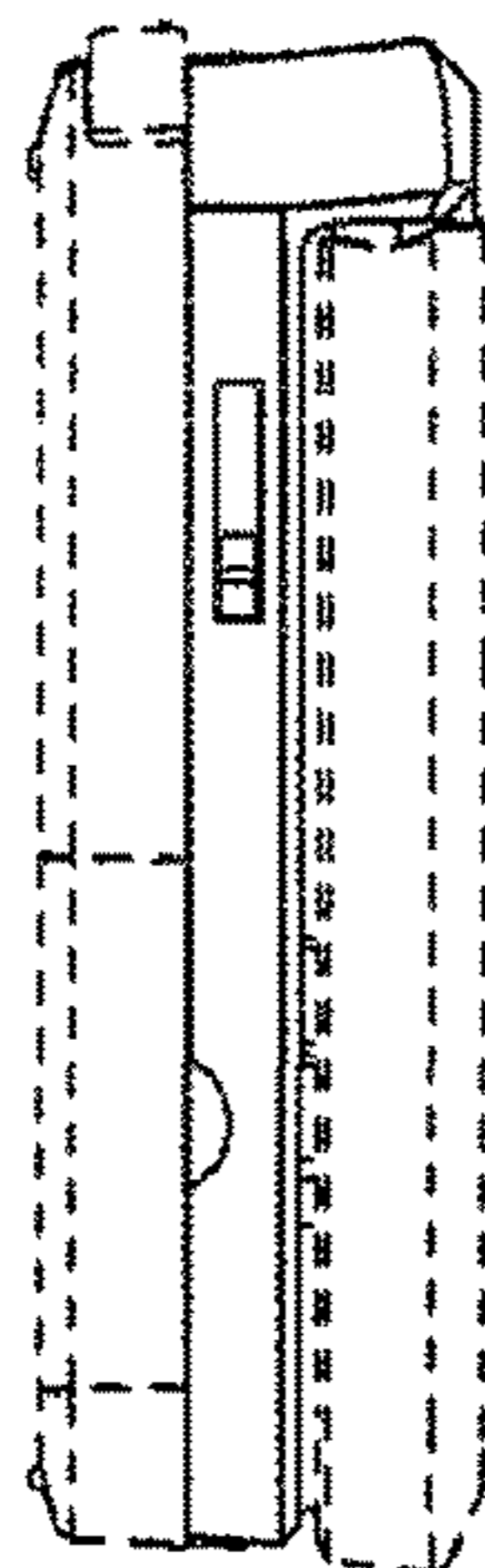


FIG. 15

