



US00D645520S

(12) **United States Design Patent**
Dahl

(10) **Patent No.:** **US D645,520 S**

(45) **Date of Patent:** **** Sep. 20, 2011**

(54) **BASEBALL-THEMED BEANBAG TOSS GAME**

(75) Inventor: **Ronald E. Dahl**, Waunakee, WI (US)

(73) Assignee: **Market Mail LLC**, Waunakee, WI (US)

(**) Term: **14 Years**

(21) Appl. No.: **29/375,180**

(22) Filed: **Sep. 17, 2010**

(51) **LOC (9) Cl.** **21-01**

(52) **U.S. Cl.** **D21/303**

(58) **Field of Classification Search** D21/330-303,
D21/385, 386, 390; 273/348, 398-402, 407,
273/127 R; 473/569, 587, 588.593, 594

See application file for complete search history.

(56) **References Cited**

U.S. PATENT DOCUMENTS

2,254,986	A *	9/1941	Ziel	473/454
3,003,767	A *	10/1961	Keuls	273/138.1
D243,262	S *	2/1977	Laut	D21/303
D330,227	S *	10/1992	Franklin et al.	D21/303
D334,777	S *	4/1993	Caravella	D21/303
5,536,007	A *	7/1996	Snyder	273/118 R
D401,308	S *	11/1998	D'Emidio	D21/303
D600,236	S *	9/2009	Sanguinetti et al.	D14/223
7,775,525	B2 *	8/2010	Staver et al.	273/317.5

OTHER PUBLICATIONS

MLB Advanced Media, L.P., Bean Bag Toss Games, shp.mlb.com, printed Nov. 18, 2010.

* cited by examiner

Primary Examiner — Prabhakar Deshmukh

(74) *Attorney, Agent, or Firm* — Lathrop & Clark LLP

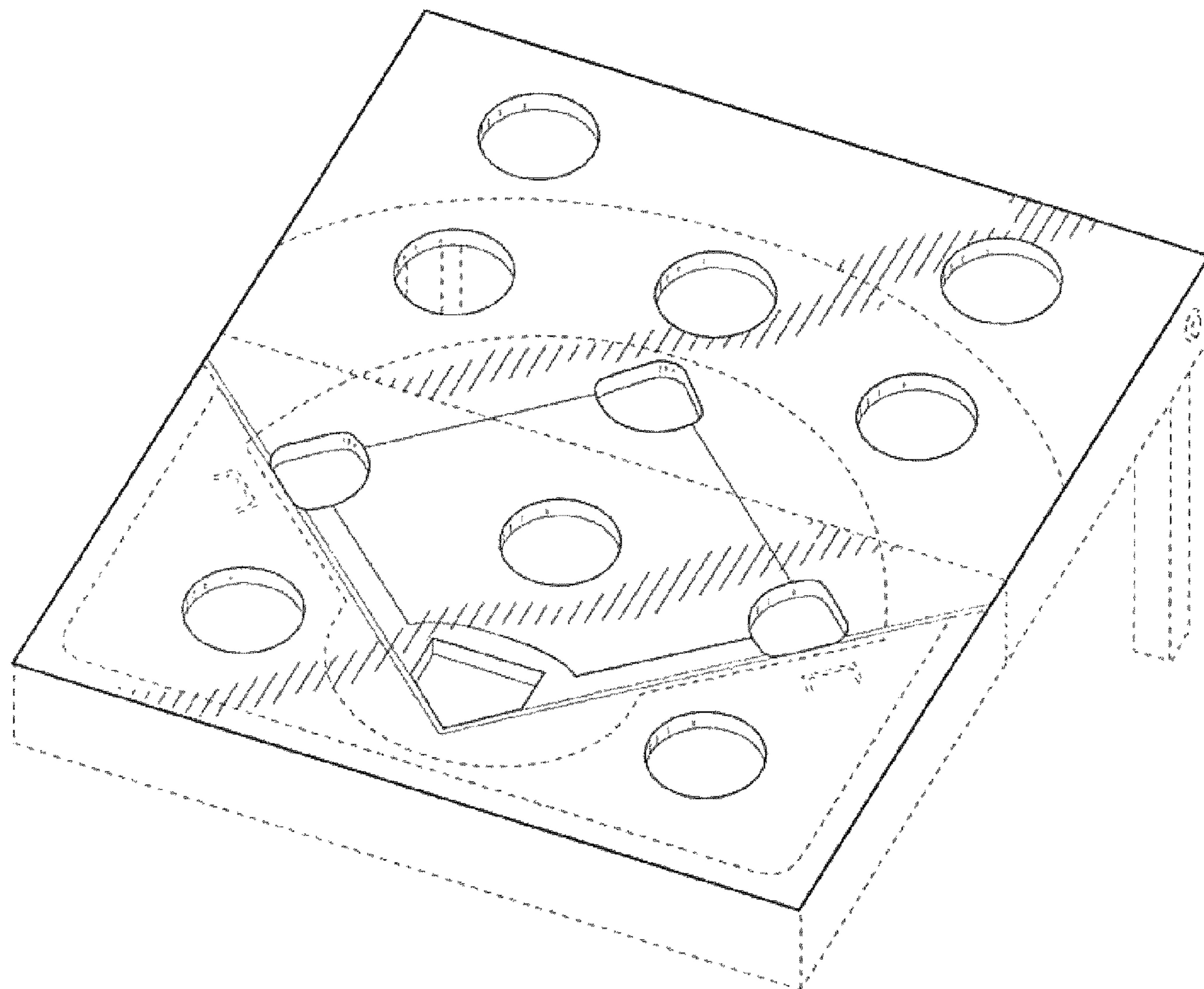
(57) **CLAIM**

The ornamental design for a baseball-themed beanbag toss game, as shown and described.

DESCRIPTION

FIG. 1 is a top perspective view of a baseball-themed beanbag toss game showing my new design; FIG. 2 is a top plan view thereof; FIG. 3 is a bottom plan view thereof; FIG. 4 is a left side view thereof; FIG. 5 is a right side view thereof; FIG. 6 is a front side view thereof; and, FIG. 7 is a rear side view thereof. The broken lines shown in FIGS. 1 to 7 are for illustrative purposes only, and form no part of the claimed design.

1 Claim, 5 Drawing Sheets



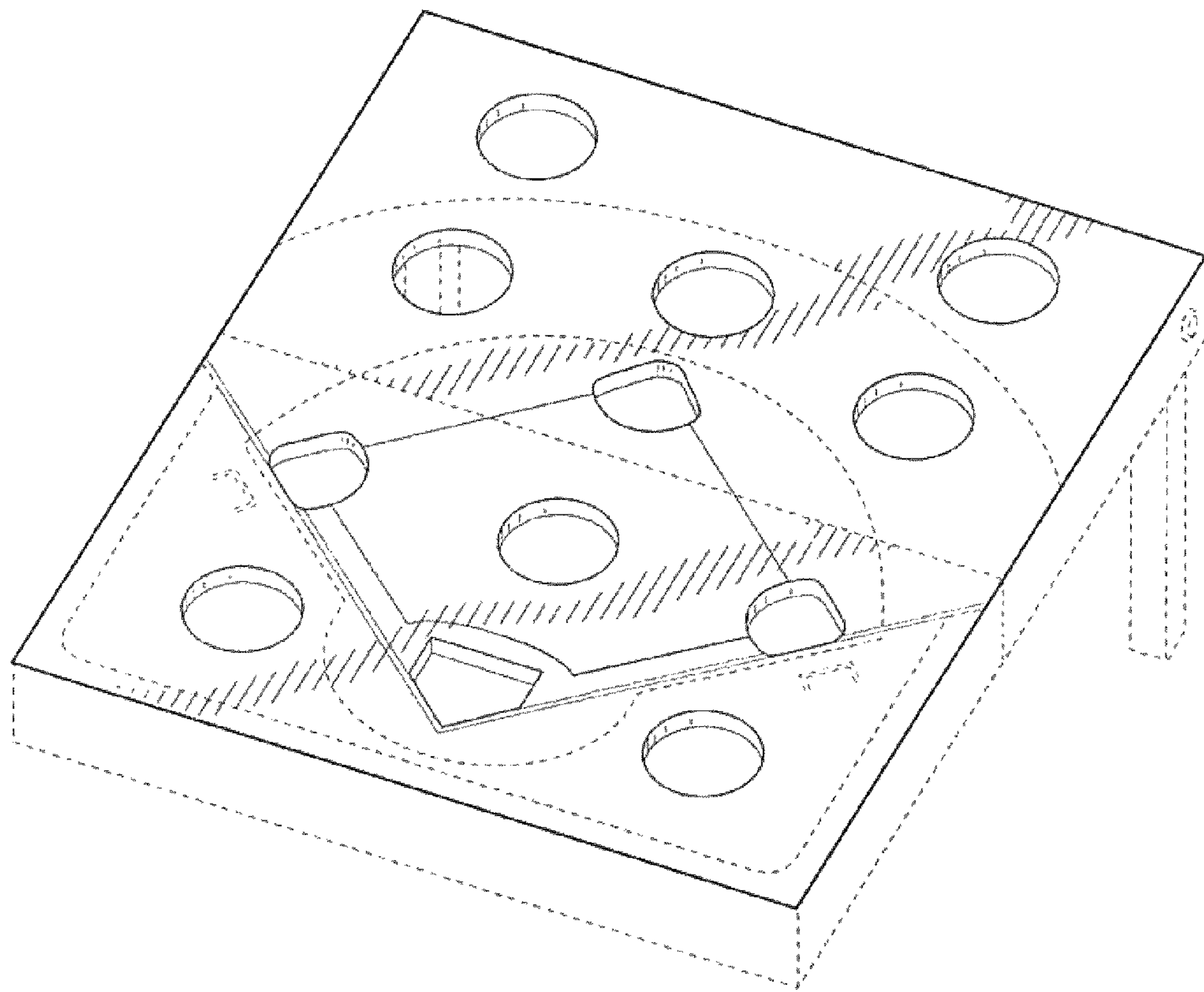


FIG. 1

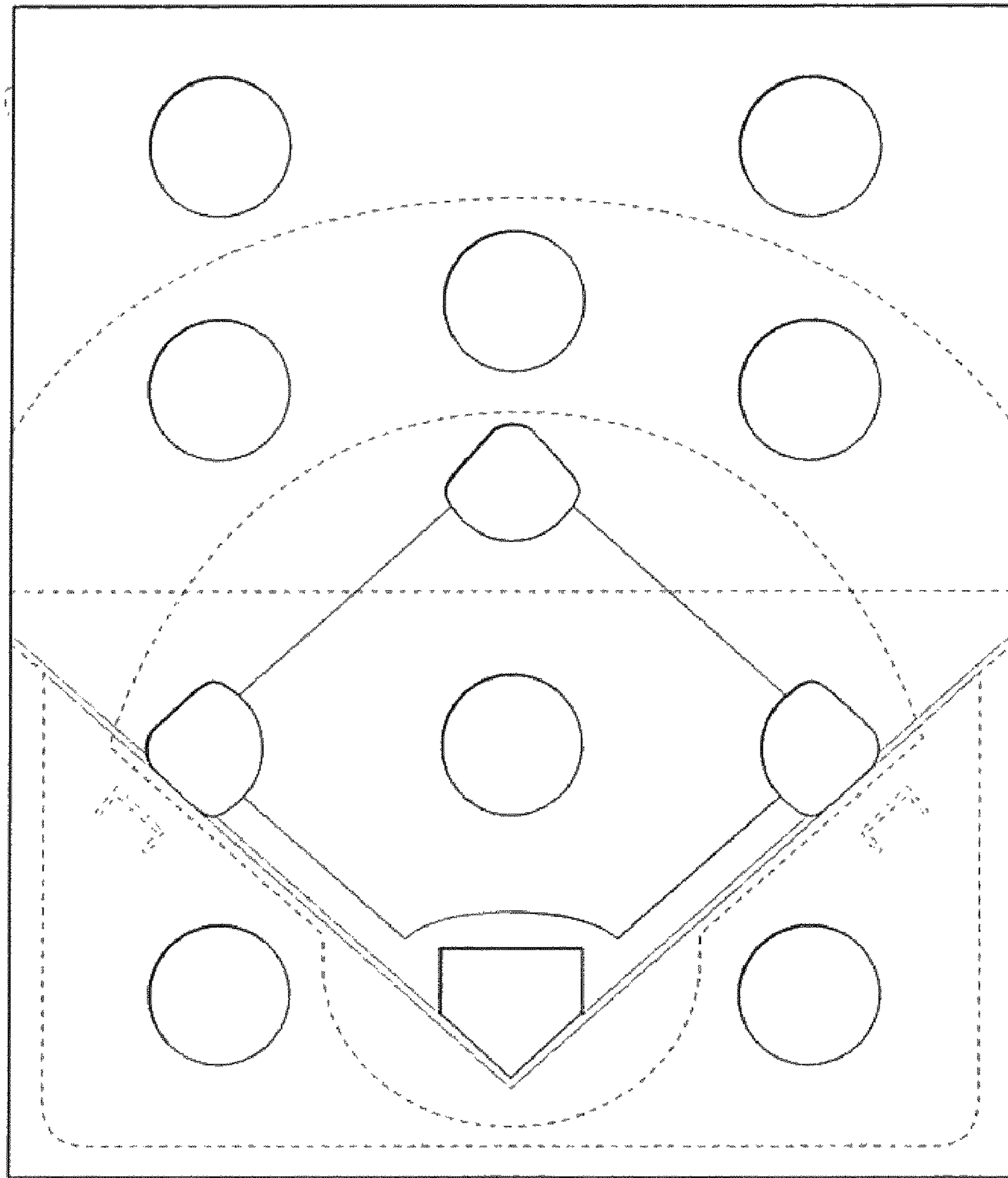


FIG. 2

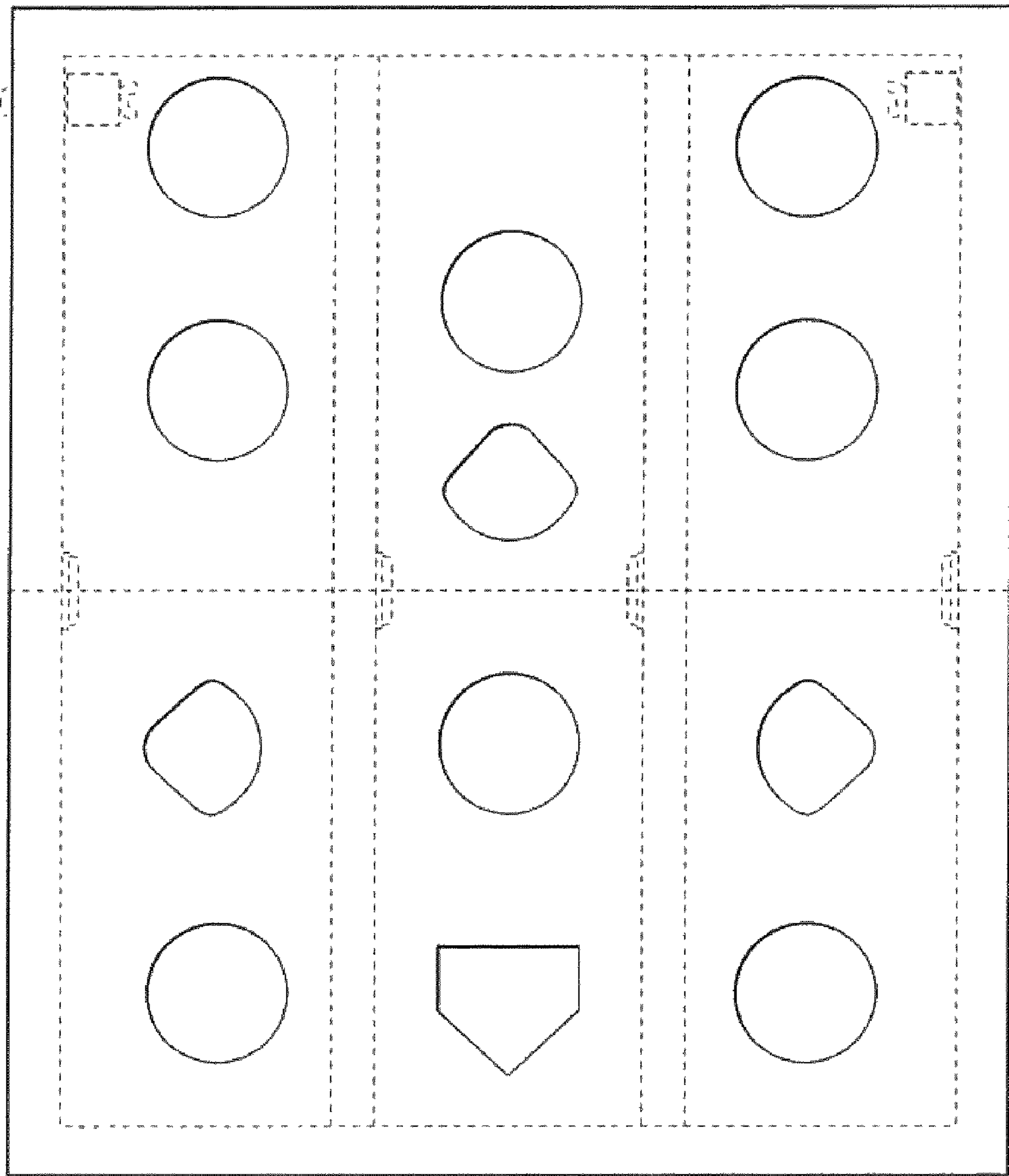


FIG. 3

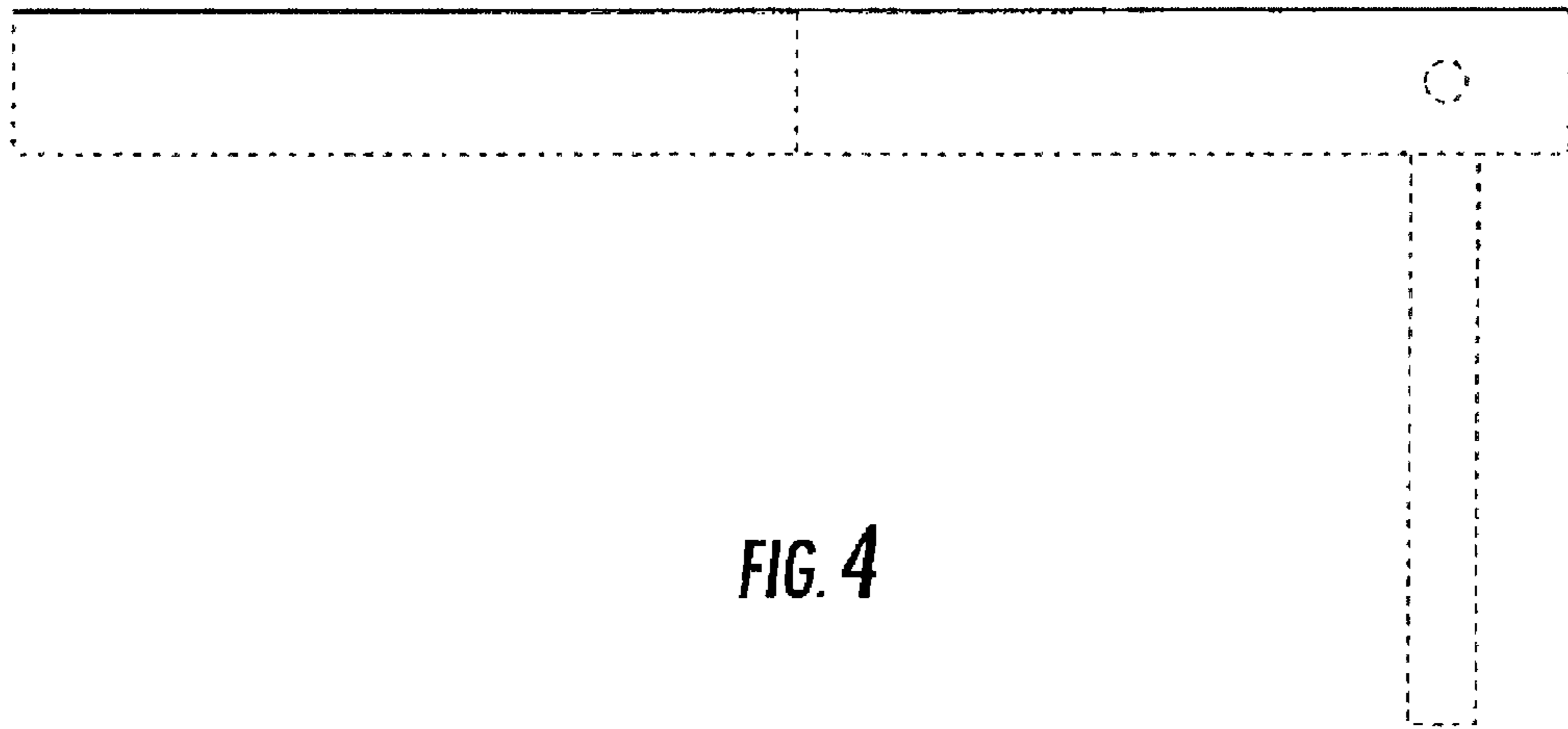


FIG. 4

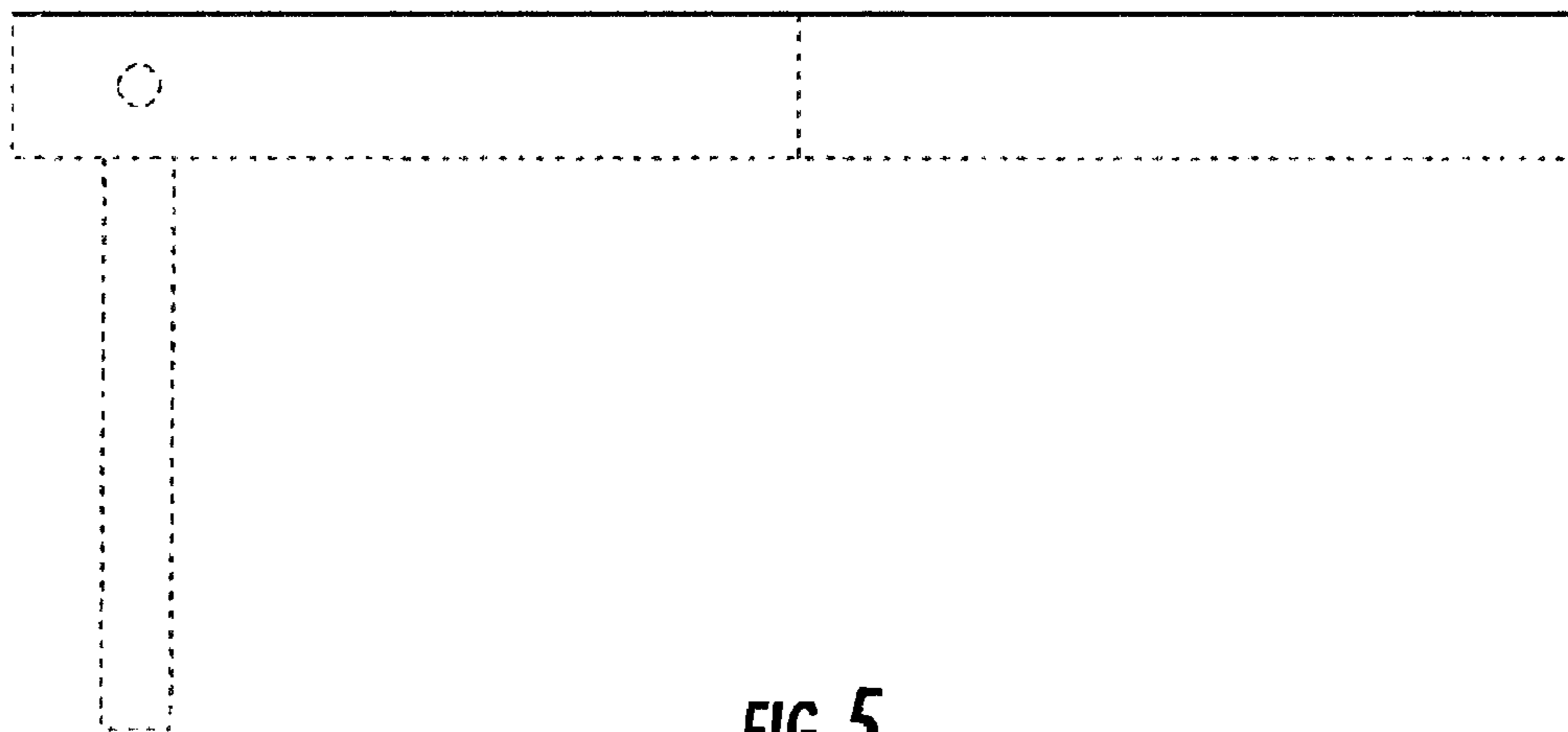


FIG. 5

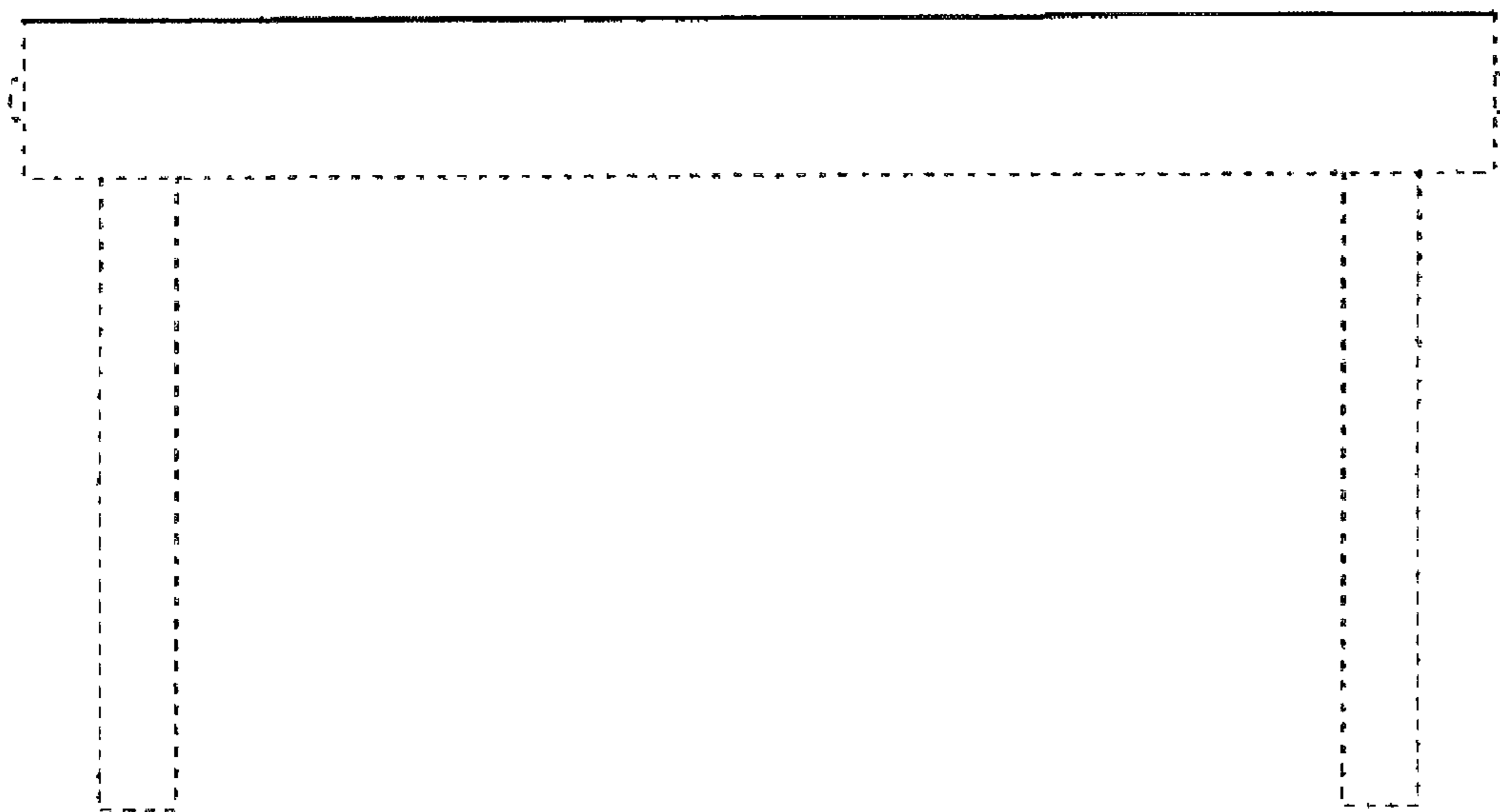


FIG. 6

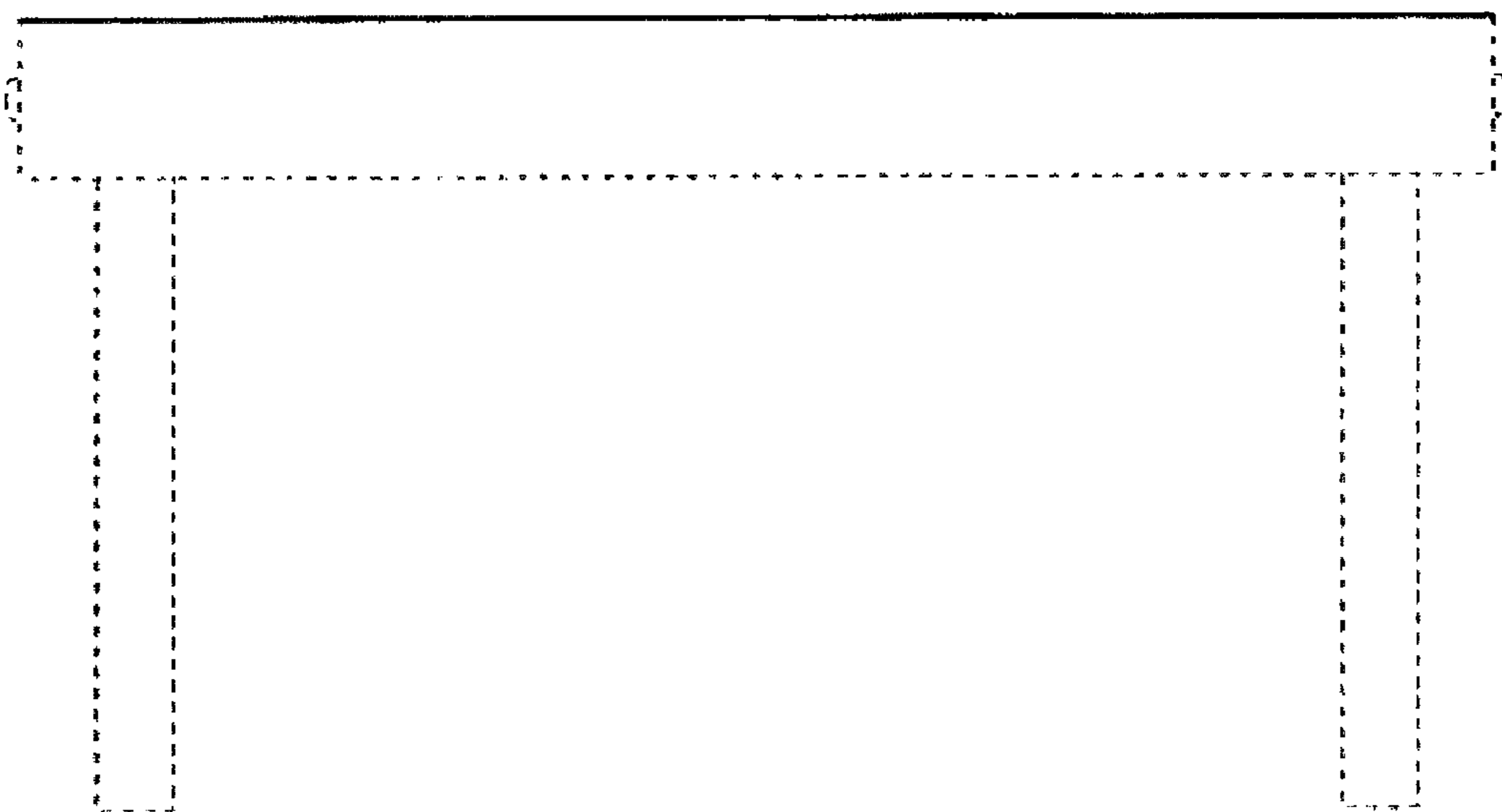


FIG. 7