



US00D645519S

(12) **United States Design Patent**
Williams et al.

(10) **Patent No.:** **US D645,519 S**
(45) **Date of Patent:** **** Sep. 20, 2011**

(54) **NAME TAG HOLDER**

(75) Inventors: **Kathryn Williams**, Santa Barbara, CA
(US); **Alan Stenfors**, Scituate, MA (US)

(73) Assignee: **Easy Event Hosting**, Goleta, CA (US)

(**) Term: **14 Years**

(21) Appl. No.: **29/369,917**

(22) Filed: **Sep. 15, 2010**

(51) **LOC (9) Cl.** **20-03**

(52) **U.S. Cl.** **D20/43**

(58) **Field of Classification Search** D20/22,
D20/27, 10, 40, 43-44; D6/463, 468, 474,
D6/476, 449, 408, 466-467, 553, 558, 567,
D6/569, 573, 574; 211/49.1, 44, 55, 128.1;
40/299.01, 124.01, 302, 642.02, 649, 651,
40/650

See application file for complete search history.

(56) **References Cited**

U.S. PATENT DOCUMENTS

D271,985 S *	12/1983	Belser	D20/27
D274,099 S *	6/1984	Belser	D20/27
D282,989 S *	3/1986	Nelson	D6/474
4,613,047 A *	9/1986	Bushyhead et al.	211/55
D301,490 S *	6/1989	Horowitz	D19/90
D314,015 S *	1/1991	Hickman, Sr.	D20/27
D367,501 S *	2/1996	Molt	D21/392
D382,140 S *	8/1997	Loflin	D6/465
D389,870 S *	1/1998	Hart et al.	D19/90

D392,685 S *	3/1998	Smith	D20/40
D424,125 S *	5/2000	Cregan	D21/392
D432,578 S *	10/2000	Stravitz	D19/91
D451,704 S *	12/2001	Curci	D6/463
D461,334 S *	8/2002	Johnson et al.	D6/468
D495,736 S *	9/2004	Scharf	D19/2
D558,270 S *	12/2007	Beno	D19/52
D583,867 S *	12/2008	Powers et al.	D19/52
D597,132 S *	7/2009	McDevitt	D19/34
D624,334 S *	9/2010	Linder	D6/476

* cited by examiner

Primary Examiner — Elizabeth Albert

Assistant Examiner — Kelley Donnelly

(74) *Attorney, Agent, or Firm* — Laura Tunnell

(57) **CLAIM**

The ornamental design for a name tag holder, as shown.

DESCRIPTION

FIG. 1 is a perspective view of the name tag holder showing our new design.

FIG. 2 is a side view of the name tag holder with a name tag inserted therein.

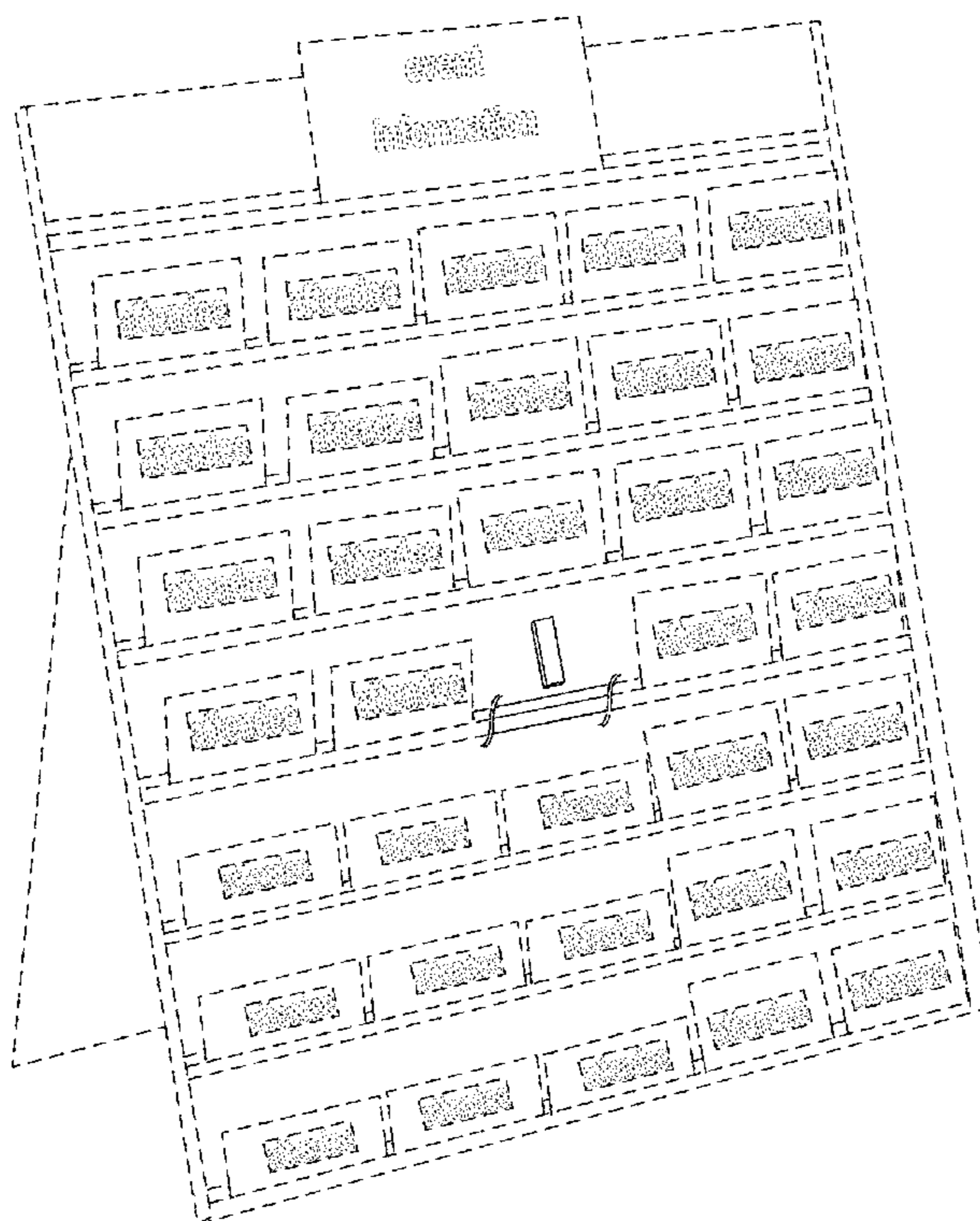
FIG. 3 is a front view of the name tag holder with a name tag inserted therein.

FIG. 4 is a side view of a name tag holder; and,

FIG. 5 is a front view of a name tag holder.

The broken lines showing a name tag and a name tag stand are included for the purpose of illustrating the environment of the design and form no part of the claimed design.

1 Claim, 3 Drawing Sheets



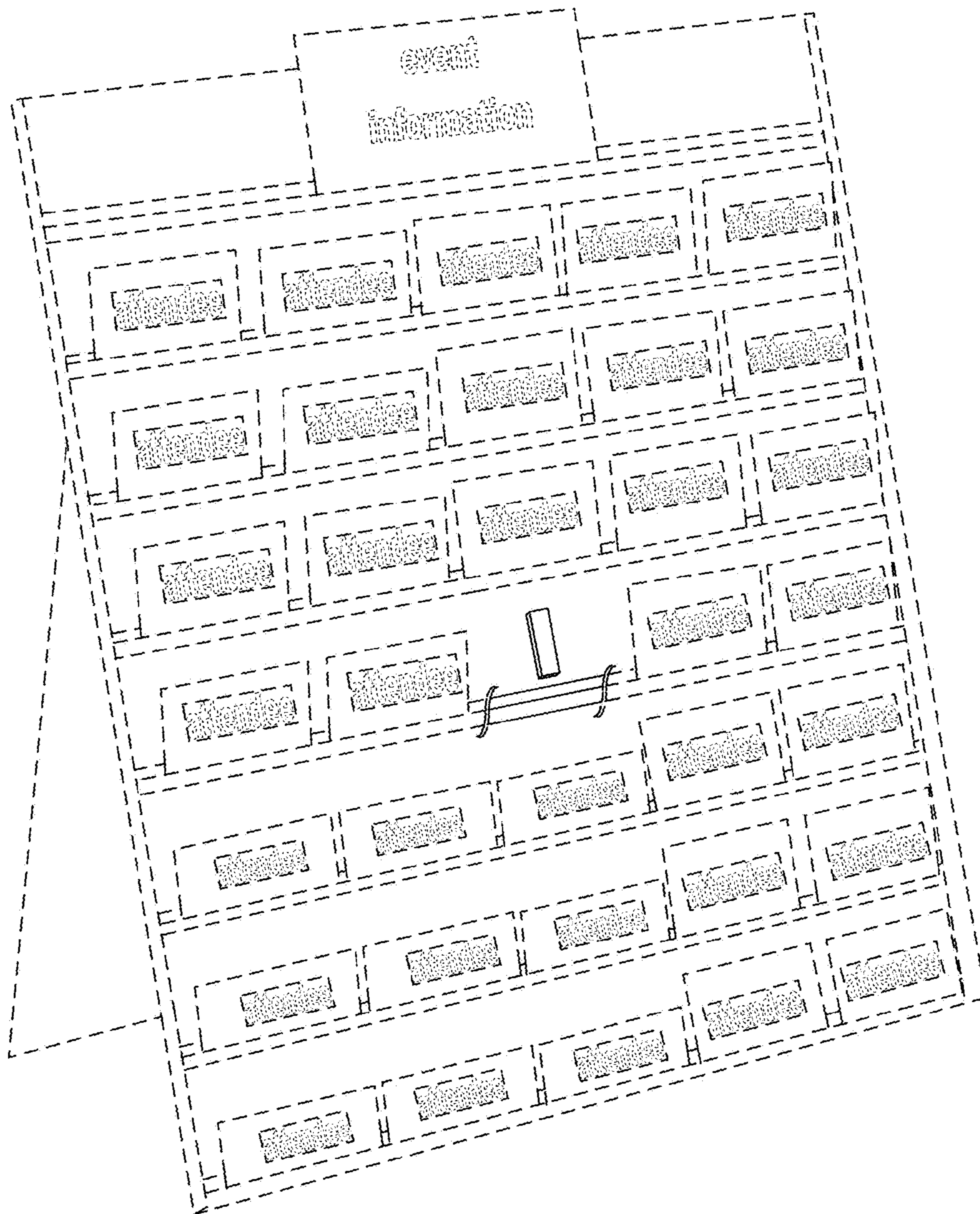


Figure 1

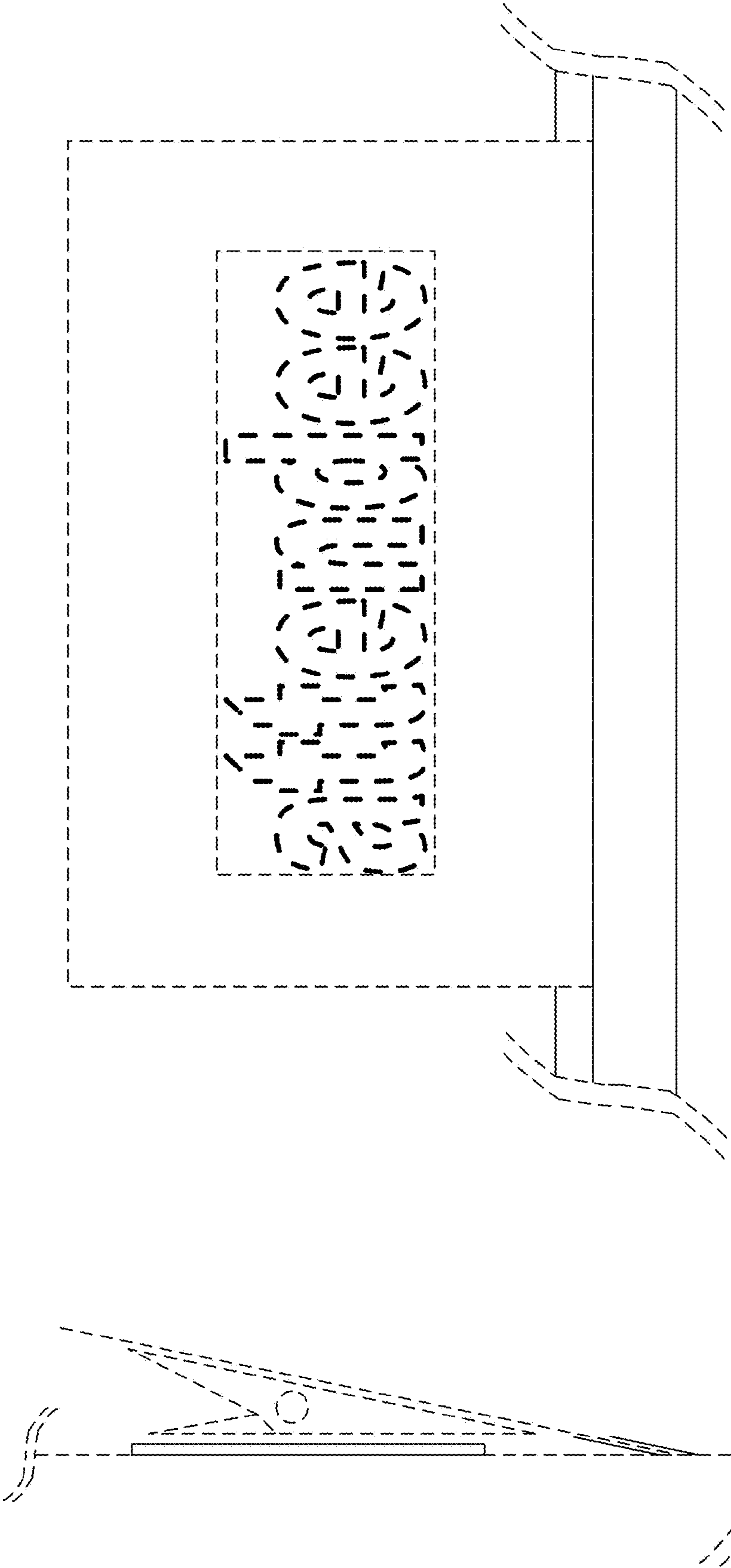


Figure 3

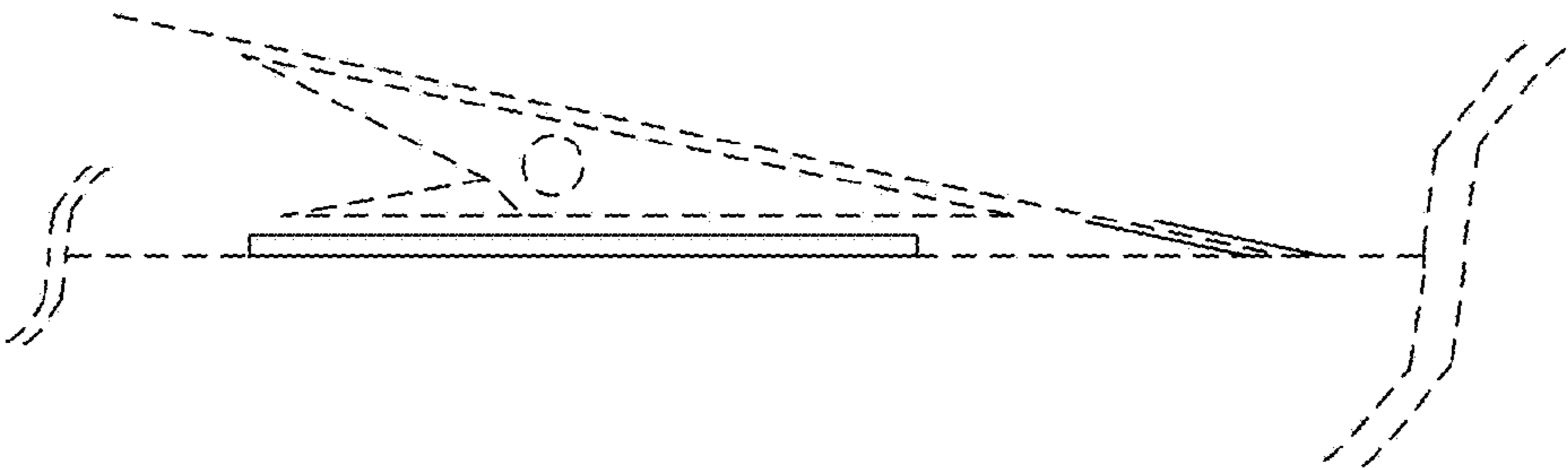


Figure 2

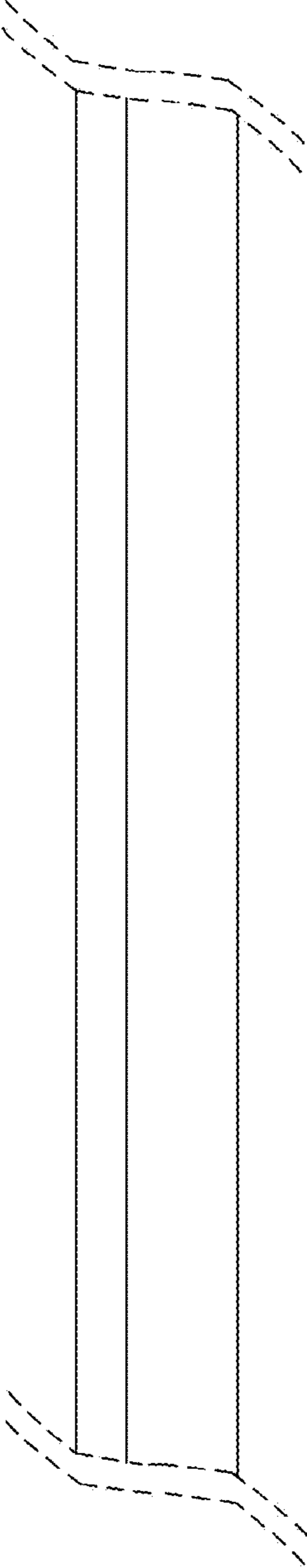
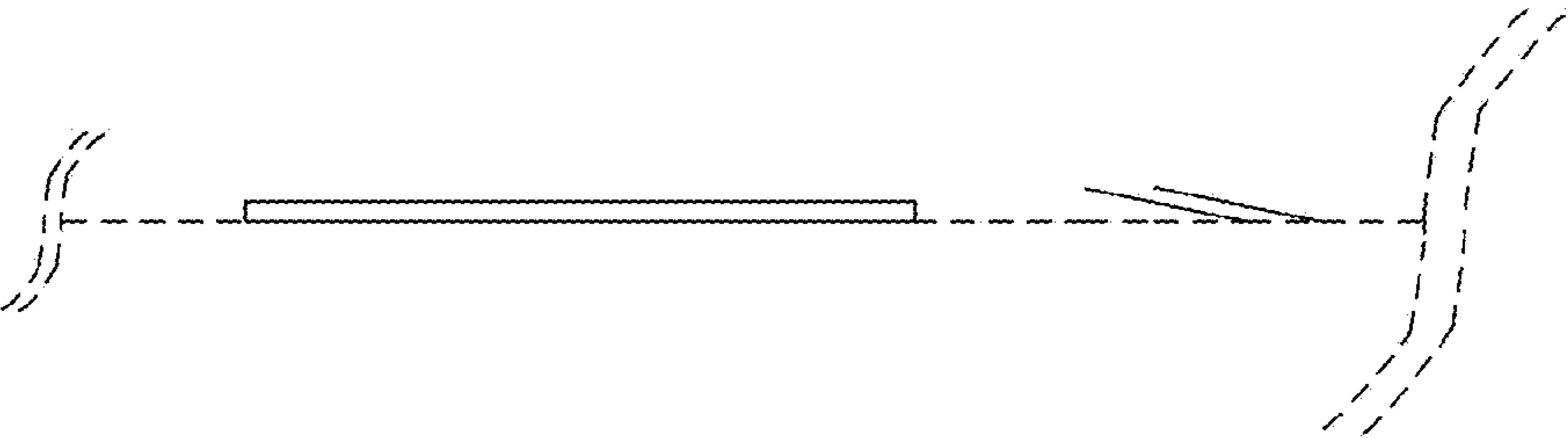


Figure 5

Figure 4