

US00D645518S

(12) **United States Design Patent**
Stuke

(10) **Patent No.:** **US D645,518 S**

(45) **Date of Patent:** **** Sep. 20, 2011**

(54) **POSTER SUPPORT PROFILE BAR**

(75) **Inventor:** **Oliver Stuke**, Heidelberg (DE)

(73) **Assignee:** **Checkpoint Systems International GmbH**, Hirschhorn/Neckar (DE)

(**) **Term:** **14 Years**

(21) **Appl. No.:** **29/368,092**

(22) **Filed:** **Aug. 18, 2010**

(30) **Foreign Application Priority Data**

Feb. 19, 2010 (EP) S.001197016-001
Feb. 19, 2010 (EP) S.001197016-0002

(51) **LOC (9) Cl.** **20-02**

(52) **U.S. Cl.** **D20/43**

(58) **Field of Classification Search** D20/10,
D20/19, 22-29, 39-44, 99; 40/124.01, 299.01,
40/360, 446, 538, 541, 584, 605, 606.01,
40/606.12, 606.13, 606.16, 606.18, 626,
40/628-630, 642.02, 649, 654, 661, 661.01-661.03,
40/661.08, 661.11; D6/300; D8/314; D10/104,
D10/109; D25/119, 124; 283/56, 71, 81;
362/812

See application file for complete search history.

(56) **References Cited**

U.S. PATENT DOCUMENTS

1,943,295 A * 1/1934 Block 40/606.01
3,154,870 A * 11/1964 Hopp et al. 40/605

D205,054 S * 6/1966 Wansky D20/44
D291,210 S * 8/1987 Labbe et al. D20/43
D384,108 S * 9/1997 Rinicella et al. D20/42
D389,194 S * 1/1998 Rinicella et al. D20/42
D434,452 S * 11/2000 Steiner et al. D20/40
D455,634 S * 4/2002 Hummel et al. D8/314
D480,112 S * 9/2003 Santolaya D20/10
D495,502 S * 9/2004 Hahn D6/300
D617,845 S * 6/2010 Suciu et al. D20/43
D625,365 S * 10/2010 Lundgren D20/99

* cited by examiner

Primary Examiner — Mary Ann Calabrese

(74) *Attorney, Agent, or Firm* — Sand & Sebolt

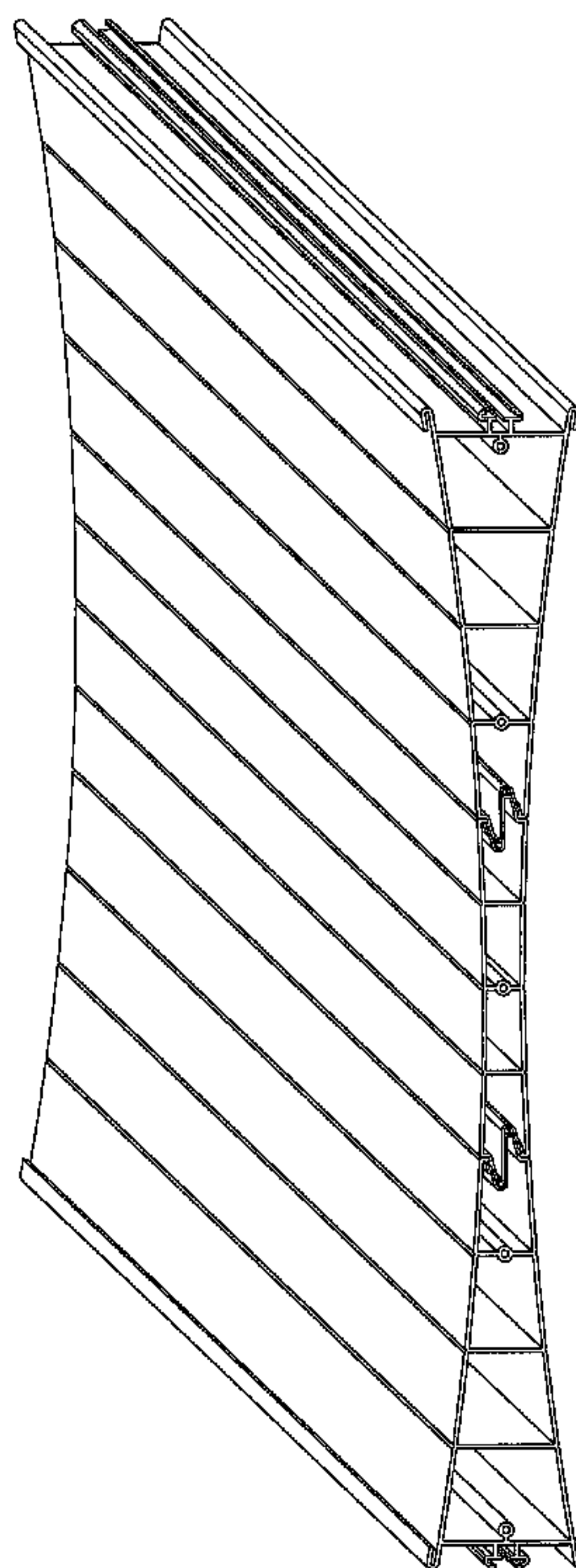
(57) **CLAIM**

The ornamental design for a poster support profile bar, as shown and described.

DESCRIPTION

FIG. 1 is a front view of a poster support profile bar in accordance with the present invention comprising two identical end bar parts engaged with an intermediate bar part; FIG. 2 is a perspective view of the poster support profile bar according to FIG. 1; FIG. 3 is an enlarged front view of one of the end bar parts according to FIG. 1, with the other end bar part being a mirror image hereof, removed for clarity of illustration; FIG. 4 is a perspective view of the end bar part according to FIG. 3; FIG. 5 is an enlarged front view of the intermediate bar part according to FIG. 1, removed for clarity of illustration; and, FIG. 6 is a perspective view of the intermediate bar part according to FIG. 5.

1 Claim, 6 Drawing Sheets



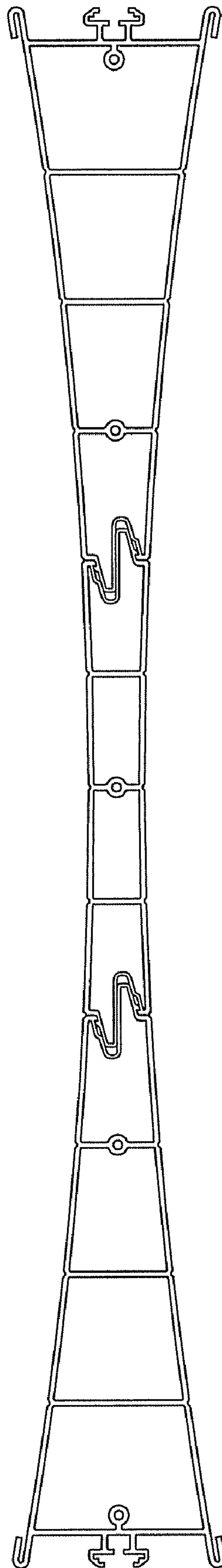


FIG-1

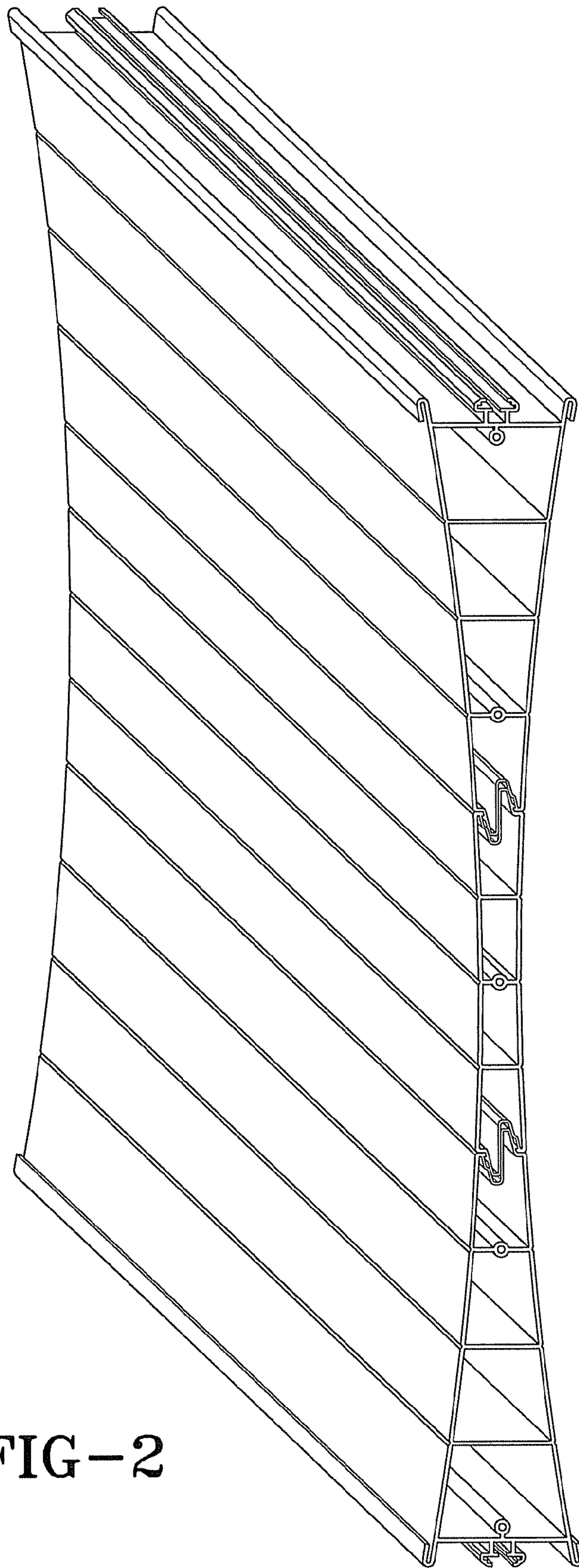


FIG-2

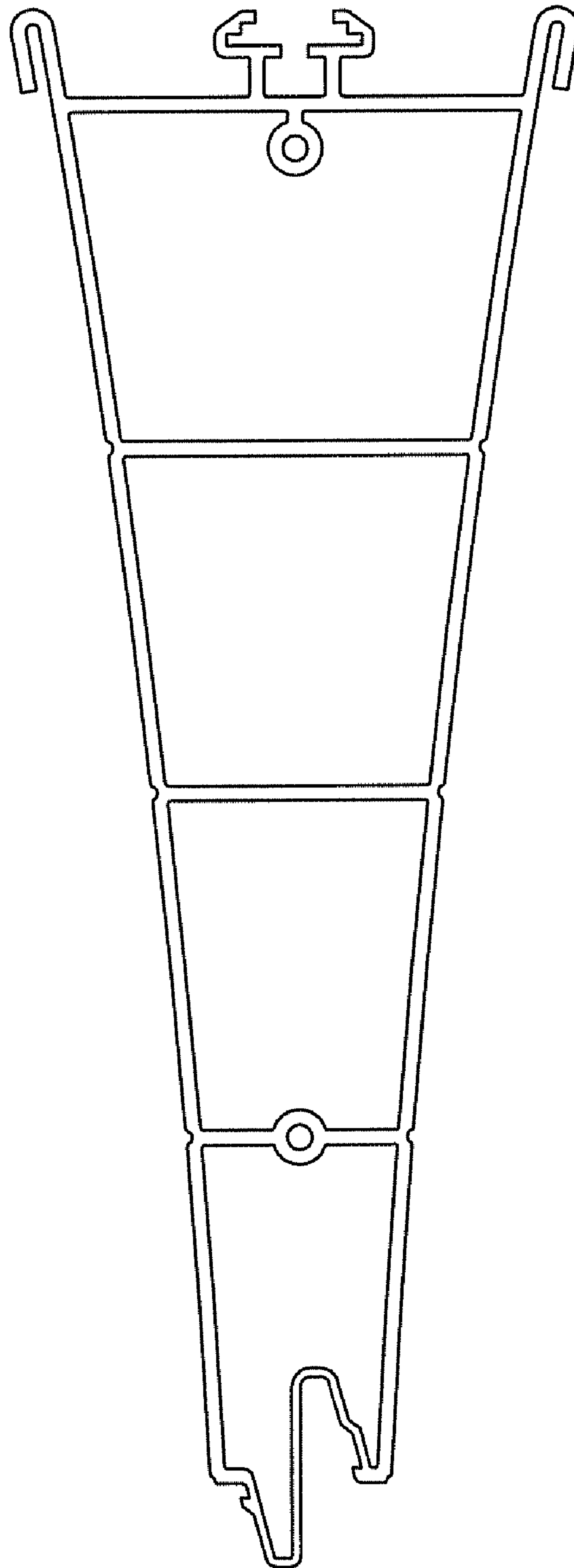


FIG-3

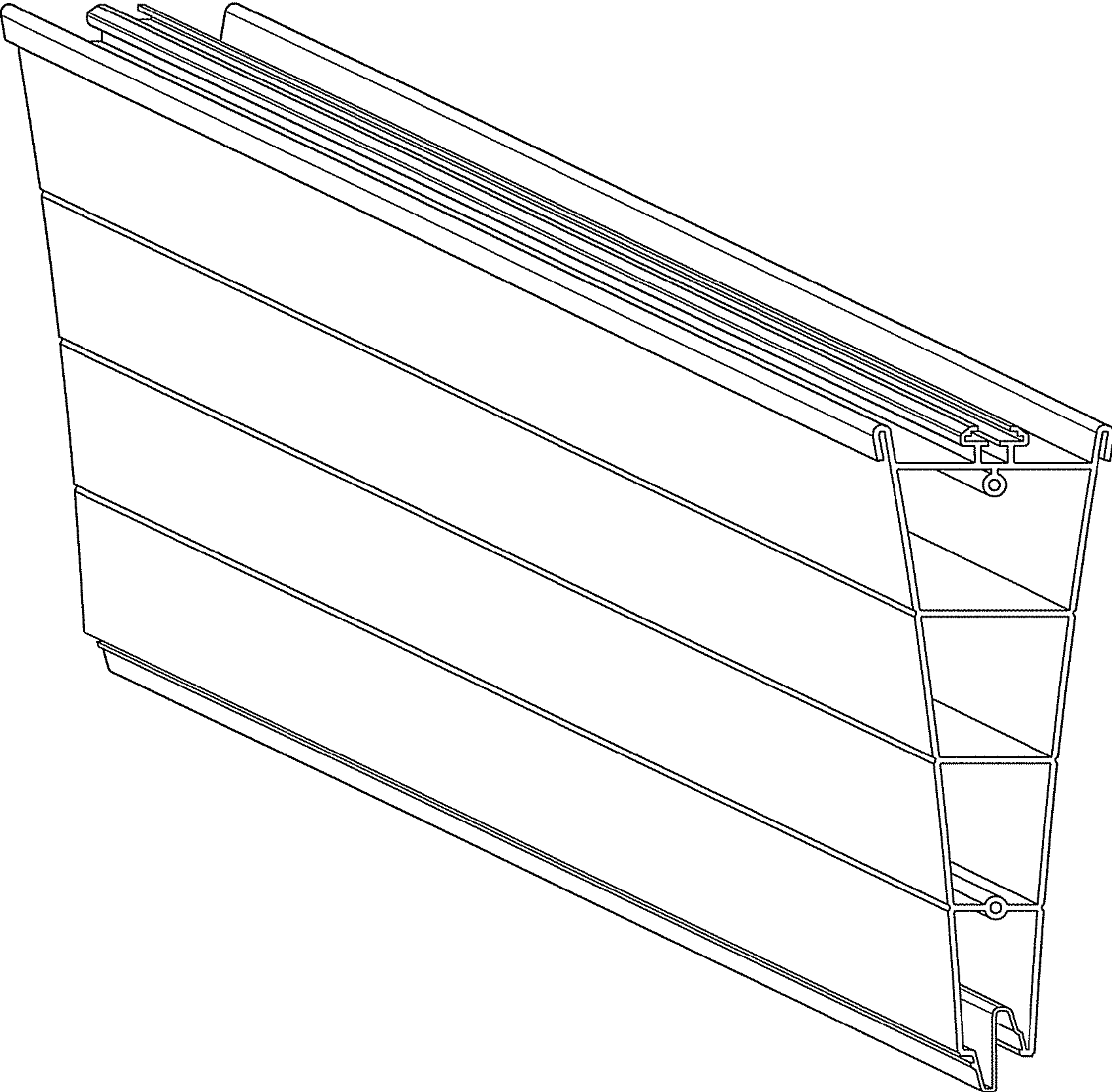


FIG-4

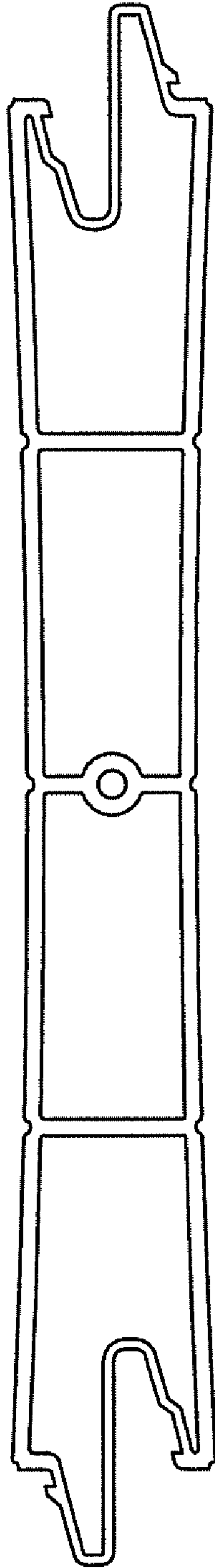


FIG-5

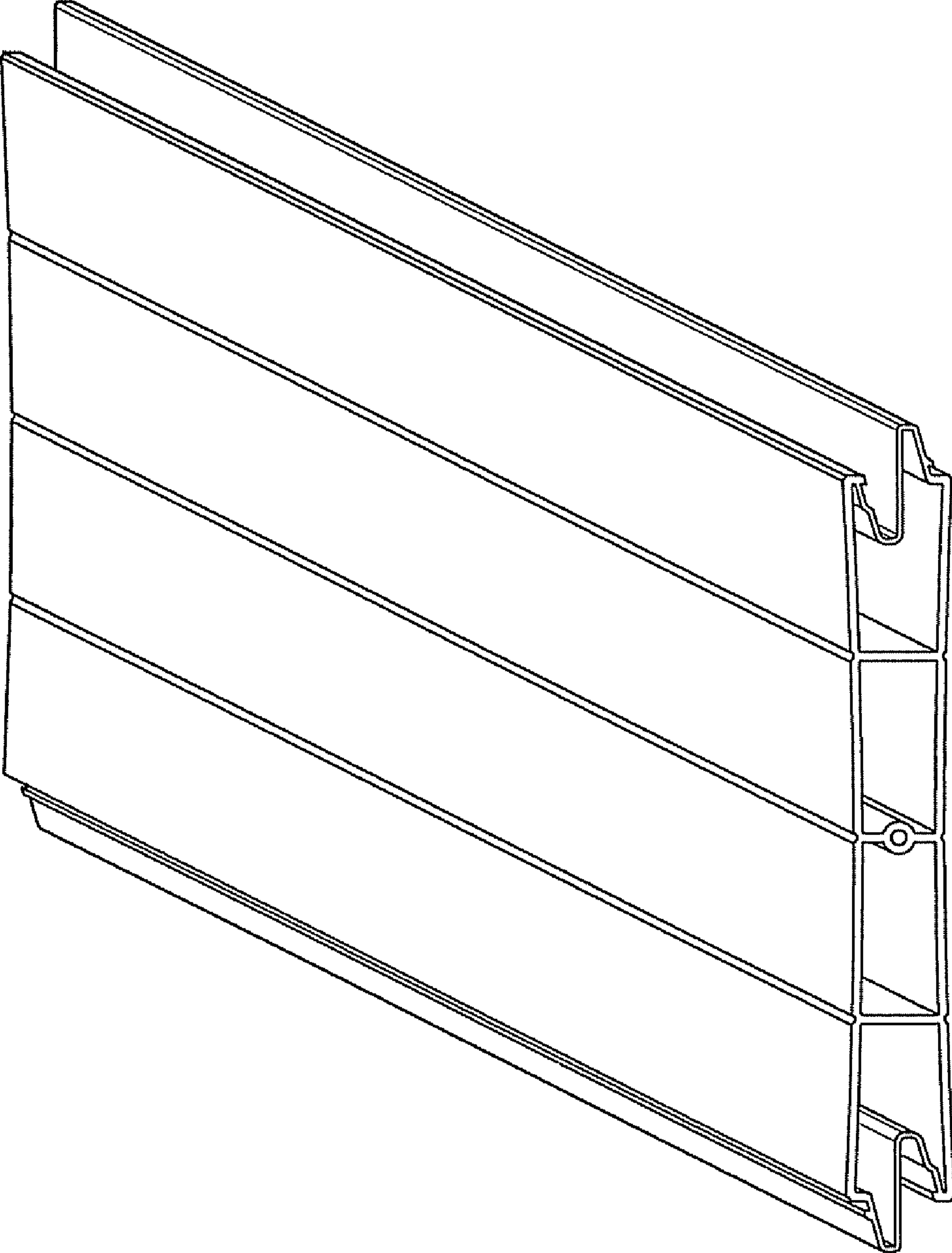


FIG-6