



US00D645516S

(12) **United States Design Patent**
Ochoa

(10) **Patent No.:** **US D645,516 S**

(45) **Date of Patent:** **** Sep. 20, 2011**

(54) **CARD HOLDER**

(76) Inventor: **Jesus Ochoa**, Bakersfield, CA (US)

(**) Term: **14 Years**

(21) Appl. No.: **29/386,913**

(22) Filed: **Mar. 7, 2011**

(51) **LOC (9) Cl.** **19-02**

(52) **U.S. Cl.** **D19/91**

(58) **Field of Classification Search** D6/326;
D8/394, 395; D19/65, 75, 77-92; D20/43;
24/67.9, 67.11; 206/215, 425; 211/11, 50;
248/65

See application file for complete search history.

(56) **References Cited**

U.S. PATENT DOCUMENTS

3,168,954	A *	2/1965	Von Herrmann	211/50
4,566,660	A *	1/1986	Anscher et al.	248/74.2
D293,205	S *	12/1987	Nakano	D8/395
D424,118	S *	5/2000	Mandokoro et al.	D19/90
6,216,986	B1 *	4/2001	Kwilosz	248/74.1
D476,556	S *	7/2003	Martin et al.	D8/395
D570,203	S *	6/2008	Shiomoto	D8/395
D587,313	S *	2/2009	Yoshida	D19/86
D613,796	S *	4/2010	Kim	D19/86
7,690,142	B2 *	4/2010	Pollack	40/658
D616,033	S *	5/2010	Kurmlavage	D20/43

D619,711	S *	7/2010	Lombardo et al.	D24/143
D637,712	S *	5/2011	Chau et al.	D24/129
2002/0011542	A1 *	1/2002	Winton, III	248/74.1

* cited by examiner

Primary Examiner — Elizabeth Albert

(74) *Attorney, Agent, or Firm* — Richard S Erbe

(57) **CLAIM**

The ornamental design for a card holder, as shown and described.

DESCRIPTION

FIG. 1 is a front perspective view of my card holder showing my new design;

FIG. 2 is another front perspective view of my card holder;

FIG. 3 is a rear elevational view of my card holder;

FIG. 4 is a front elevational view of my card holder;

FIG. 5 is a left side elevational view of my card holder;

FIG. 6 is a right side elevational view of my card holder;

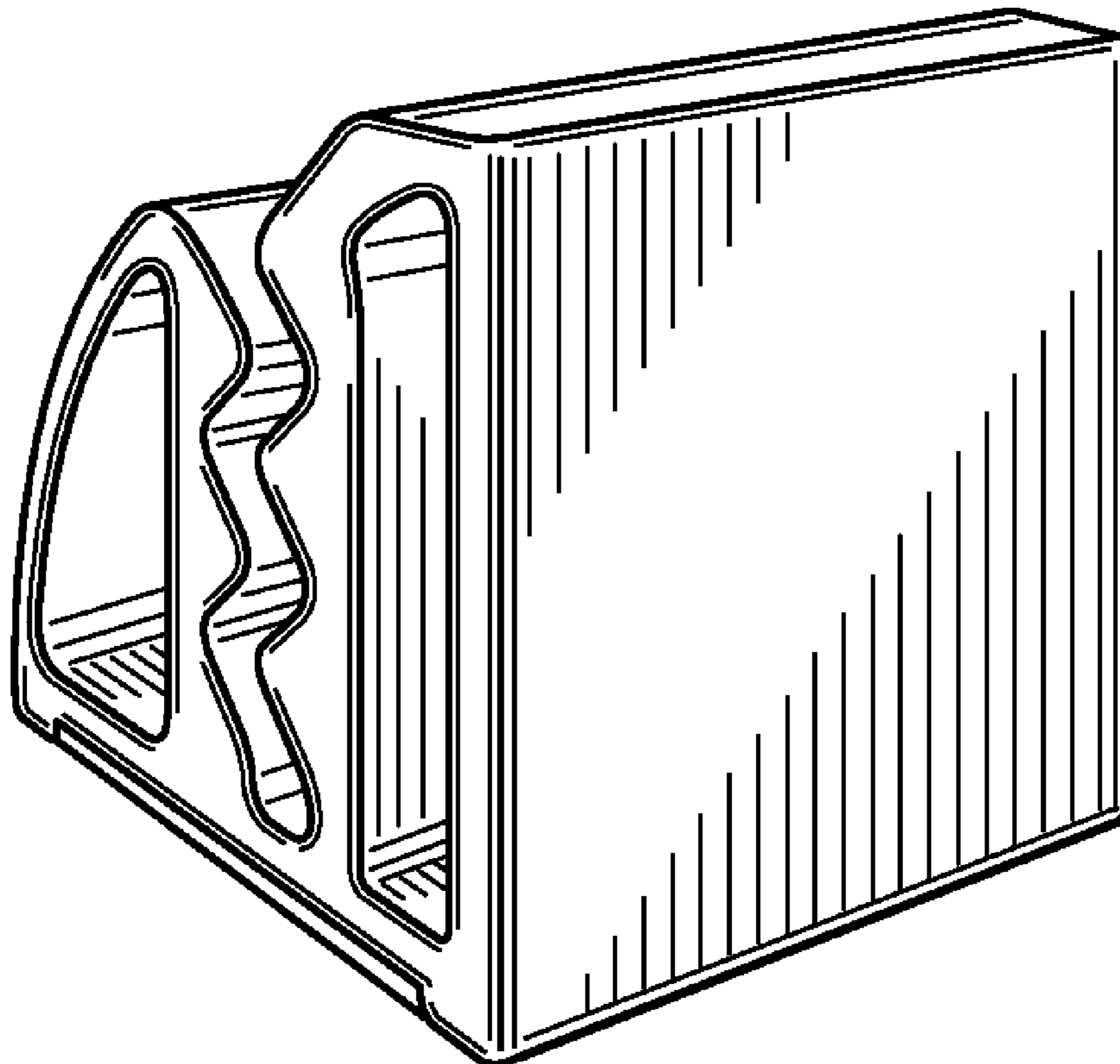
FIG. 7 is a top view of my card holder;

FIG. 8 is a bottom view of my card holder; and,

FIG. 9 is a rear perspective view of my card holder.

The broken lines in FIG. 1 showing a card and heart and the broken lines in FIGS. 5 and 6 showing inside surfaces are included for the purpose of showing portions that form no part of the claimed design.

1 Claim, 2 Drawing Sheets



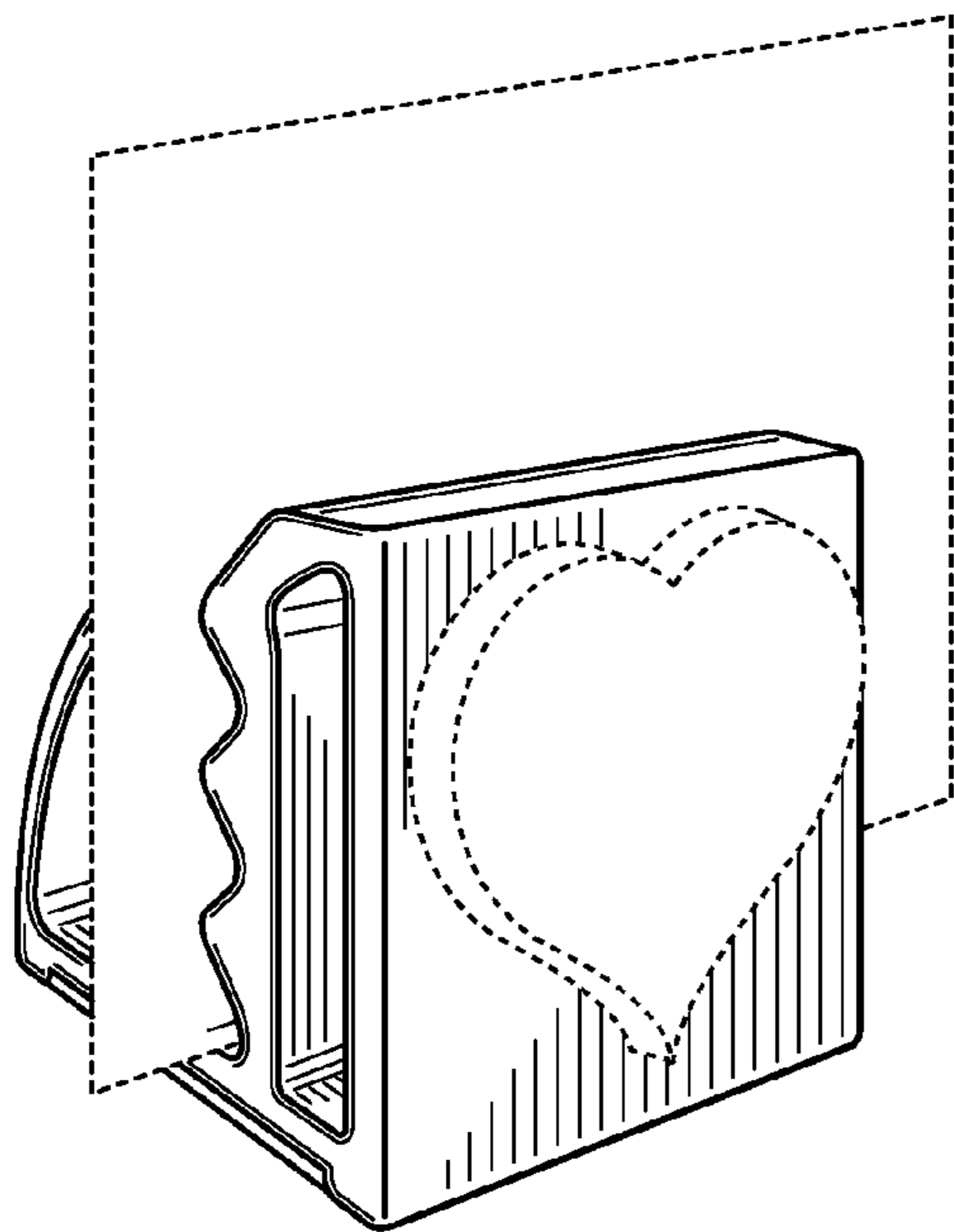


FIG. 1

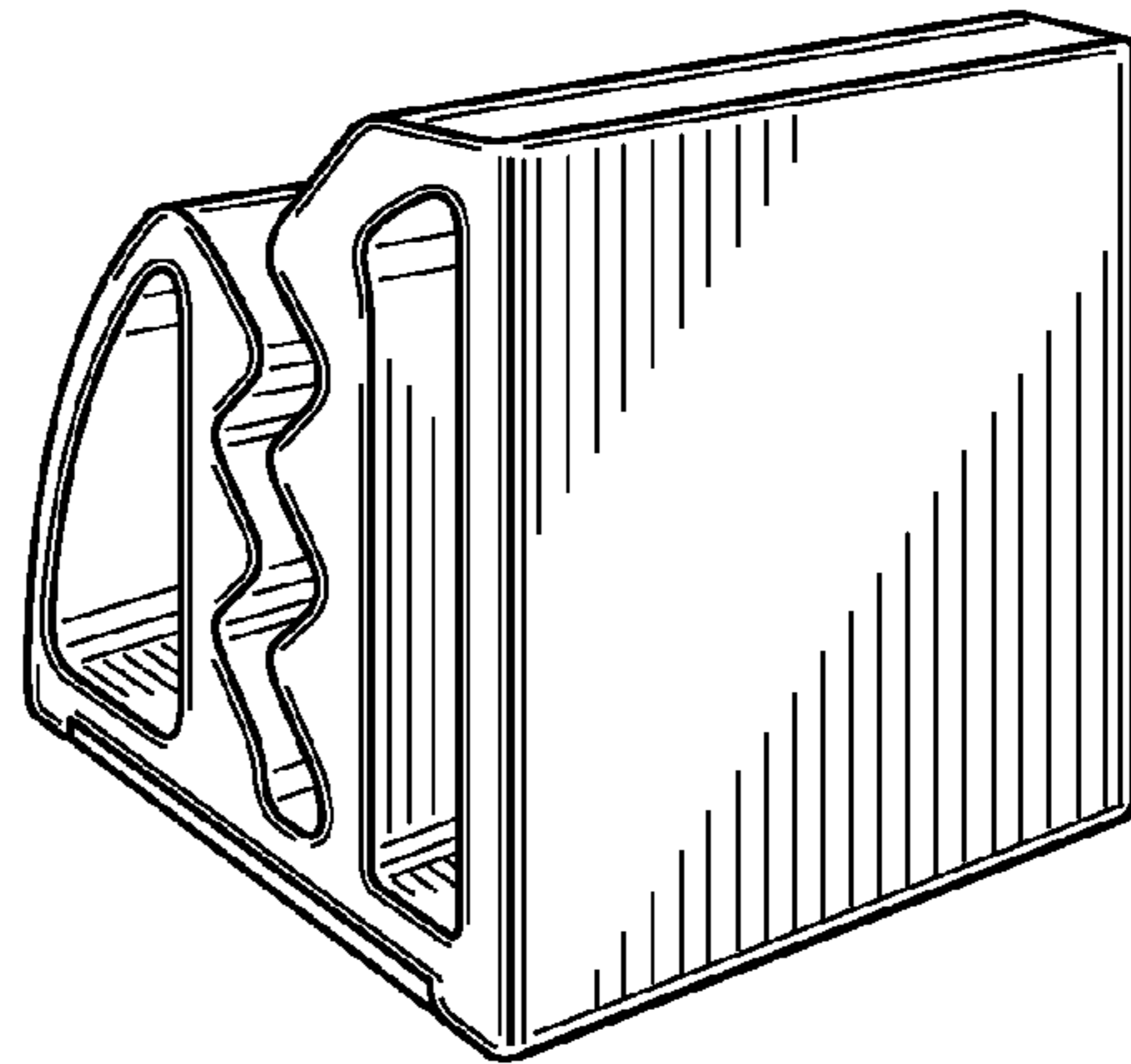


FIG. 2

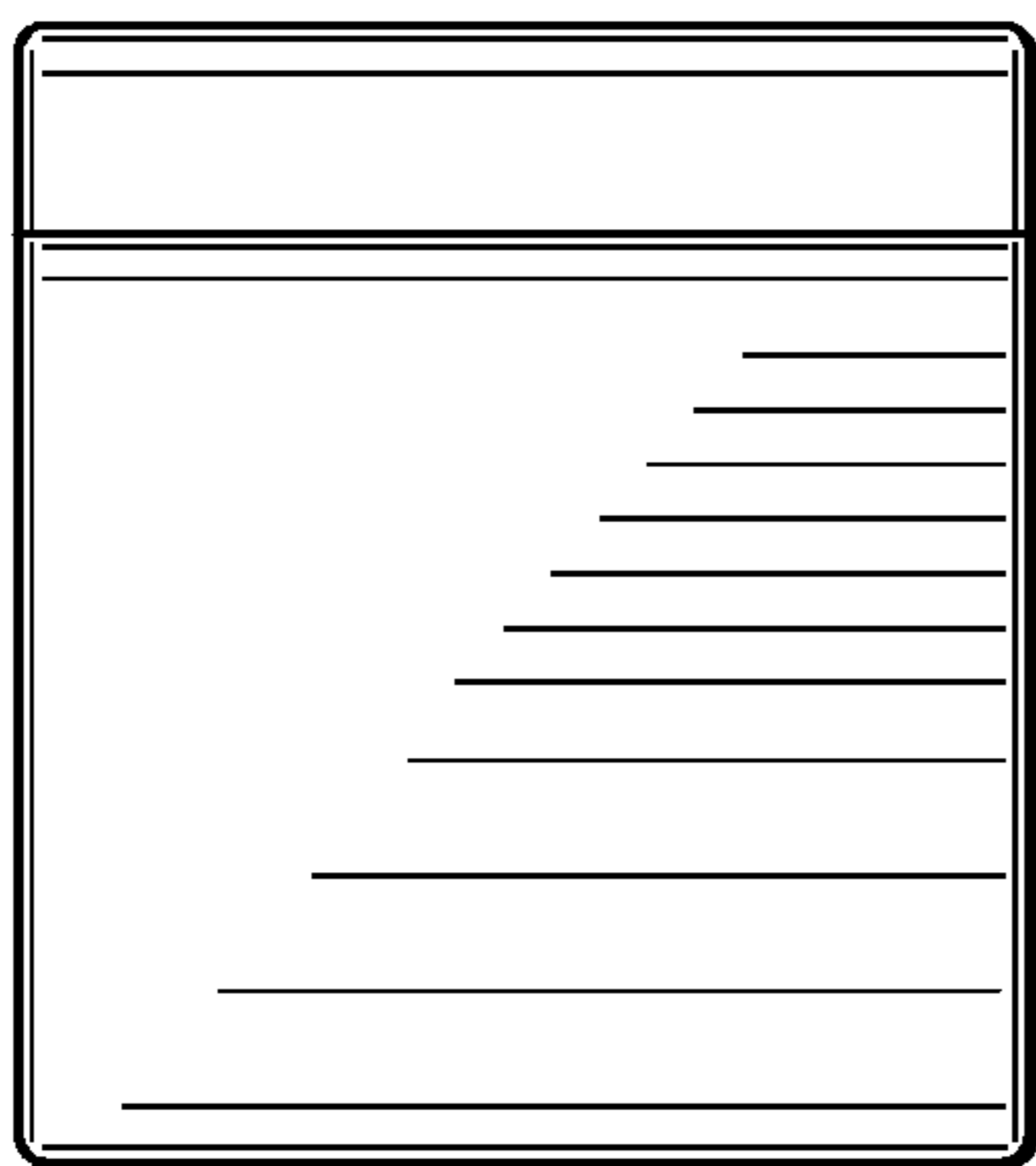


FIG. 3

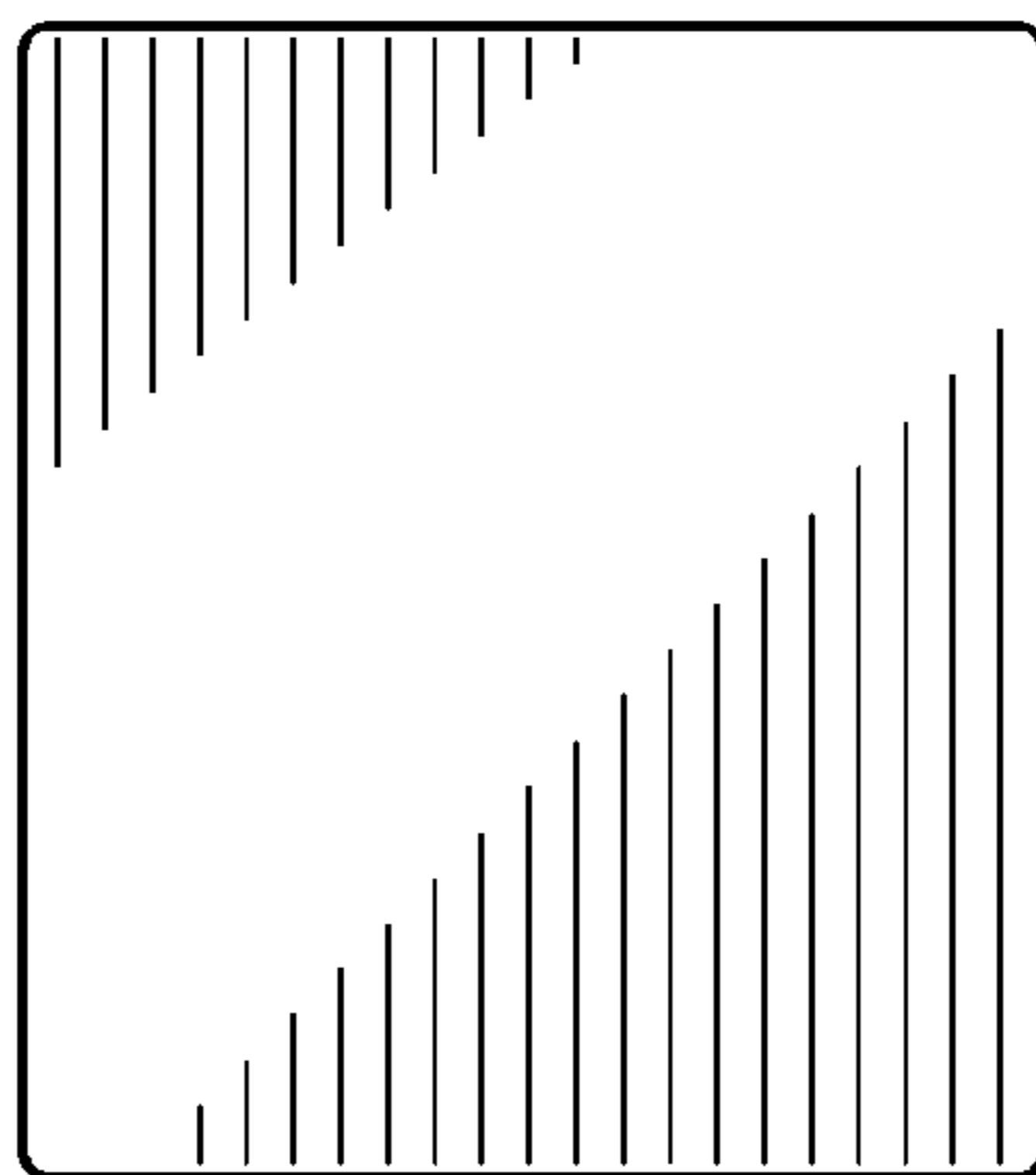


FIG. 4

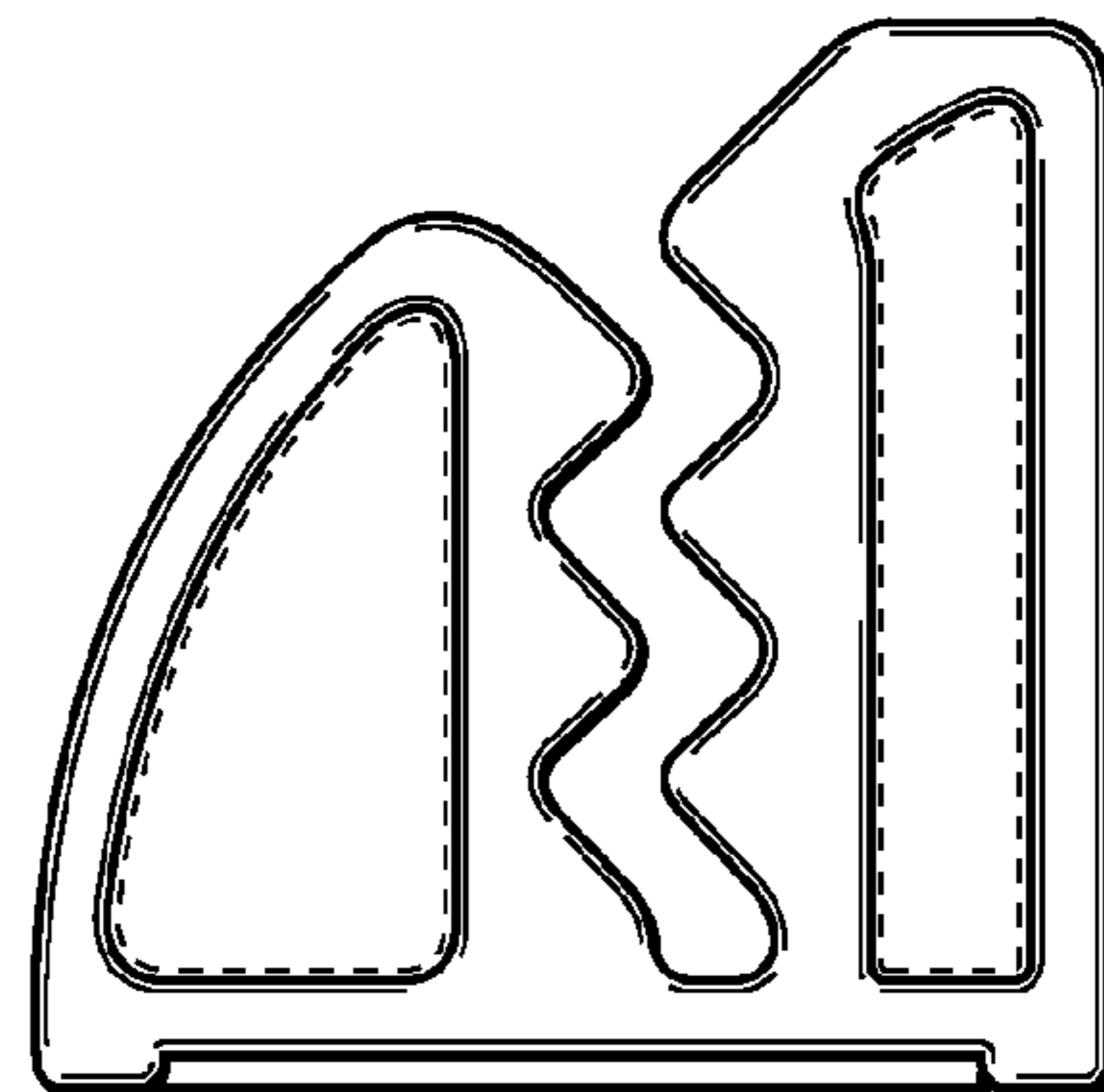


FIG. 5

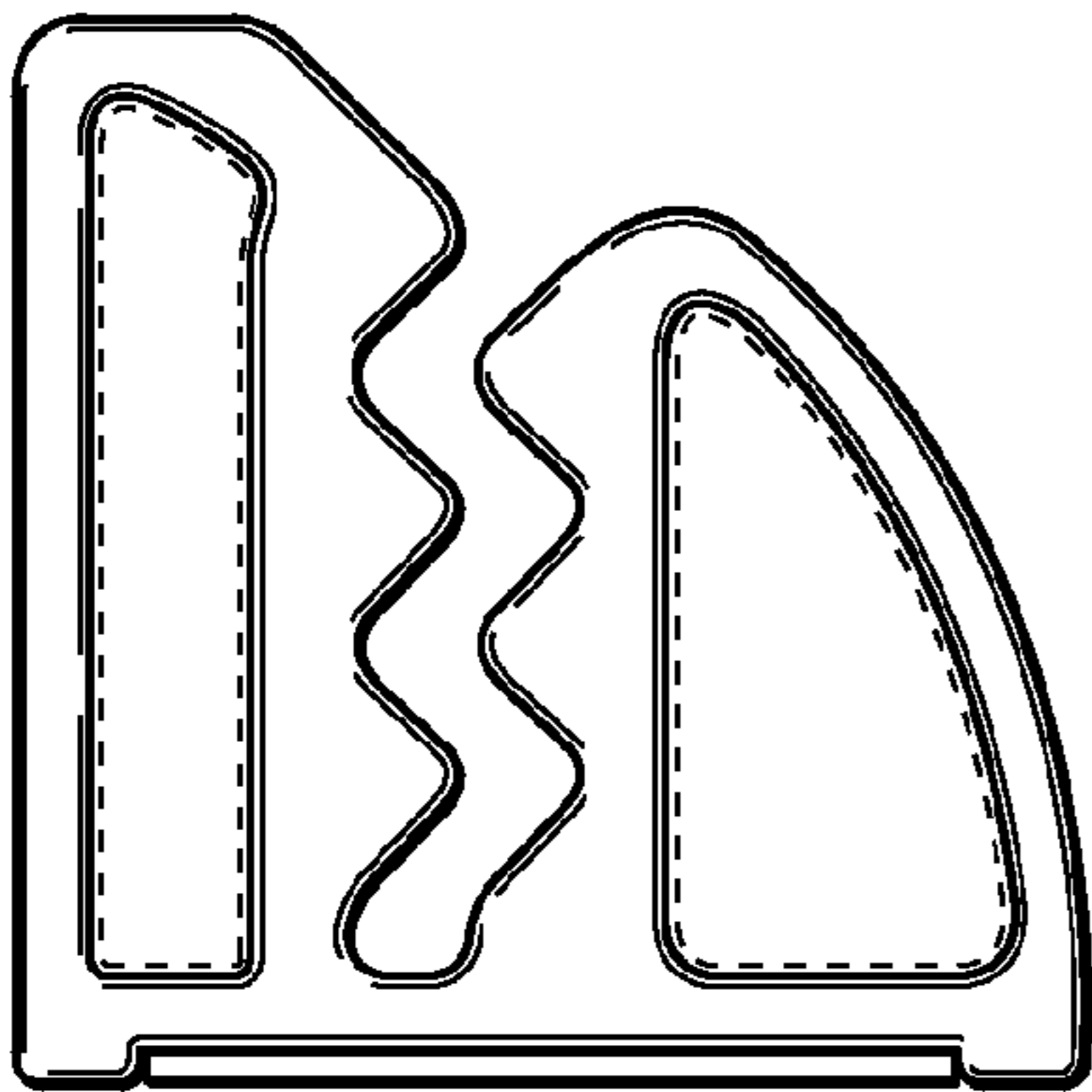


FIG. 6

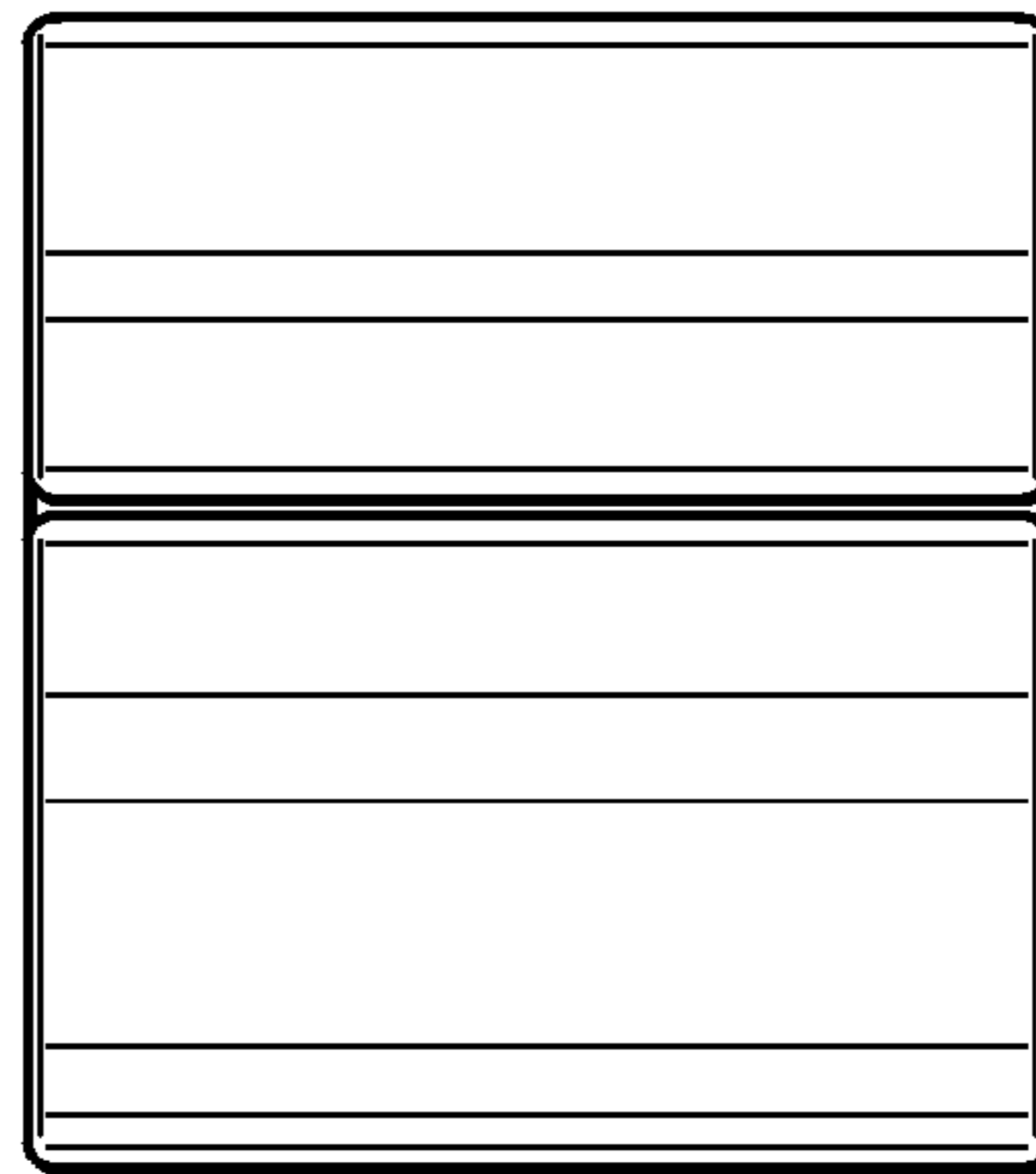


FIG. 7

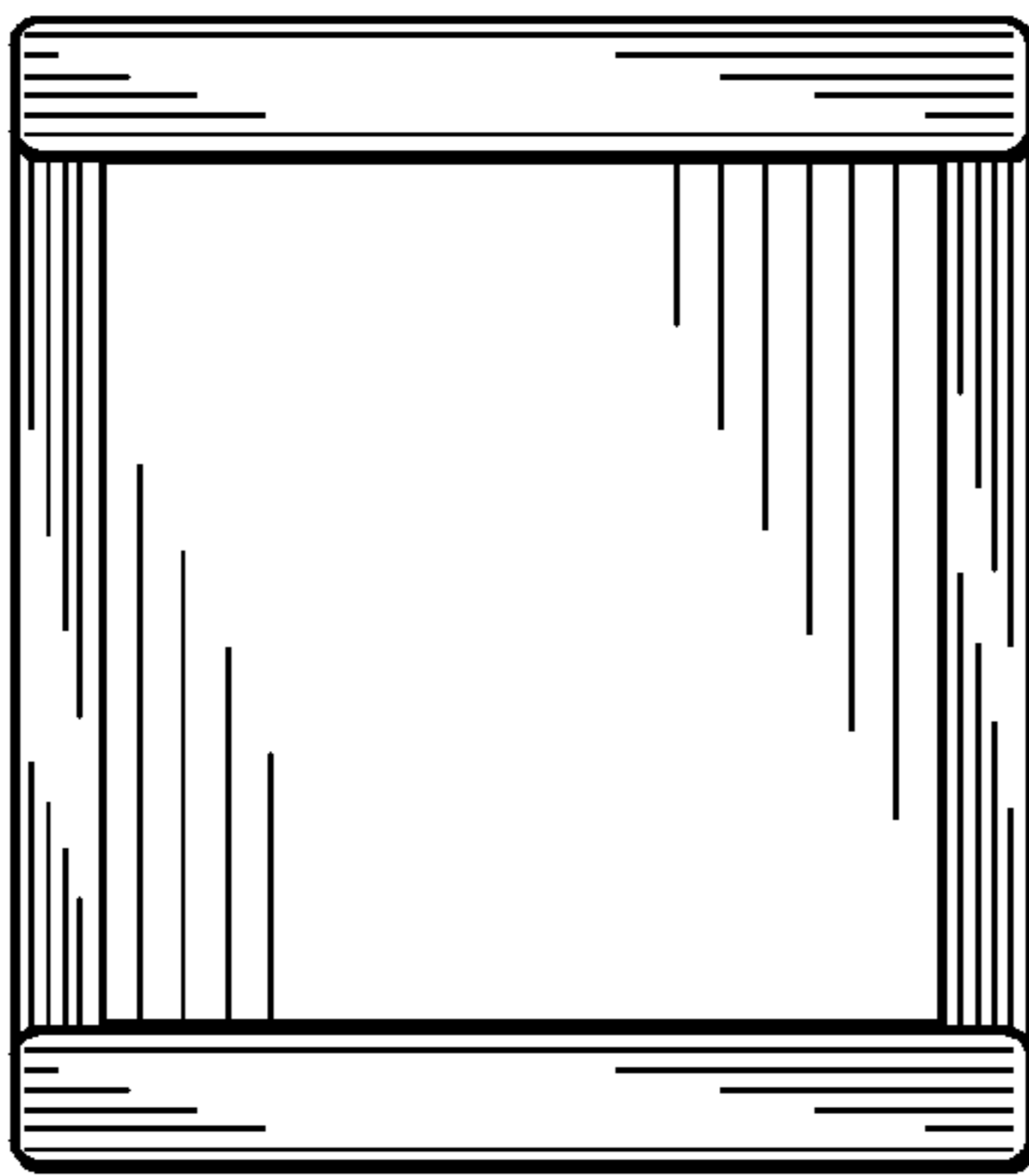


FIG. 8

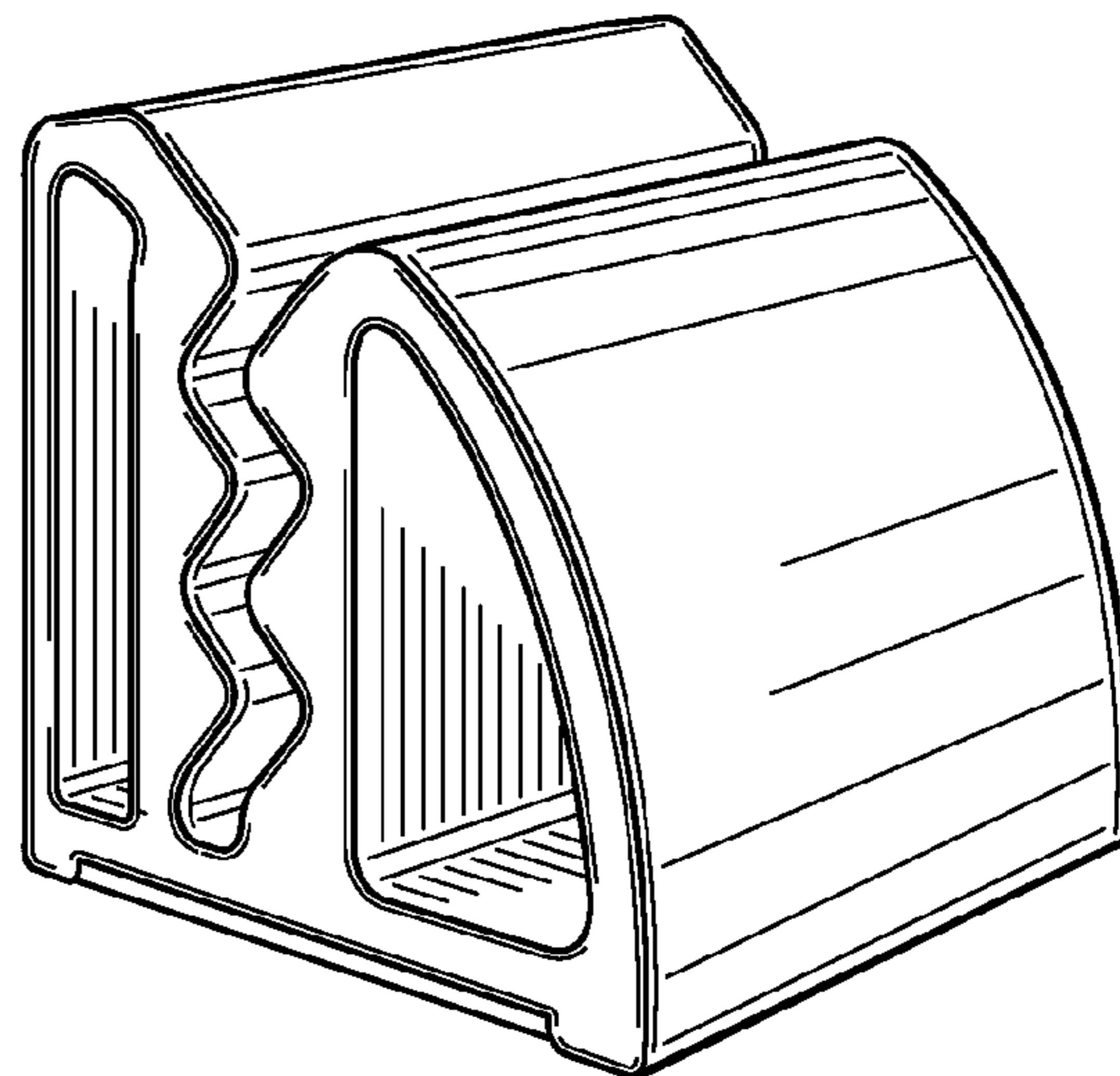


FIG. 9