



US00D645511S

(12) **United States Design Patent**
Freeman et al.

(10) **Patent No.:** **US D645,511 S**

(45) **Date of Patent:** **** Sep. 20, 2011**

(54) **CORE FOR ORTHOPEDIC CAST TAPE**

(75) Inventors: **Jeffrey L. Freeman**, Burlington, NC
(US); **Walter D. Doubleday**, Jupiter, FL
(US)

(73) Assignee: **Carolina Narrow Fabric Company**,
Winston-Salem, NC (US)

(**) Term: **14 Years**

(21) Appl. No.: **29/357,884**

(22) Filed: **Mar. 18, 2010**

(51) **LOC (9) Cl.** **19-02**

(52) **U.S. Cl.** **D19/67**

(58) **Field of Classification Search** D19/70,
D19/69, 36, 68; D8/38, 107; D1/199, 126,
D1/125, 122; 602/8; 206/411; 156/577,
156/527, 523; 426/143; 242/578.2, 571.4
See application file for complete search history.

(56) **References Cited**

U.S. PATENT DOCUMENTS

422,370	A *	3/1890	Fetzer	426/143
3,062,370	A	2/1957	Morin		
3,315,728	A *	4/1967	Anderson et al.	160/326
4,153,052	A *	5/1979	Tsuk	602/8
4,783,016	A *	11/1988	Pool	242/571.4
D333,900	S *	3/1993	Kinnamon et al.	D34/27
D380,886	S *	7/1997	Hauser et al.	D1/126
D381,185	S *	7/1997	Hauser et al.	D1/126
5,683,058	A *	11/1997	Schwarz et al.	242/578.2
5,738,639	A	4/1998	Cueman et al.		
5,935,628	A *	8/1999	Hauser et al.	426/143
5,984,884	A	11/1999	Alvarez et al.		
D423,312	S *	4/2000	Hames	D8/38

D437,101	S *	2/2001	Debbouz et al.	D1/126
D445,322	S *	7/2001	Hames	D8/38
D453,463	S *	2/2002	Chang	D8/107
D503,645	S *	4/2005	Wirth et al.	D10/114.9
7,007,887	B2 *	3/2006	van de Camp	242/609.4
D528,261	S *	9/2006	Mendes et al.	D1/122
D532,583	S *	11/2006	Townsend et al.	D1/122
D538,506	S *	3/2007	Mendes et al.	D1/122
D558,444	S *	1/2008	Ma	D3/6
D585,177	S *	1/2009	Wylie	D1/125
D593,277	S *	6/2009	Wylie	D1/199
D603,135	S *	11/2009	Unlu et al.	D1/199
D603,136	S *	11/2009	Unlu et al.	D1/199
D603,241	S *	11/2009	Pearce	D8/107

* cited by examiner

Primary Examiner — Austin Murphy

(74) *Attorney, Agent, or Firm* — Womble Carlyle Sandridge & Rice, PLLC

(57) **CLAIM**

The ornamental design for a core for orthopedic cast tape, as shown and described.

DESCRIPTION

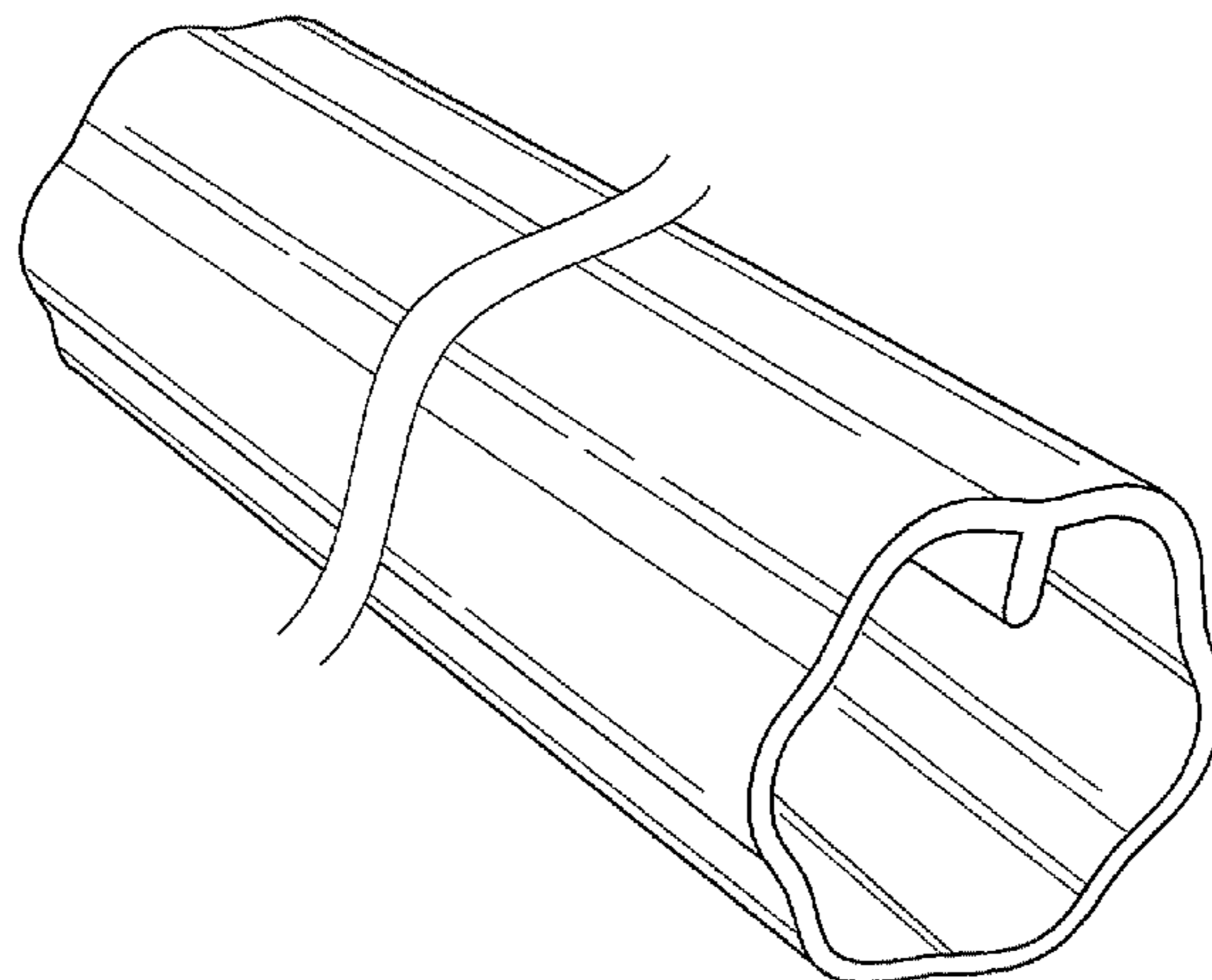
FIG. 1 is a front perspective view of my new design of a core showing a portion of the cast tape in dashed lines wrapped thereon;

FIG. 2 is a front perspective view of my new design, the rear perspective being the mirror image thereof; and,

FIG. 3 is an end view thereof, the other end being the mirror image thereof.

The break lines in FIGS. 1, 2, and 3 indicate indefinite length. Features shown in dashed lines, illustrate the cast tape itself, are shown for illustrative purposes only and form no part of the claimed design.

1 Claim, 3 Drawing Sheets



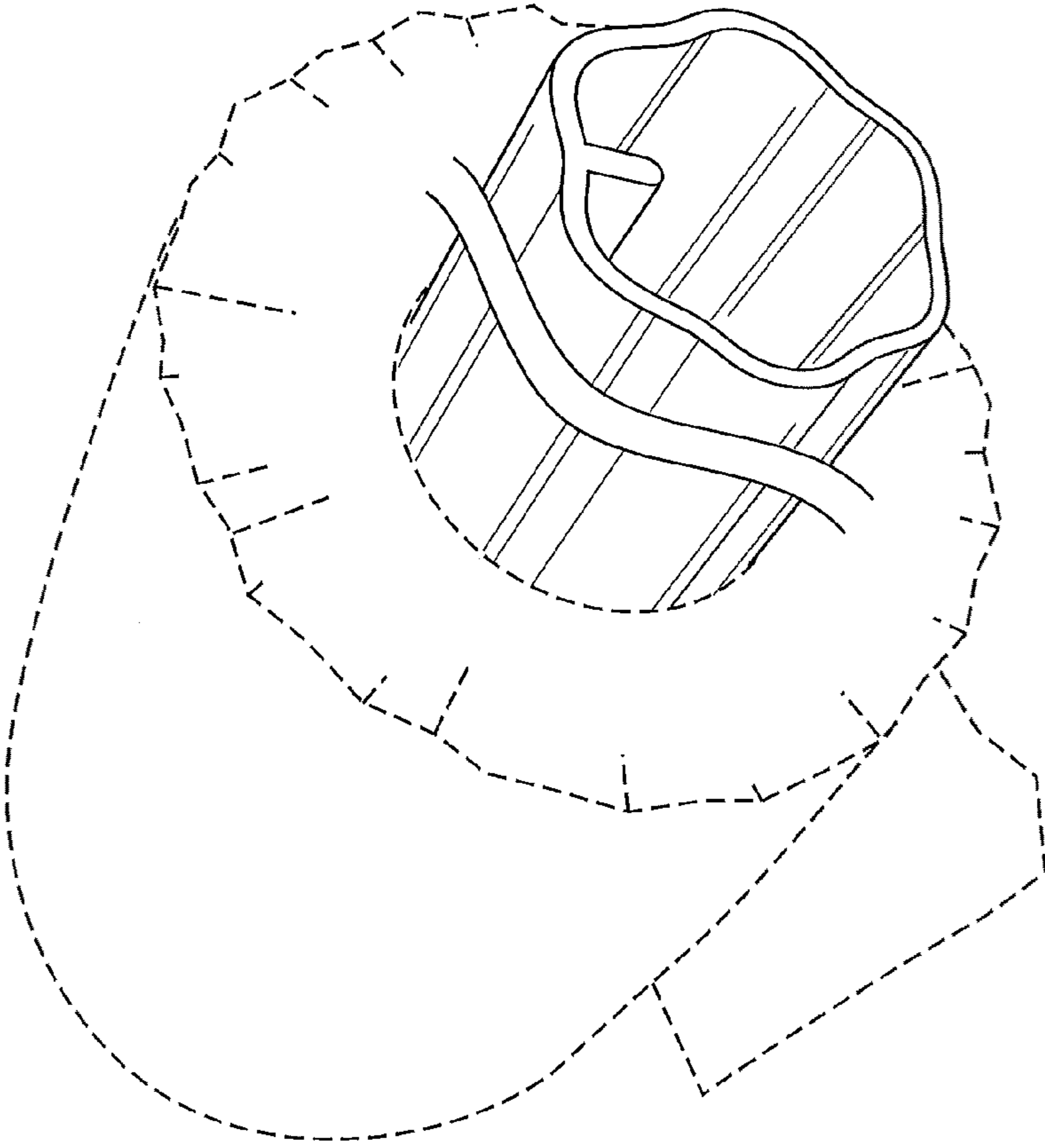


FIG. 1

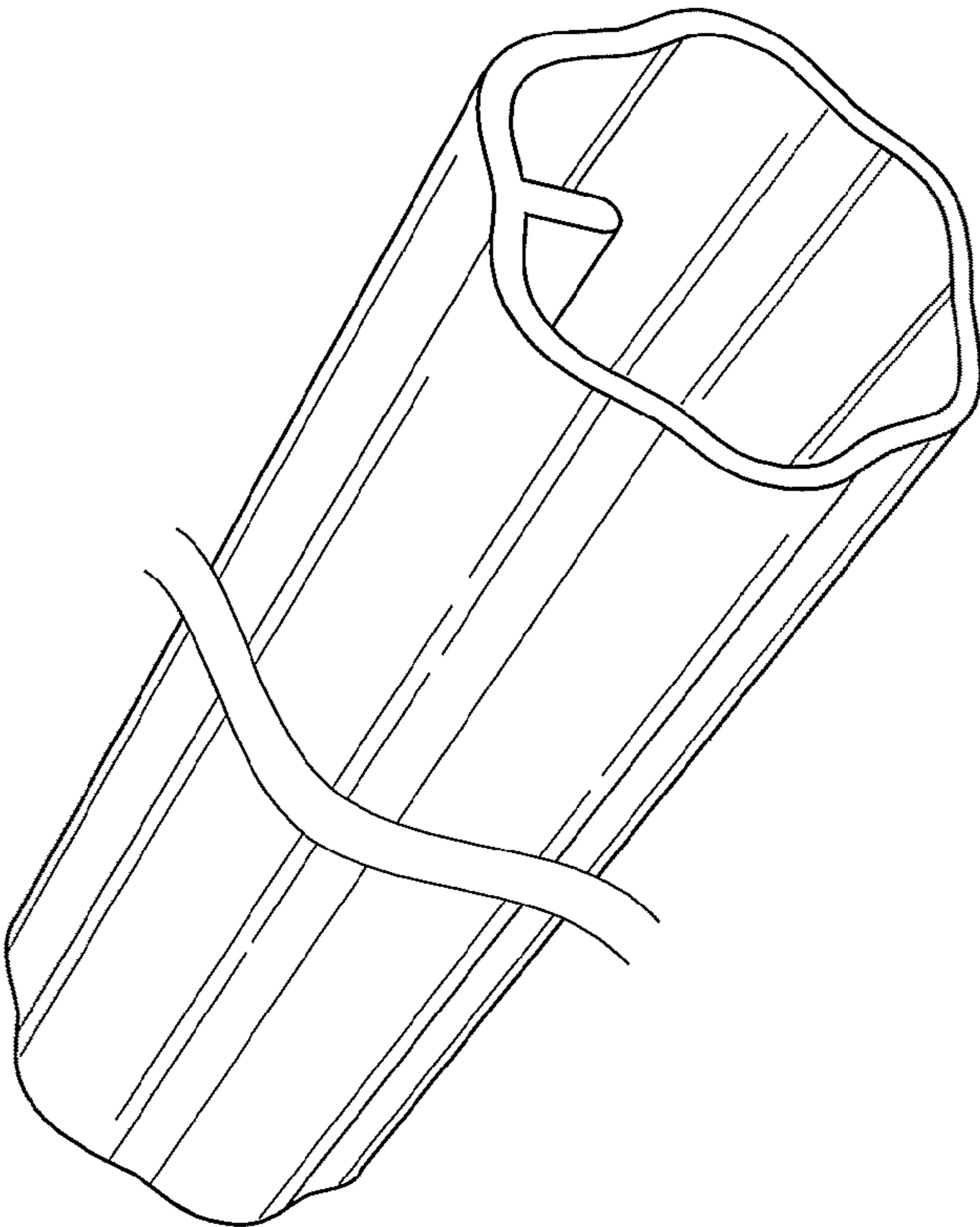


FIG. 2

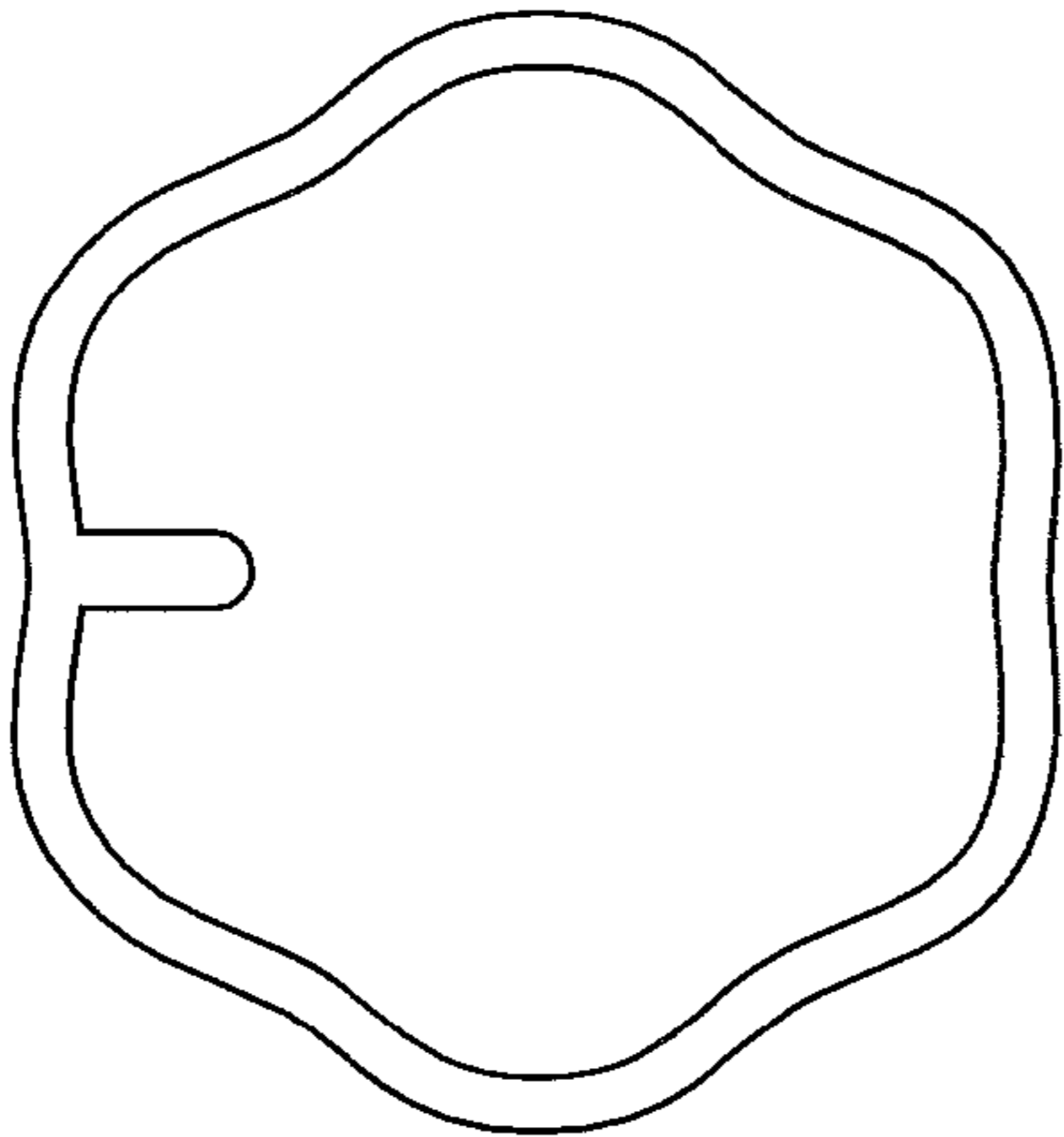


FIG. 3