



US00D645510S

(12) **United States Design Patent**
Liu

(10) **Patent No.:** **US D645,510 S**
(45) **Date of Patent:** **** Sep. 20, 2011**

(54) **DRY ERASE MARKER**

(75) Inventor: **Dan Liu**, Ningbo (CN)

(73) Assignee: **Beifa Group Co., Ltd.**, Ningbo (CN)

(**) Term: **14 Years**

(21) Appl. No.: **29/366,573**

(22) Filed: **Jul. 27, 2010**

(30) **Foreign Application Priority Data**

Jan. 30, 2010 (CN) 2010 3 0111322

(51) **LOC (9) Cl.** **19-06**

(52) **U.S. Cl.** **D19/41**

(58) **Field of Classification Search** D14/411,
D14/431; D19/35.36, 41, 42, 43, 44, 45,
D19/46, 47, 48, 49, 50, 51, 53, 54, 55, 56,
D19/57, 58; D21/469; D24/114; D26/37,
D26/49; D28/7; 24/11 F, 11 P, 11 R; 401/8,
401/34, 52, 99, 100, 104, 105, 106, 107,
401/108, 109, 131, 186, 192, 195, 196, 206
See application file for complete search history.

(56) **References Cited**

U.S. PATENT DOCUMENTS

1,334,031 A * 3/1920 Hahn 40/335
(Continued)

FOREIGN PATENT DOCUMENTS

EM 000172143-0001 * 7/2004
(Continued)

OTHER PUBLICATIONS

Liu, L., "Combination Pen and Flashlight," U.S. Appl. No. 29/353,488, filed Jan. 8, 2010.

(Continued)

Primary Examiner — Karen E Eldridge Powers

(74) *Attorney, Agent, or Firm* — Christenson O'Connor Johnson Kindness PLLC

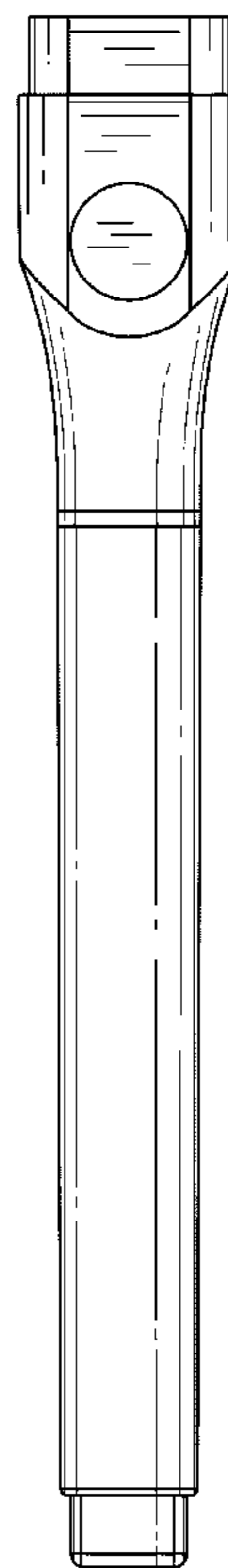
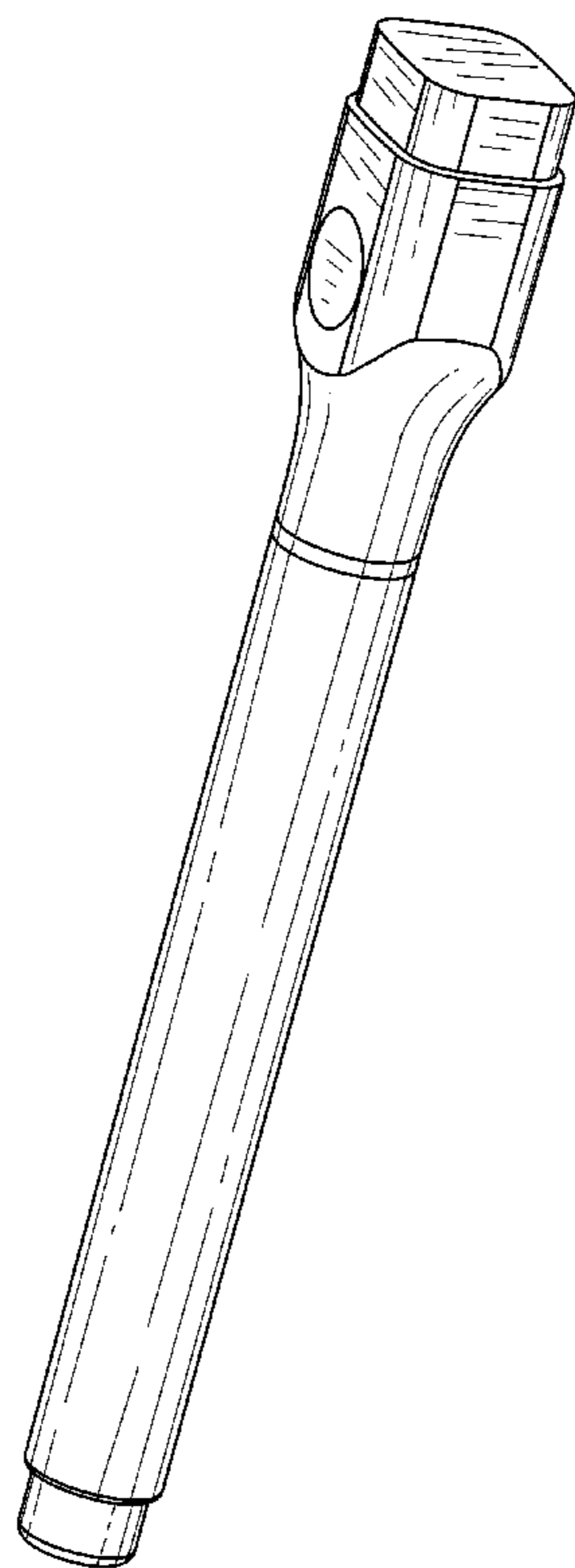
(57) **CLAIM**

The ornamental design for a dry erase marker, as shown and described.

DESCRIPTION

FIG. 1 is an upper front right perspective view of a dry erase marker showing my new design;
FIG. 2 is a right side elevation view thereof, with the left side elevation view being a mirror image of the right side elevation view;
FIG. 3 is a front elevation view thereof;
FIG. 4 is a rear elevation view thereof;
FIG. 5 is a top plan view thereof; and,
FIG. 6 is a bottom plan view thereof.

1 Claim, 3 Drawing Sheets



US D645,510 S

Page 2

U.S. PATENT DOCUMENTS

1,497,593 A * 6/1924 Rope 401/195
1,750,912 A * 3/1930 Towne 401/83
D98,496 S * 2/1936 Britton D19/46
D104,522 S * 5/1937 Beck D19/53
2,087,310 A * 7/1937 Van Dorn 15/431
D113,977 S * 3/1939 Shannon D19/53
D124,232 S * 12/1940 Juelss D19/53
D149,356 S * 4/1948 Jalof D19/73
D223,307 S * 4/1972 Nockolds D19/51
D243,331 S * 2/1977 Jaunarajs D19/42
D252,973 S * 9/1979 Bateman et al. D8/104
D266,769 S 11/1982 Camps
D315,219 S 3/1991 Brinkmann
D316,109 S 4/1991 Pappageorge
5,190,388 A * 3/1993 Lee 401/52
D346,619 S * 5/1994 Ho D19/36
5,423,622 A * 6/1995 Perrotti 401/59

D448,046 S 9/2001 Polidoro
D448,407 S 9/2001 Huang
D467,970 S 12/2002 Pellissa Beneyto
D480,755 S * 10/2003 Rosenbaum D19/36
D482,397 S 11/2003 Hui
D545,366 S 6/2007 Ternovits
D568,394 S * 5/2008 Maruyama D19/55
D601,627 S 10/2009 Liu
2007/0053739 A1 * 3/2007 Kroggel 401/195

FOREIGN PATENT DOCUMENTS

KR 300394371.0000 * 10/2005

OTHER PUBLICATIONS

Wang, W., "Pen," U.S. Appl. No. 29/351,344, filed Dec. 3, 2009.

Wang, W., "Pen," U.S. Appl. No. 29/351,345, filed Dec. 3, 2009.

* cited by examiner

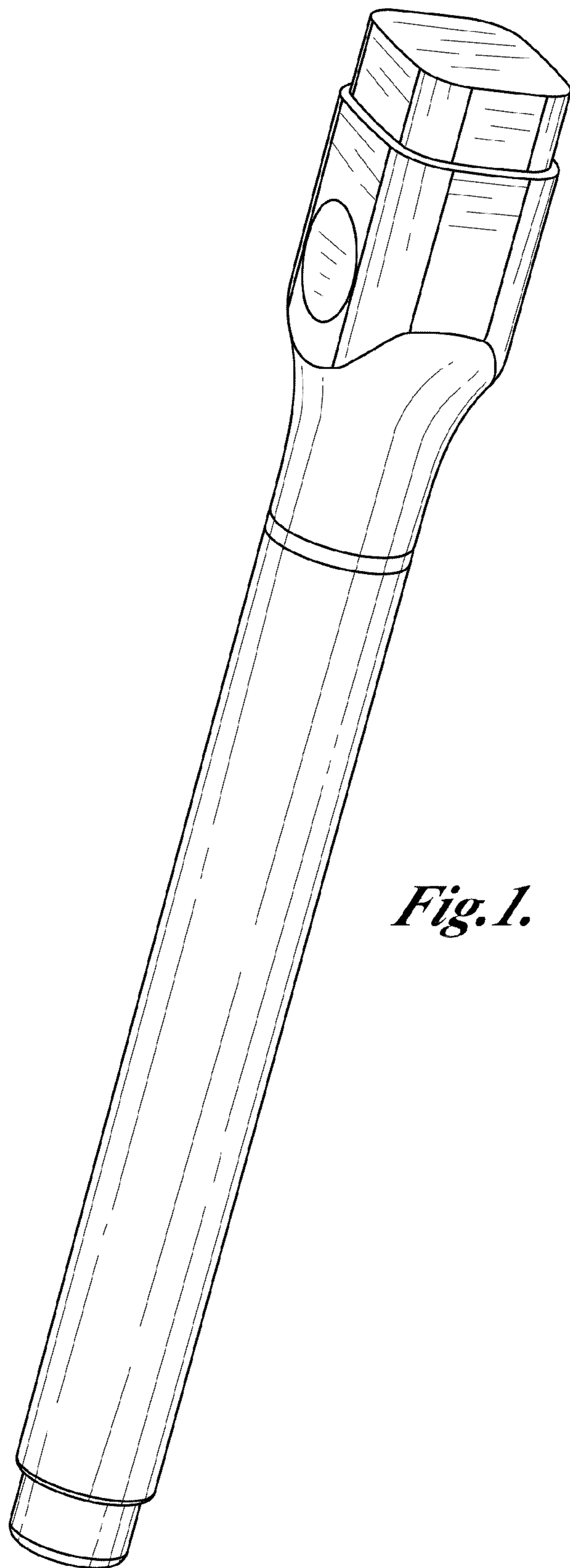


Fig. 1.

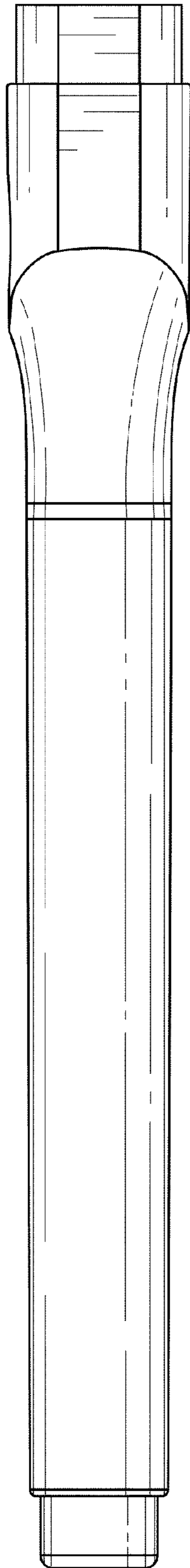


Fig. 2.

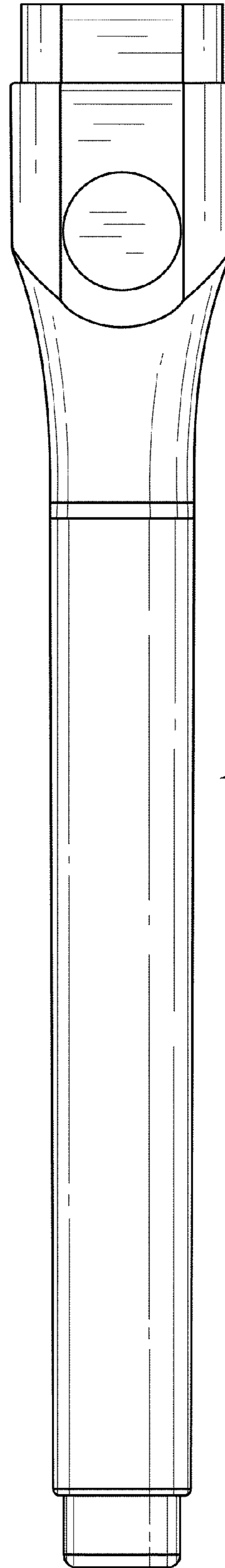


Fig. 3.

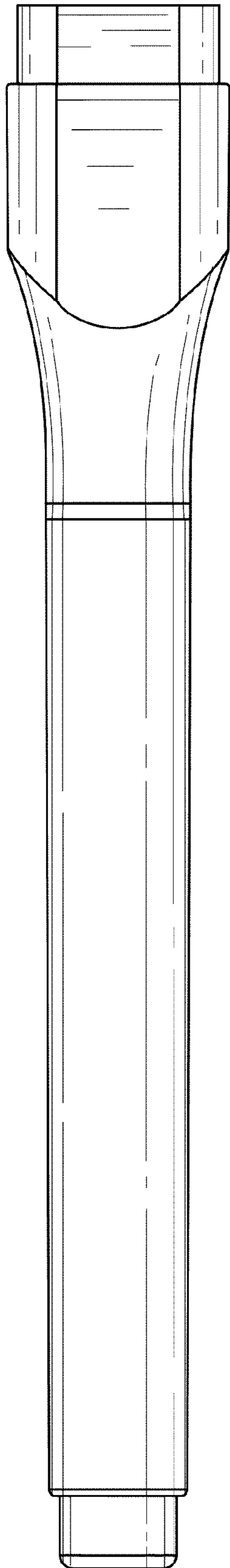


Fig. 4.

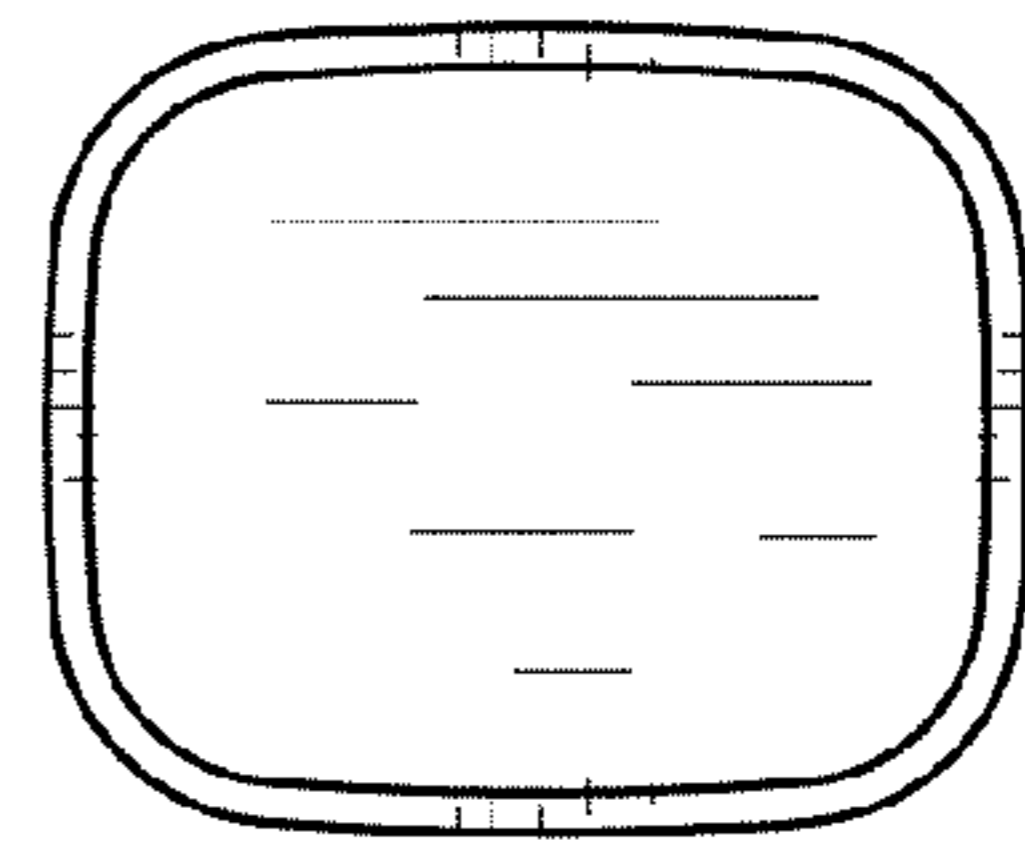


Fig. 5.

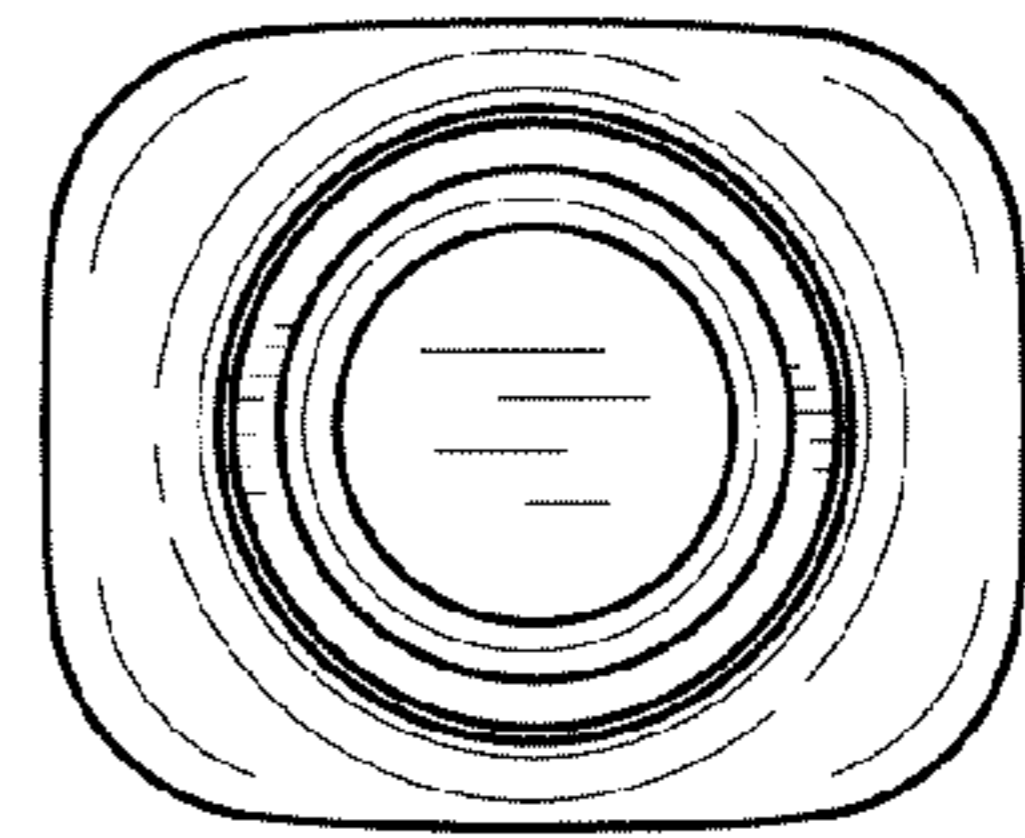


Fig. 6.

UNITED STATES PATENT AND TRADEMARK OFFICE
CERTIFICATE OF CORRECTION

PATENT NO. : D645,510 S
APPLICATION NO. : 29/366573
DATED : September 20, 2011
INVENTOR(S) : D. Liu

Page 1 of 1

It is certified that error appears in the above-identified patent and that said Letters Patent is hereby corrected as shown below:

COLUMN

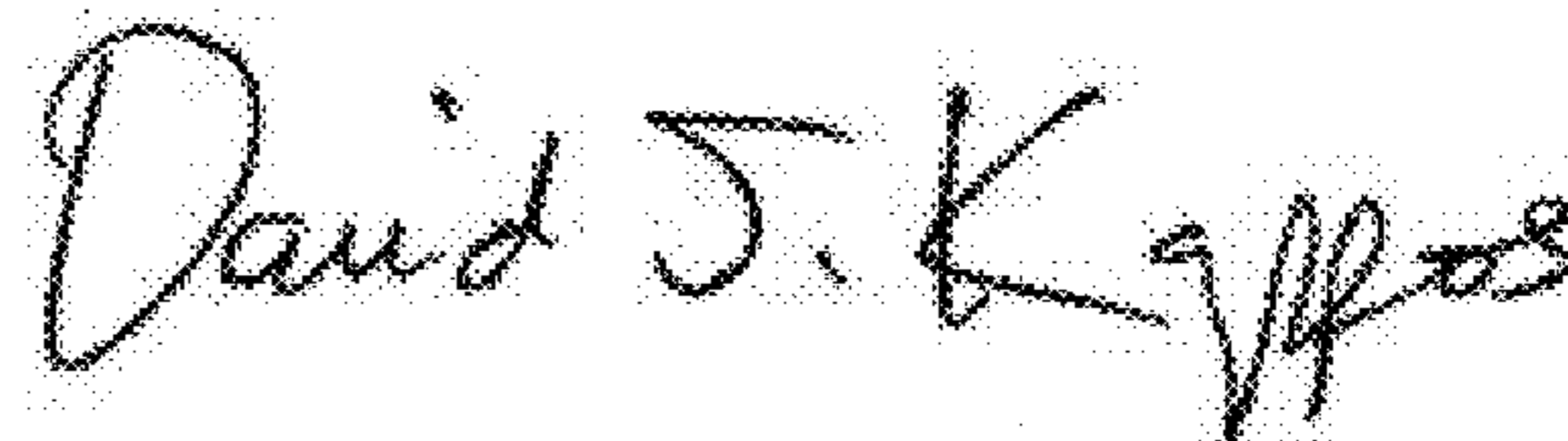
LINE

(74)
Pg. 1, col. 2

Attorney,
Agent, or Firm

“Christenson” should read --Christensen--

Signed and Sealed this
Sixth Day of December, 2011



David J. Kappos
Director of the United States Patent and Trademark Office