



US00D645503S

(12) **United States Design Patent**
Carter, II et al.

(10) **Patent No.:** **US D645,503 S**

(45) **Date of Patent:** **** Sep. 20, 2011**

(54) **LASER PRINTER CARTRIDGE**

(75) Inventors: **James Anthony Carter, II**, Lexington, KY (US); **Gregory Alan Cavill**, Winchester, KY (US); **Gary Neal Hackney**, Lexington, KY (US); **Benjamin Keith Newman**, Lexington, KY (US); **Richard Winston Thomas**, Lexington, KY (US); **Christopher Gene Vowels**, Versailles, KY (US); **Rebecca J. Perkins**, Madison, WI (US)

(73) Assignee: **Lexmark International, Inc.**, Lexington, KY (US)

(**) Term: **14 Years**

(21) Appl. No.: **29/340,566**

(22) Filed: **Jul. 21, 2009**

(51) **LOC (9) Cl.** **18-02**

(52) **U.S. Cl.** **D18/56**

(58) **Field of Classification Search** D18/36, D18/40, 43, 56; 399/24, 25, 27, 31, 61, 99, 399/106, 110, 111, 119, 130, 262; 222/DIG. 1
See application file for complete search history.

(56) **References Cited**

U.S. PATENT DOCUMENTS

D399,249 S	*	10/1998	Burdick et al.	D18/43
D401,618 S	*	11/1998	Ikehata	D18/43
D461,493 S	*	8/2002	Tajima et al.	D18/56
D461,494 S	*	8/2002	Tajima et al.	D18/56
D471,583 S	*	3/2003	Okabe et al.	D18/40
D514,618 S	*	2/2006	Nakamura et al.	D18/56
D517,596 S	*	3/2006	Suzuki et al.	D18/56

D534,205 S	*	12/2006	Workman et al.	D18/34.9
D573,634 S	*	7/2008	Horiuchi et al.	D18/56
D597,594 S	*	8/2009	Ito et al.	D18/56
D611,093 S	*	3/2010	Kanbara et al.	D18/56
D611,532 S	*	3/2010	Nanjo et al.	D18/56
D626,173 S	*	10/2010	Inoue et al.	D18/56

* cited by examiner

Primary Examiner — Holly Baynham

Assistant Examiner — Michelle E Wilson

(74) *Attorney, Agent, or Firm* — John Victor Pezdek

(57) **CLAIM**

The ornamental design for a laser printer cartridge, as shown and described.

DESCRIPTION

FIG. 1 is a left side perspective view of a laser printer cartridge showing our new design;

FIG. 2 is a right side view of the laser printer cartridge shown in FIG. 1;

FIG. 3 is a left view of the laser printer cartridge shown in FIG. 1;

FIG. 4 is a front side of the laser printer cartridge shown in FIG. 1;

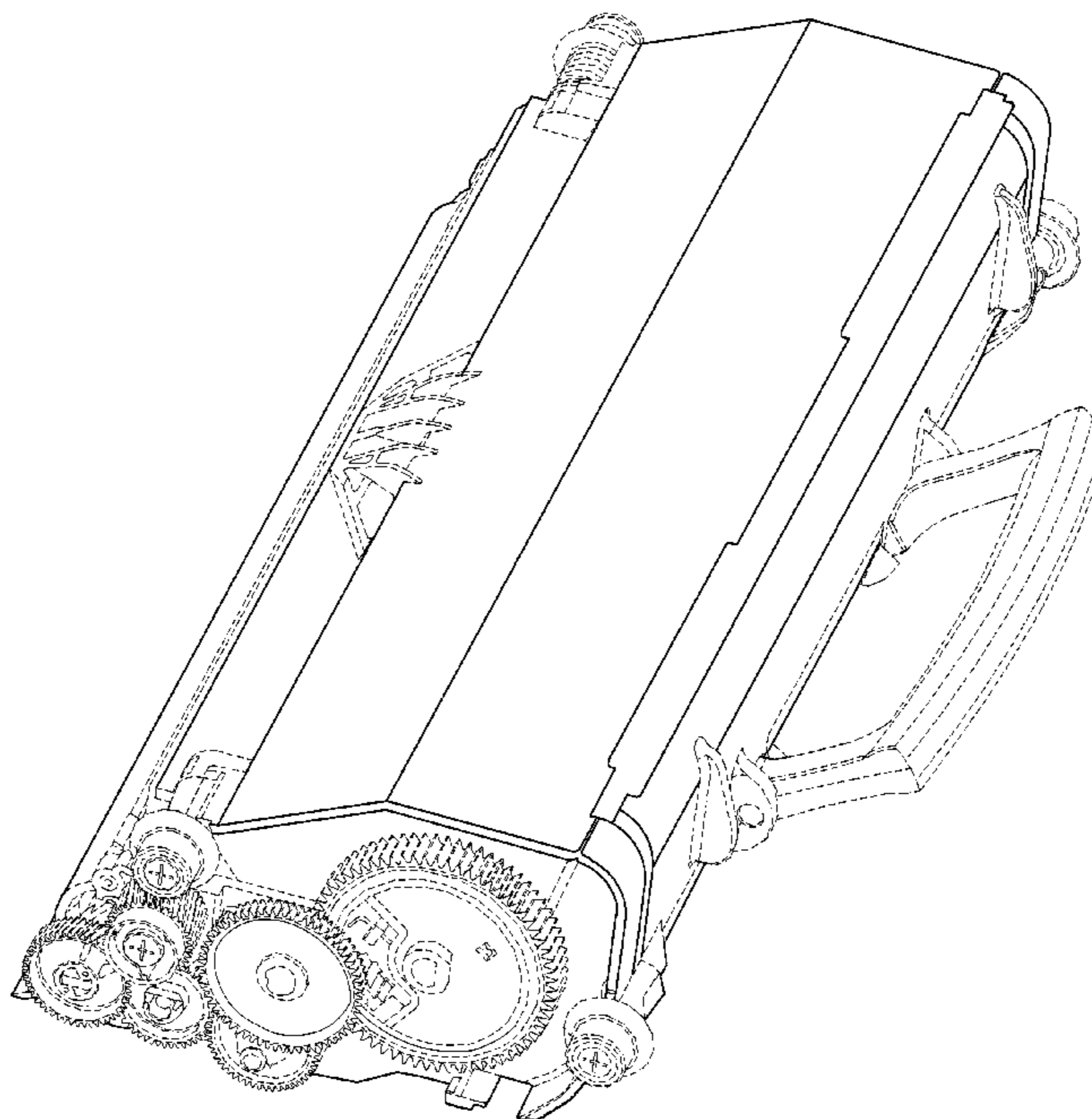
FIG. 5 is a rear side view of the laser printer cartridge shown in FIG. 1;

FIG. 6 is a top view of the laser printer cartridge shown in FIG. 1; and,

FIG. 7 is a bottom side view of the laser printer cartridge in FIG. 1.

The broken line showing of the interior portions of the laser printer cartridge are included for the purpose of illustrating environmental structure and form no part of the claimed design.

1 Claim, 7 Drawing Sheets



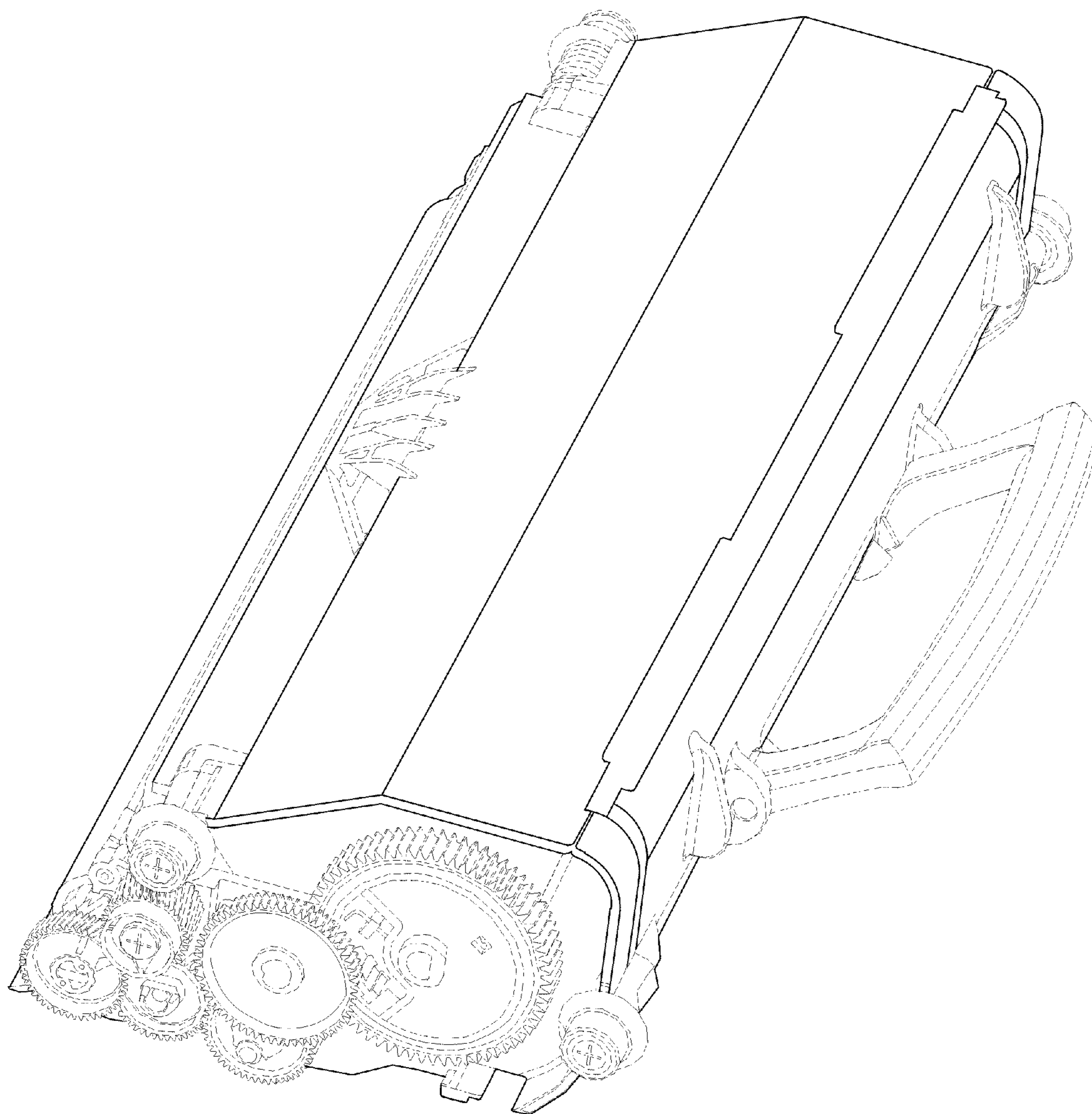


Fig. 1

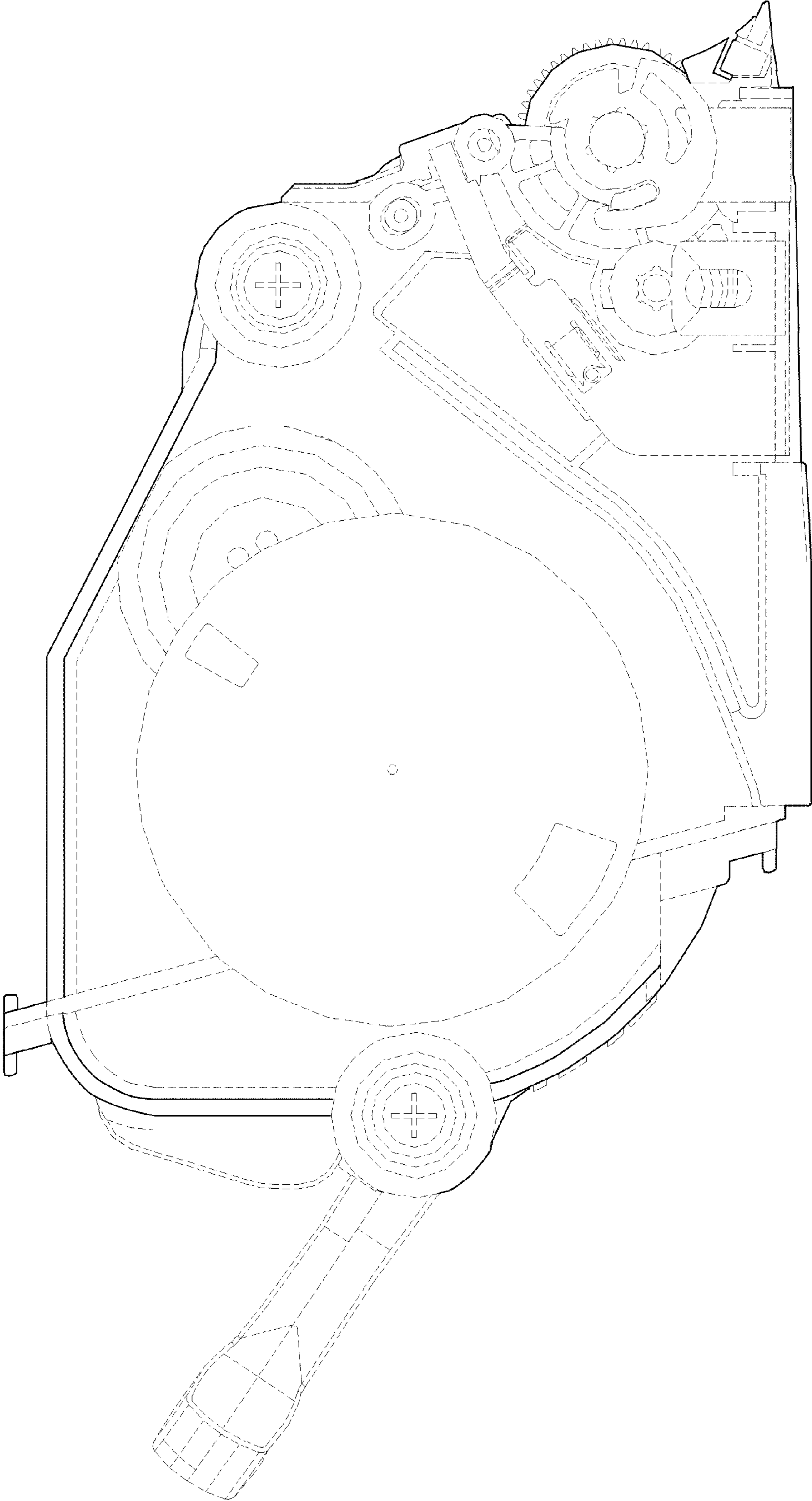


Fig. 2

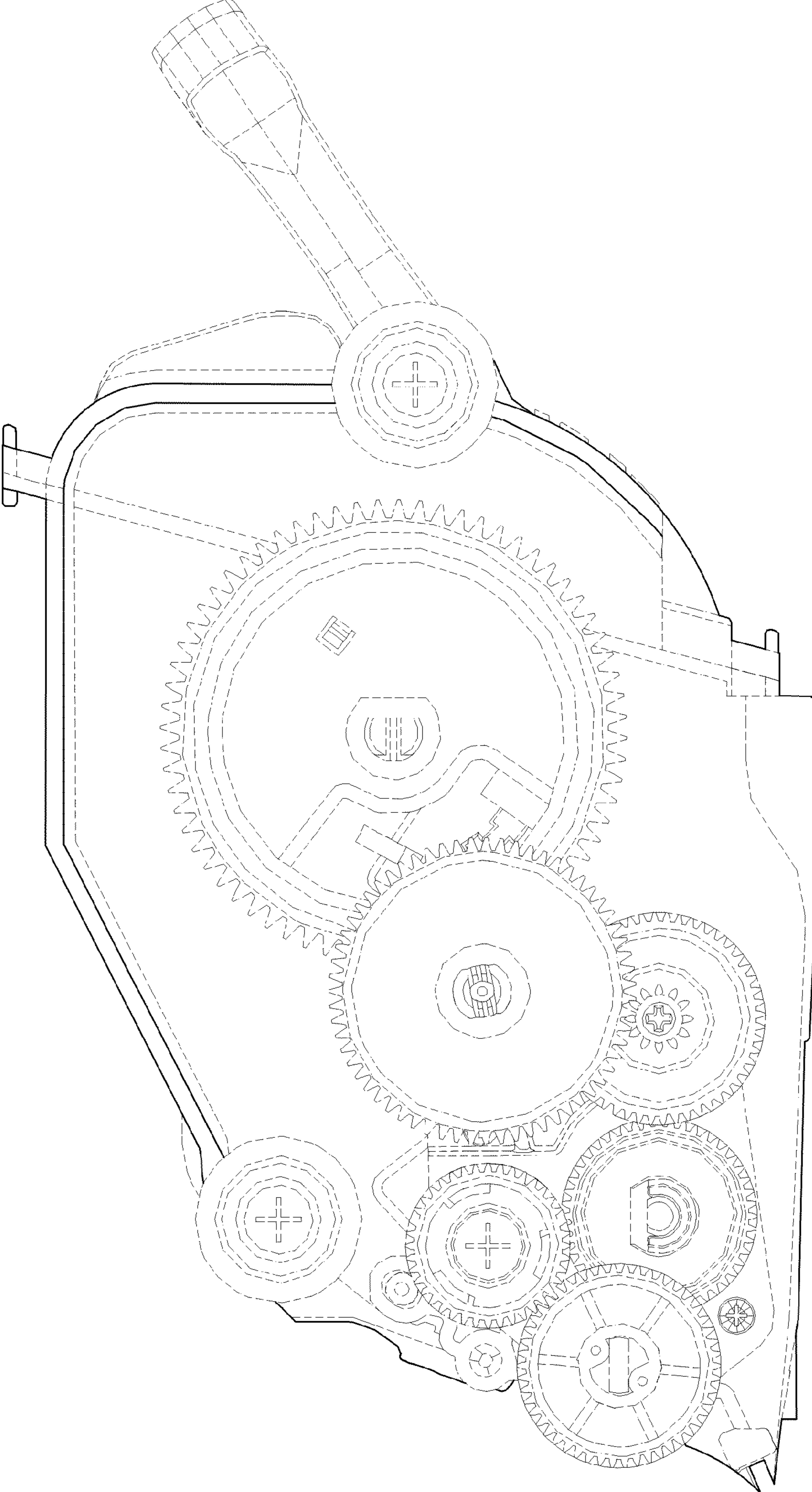


Fig. 3

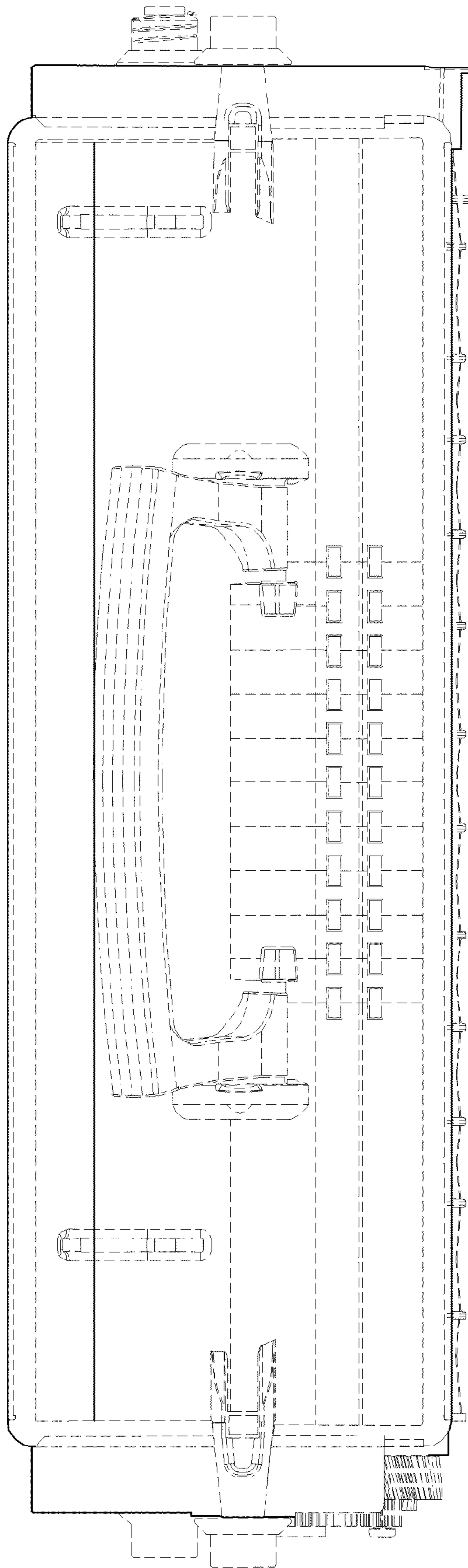


Fig. 4

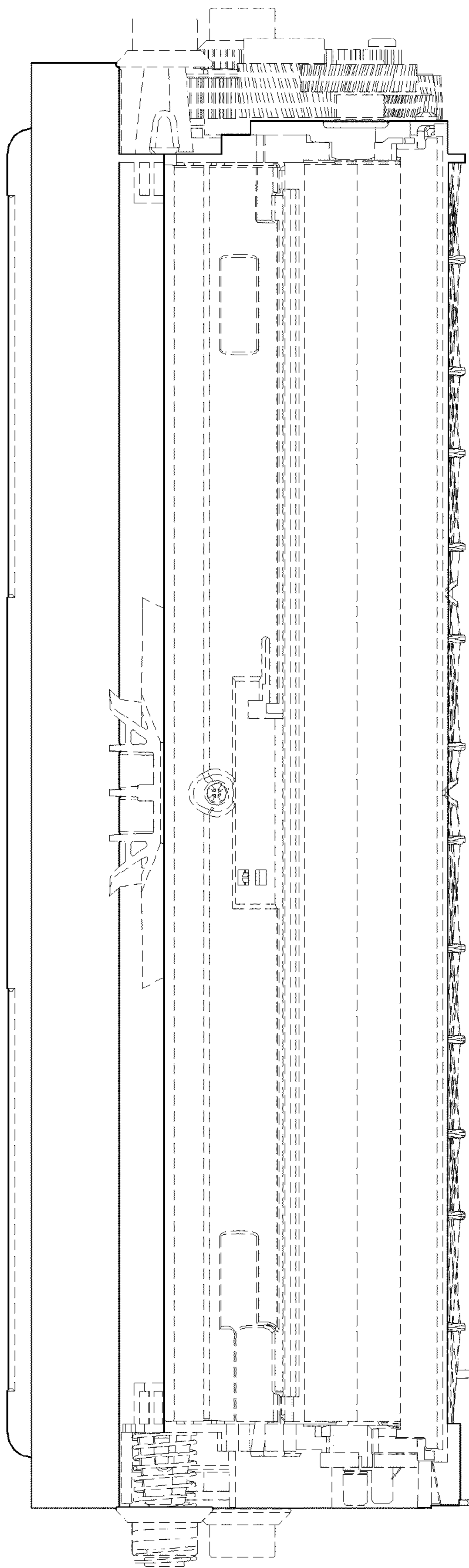


Fig. 5

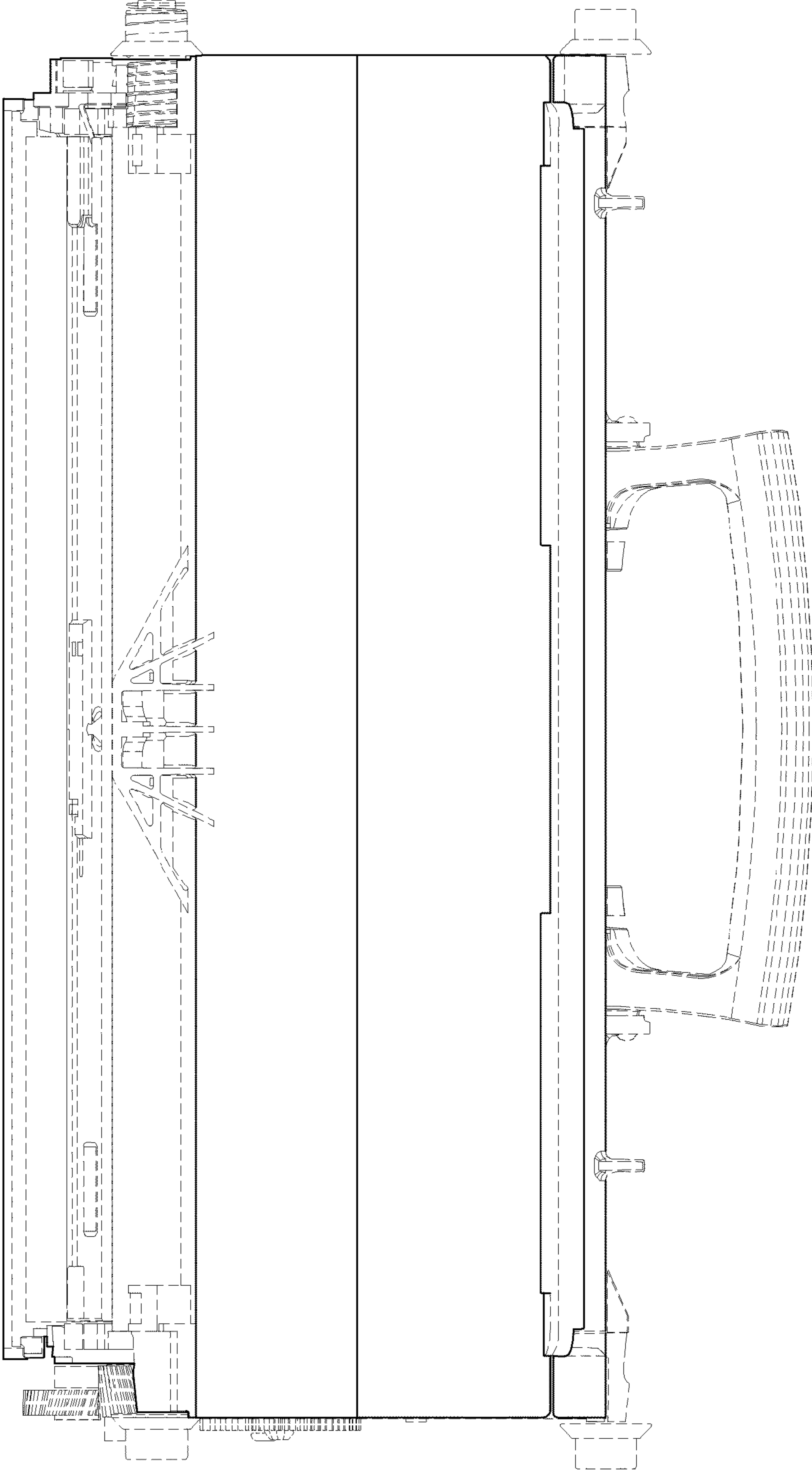


Fig. 6

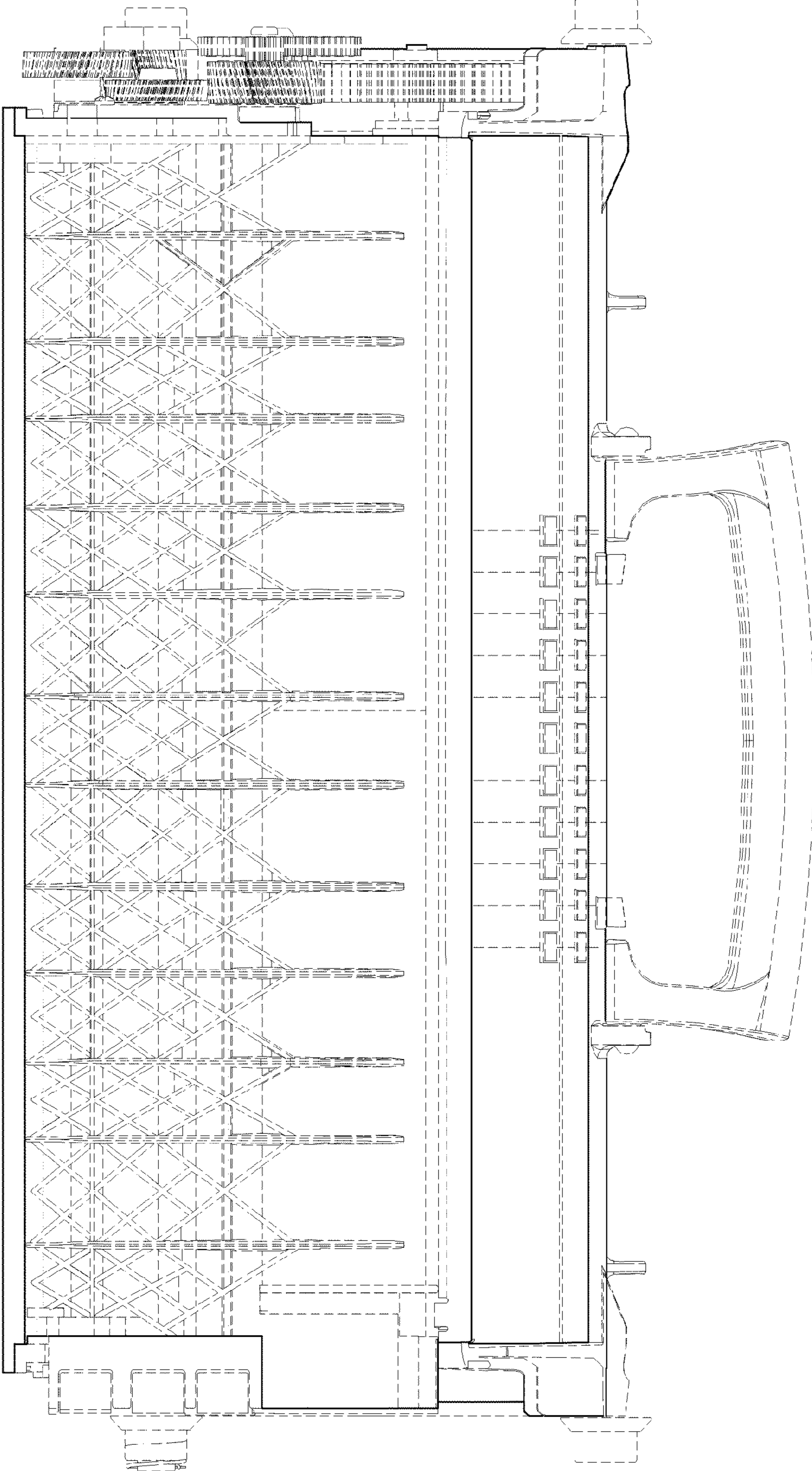


Fig. 7