



US00D645502S

(12) **United States Design Patent**
Amemiya et al.

(10) **Patent No.:** **US D645,502 S**

(45) **Date of Patent:** **** Sep. 20, 2011**

(54) **PRINTER**

(75) Inventors: **Kanae Amemiya**, Tokyo (JP); **Shuuji Nagano**, Kawasaki (JP)

(73) Assignee: **Ricoh Company, Ltd.**, Tokyo (JP)

(**) Term: **14 Years**

(21) Appl. No.: **29/369,829**

(22) Filed: **Sep. 14, 2010**

(30) **Foreign Application Priority Data**

Mar. 17, 2010 (JP) 2010-006597

(51) **LOC (9) Cl.** **14-02**

(52) **U.S. Cl.** **D18/55**

(58) **Field of Classification Search** D18/19,
D18/36-37, 50, 54-54.1, 55; D14/420-425,
D14/463-470; 400/613, 613.1-613.4, 690,
400/690.1-690.4, 691-694

See application file for complete search history.

(56) **References Cited**

U.S. PATENT DOCUMENTS

D368,274 S * 3/1996 Gassett et al. D18/55
D371,157 S * 6/1996 Chambers D18/50

D403,015 S * 12/1998 Fetherolf D18/55
D403,350 S * 12/1998 Chambers et al. D18/55
D443,891 S * 6/2001 Yonekawa et al.
D478,619 S * 8/2003 Agata et al. D18/55
D530,361 S * 10/2006 Chambers D18/50
D533,586 S * 12/2006 Nakamura et al. D18/55
D540,851 S * 4/2007 Gilbert et al. D18/50
D579,490 S * 10/2008 Laidlaw et al. D18/55
D634,360 S * 3/2011 Brown et al. D18/55

* cited by examiner

Primary Examiner — Cathy A MacCormac

(74) *Attorney, Agent, or Firm* — Dickstein Shapiro LLP

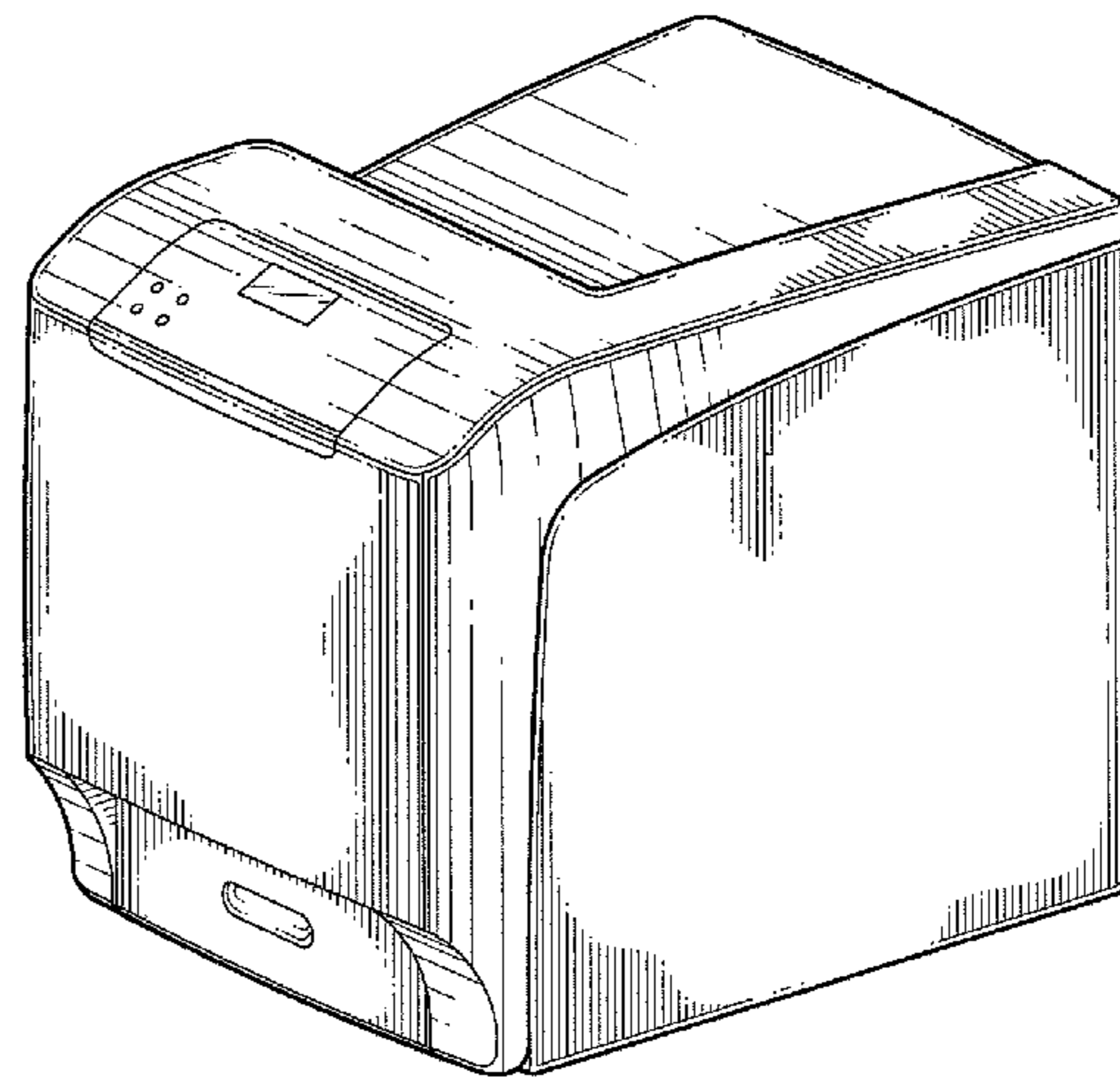
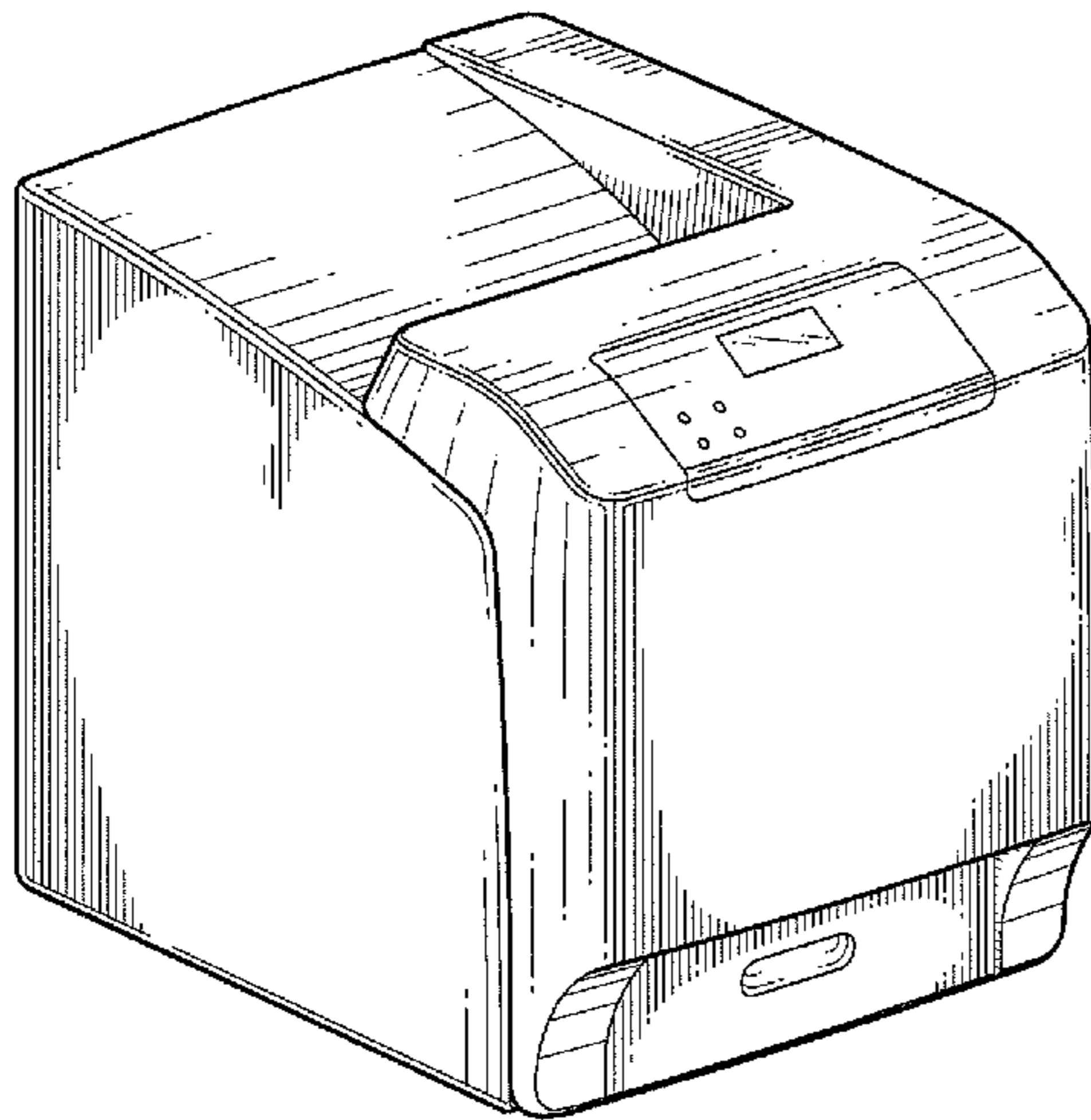
(57) **CLAIM**

The ornamental design for printer, as shown and described.

DESCRIPTION

FIG. 1 is a top, front and right side perspective view of printer, showing the design;
FIG. 2 is a top, front and left side perspective view thereof;
FIG. 3 is a front view thereof
FIG. 4 is a rear view thereof;
FIG. 5 is a right side view thereof;
FIG. 6 is a left side view thereof;
FIG. 7 is a top view thereof; and,
FIG. 8 is a bottom view thereof.

1 Claim, 4 Drawing Sheets



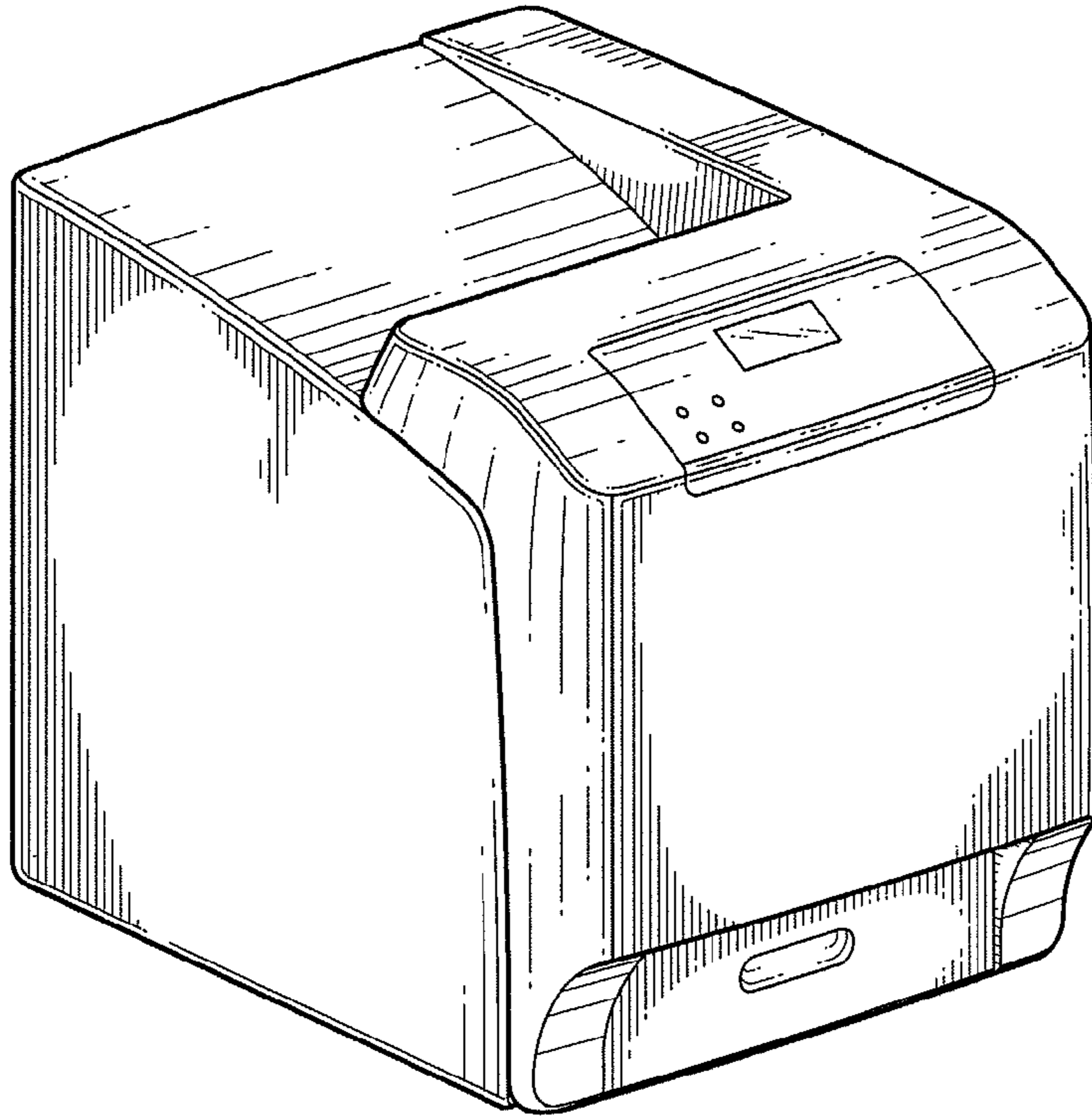


FIG.1

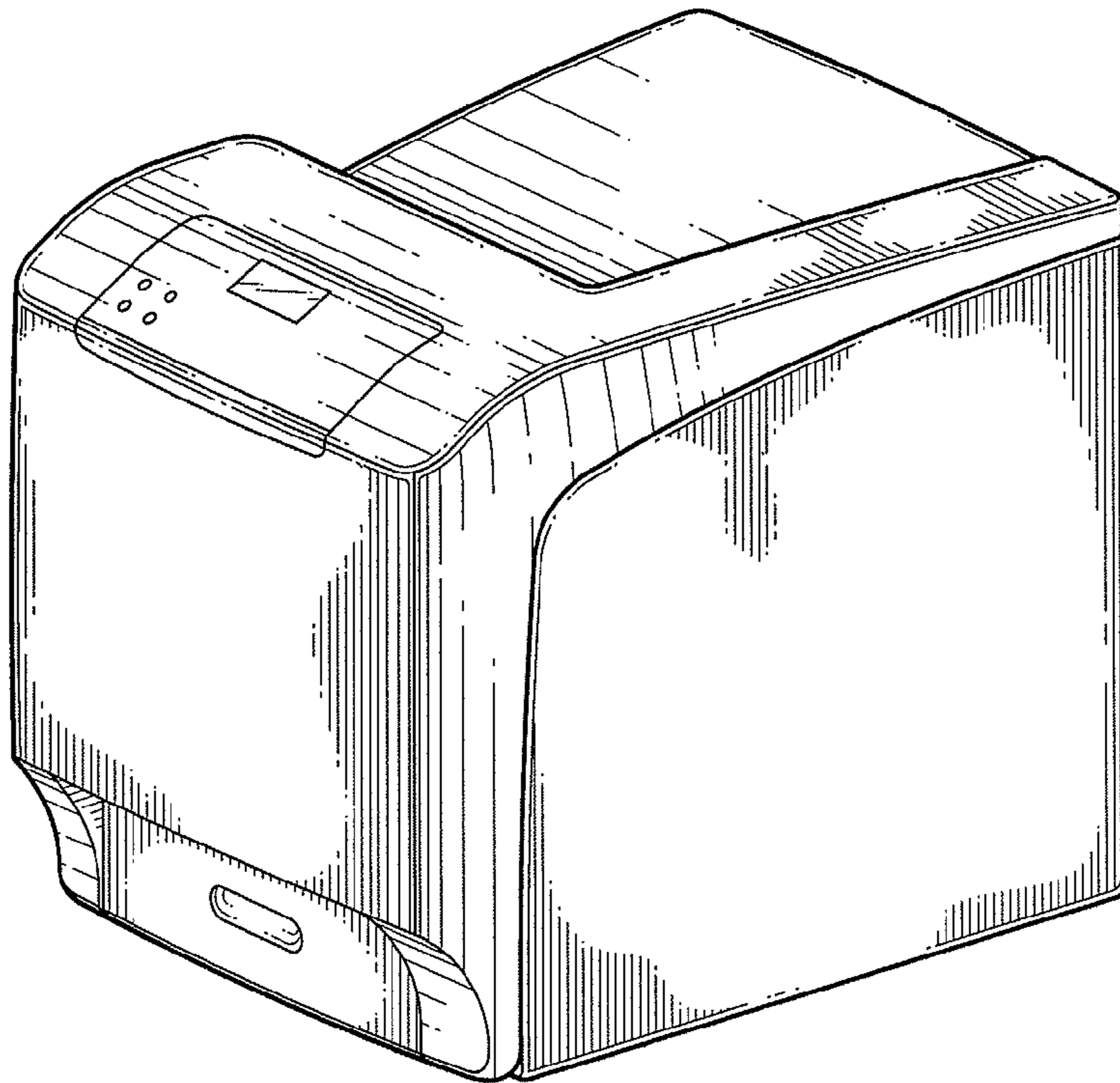


FIG.2

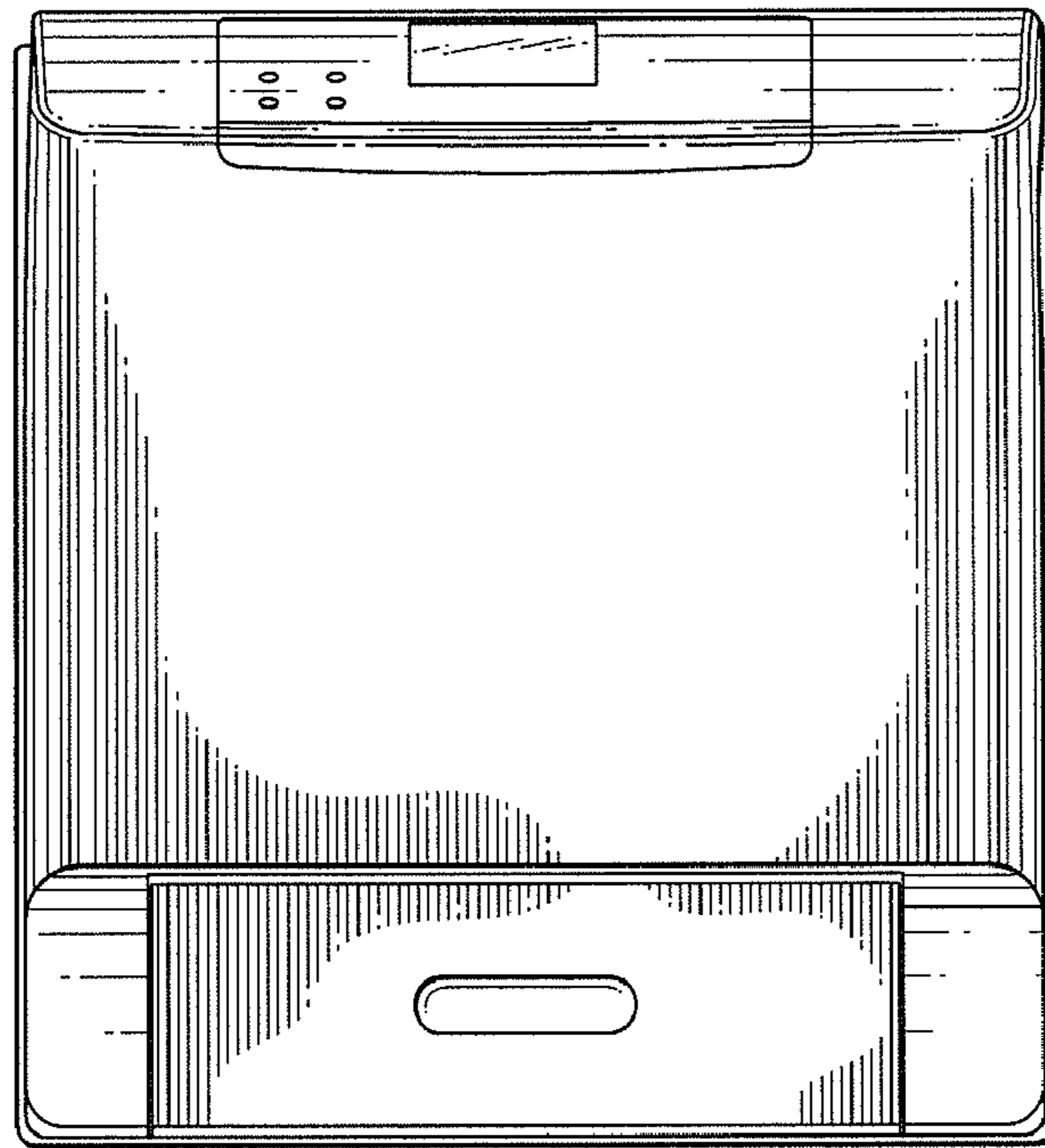


FIG.3

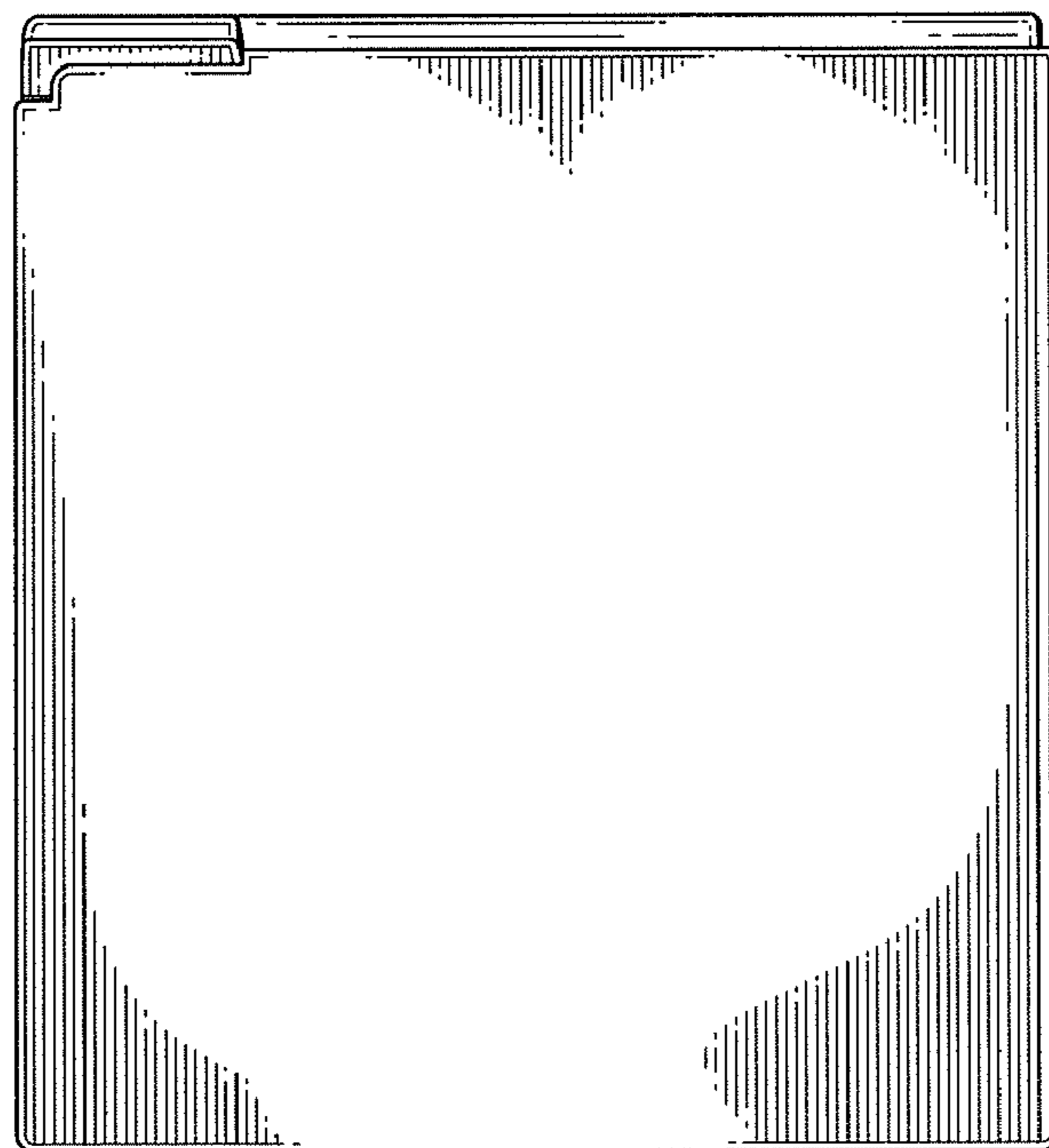


FIG.4

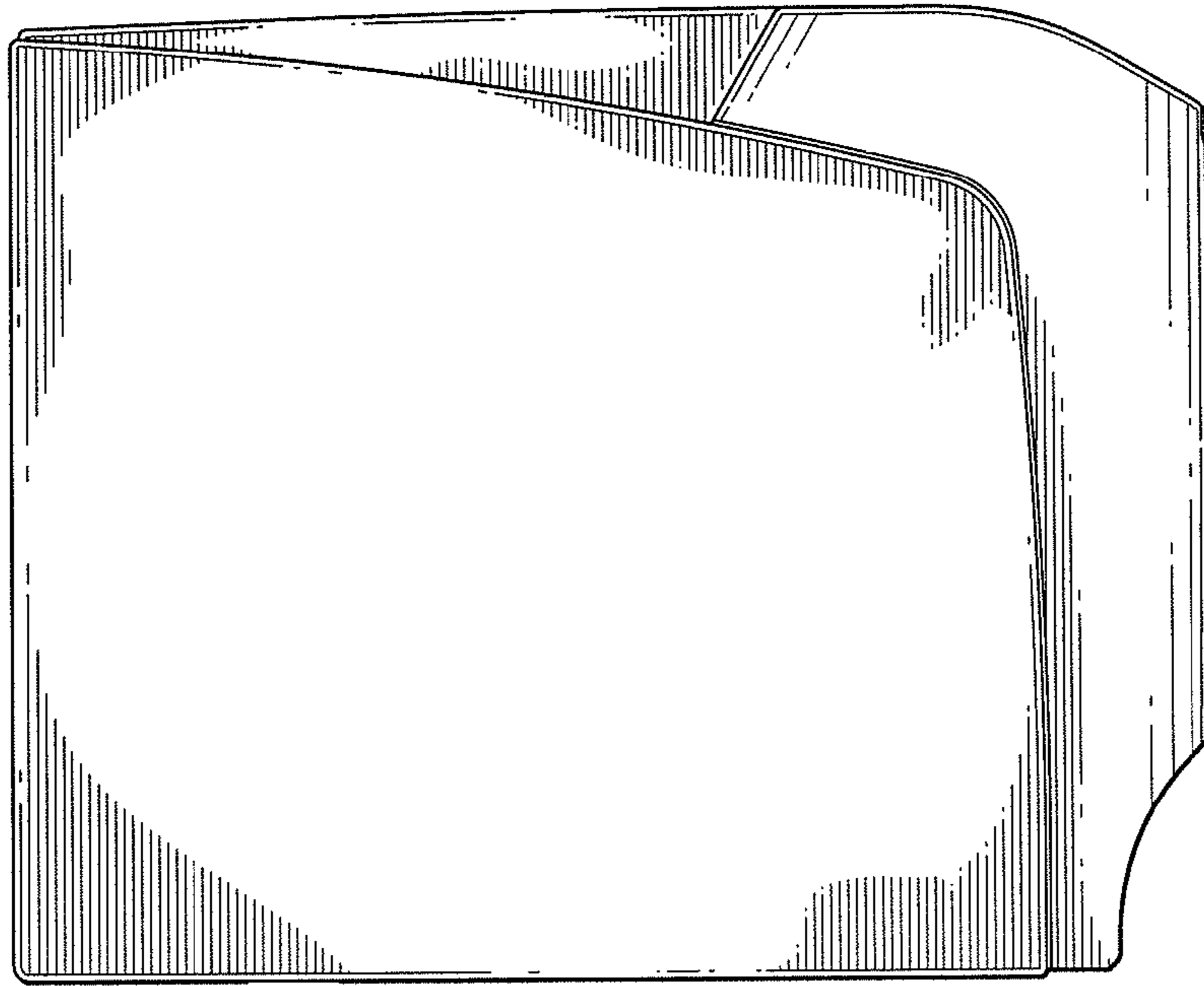


FIG. 5

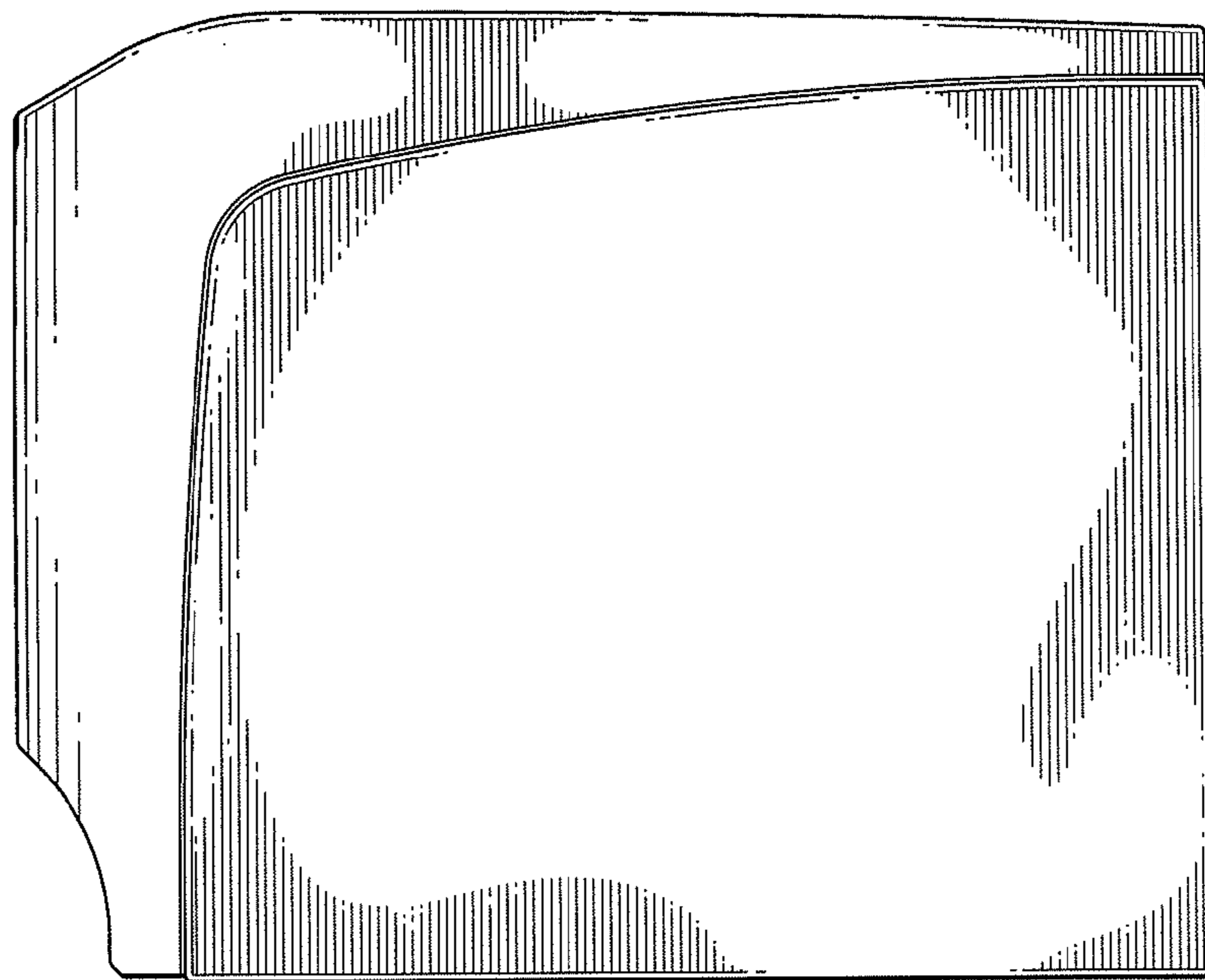


FIG. 6

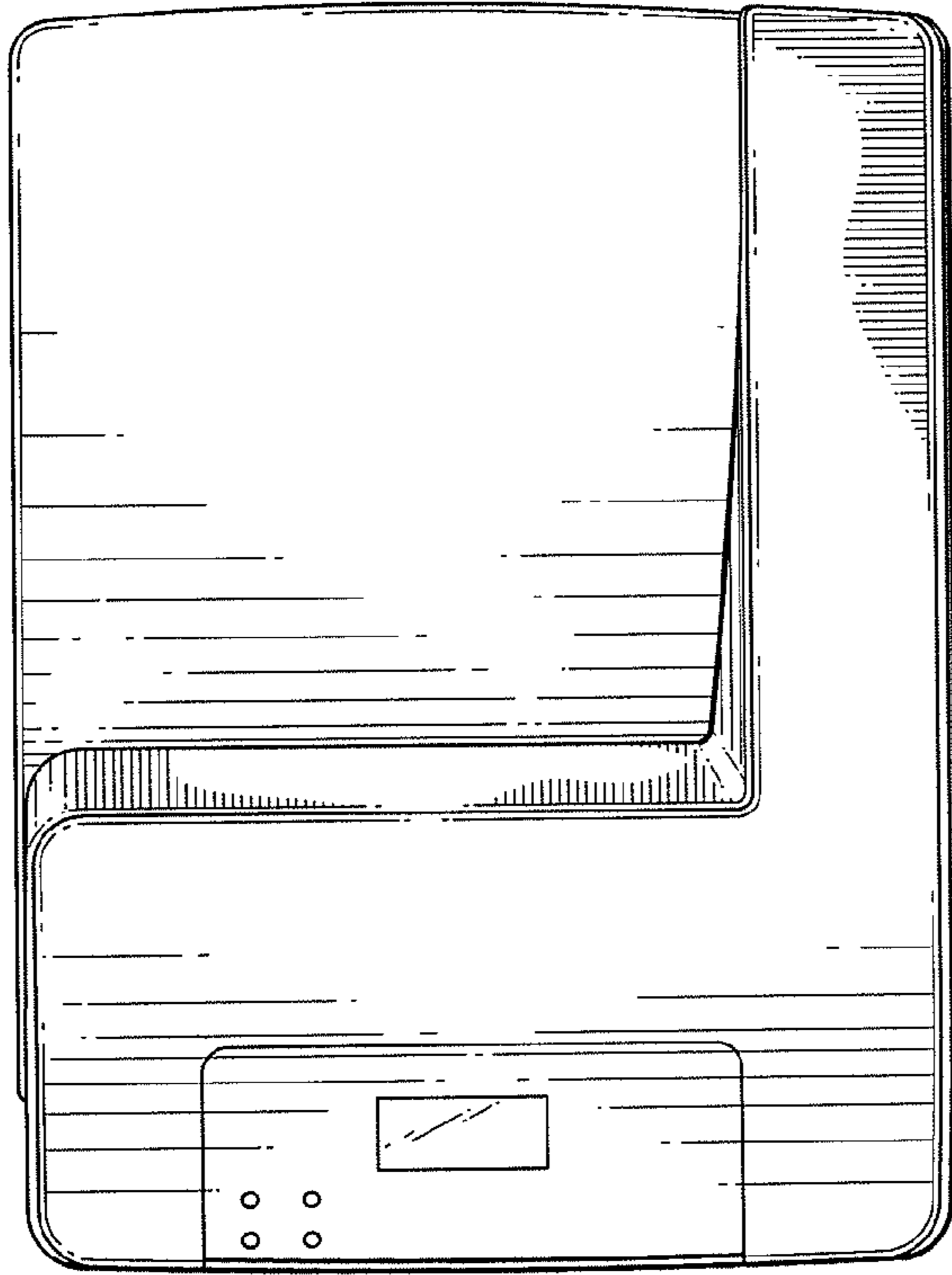


FIG. 7



FIG. 8