



US00D645493S

(12) **United States Design Patent**  
**Zhao**

(10) **Patent No.:** **US D645,493 S**

(45) **Date of Patent:** **\*\* Sep. 20, 2011**

(54) **COMBINED EYEGLASSES AND CAMERA**

(75) Inventor: **Ming Zhao**, Si Chuan Province (CN)

(73) Assignee: **Classic Ltd.**, Central (HK)

(\*\*) Term: **14 Years**

(21) Appl. No.: **29/381,828**

(22) Filed: **Dec. 23, 2010**

(51) **LOC (9) Cl.** ..... **16-06**

(52) **U.S. Cl.** ..... **D16/309**

(58) **Field of Classification Search** ..... D16/101,  
D16/300-342; D29/109-110; D24/110.2;  
351/41, 44, 51-52, 62, 158, 92, 103-123,  
351/140, 153, 45-46; 2/426-432, 447-449,  
2/441, 434-437, 13, 15; D21/483, 659-661,  
D21/598

See application file for complete search history.

(56) **References Cited**

**U.S. PATENT DOCUMENTS**

D287,021 S \* 12/1986 Johnson ..... D16/208  
D561,809 S \* 2/2008 Yee ..... D16/313  
D607,565 S \* 1/2010 McClure et al. .... D24/172

D610,184 S \* 2/2010 Pearson et al. .... D16/204  
D616,012 S \* 5/2010 Yee ..... D16/313  
D628,617 S \* 12/2010 Waters ..... D16/309  
2008/0192114 A1 \* 8/2008 Pearson et al. .... 348/81

\* cited by examiner

*Primary Examiner* — Raphael Barkai

(74) *Attorney, Agent, or Firm* — J.C. Patents

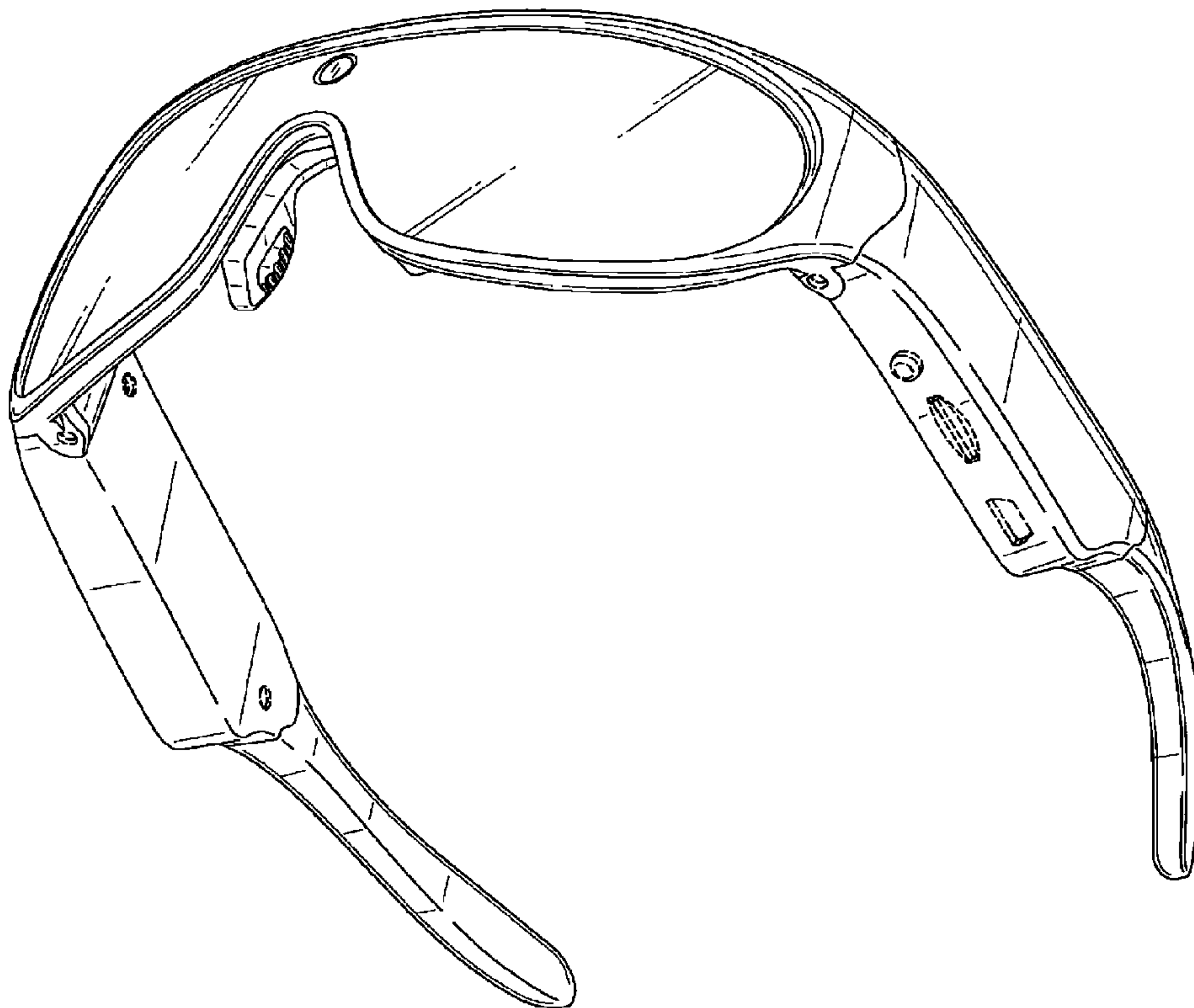
(57) **CLAIM**

The ornamental design for a combined eyeglasses and camera, as shown and described.

**DESCRIPTION**

FIG. 1 is a front perspective view of the combined eyeglasses and camera of the present invention;  
FIG. 2 is a front elevational view thereof;  
FIG. 3 is a rear elevational view thereof;  
FIG. 4 is a right-side elevational view thereof;  
FIG. 5 is a left-side elevational view thereof;  
FIG. 6 is a top plan view thereof; and,  
FIG. 7 is a bottom plan view thereof.  
Phantom lining, where utilized, is for illustrative purposes only and is not intended to limit the claimed design to the features shown in phantom.

**1 Claim, 7 Drawing Sheets**



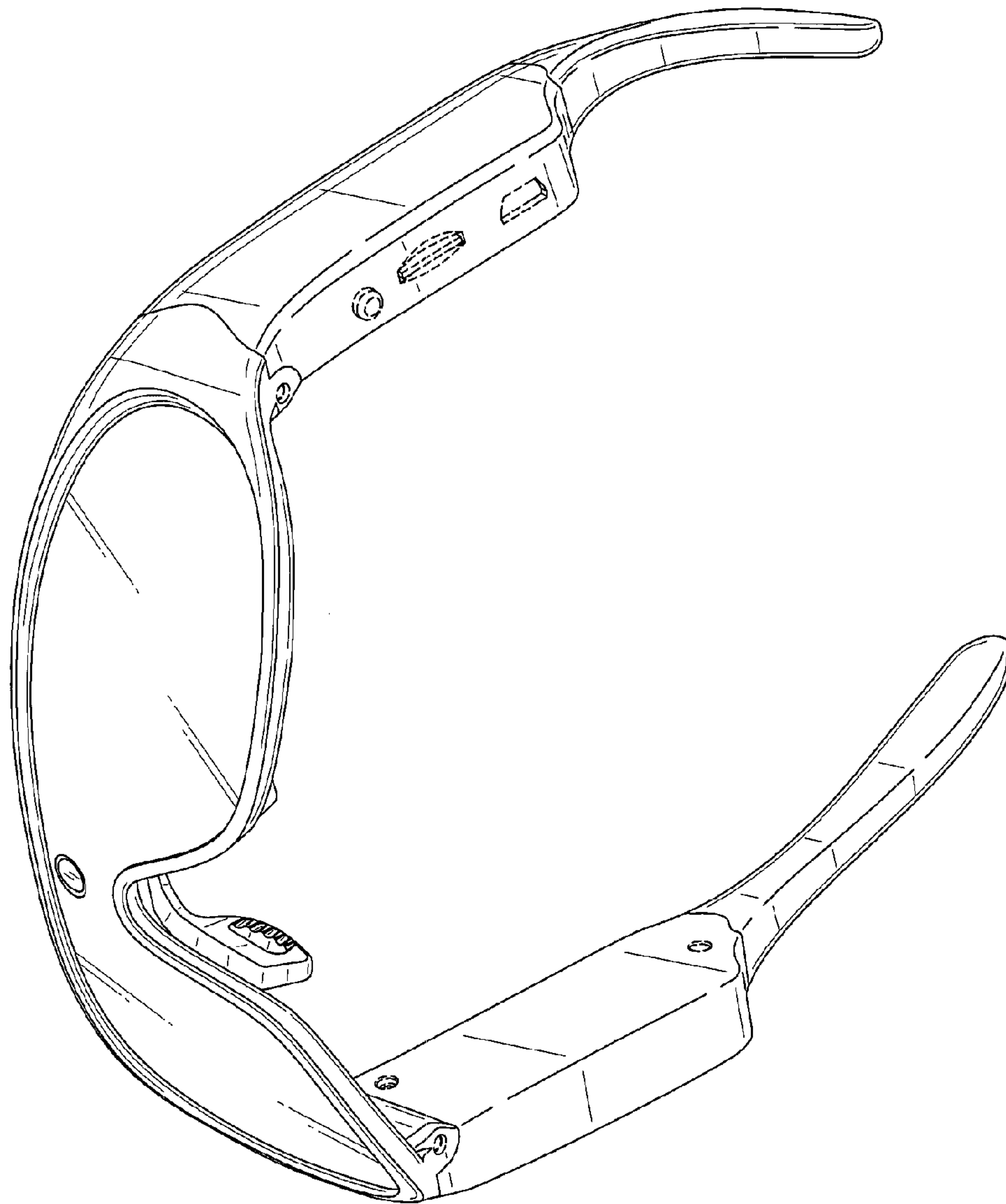


FIG. 1

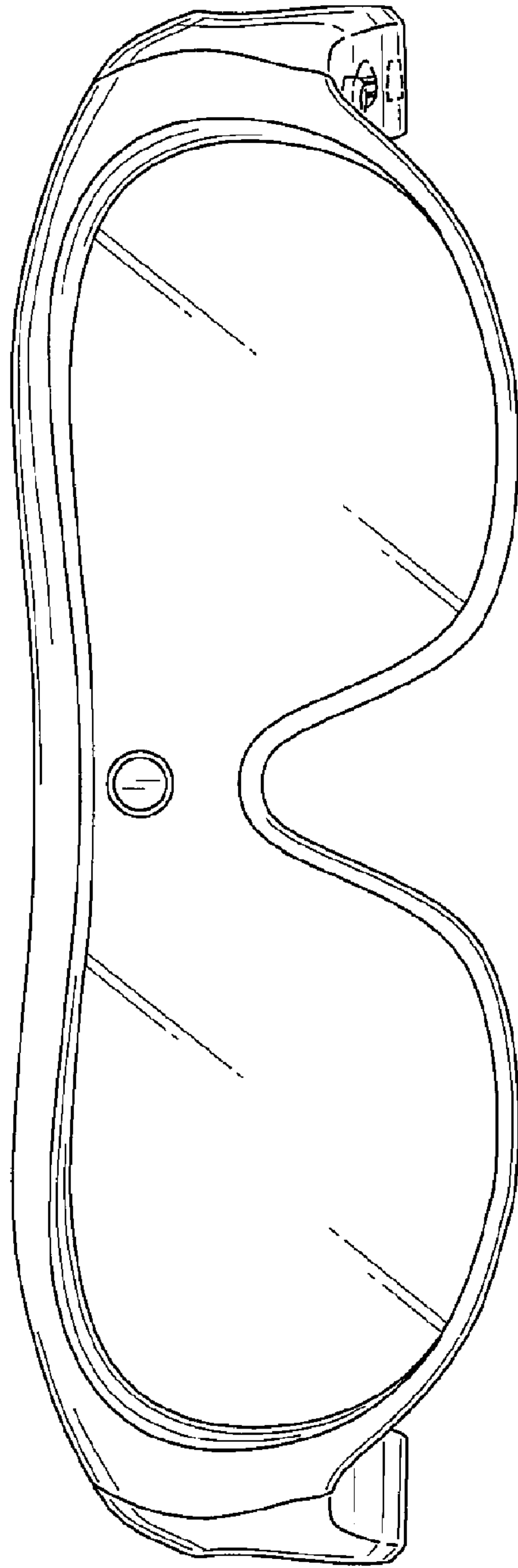


FIG. 2

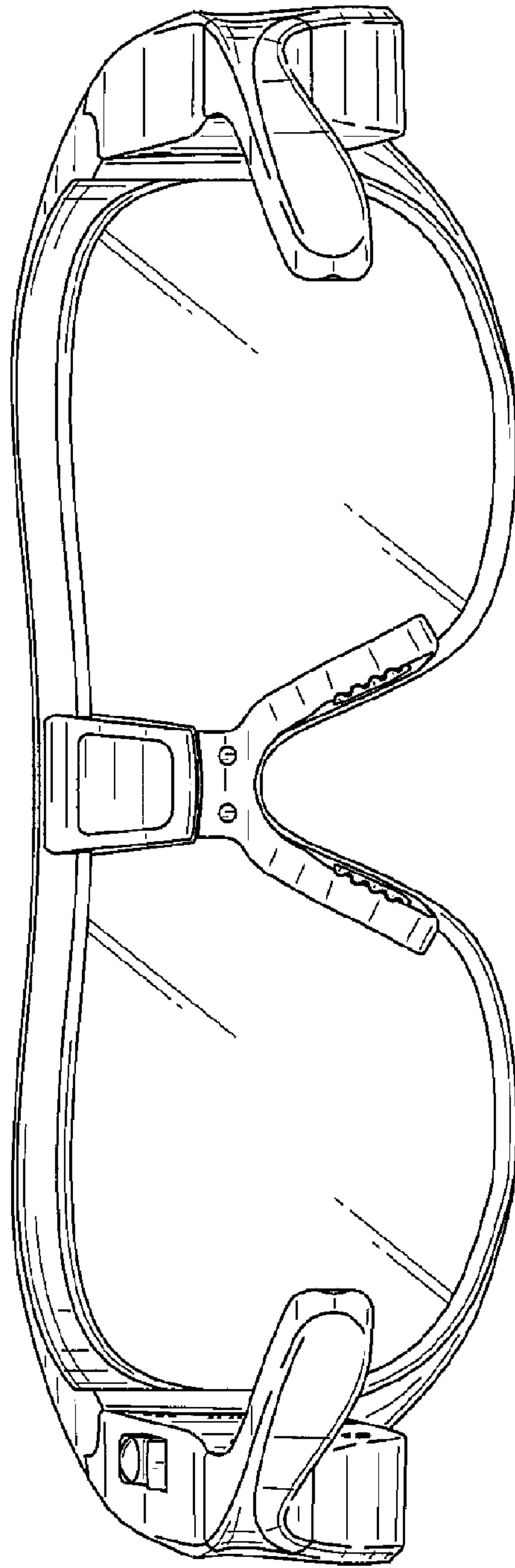


FIG. 3

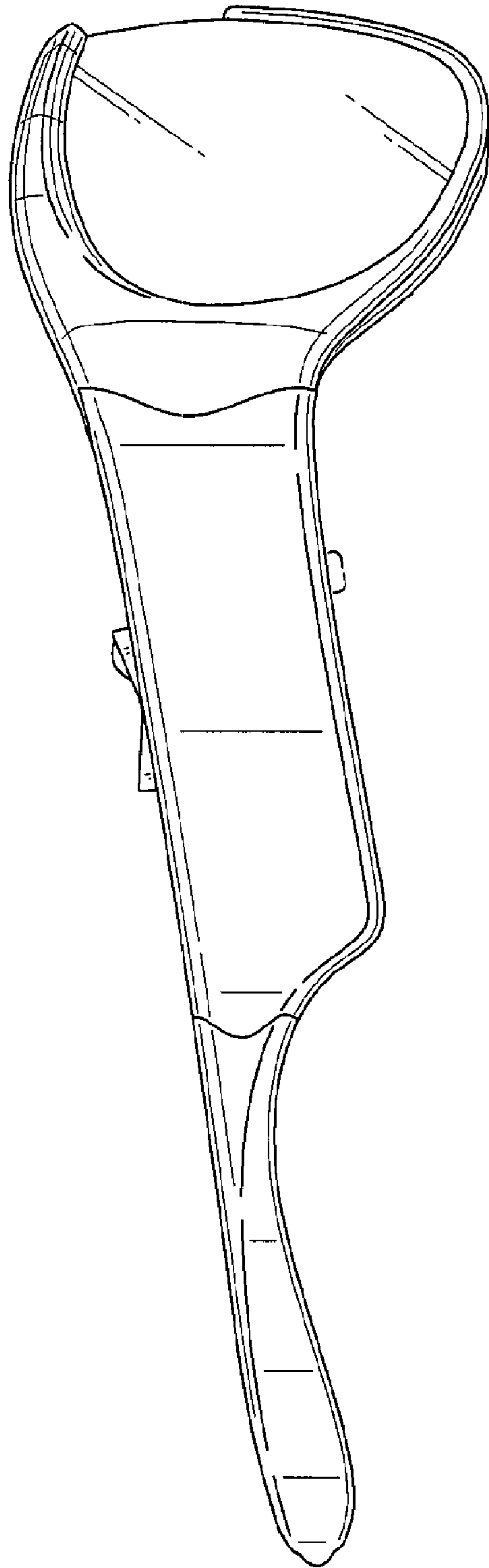


FIG. 4

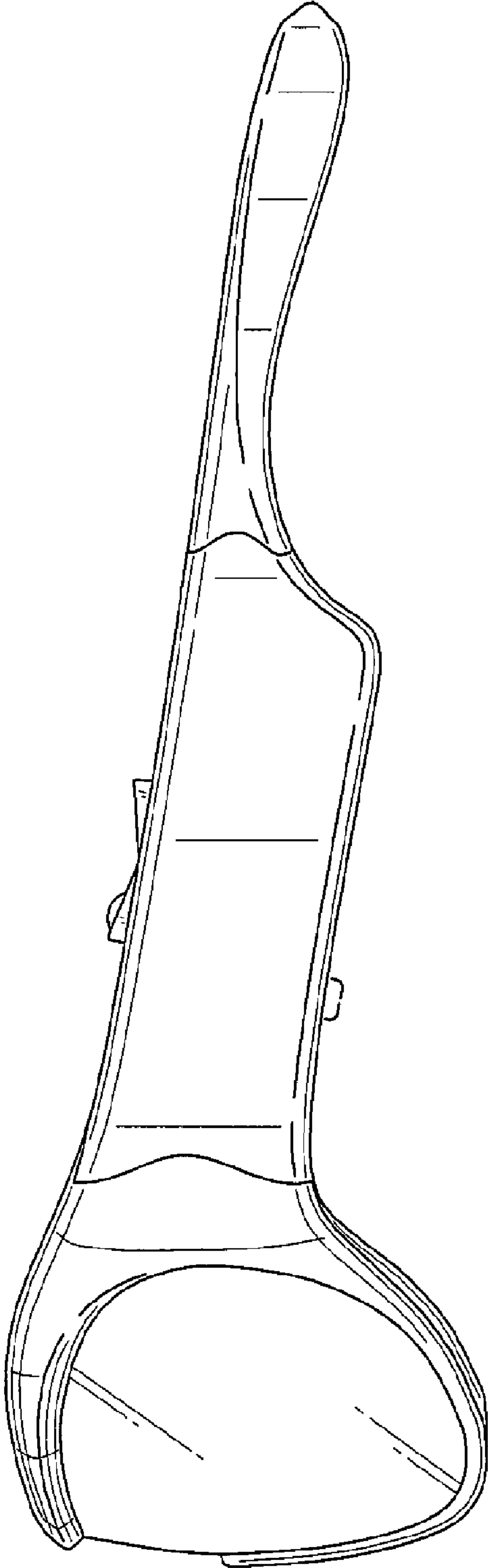


FIG. 5

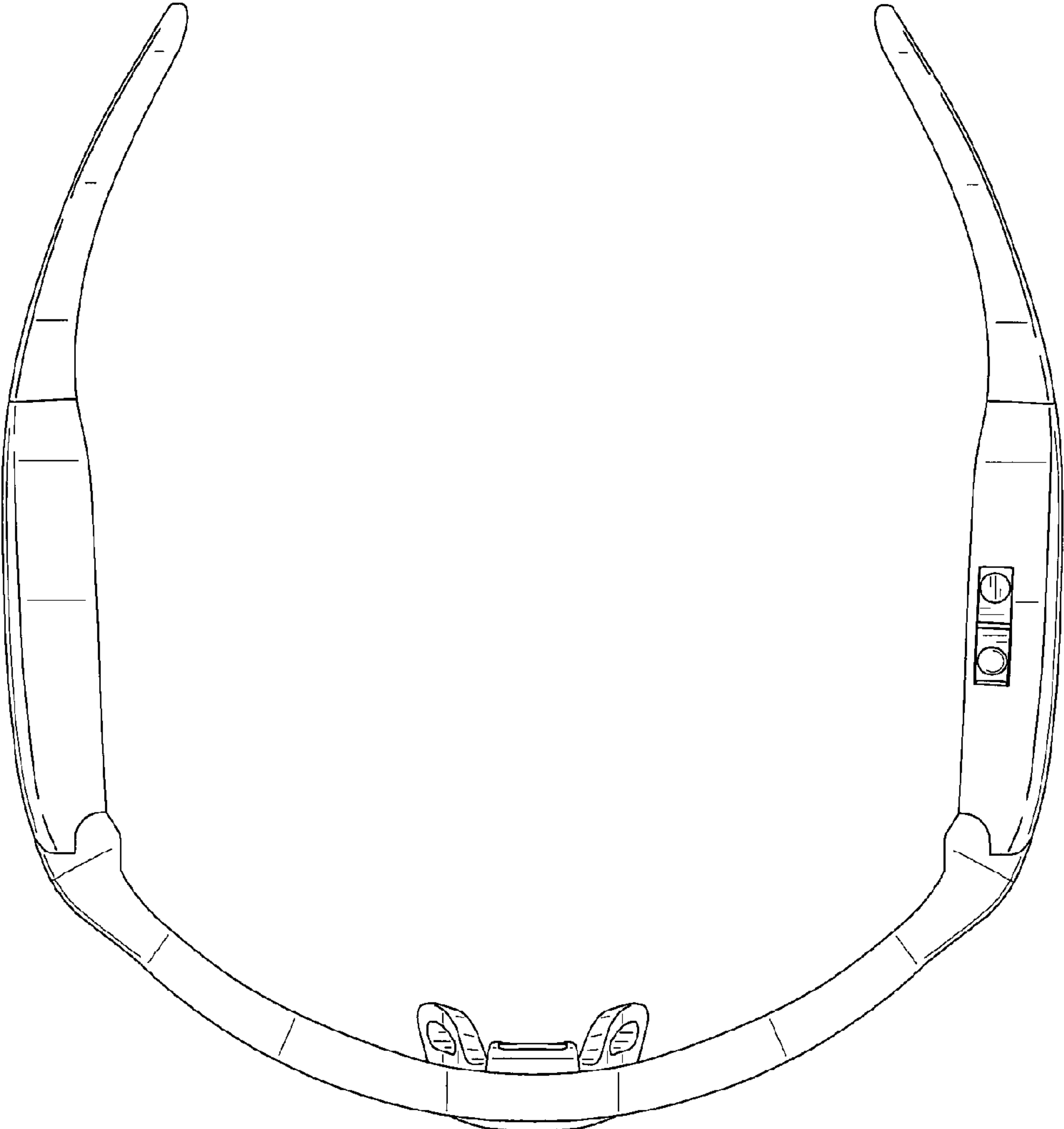


FIG. 6



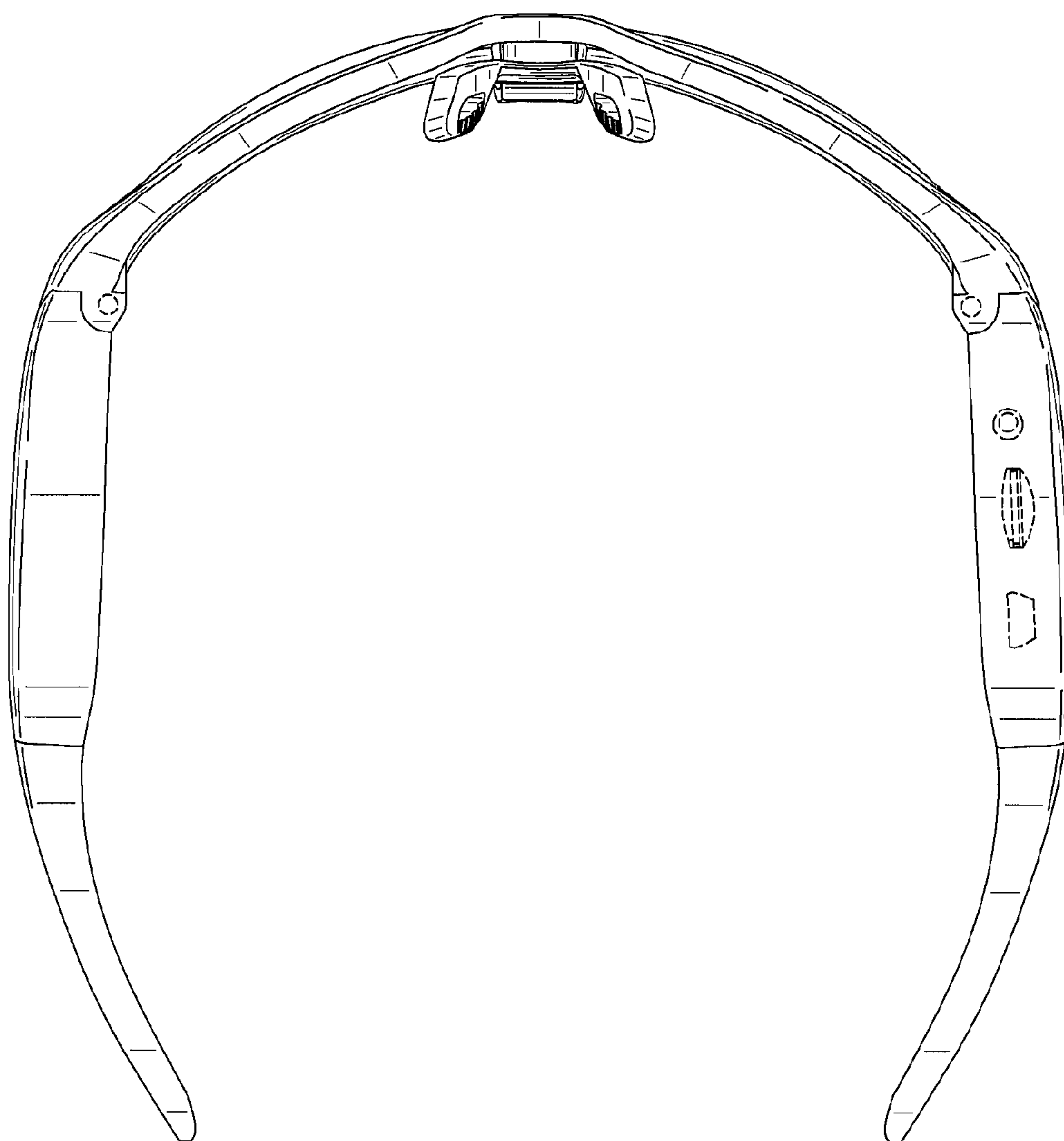


FIG. 7