



US00D645489S

(12) **United States Design Patent**
Gille et al.

(10) **Patent No.:** **US D645,489 S**

(45) **Date of Patent:** **** Sep. 20, 2011**

- (54) **GONIOSCOPIC SYSTEM INCLUDING AN OPTICAL ELEMENT ATTACHMENT**
- (75) Inventors: **Henrick K. Gille**, Oceanside, CA (US);
Ali Nikkhah, Mission Viejo, CA (US)
- (73) Assignee: **Glaukos Corporation**, Laguna Hills, CA (US)

- 4,469,413 A 9/1984 Shirayanagi
- 4,568,157 A 2/1986 Kurwa
- 4,598,984 A 7/1986 Rol
- 4,627,694 A 12/1986 Volk
- 4,664,490 A 5/1987 Rol
- 4,682,866 A 7/1987 Volk
- 4,721,378 A 1/1988 Volk
- 4,728,183 A 3/1988 Heacock et al.

(Continued)

- (**) Term: **14 Years**
- (21) Appl. No.: **29/352,588**
- (22) Filed: **Dec. 22, 2009**

Related U.S. Application Data

- (63) Continuation-in-part of application No. 12/639,928, filed on Dec. 16, 2009.
- (51) **LOC (9) Cl.** **16-06**
- (52) **U.S. Cl.** **D16/135**
- (58) **Field of Classification Search** D16/130,
D16/131, 134, 135, 136, 137; D24/107,
D24/133, 137, 232; 351/174, 200, 205, 214,
351/216, 219, 218, 230, 233, 160 R; 606/4,
606/5; 359/835, 718, 831, 721
See application file for complete search history.

(56) **References Cited**

U.S. PATENT DOCUMENTS

- D166,597 S * 4/1952 Filsinger D16/135
- 3,112,570 A * 12/1963 De Vasconcellos Decio
Fernande 434/303
- 3,589,800 A 6/1971 Cardona
- 3,753,611 A * 8/1973 Ebbesen 359/721
- 3,820,879 A 6/1974 Frisen
- 4,033,679 A 7/1977 Sussman
- 4,067,646 A 1/1978 Nohda
- 4,134,647 A 1/1979 Ramos-Caldera
- 4,134,667 A * 1/1979 Schnall et al. 492/47
- 4,307,944 A 12/1981 Schirmer
- 4,439,026 A 3/1984 Wilms

FOREIGN PATENT DOCUMENTS

WO WO 2009/158517 12/2009

OTHER PUBLICATIONS

Volk, "Aspheric Ophthalmic Lenses", Refraction, International Ophthalmology Clinics, vol. 5, No. 2, Jun. 1965.

(Continued)

Primary Examiner — Paula Greene

(74) *Attorney, Agent, or Firm* — Knobbe, Martens, Olson & Bear, LLP

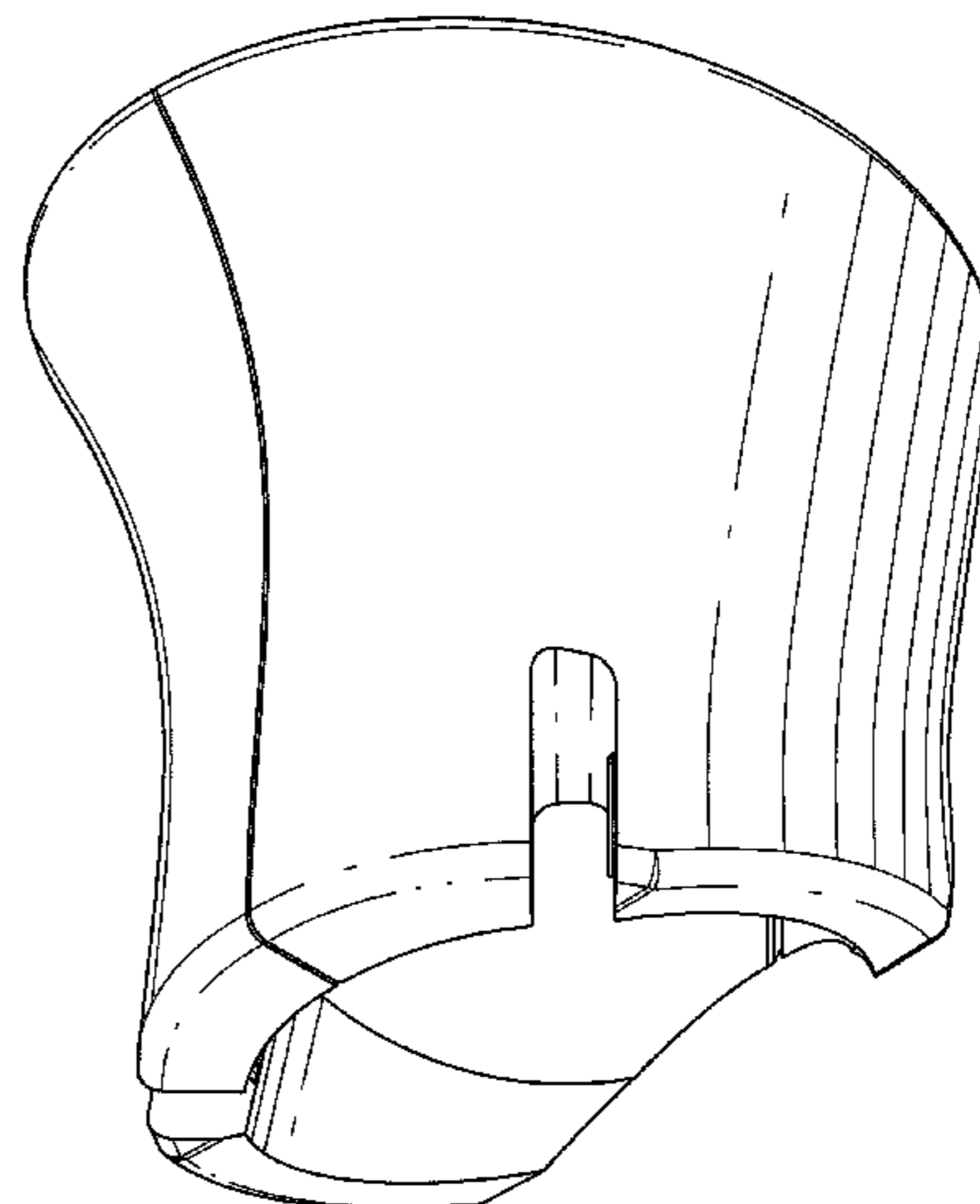
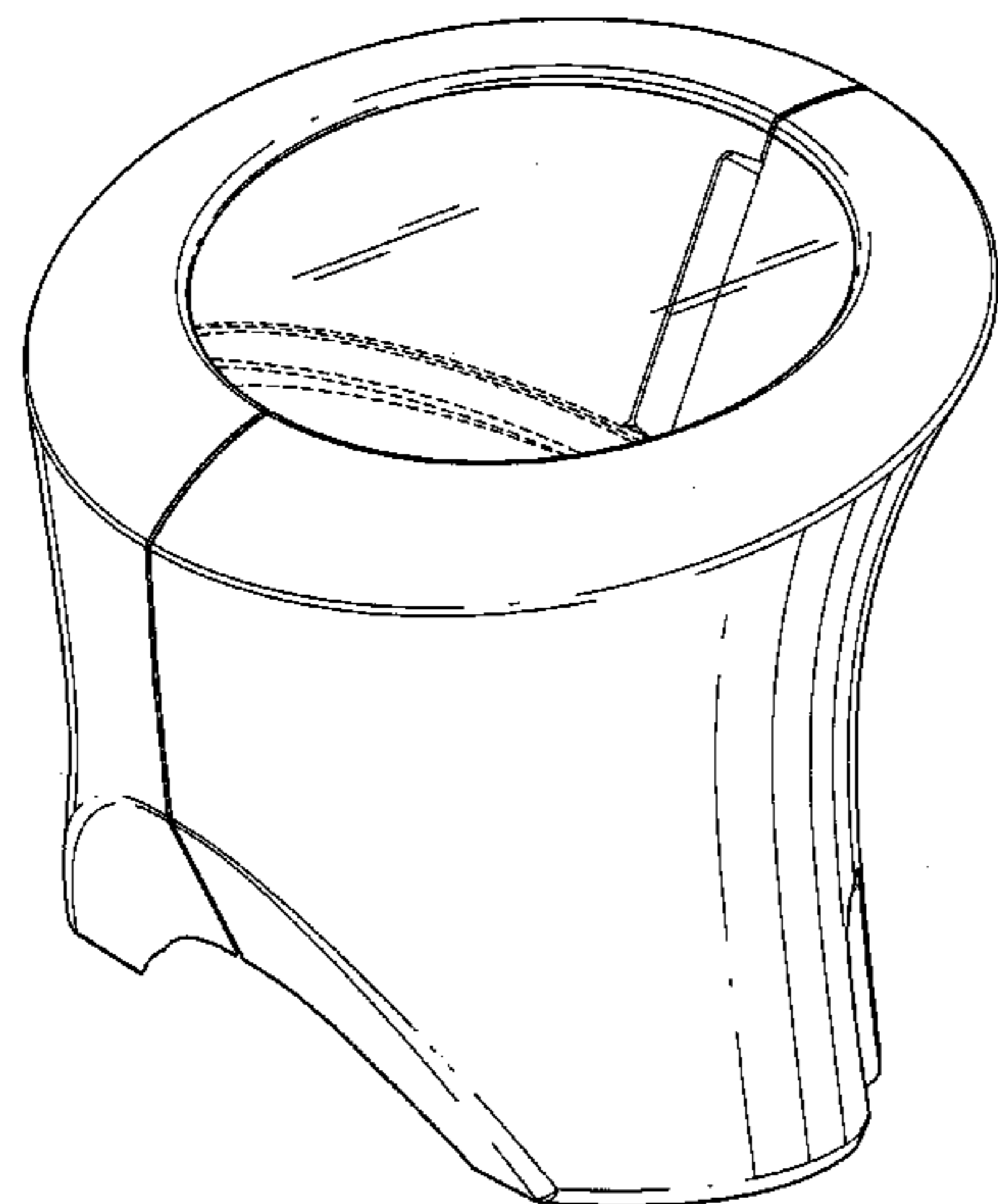
(57) **CLAIM**

The ornamental design for an gonioscopic system including an optical element attachment, as shown and described.

DESCRIPTION

FIG. 1 is a front right perspective view of an gonioscopic system including an optical element attachment; FIG. 2 is a back left perspective view thereof; FIG. 3 is a front elevation view thereof; FIG. 4 is a back elevation view thereof; FIG. 5 is a left-side elevation view thereof; FIG. 6 is a right-side elevation view thereof; FIG. 7 is a top plan view thereof; and, FIG. 8 is a bottom plan view thereof. The broken lines shown in the drawings are for illustrative purposes only and form no part of the claimed design.

1 Claim, 8 Drawing Sheets



US D645,489 S

Page 2

U.S. PATENT DOCUMENTS

4,738,521 A 4/1988 Volk
4,799,784 A * 1/1989 Safir 351/212
4,907,872 A 3/1990 Schirmer et al.
5,007,729 A 4/1991 Erickson et al.
5,024,518 A 6/1991 Richards et al.
5,046,836 A 9/1991 Volk
5,200,773 A 4/1993 Volk
5,216,456 A 6/1993 Volk
5,260,578 A 11/1993 Bliton et al.
5,309,187 A 5/1994 Crossman et al.
5,359,372 A 10/1994 Kida et al.
5,412,441 A * 5/1995 Tibbling et al. 351/200
5,424,789 A 6/1995 Volk
5,479,222 A 12/1995 Volk
5,501,217 A 3/1996 Ishiguro et al.
5,535,060 A 7/1996 Grinblat
5,537,164 A * 7/1996 Smith 351/219
D394,704 S * 5/1998 Koepnick D24/137
5,784,147 A 7/1998 Volk
5,805,269 A 9/1998 Volk
5,822,036 A 10/1998 Massie et al.
6,164,779 A 12/2000 Volk
6,183,085 B1 2/2001 Roggy et al.
6,698,886 B2 * 3/2004 Pollack et al. 351/219
6,767,098 B2 7/2004 Erickson et al.

6,942,343 B2 9/2005 Farberov
6,976,758 B2 12/2005 Khaw et al.
D523,881 S * 6/2006 Edwards et al. D16/130
7,125,119 B2 10/2006 Farberov
D534,194 S * 12/2006 Hines et al. D16/134
7,144,111 B1 12/2006 Ross, III et al.
D549,326 S * 8/2007 Aparici et al. D24/133
7,357,504 B2 4/2008 Fischer et al.
D574,867 S * 8/2008 Lewis D16/135
7,419,262 B2 9/2008 Whalen
7,766,480 B1 * 8/2010 Graham et al. 351/219
2009/0137989 A1 5/2009 Kataoka

OTHER PUBLICATIONS

Ocular Swan Autoclavable Gonioprism from at least as early as Jun. 29, 2007 in 3 pages, downloaded from <http://ocularinc.com>.
Ocular Hill Surgical Gonioprism from at least as early as Jun. 29, 2007 in 3 pages, downloaded from <http://www.ocularinc.com>.
Ocular Khaw Surgical Gonioprism from at least as early as Jun. 29, 2007 in 3 pages, downloaded from <http://www.ocularinc.com>.
International Search Report and Written Opinion for PCT Application No. PCT/US2009/068322, dated Mar. 11, 2010.
Haag-Streit Contact Glasses Brochure, retrieved Mar. 20, 2007.

* cited by examiner

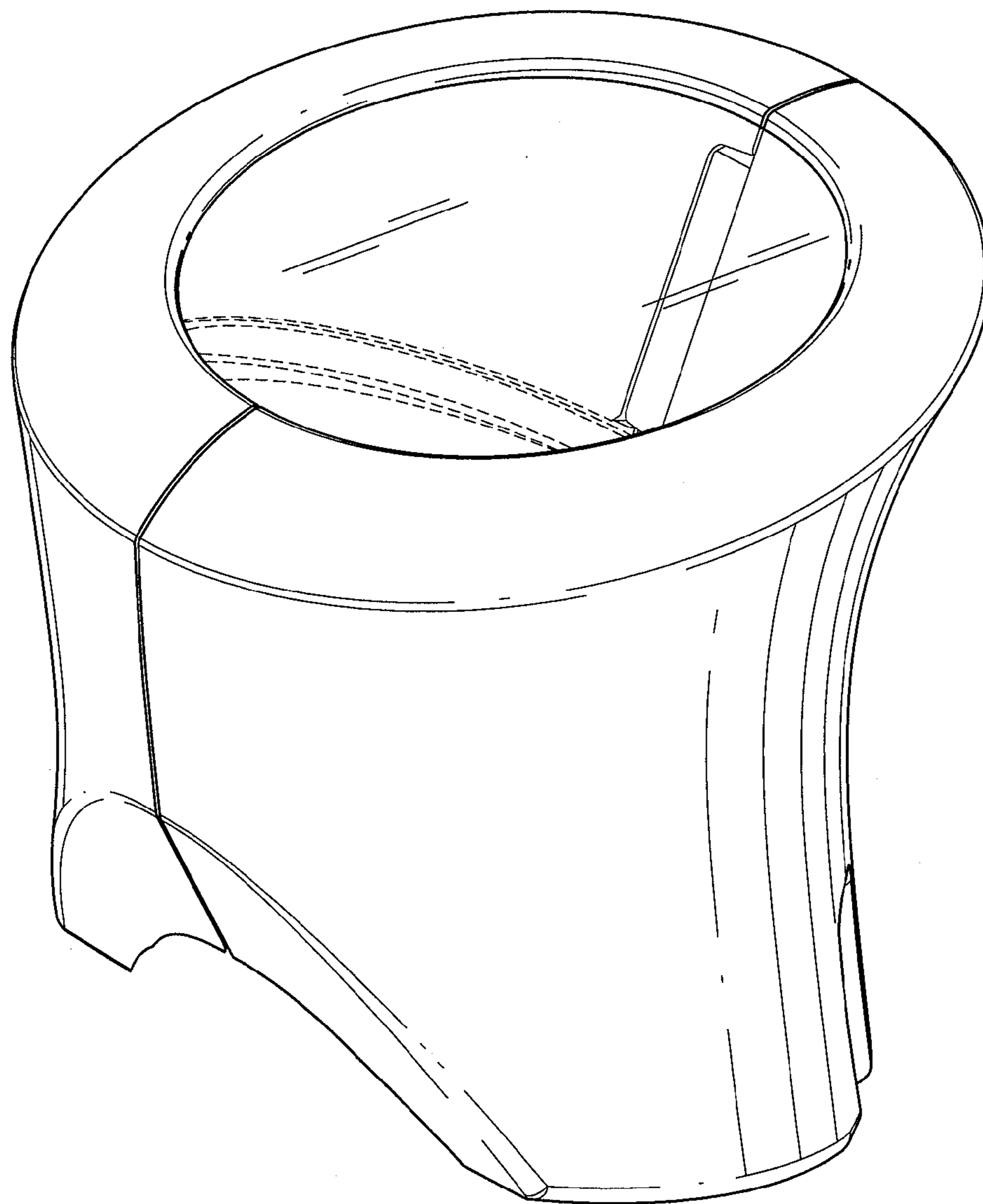


FIG. 1

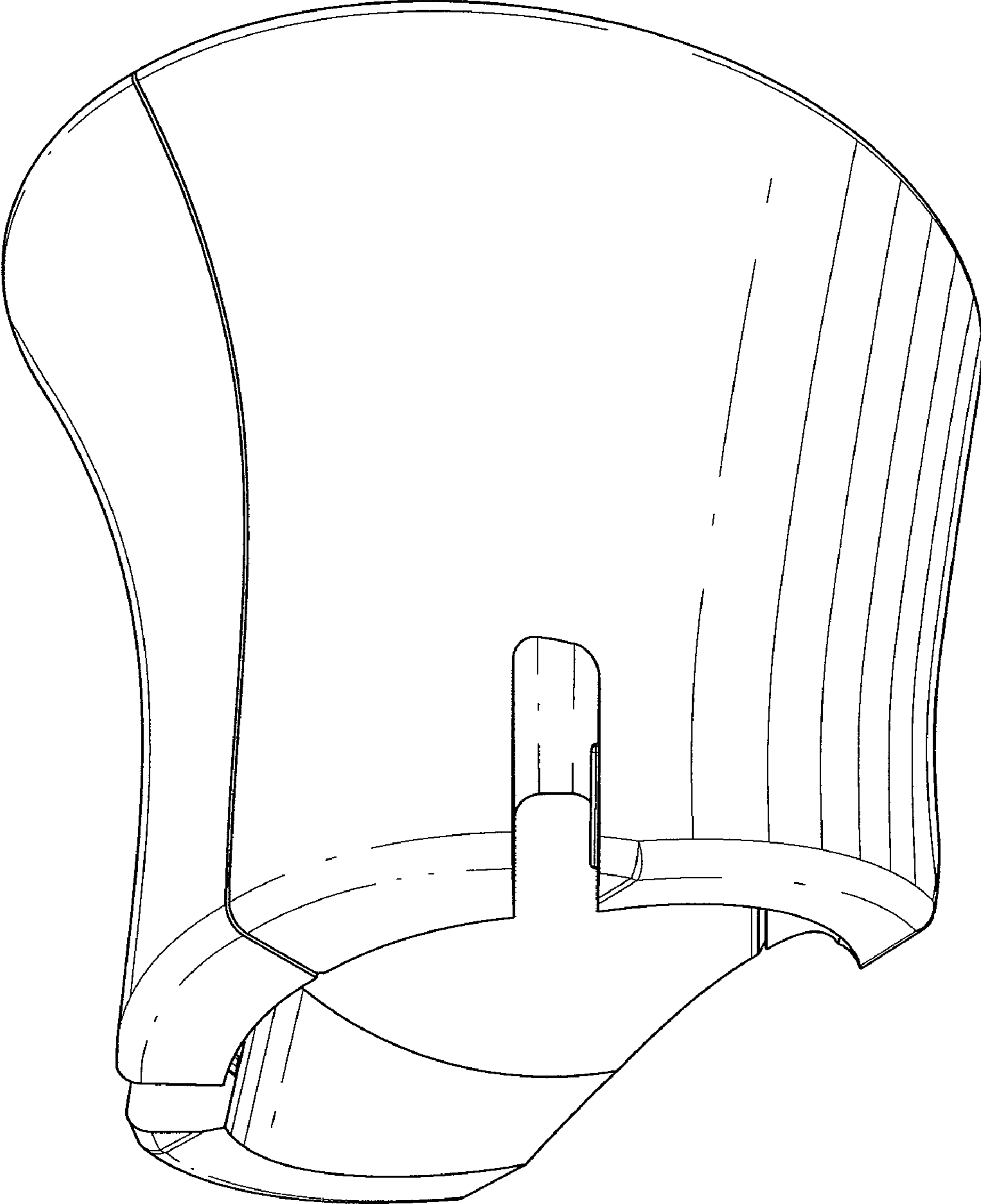


FIG. 2

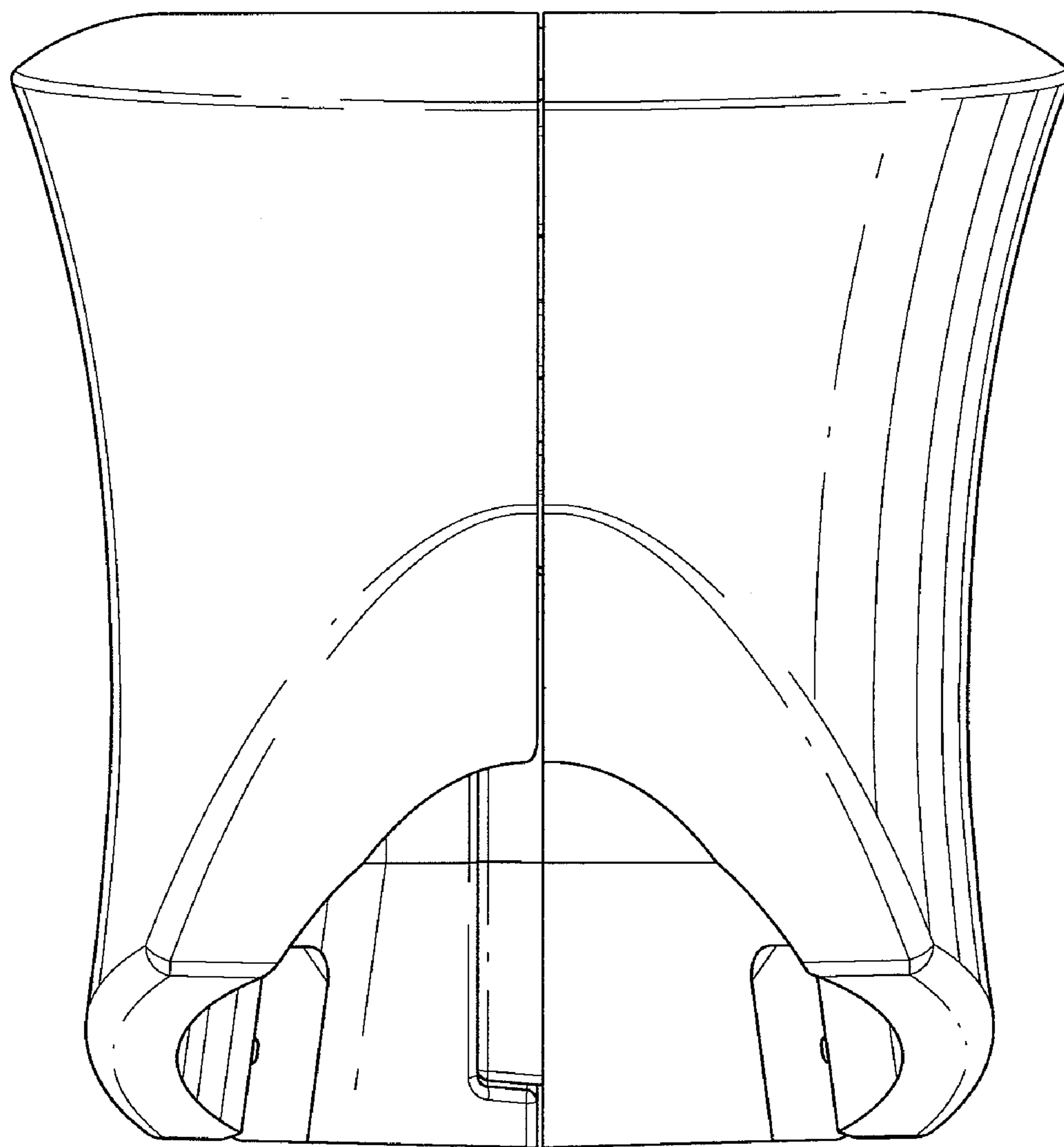


FIG. 3

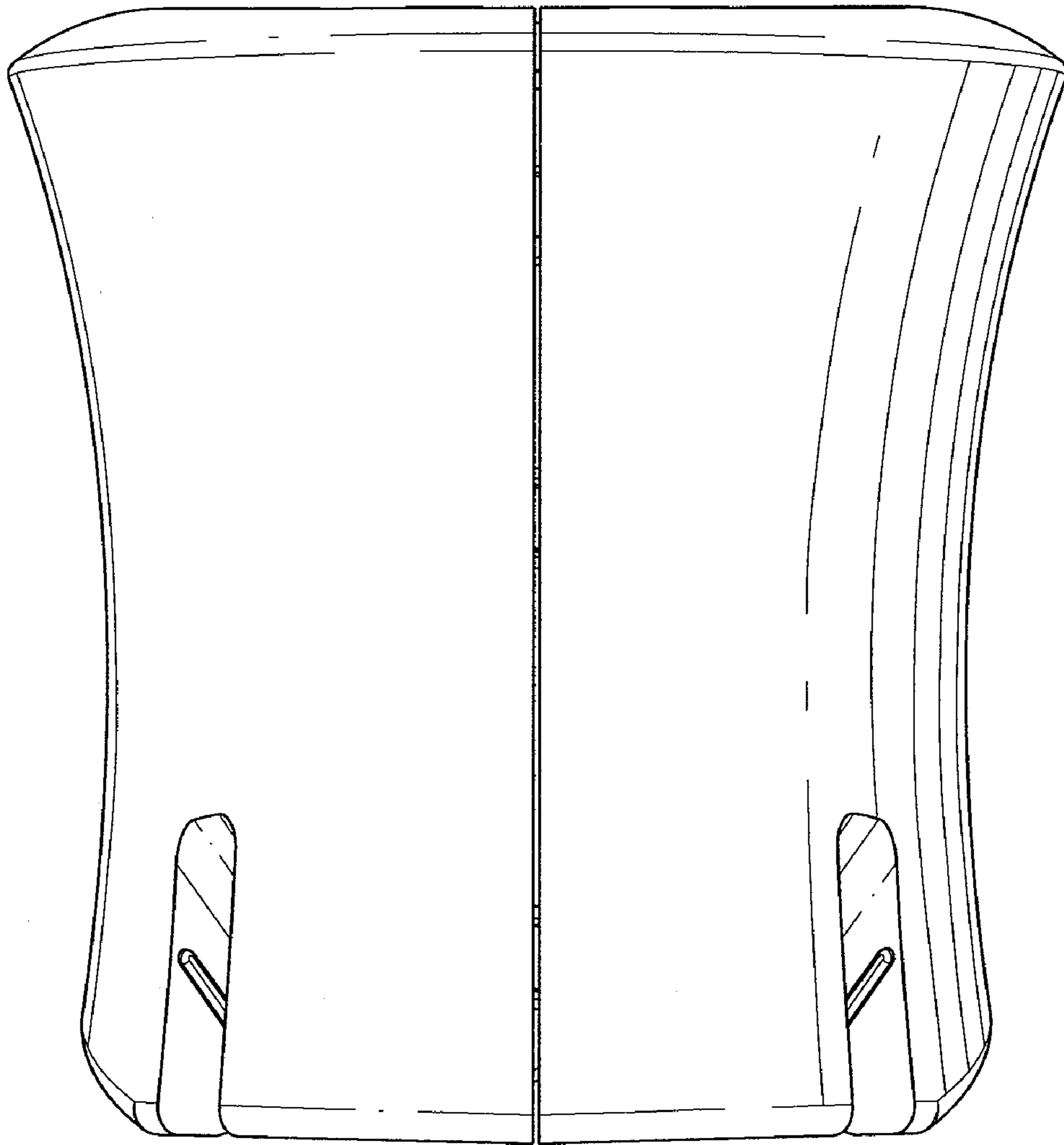


FIG. 4

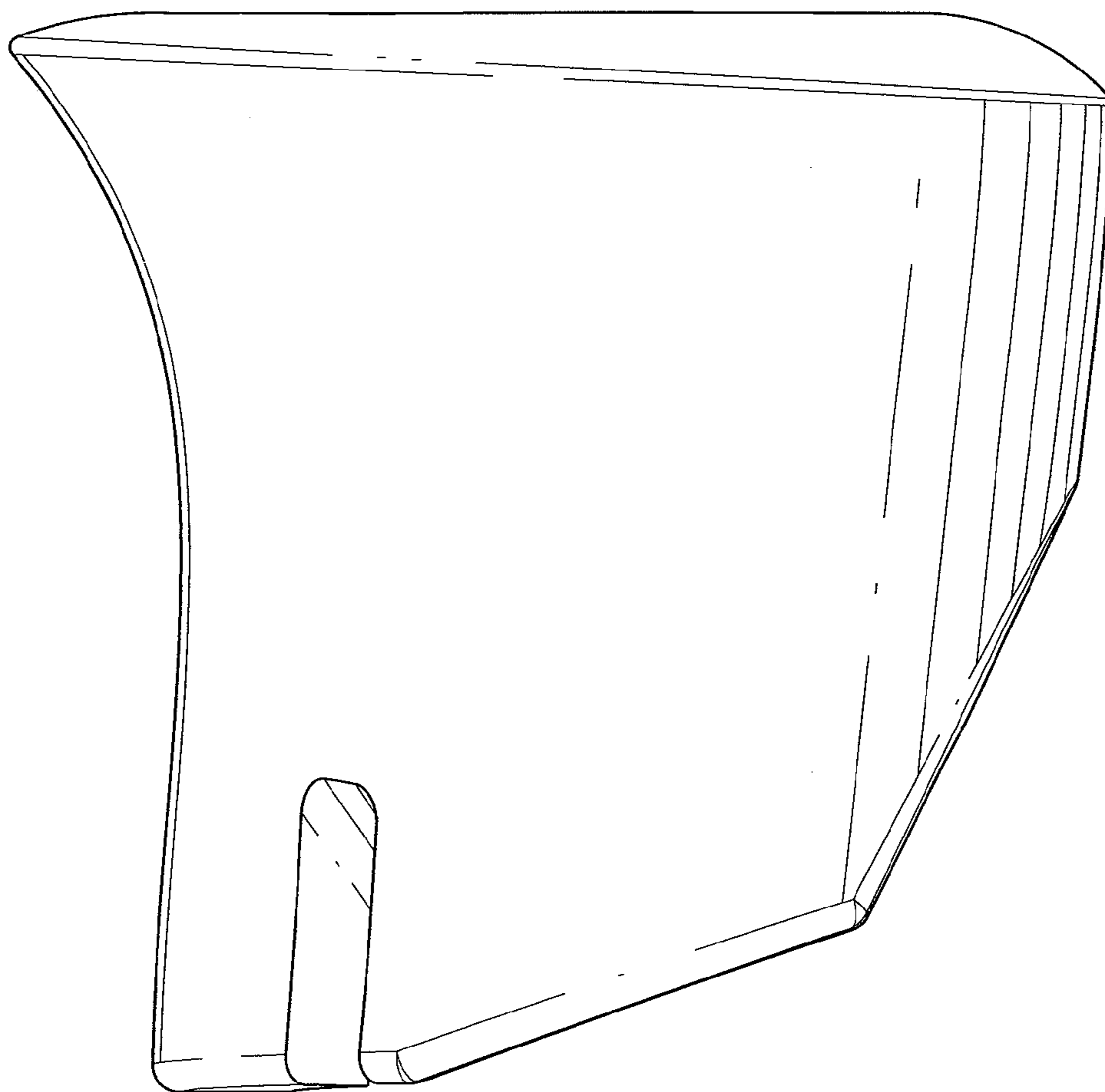


FIG. 5

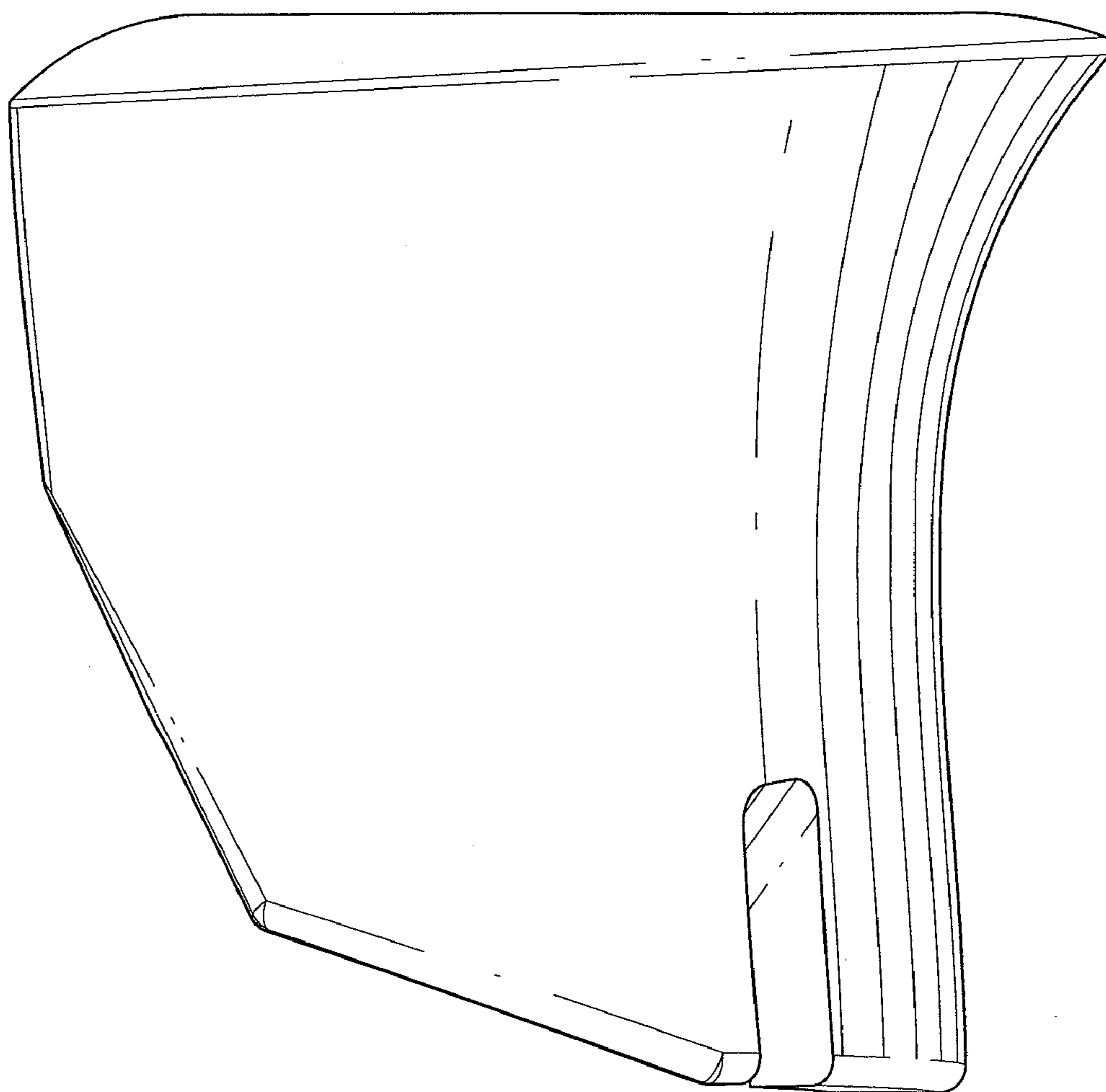


FIG. 6

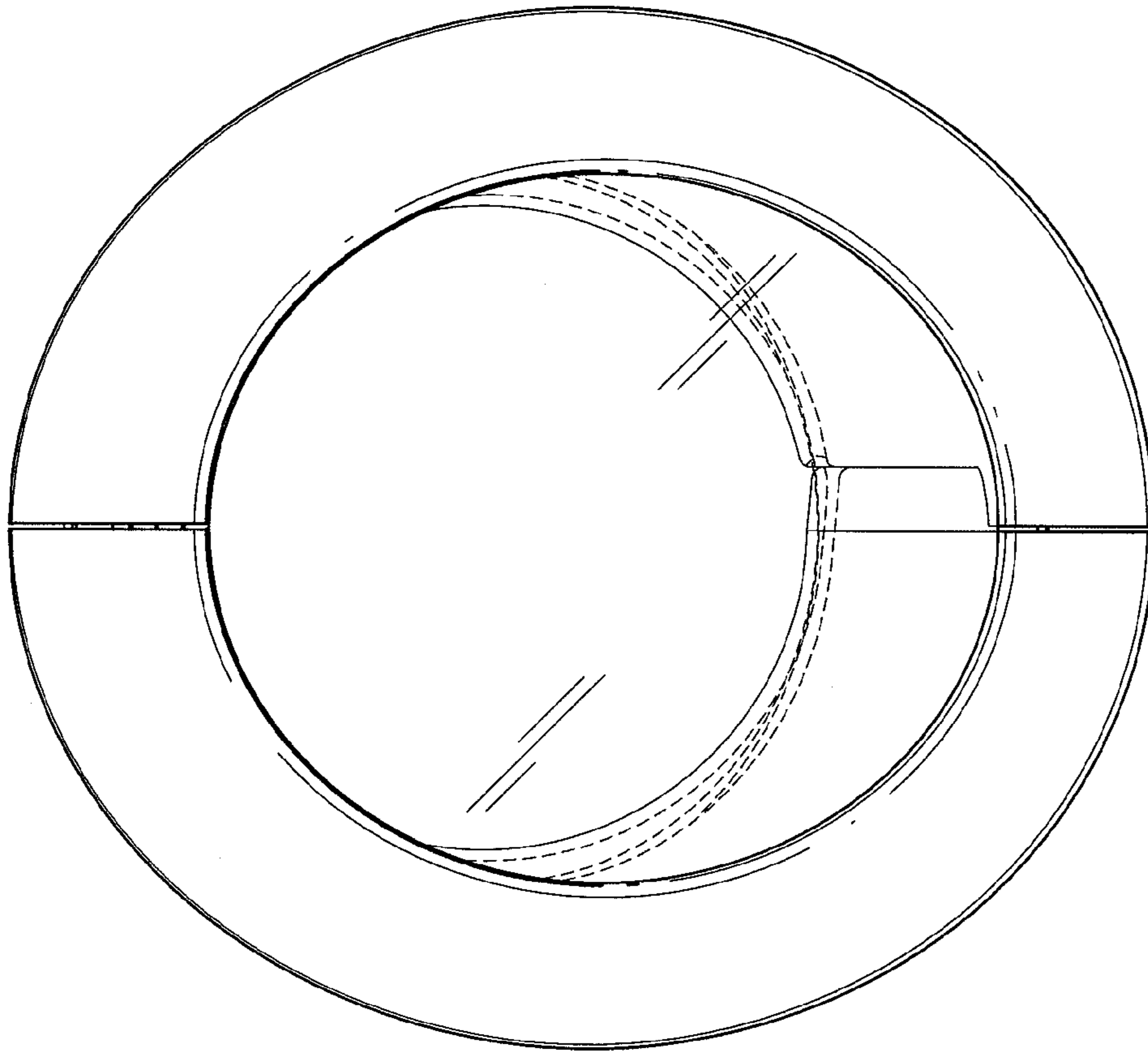


FIG. 7

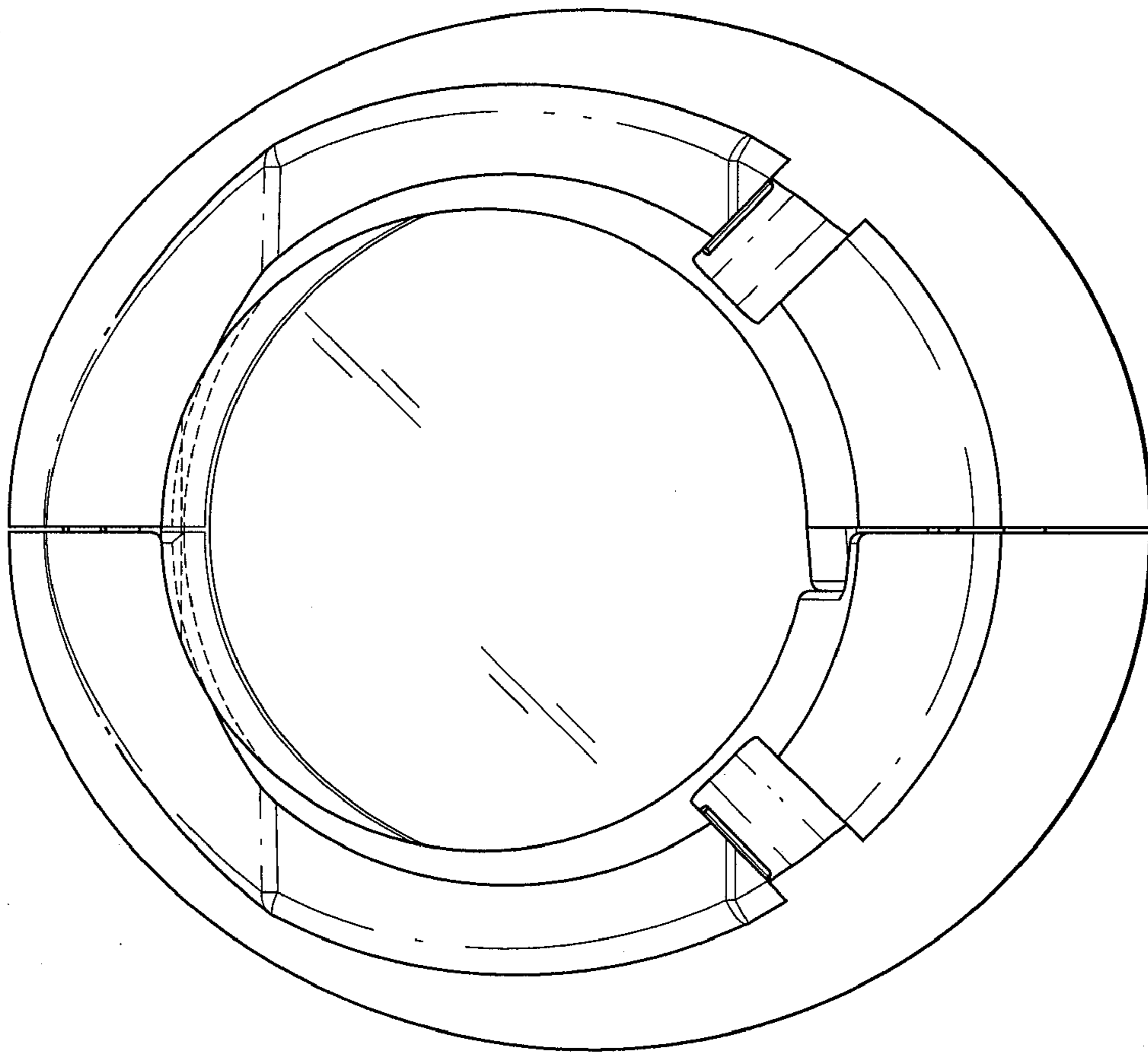


FIG. 8