



US00D645488S

(12) **United States Design Patent**
Miyake et al.

(10) **Patent No.:** **US D645,488 S**

(45) **Date of Patent:** **** Sep. 20, 2011**

(54) **INDUSTRIAL ROBOT**

(75) Inventors: **Takanori Miyake**, Chiyoda-ku (JP);
Mitsuhiro Fukatsu, Chiyoda-ku (JP)

(73) Assignee: **Mitsubishi Electric Corporation**,
Tokyo (JP)

(**) Term: **14 Years**

(21) Appl. No.: **29/386,437**

(22) Filed: **Mar. 1, 2011**

(30) **Foreign Application Priority Data**

Sep. 14, 2010 (JP) 2010-022106

(51) **LOC (9) Cl.** **15-99**

(52) **U.S. Cl.** **D15/199**

(58) **Field of Classification Search** D15/199;
D24/176; 74/490.01, 490.02, 490.03, 490.05;
219/124.34, 639; 318/560; 700/99, 150
See application file for complete search history.

(56) **References Cited**

U.S. PATENT DOCUMENTS

- D268,033 S * 2/1983 Stackhouse D15/199
- 4,418,266 A * 11/1983 Rosenbeck et al. 219/137 R
- D292,002 S * 9/1987 Shibayama et al. D15/199
- D293,324 S * 12/1987 Gotou et al. D15/199
- D343,630 S * 1/1994 Tomiyama et al. D15/199

- D366,054 S * 1/1996 Eguchi D15/199
- D410,660 S * 6/1999 Kawaguchi D15/199
- D433,042 S * 10/2000 Kawahara et al. D15/199
- D455,163 S * 4/2002 Kawaguchi D15/199
- D457,900 S * 5/2002 Hanne et al. D15/140
- 6,429,405 B2 * 8/2002 Belloni et al. 219/124.34
- D624,104 S * 9/2010 Miyake et al. D15/199
- 2010/0290886 A1 * 11/2010 Hashimoto et al. 414/800

* cited by examiner

Primary Examiner — Patricia Palasik

(74) *Attorney, Agent, or Firm* — Sughrue Mion, PLLC

(57) **CLAIM**

The ornamental design for an industrial robot, as shown and described.

DESCRIPTION

FIG. 1 is a front, top and right side perspective view of an industrial robot, showing our new design;
 FIG. 2 is a front elevational view thereof;
 FIG. 3 is a rear elevational view thereof;
 FIG. 4 is a left side elevational view thereof;
 FIG. 5 is a right side elevational view thereof;
 FIG. 6 is a top plan view thereof;
 FIG. 7 is a bottom plan view thereof;
 FIG. 8 is a cross-sectional view thereof; taken along line 8-8 of FIG. 6, with the internal system omitted for clarity of disclosure; and,
 FIG. 9 is a front elevational view shown in an alternate condition of use.

1 Claim, 7 Drawing Sheets

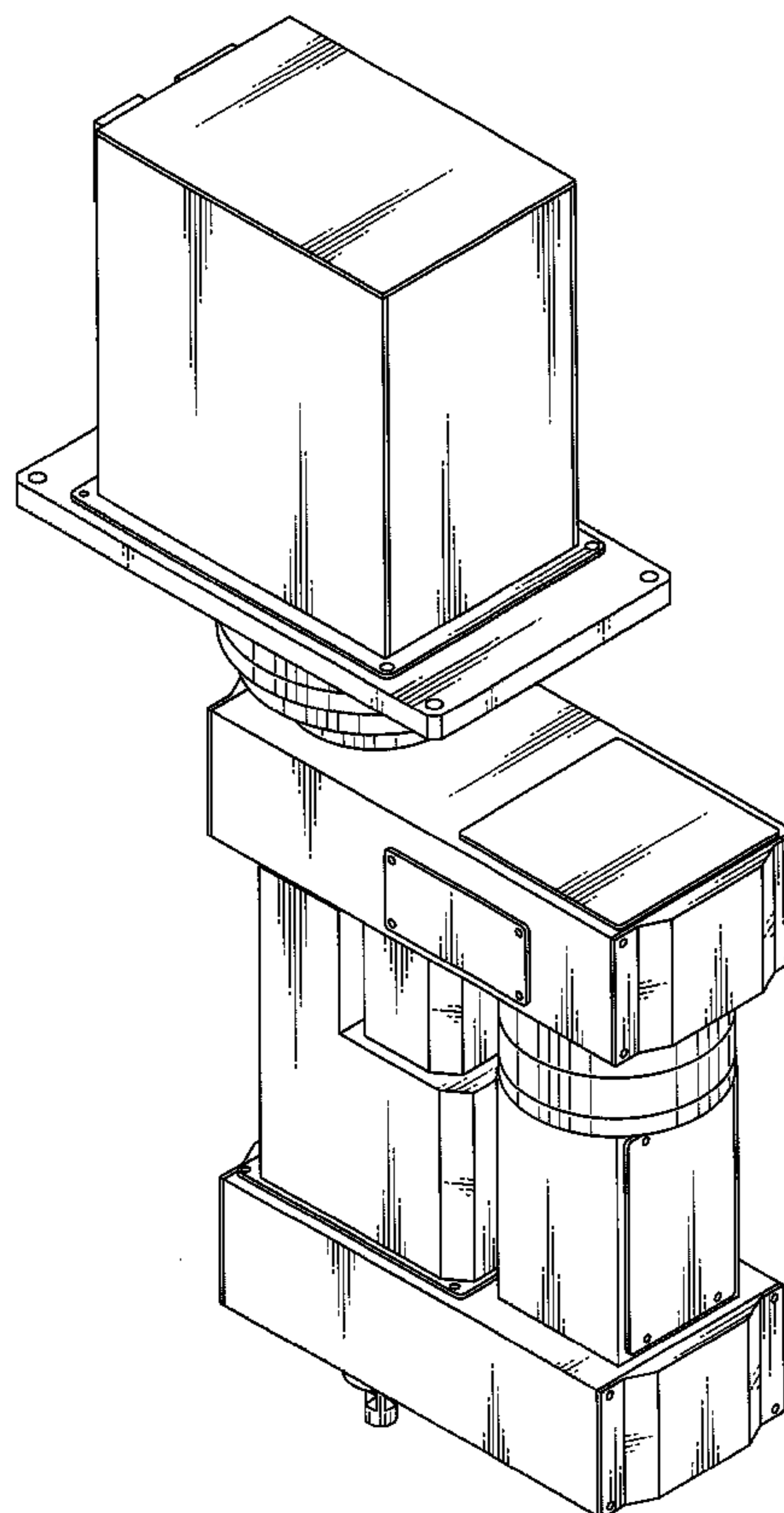


FIG. 1

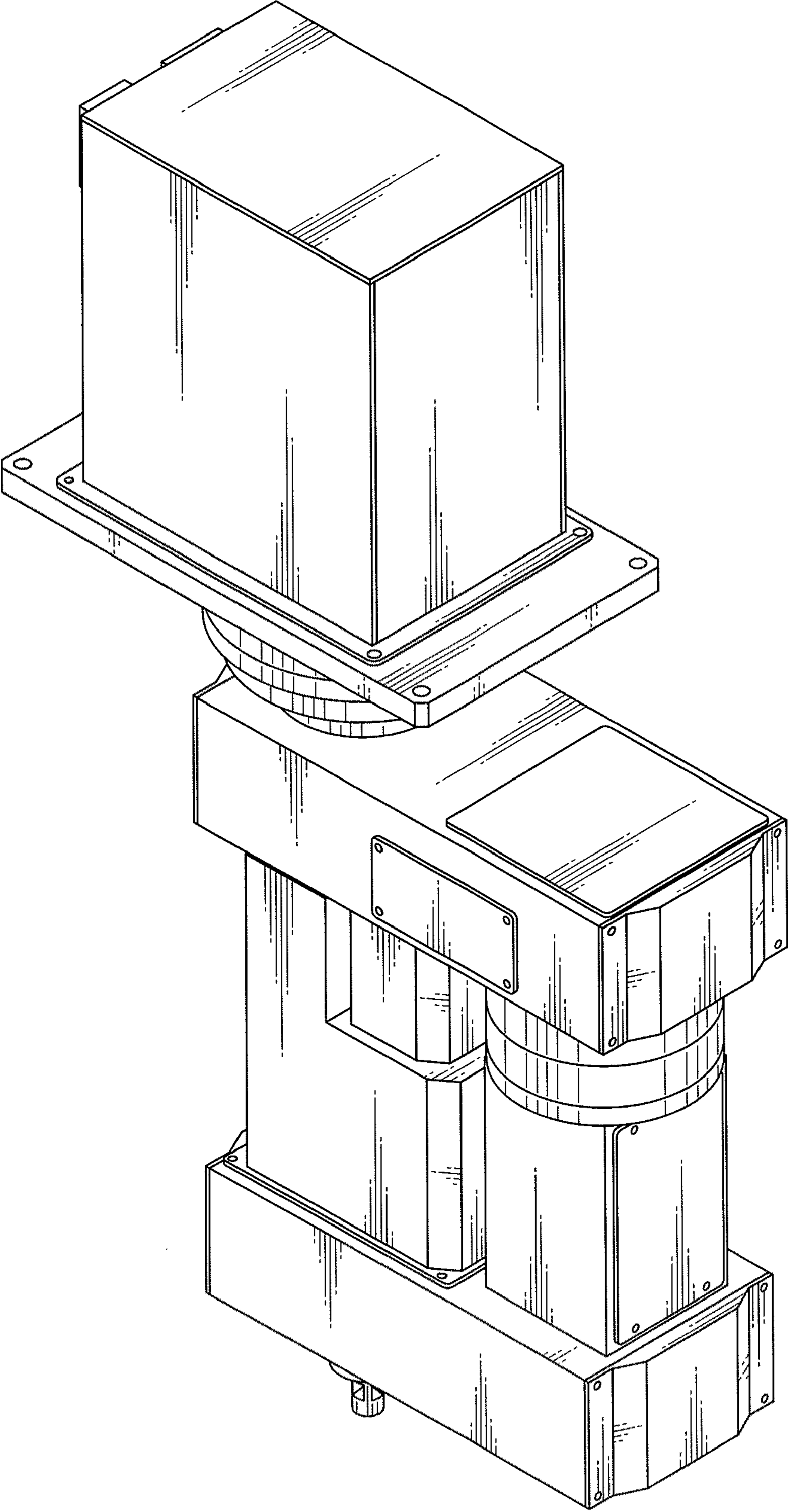


FIG. 2

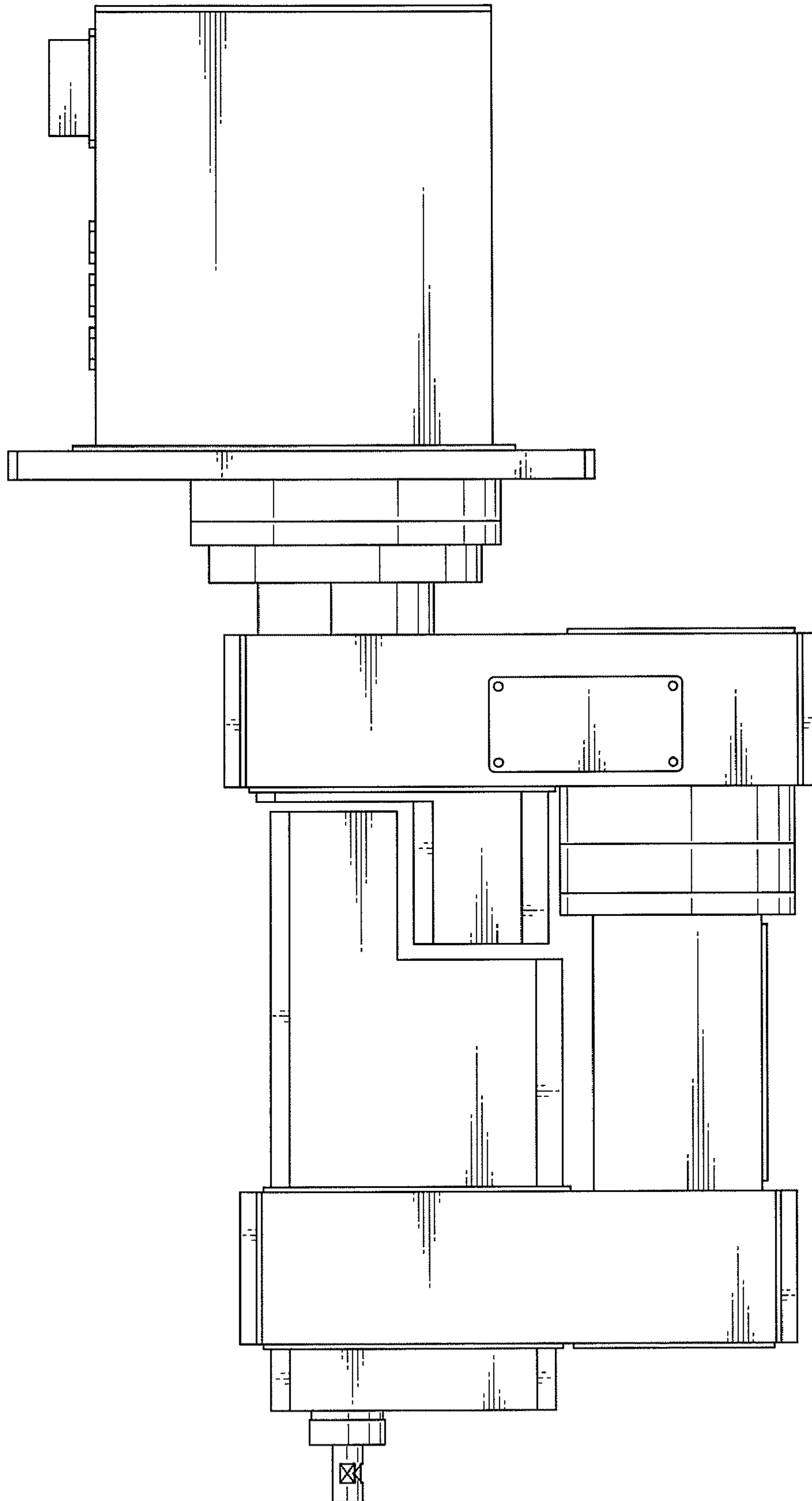


FIG. 3

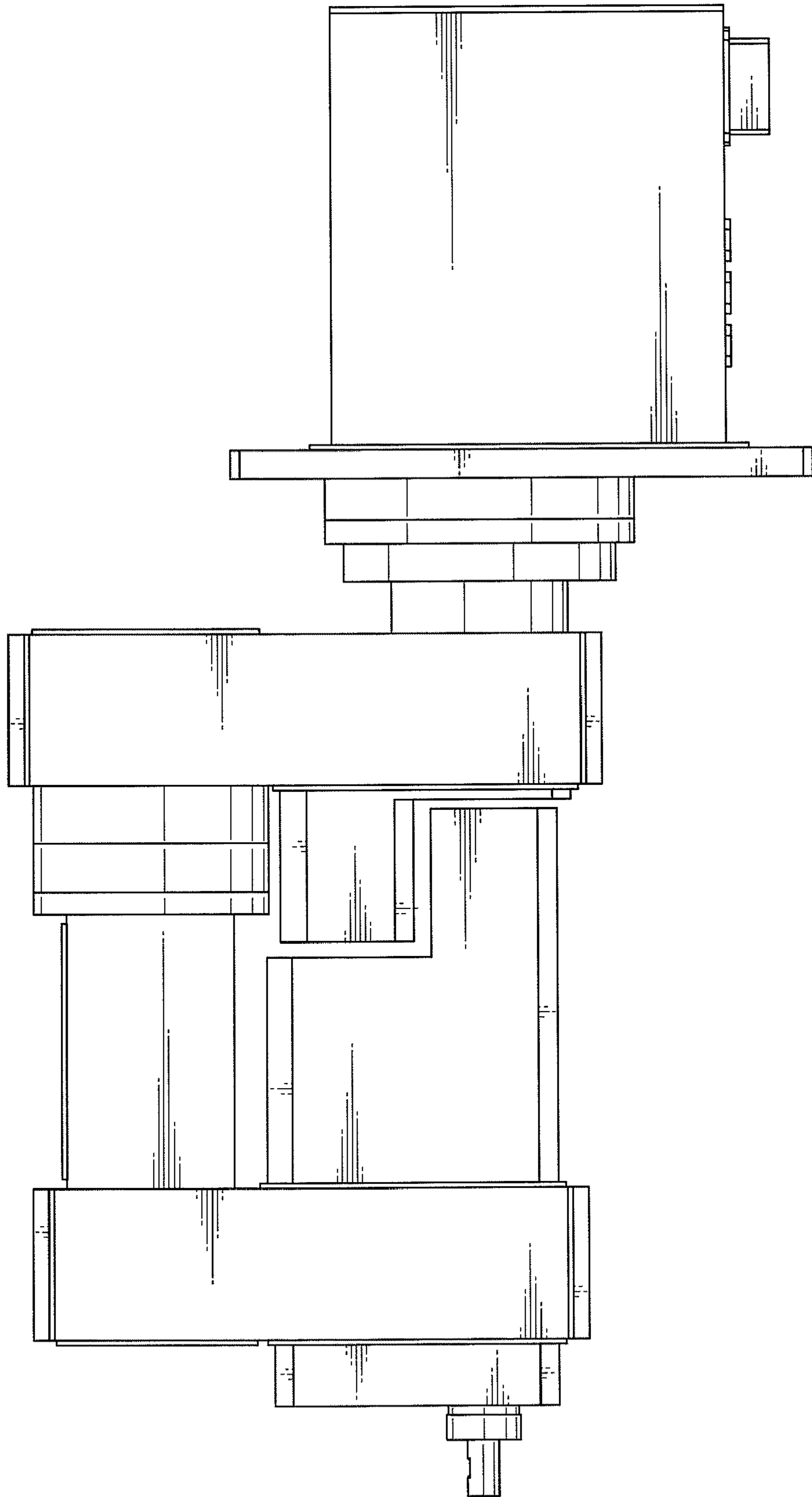


FIG. 4

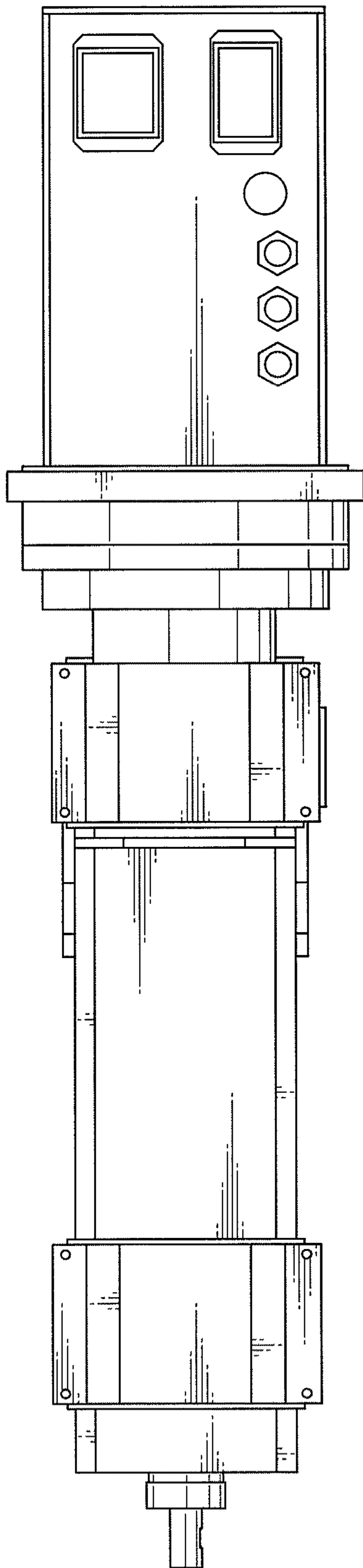


FIG. 5

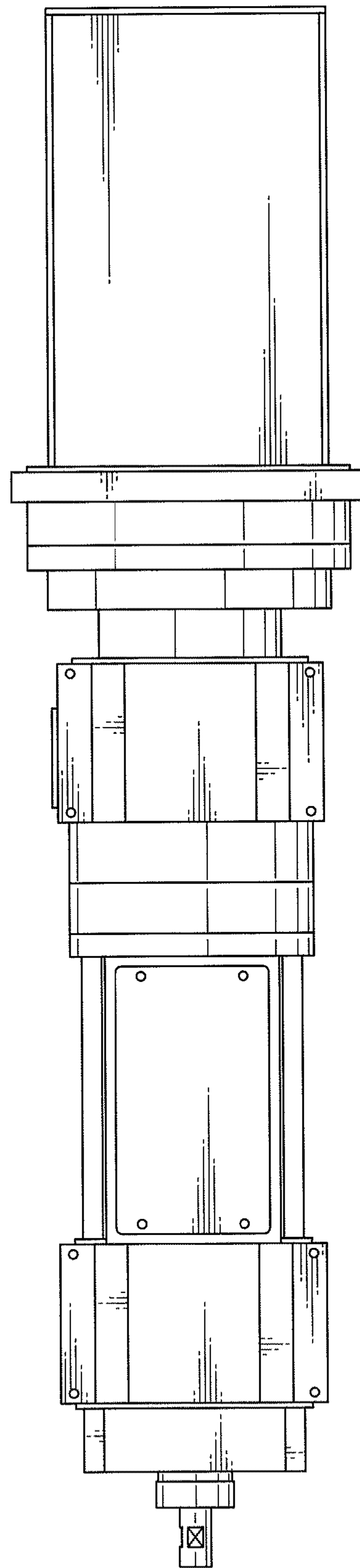


FIG. 6

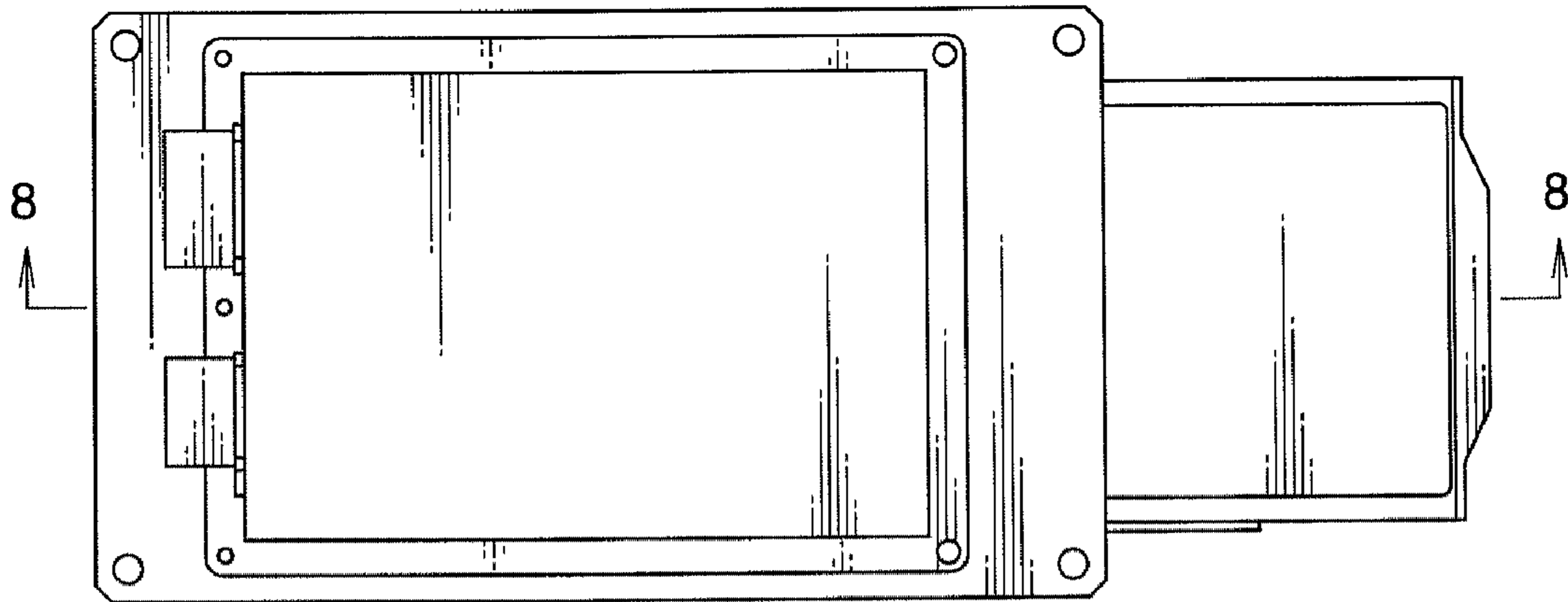


FIG. 7

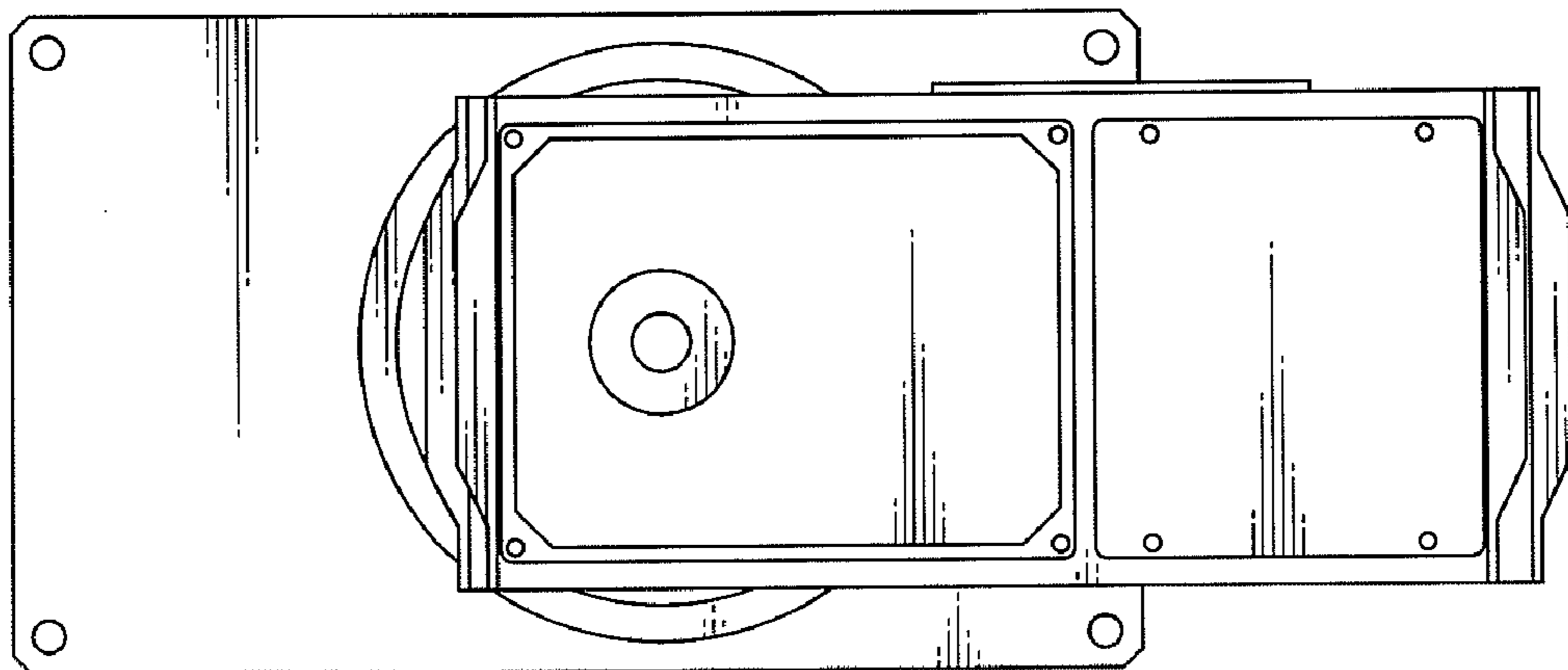


FIG. 8

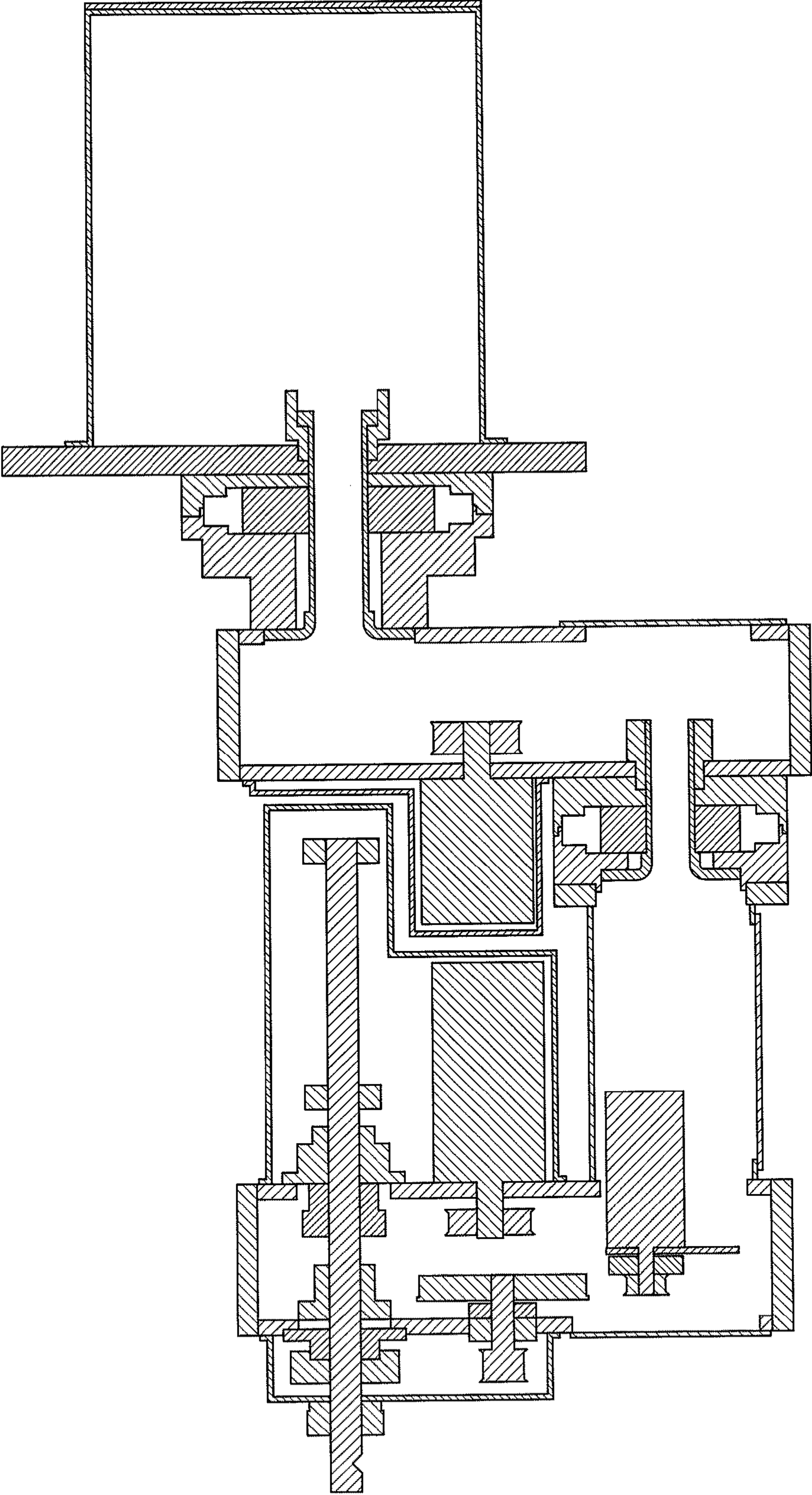


FIG. 9

