



US00D645486S

(12) **United States Design Patent**  
**Yoshikawa et al.**

(10) **Patent No.:** **US D645,486 S**  
(45) **Date of Patent:** **\*\* Sep. 20, 2011**

(54) **DIELECTRIC WINDOW FOR PLASMA  
PROCESSING DEVICE**

(75) Inventors: **Wataru Yoshikawa**, Amagasaki (JP);  
**Naoki Matsumoto**, Amagasaki (JP); **Jun  
Yoshikawa**, Amagasaki (JP)

(73) Assignee: **Tokyo Electron Limited** (JP)

(\*\*) Term: **14 Years**

(21) Appl. No.: **29/369,644**

(22) Filed: **Sep. 10, 2010**

(30) **Foreign Application Priority Data**

Mar. 31, 2010 (JP) ..... 2010-008109

(51) **LOC (9) Cl.** ..... **15-09**

(52) **U.S. Cl.** ..... **D15/138**

(58) **Field of Classification Search** ..... D13/182;  
D15/138, 144, 144.1, 144.2; 118/723; 156/345,  
156/345.36, 345.41, 345.48; 204/298.06,  
204/298.08, 298.11, 298.34; 336/232

See application file for complete search history.

(56) **References Cited**

U.S. PATENT DOCUMENTS

4,391,034	A *	7/1983	Stuby .....	118/504
6,280,563	B1 *	8/2001	Baldwin et al. ....	156/345.48
7,694,651	B2 *	4/2010	Vikharev et al. ....	118/723 MW
2001/0007302	A1 *	7/2001	Hong .....	204/192.12
2006/0110546	A1 *	5/2006	Vikharev et al. ....	427/575
2008/0102538	A1 *	5/2008	Chang et al. ....	438/5
2009/0068934	A1 *	3/2009	Hong et al. ....	451/288
2009/0314434	A1 *	12/2009	Song et al. ....	156/345.48
2010/0230273	A1 *	9/2010	Kawamata .....	204/192.12

\* cited by examiner

*Primary Examiner* — Patricia Palasik

(74) *Attorney, Agent, or Firm* — Cantor Colburn LLP

(57) **CLAIM**

The ornamental design for a dielectric window for a plasma processing device, as shown and described.

**DESCRIPTION**

FIG. 1 is a perspective view of a dielectric window for plasma processing device showing our new design;  
FIG. 2 is a front view thereof;  
FIG. 3 is a rear view thereof;  
FIG. 4 is a right side view thereof;  
FIG. 5 is a top plan view thereof; and,  
FIG. 6 is a cross-sectional view taken along line 6-6 of FIG. 2.

**1 Claim, 6 Drawing Sheets**

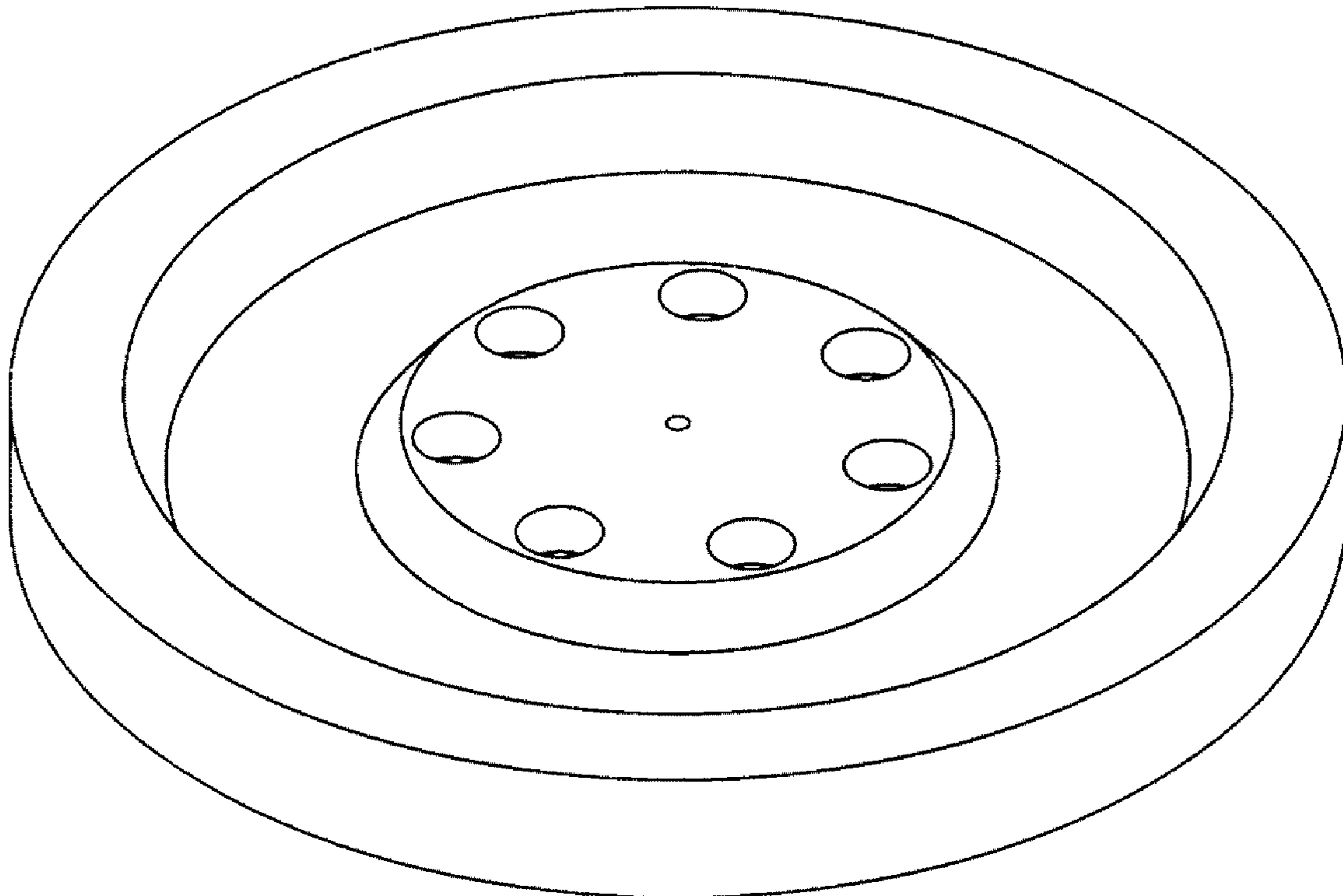


FIG. 1

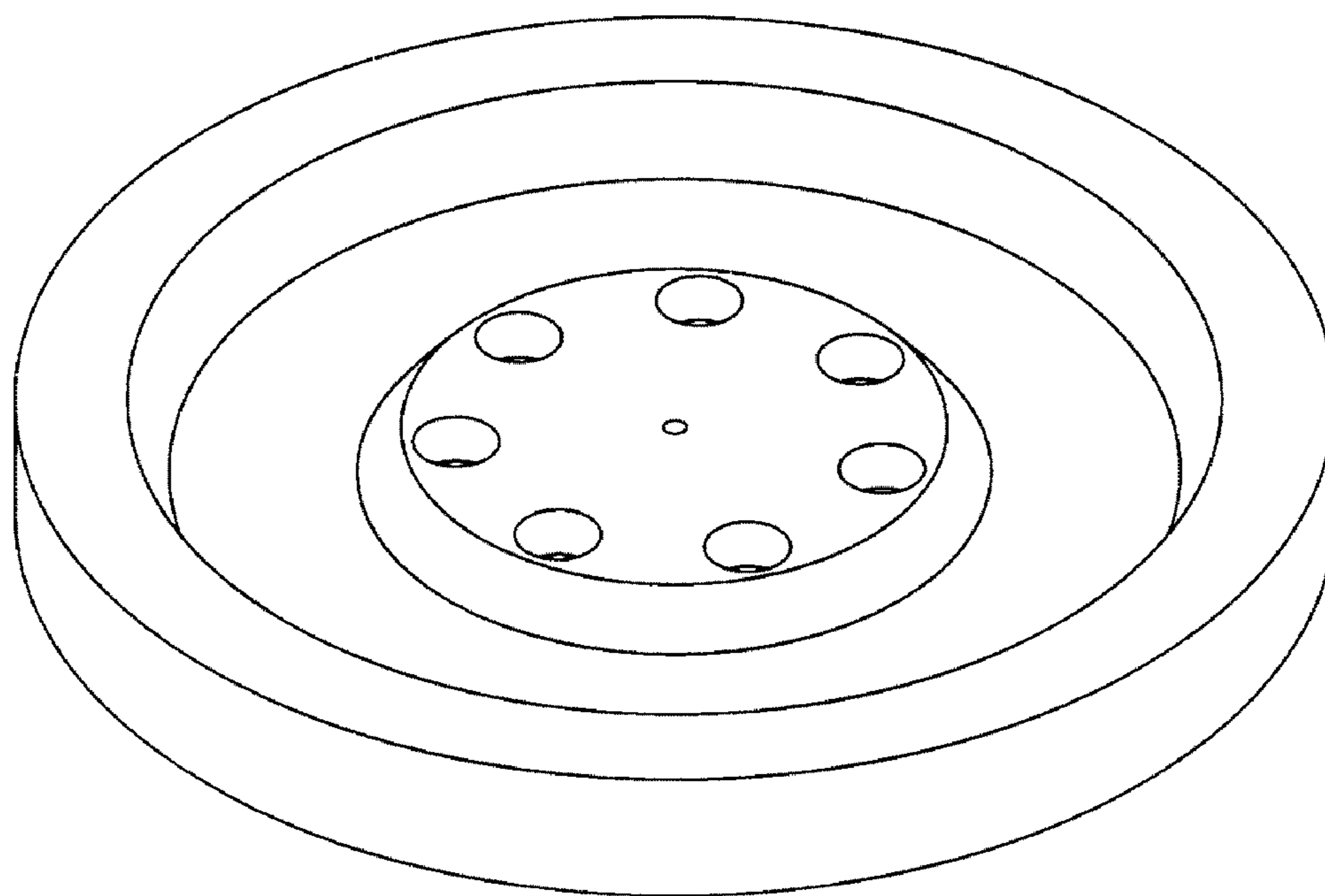


FIG. 2

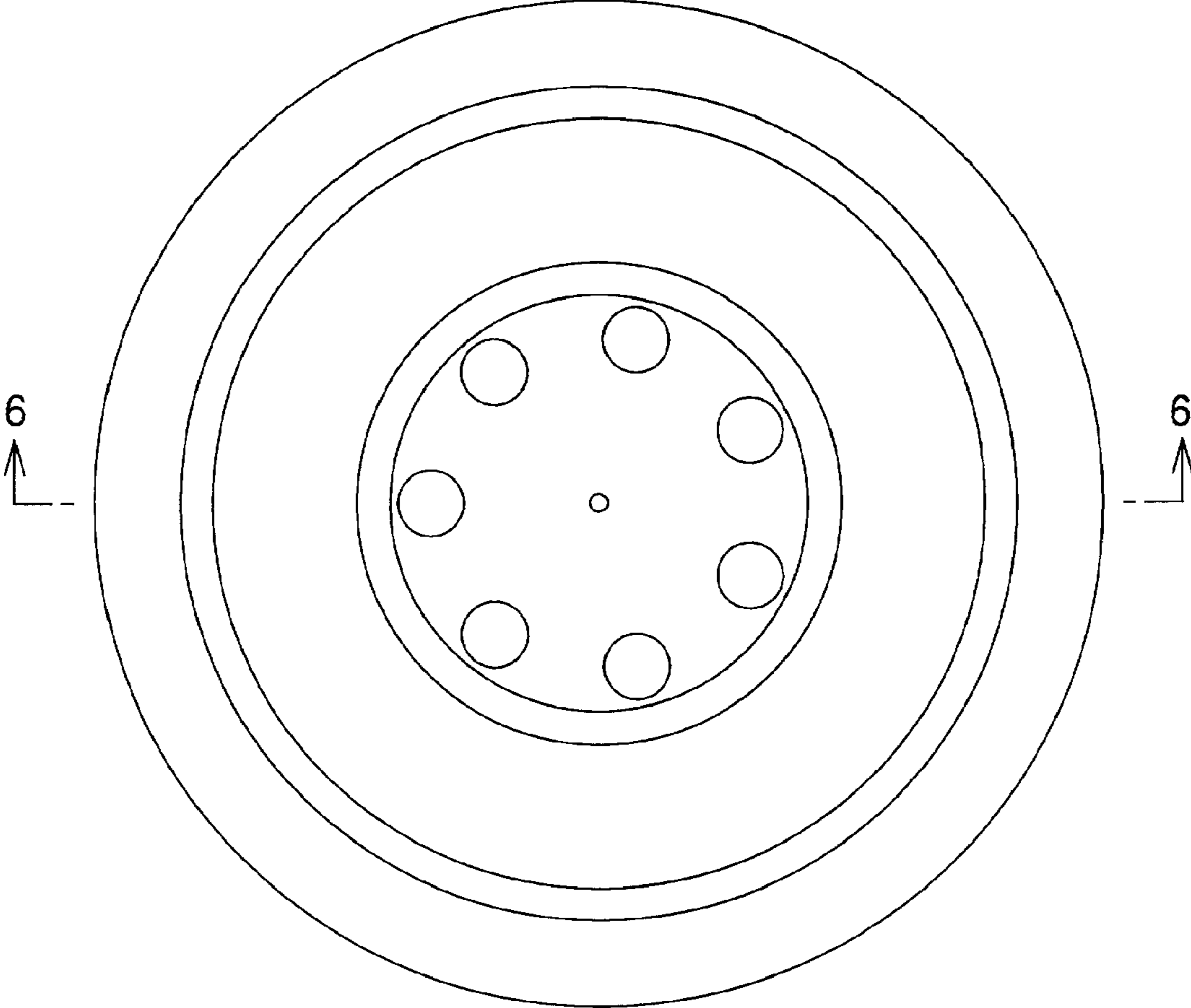


FIG. 3

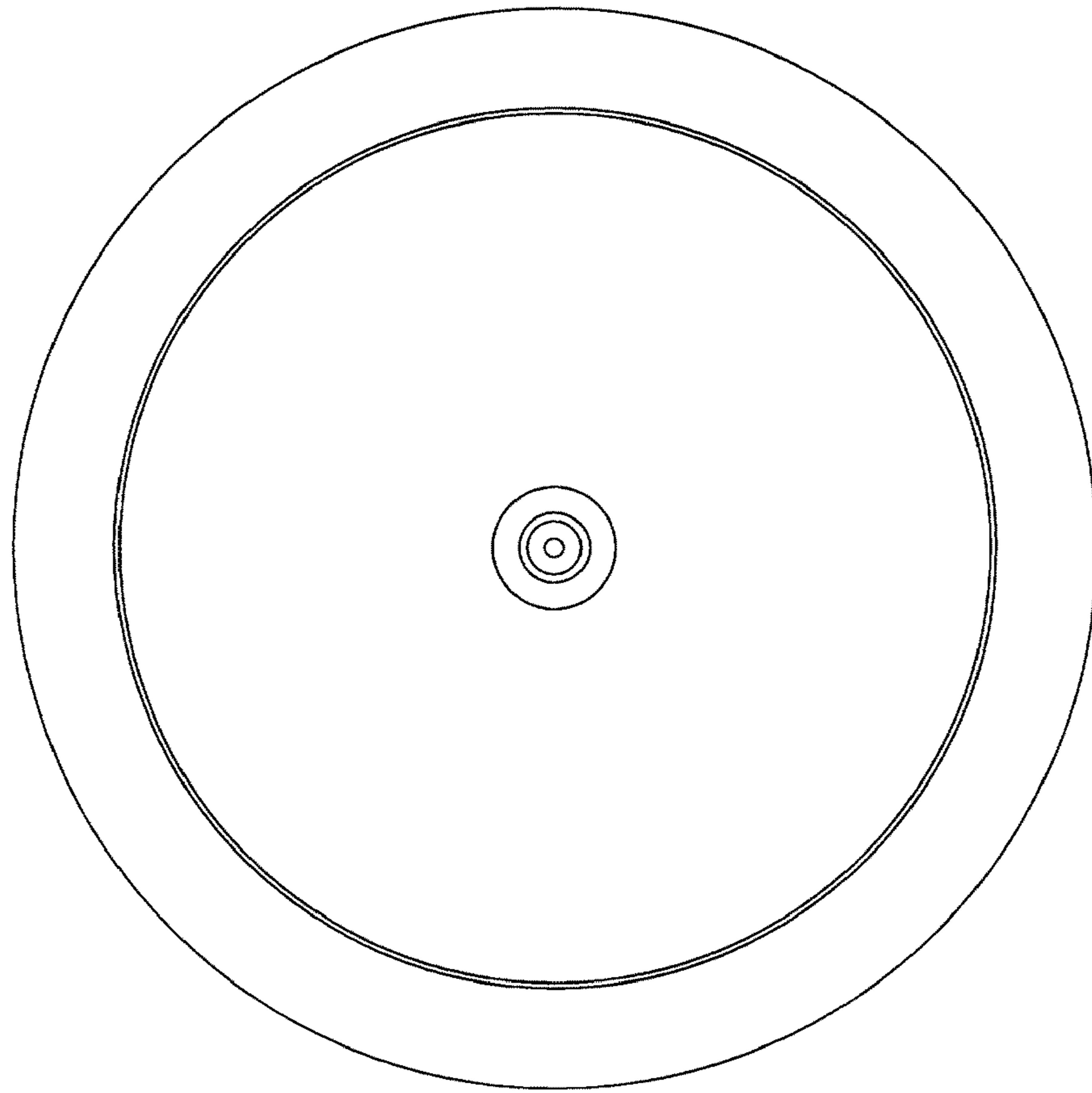


FIG. 4

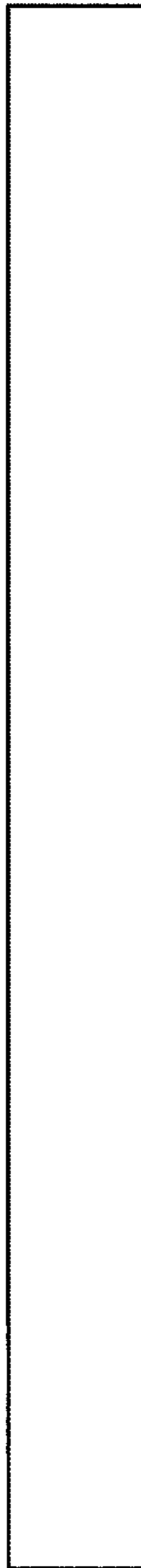


FIG. 5

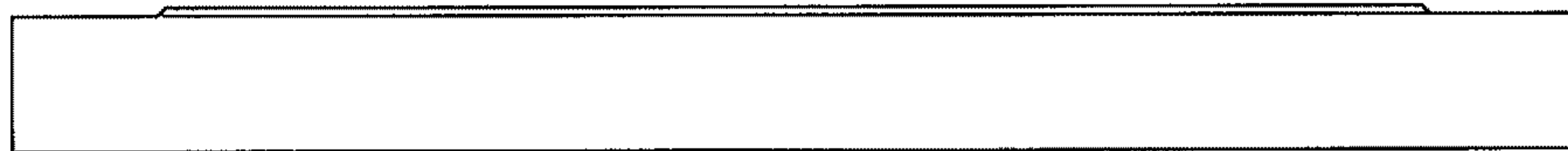


FIG. 6

