



US00D645482S

(12) **United States Design Patent**
Magnusson

(10) **Patent No.:** **US D645,482 S**

(45) **Date of Patent:** **** Sep. 20, 2011**

(54) **BASE COVER FOR A PLANT CULTIVATING SYSTEM**

(76) Inventor: **Claes Magnusson**, Malaga (ES)

(**) Term: **14 Years**

(21) Appl. No.: **29/363,512**

(22) Filed: **Jun. 10, 2010**

(51) **LOC (9) Cl.** **15-03**

(52) **U.S. Cl.** **D15/28**

(58) **Field of Classification Search** D15/10,
D15/17, 22-26, 28; D12/192; D13/184,
D13/162, 164; D14/247, 285, 415; D10/125;
D34/28, 35; 220/811; 180/315, 89.1, 89.12,
180/235, 900; 414/273, 495, 454, 459, 460,
414/719, 694, 699, 722-724; 212/324, 326,
212/327

See application file for complete search history.

(56) **References Cited**

U.S. PATENT DOCUMENTS

4,121,668	A	*	10/1978	Miner	172/42
D250,713	S	*	1/1979	Korpi	D15/28
D250,957	S	*	1/1979	Palmer	D15/28
D284,767	S	*	7/1986	Clark et al.	D15/33
D285,081	S	*	8/1986	Wood	D15/33
D425,143	S	*	5/2000	Strickland	D21/561

D558,798	S	*	1/2008	Sakitani et al.	D15/28
D588,061	S	*	3/2009	Bao et al.	D13/122
D588,062	S	*	3/2009	Bao et al.	D13/122
D627,798	S	*	11/2010	Berning et al.	D15/28
D627,800	S	*	11/2010	Berning et al.	D15/28
D627,802	S	*	11/2010	Berning et al.	D15/28
D628,603	S	*	12/2010	Berning et al.	D15/28
D629,426	S	*	12/2010	Prickel et al.	D15/27

* cited by examiner

Primary Examiner — Mark Goodwin

(74) *Attorney, Agent, or Firm* — Birch, Stewart, Kolasch & Birch, LLP

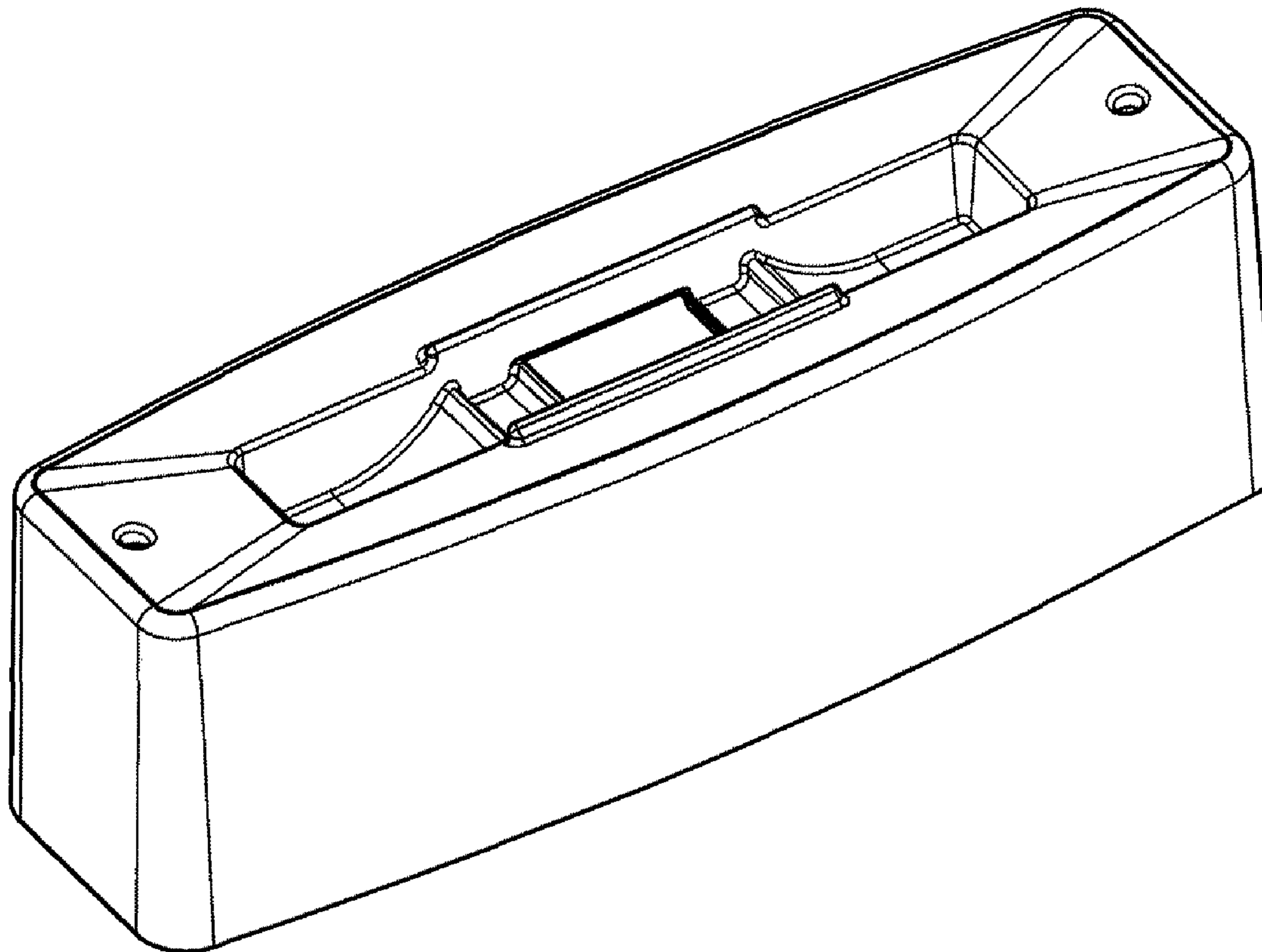
(57) **CLAIM**

The ornamental design for a base cover for a plant cultivating system, as shown and described.

DESCRIPTION

FIG. 1 is a perspective view of a base cover for a plant cultivating system showing my new design;
FIG. 2 is a front elevation view thereof;
FIG. 3 is a rear side view thereof;
FIG. 4 is a right side view thereof;
FIG. 5 is a left side view thereof;
FIG. 6 is a top plan view thereof; and,
FIG. 7 is a cross-sectional view taken along line 7-7 in FIG. 6.
The bottom view is not ornamental and forms no part of the claimed design.

1 Claim, 2 Drawing Sheets



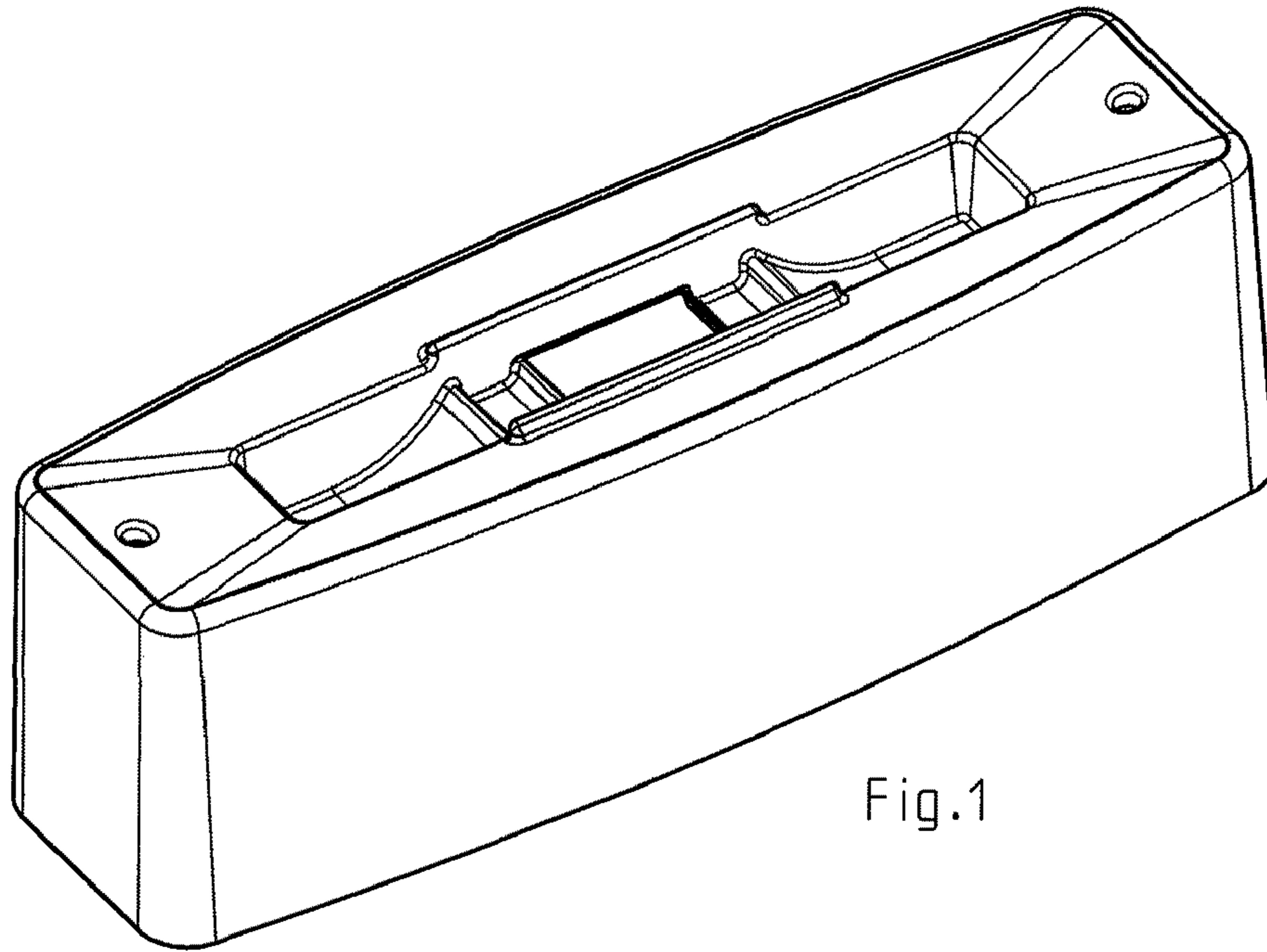


Fig.1

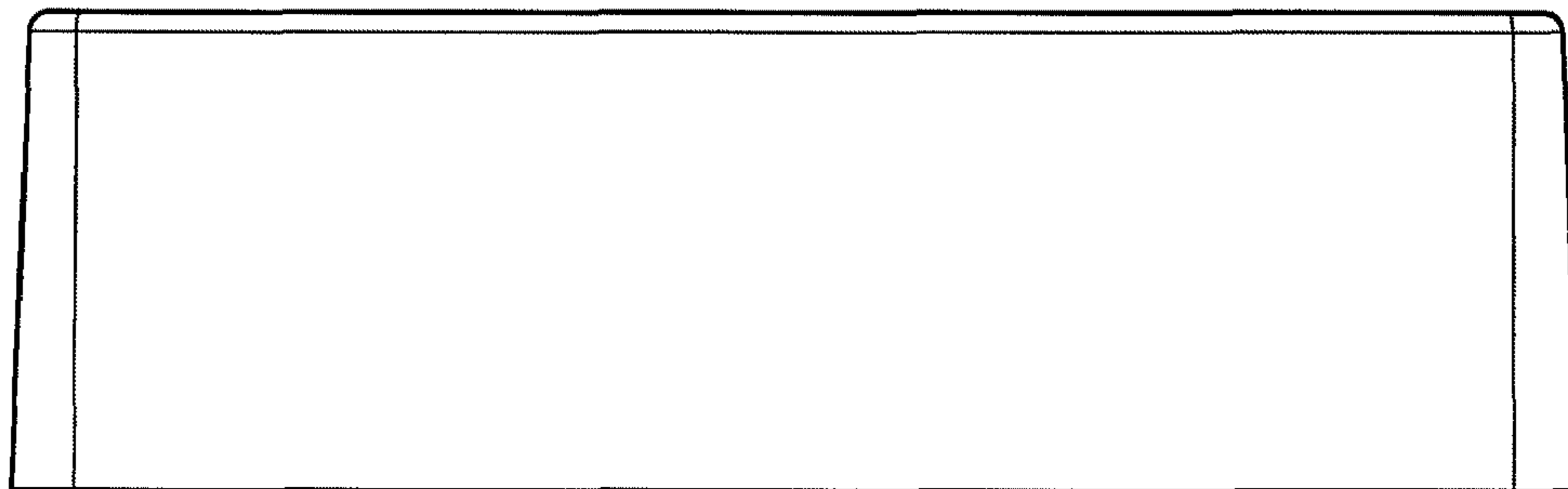


Fig.2

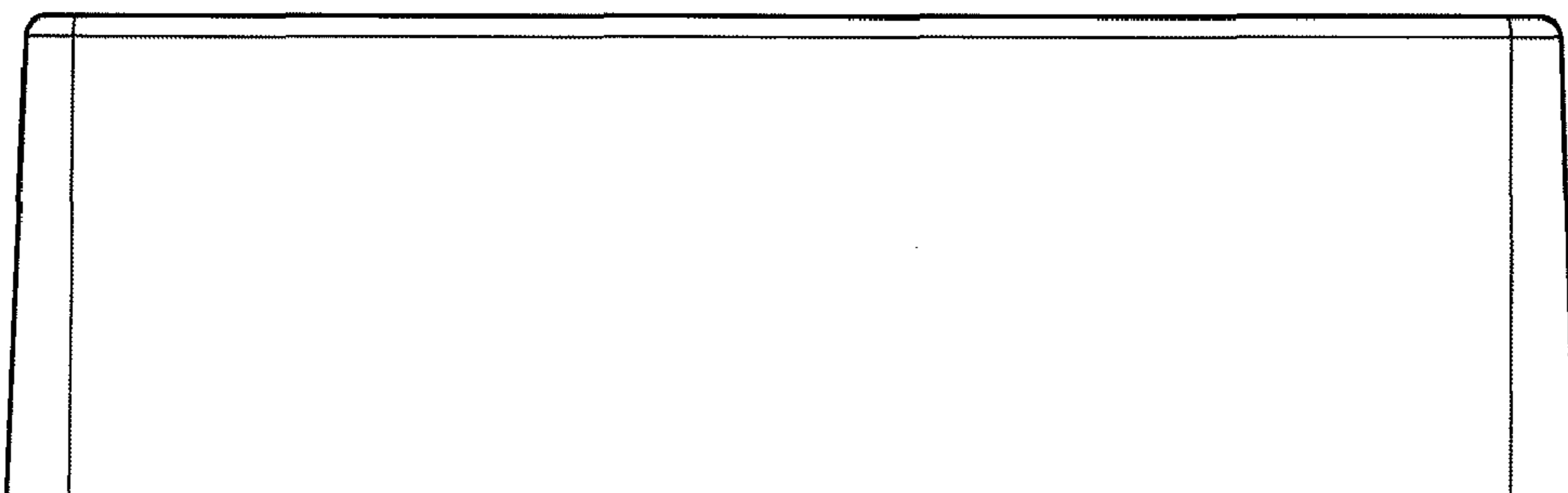


Fig.3

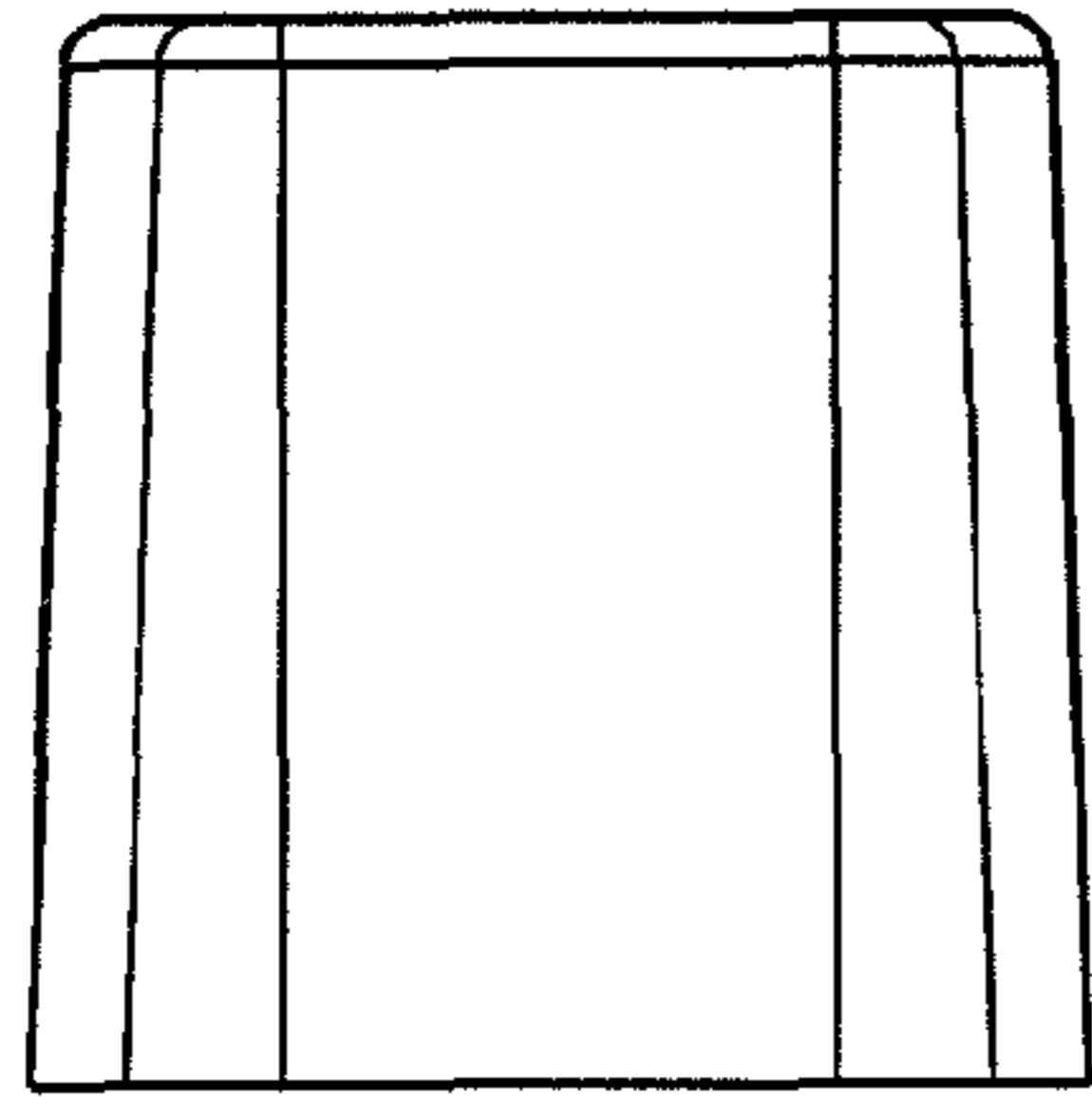


Fig. 4

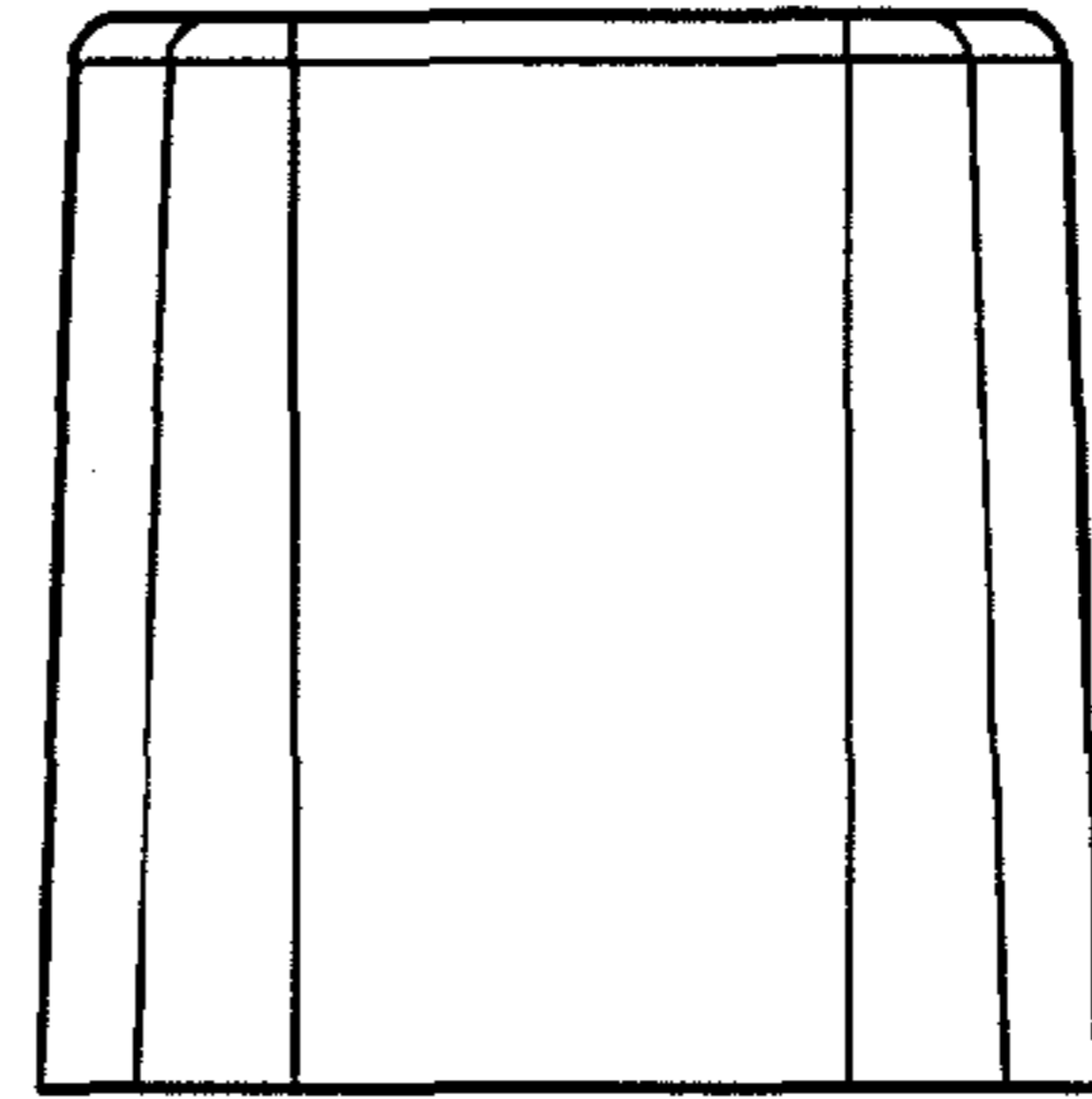


Fig. 5

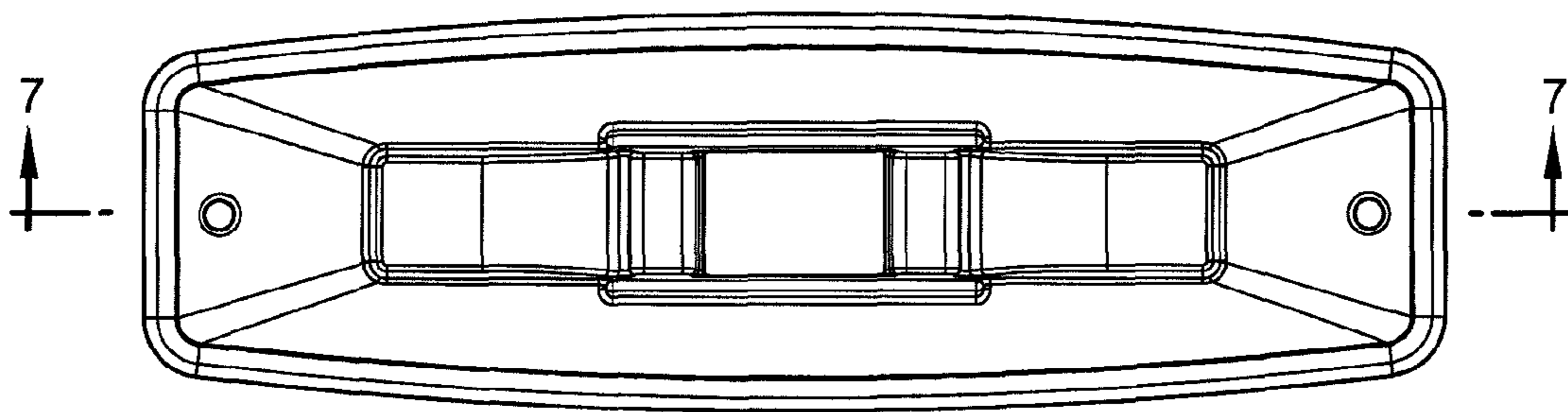


Fig. 6

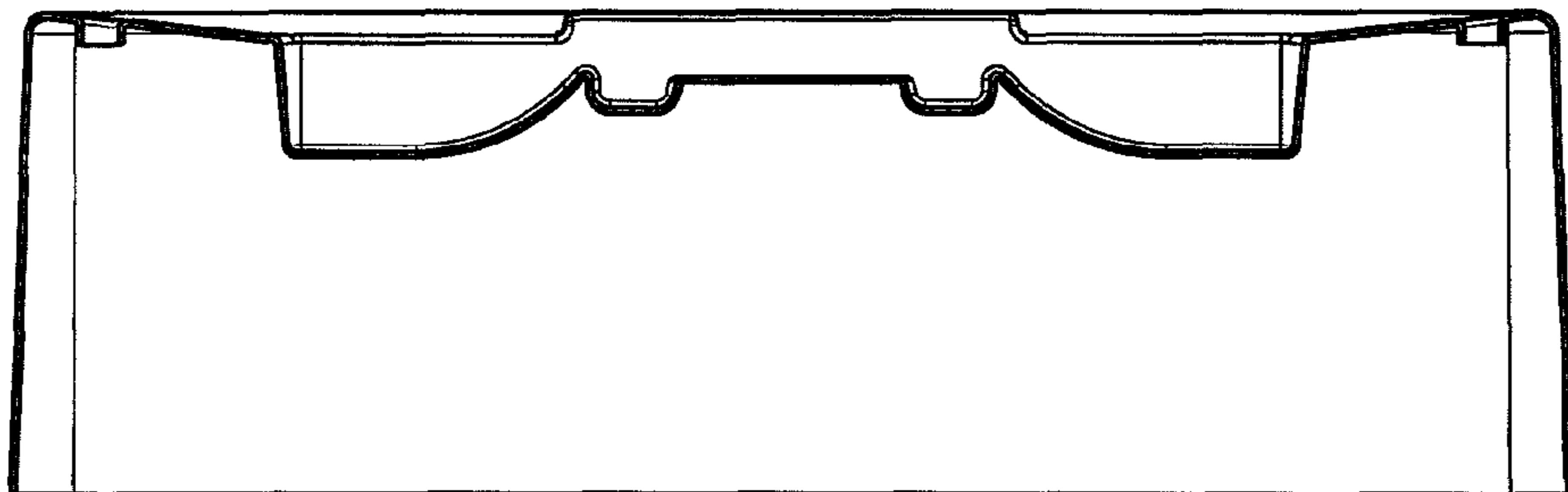


Fig. 7