



US00D645479S

(12) **United States Design Patent**
Ehrhart et al.

(10) **Patent No.:** **US D645,479 S**

(45) **Date of Patent:** **** Sep. 20, 2011**

(54) **MOWER DISC**

(75) Inventors: **Philip J. Ehrhart**, Narvon, PA (US);
Mark D. Layton, Lititz, PA (US);
Martin Jean Roberge, Saskatoon (CA);
Donald L. Osborne, Quarryville, PA
(US)

(73) Assignee: **CNH America LLC**, New Holland, PA
(US)

(**) Term: **14 Years**

(21) Appl. No.: **29/384,797**

(22) Filed: **Feb. 3, 2011**

(51) **LOC (9) Cl.** **17-03**

(52) **U.S. Cl.** **D15/17; D15/28**

(58) **Field of Classification Search** D15/17,
D15/28; 56/13.6, 295, 255, 289, 17.5, 503,
56/6, DIG. 17, DIG. 20; 30/276, 347

See application file for complete search history.

(56) **References Cited**

U.S. PATENT DOCUMENTS

4,531,349	A *	7/1985	Ehrhart et al.	56/13.6
4,815,264	A *	3/1989	Mijnders	56/295
5,842,330	A *	12/1998	Richardson et al.	56/6
5,845,468	A *	12/1998	Richardson et al.	56/6
5,960,619	A *	10/1999	Seidel et al.	56/255
D448,779	S *	10/2001	Neuerburg	D15/17
D449,313	S *	10/2001	Neuerburg	D15/17
D449,314	S *	10/2001	Neuerburg	D15/17
D449,623	S *	10/2001	Neuerburg	D15/17
6,305,153	B1	10/2001	Neuerburg	

D450,065	S *	11/2001	Neuerburg	D15/17
6,311,463	B1 *	11/2001	Mellin et al.	56/6
6,829,878	B1	12/2004	Hoffman	
7,490,459	B2 *	2/2009	Thompson et al.	56/255
7,726,108	B1	6/2010	Pruitt	
7,743,478	B2 *	6/2010	Thompson et al.	29/426.1
7,814,736	B2	10/2010	Blakeslee	
2002/0157366	A1	10/2002	Preipke	
2002/0194829	A1	12/2002	Petersen	
2005/0138913	A1	6/2005	Thompson	
2010/0205925	A1 *	8/2010	Thompson et al.	56/255

* cited by examiner

Primary Examiner — Mark Goodwin

(74) *Attorney, Agent, or Firm* — Patrick M. Sheldrake;
Michael G. Harms

(57) **CLAIM**

The ornamental design for a mower disc, as shown and described.

DESCRIPTION

FIG. 1 is a front perspective view of a mower disc showing our new design;

FIG. 2 is a top view thereof;

FIG. 3 is a bottom view thereof;

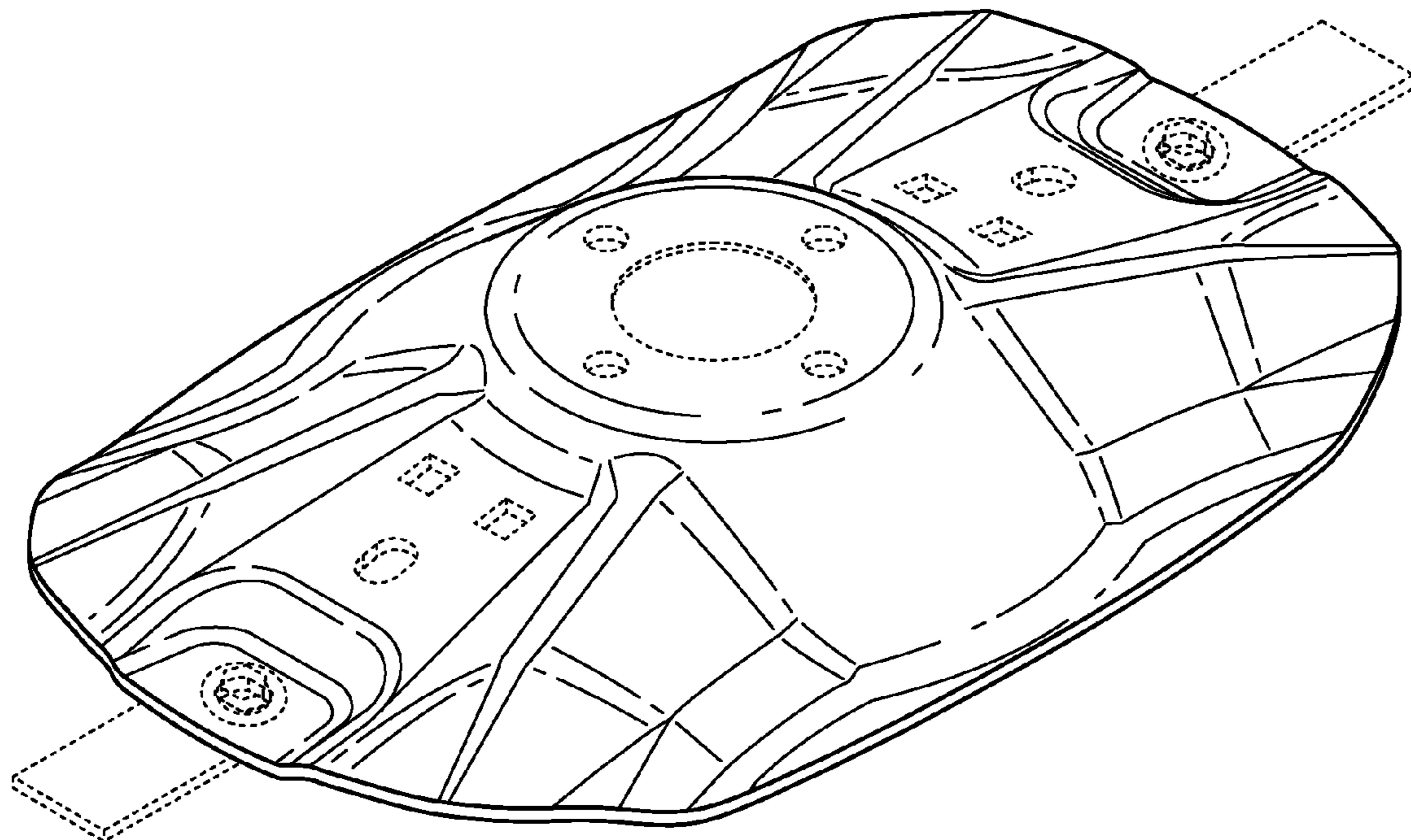
FIG. 4 is a front view thereof, the rear view being identical thereto;

FIG. 5 is a side view thereof, the opposing side view being identical thereto; and,

FIG. 6 is a perspective view showing several discs in use condition with extra discs being shown in broken line.

The broken lines are for illustrative purposes only and form no part of the claimed design.

1 Claim, 5 Drawing Sheets



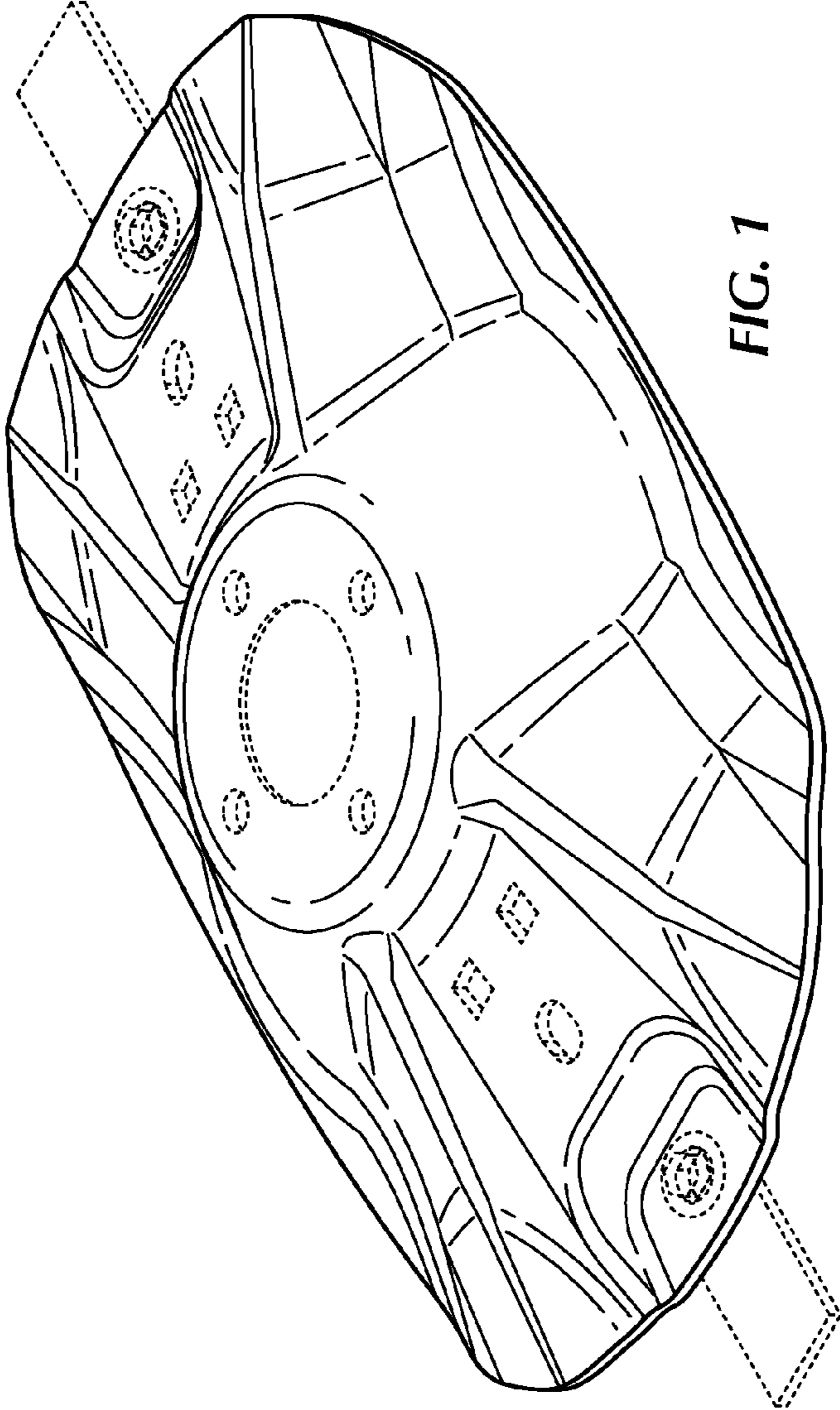


FIG. 1

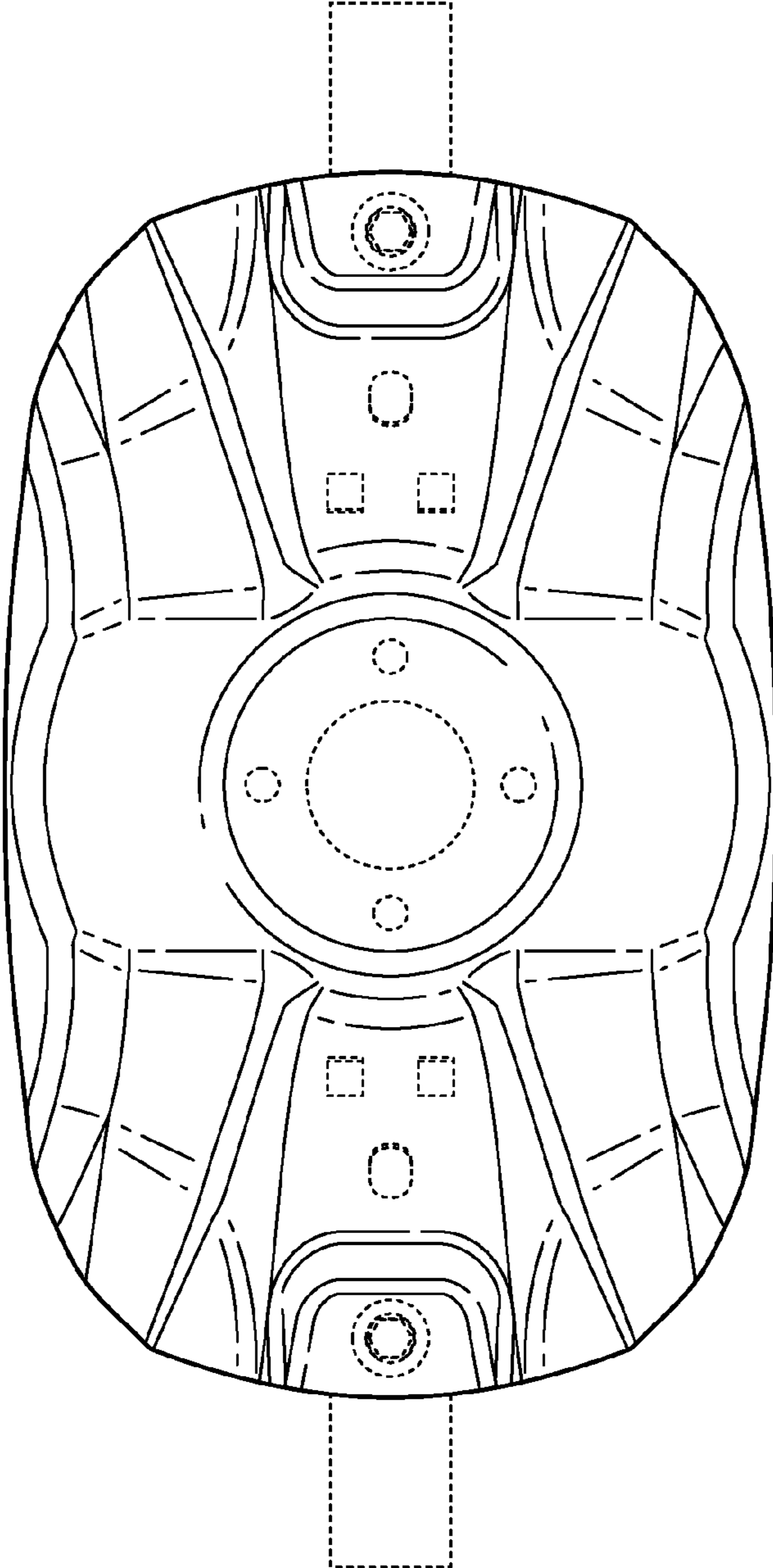


FIG. 2

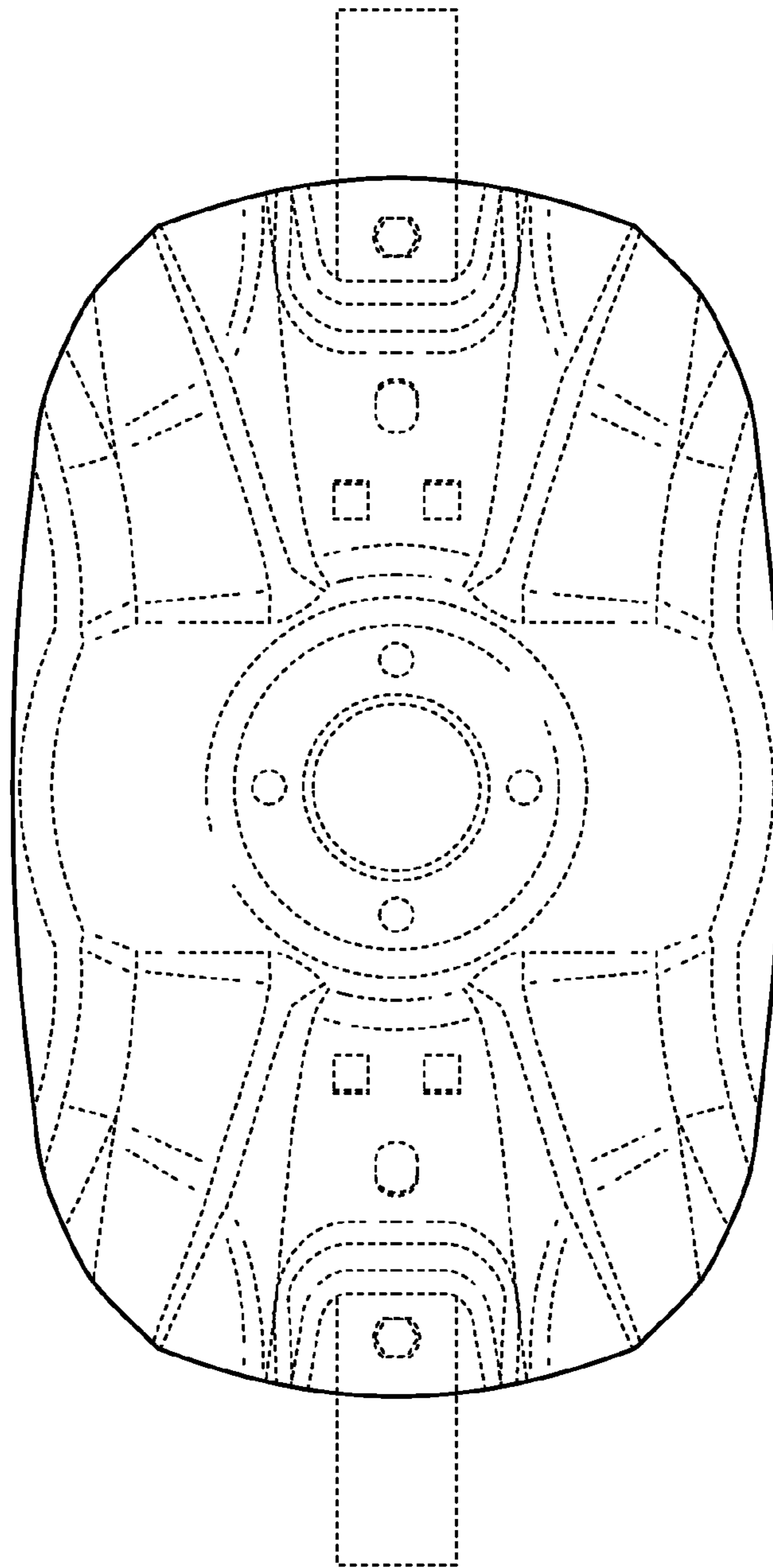


FIG. 3

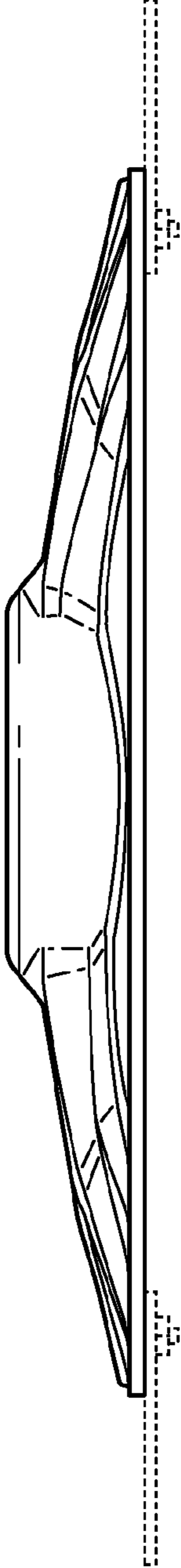


FIG. 4

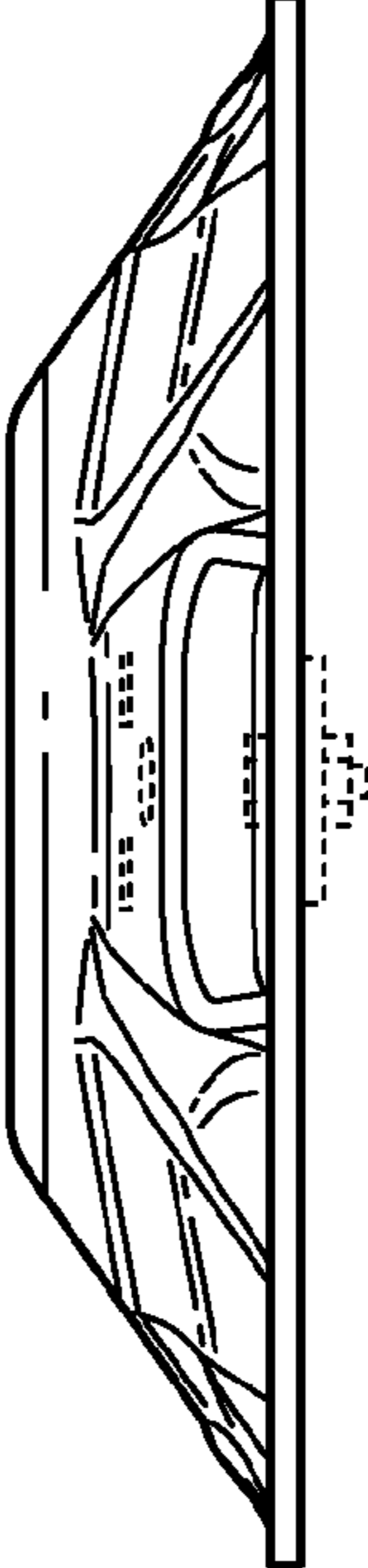


FIG. 5

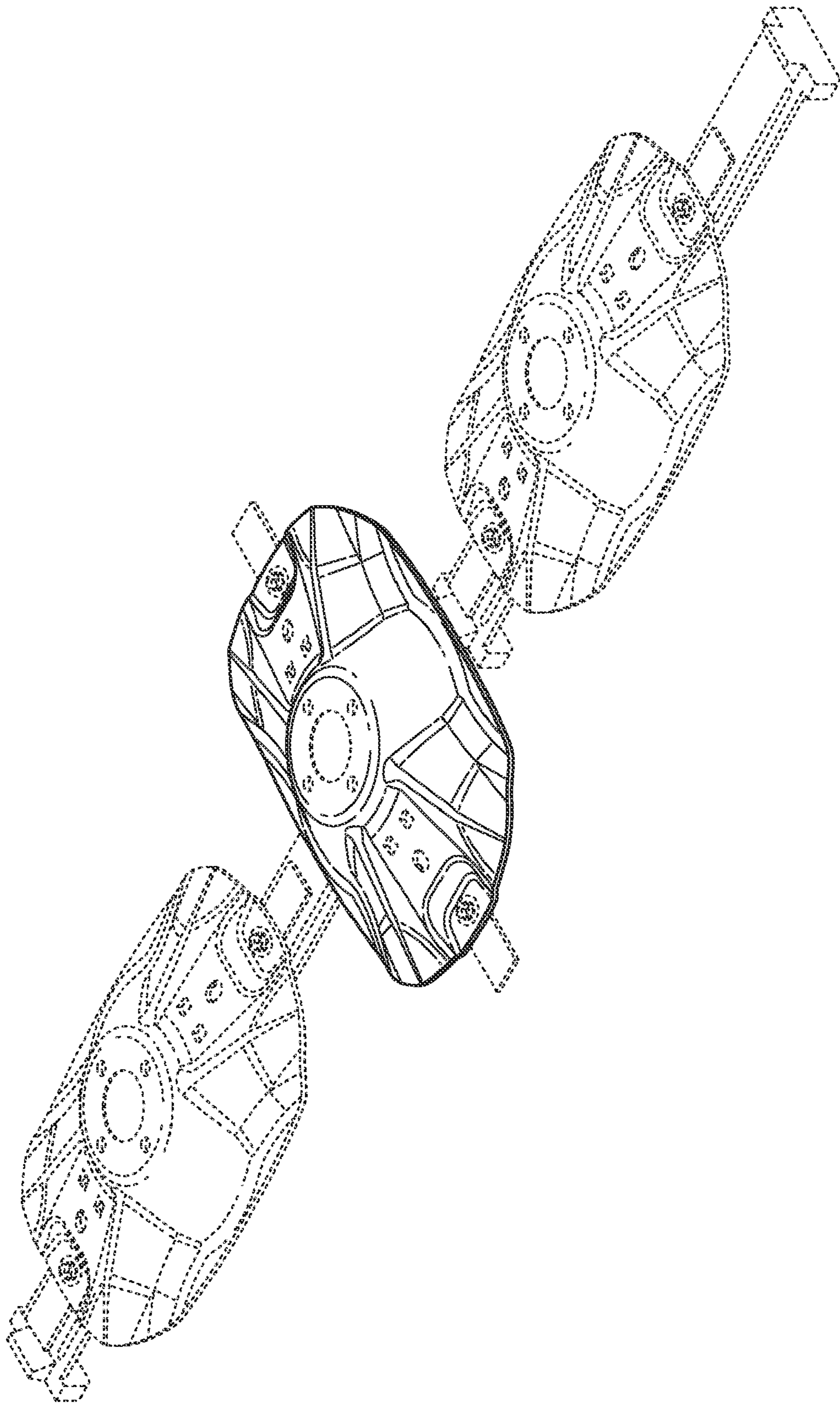


FIG. 6