



US00D645478S

(12) **United States Design Patent**
Iwanicki

(10) **Patent No.:** **US D645,478 S**

(45) **Date of Patent:** **** Sep. 20, 2011**

(54) **WATER PUMP ADAPTOR**

(75) Inventor: **David Iwanicki**, Niantic, CT (US)

(73) Assignee: **Moroso Performance Products, Inc.**,
Guilford, CT (US)

(**) Term: **14 Years**

(21) Appl. No.: **29/376,101**

(22) Filed: **Oct. 1, 2010**

(51) **LOC (9) Cl.** **15-02**

(52) **U.S. Cl.** **D15/7**

(58) **Field of Classification Search** D15/7-9;
D23/231, 232, 225; 417/60, 235, 265, 321,
417/355, 358, 363, 359, 410.1, 415-416,
417/405, 900; 60/408, 412; 184/26-37;
415/140-147; 123/495, 509

See application file for complete search history.

(56) **References Cited**

U.S. PATENT DOCUMENTS

D327,277 S *	6/1992	Bellis	D15/9.1
D436,968 S *	1/2001	Cook	D15/7
D440,232 S *	4/2001	Kou	D15/9
D461,195 S *	8/2002	Kudou et al.	D15/9
D463,453 S *	9/2002	Fujita	D15/9

D541,815 S *	5/2007	Drummond, Jr.	D15/7
D574,857 S *	8/2008	Chu	D15/9
D589,061 S *	3/2009	Chu	D15/7

* cited by examiner

Primary Examiner — Ralf Seifert

(74) *Attorney, Agent, or Firm* — St. Onge Steward Johnston & Reens LLC

(57) **CLAIM**

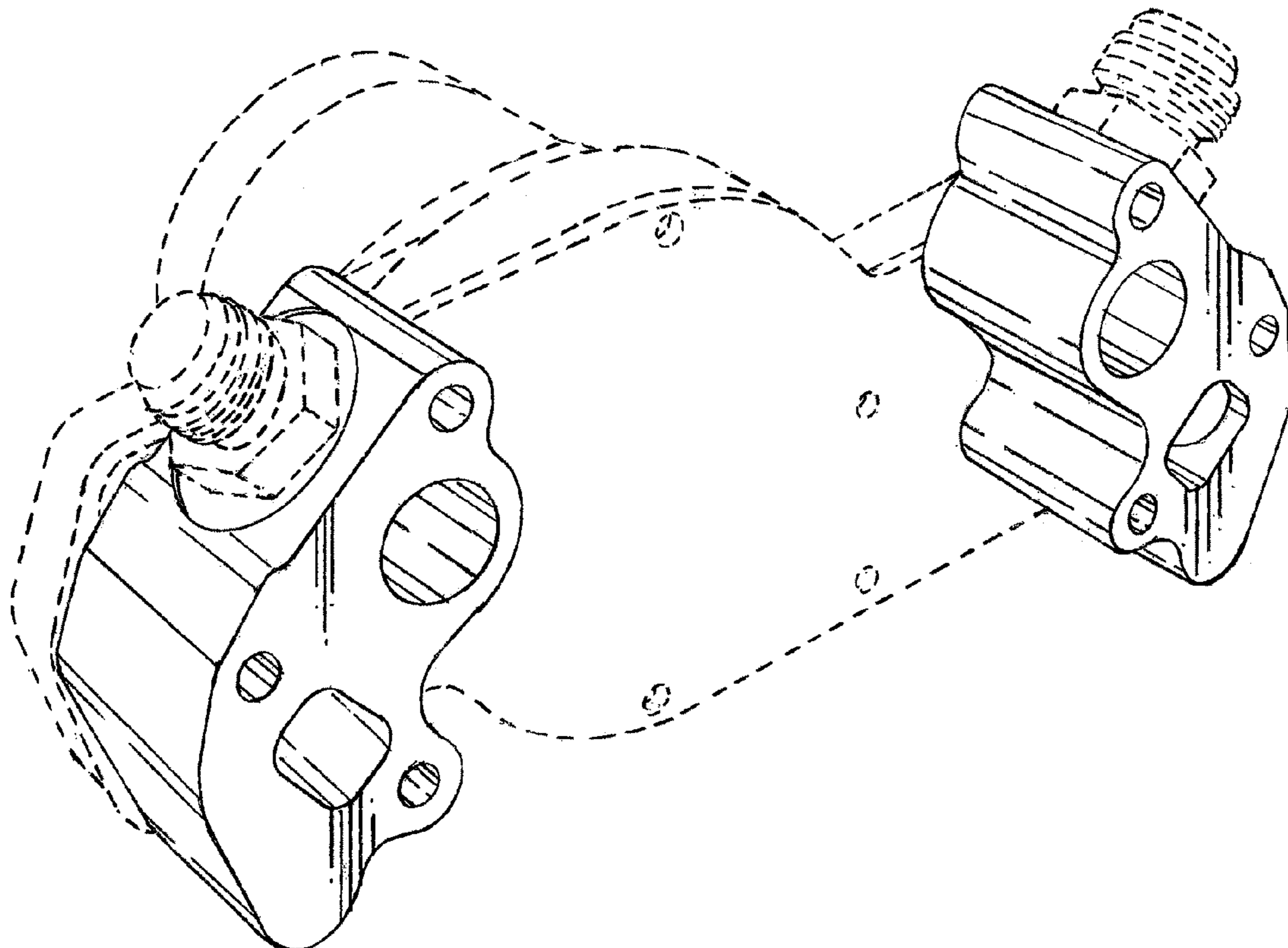
The ornamental design for a water pump adaptor, as shown and described.

DESCRIPTION

FIG. 1 is a top perspective view of a water pump adaptor; FIG. 2 is a bottom perspective view of a water pump adaptor; FIG. 3 is a bottom view thereof; FIG. 4 is a top view thereof; FIG. 5 is a front view thereof; FIG. 6 is a rear view thereof; FIG. 7 is a right view thereof; FIG. 8 is a left view thereof; FIG. 9 is top perspective view thereof, showing environmental use of the claimed design; FIG. 10 a cross-section view along 11 of FIG. 4; FIG. 11 is cross-section view along 10 of FIG. 4; and, FIG. 12 is a cross-section view along 12 of FIG. 4.

The broken lines shown in FIG. 9 are included for illustrating an environmental structure and form no part of the claimed design.

1 Claim, 7 Drawing Sheets



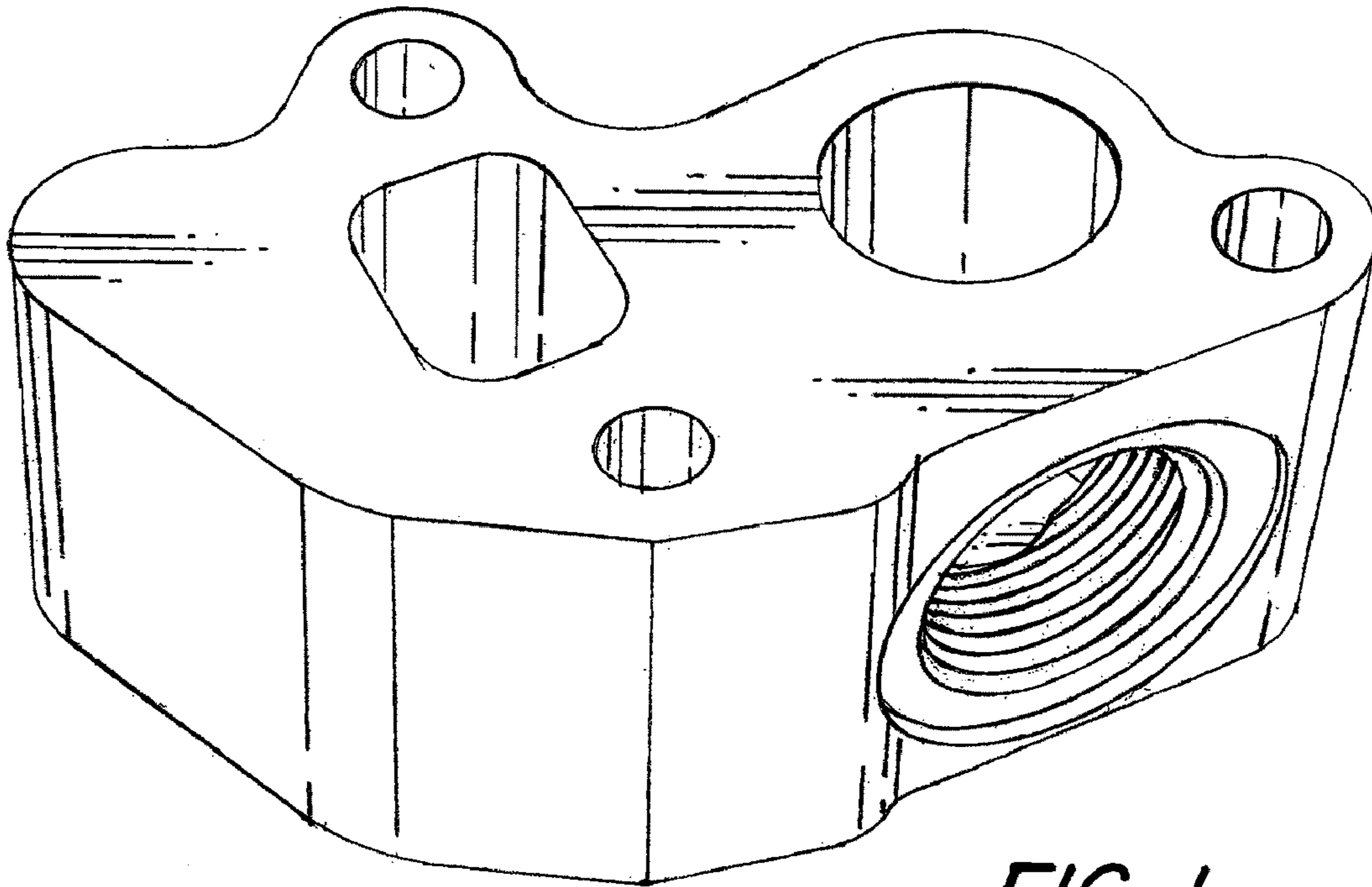


FIG. 1

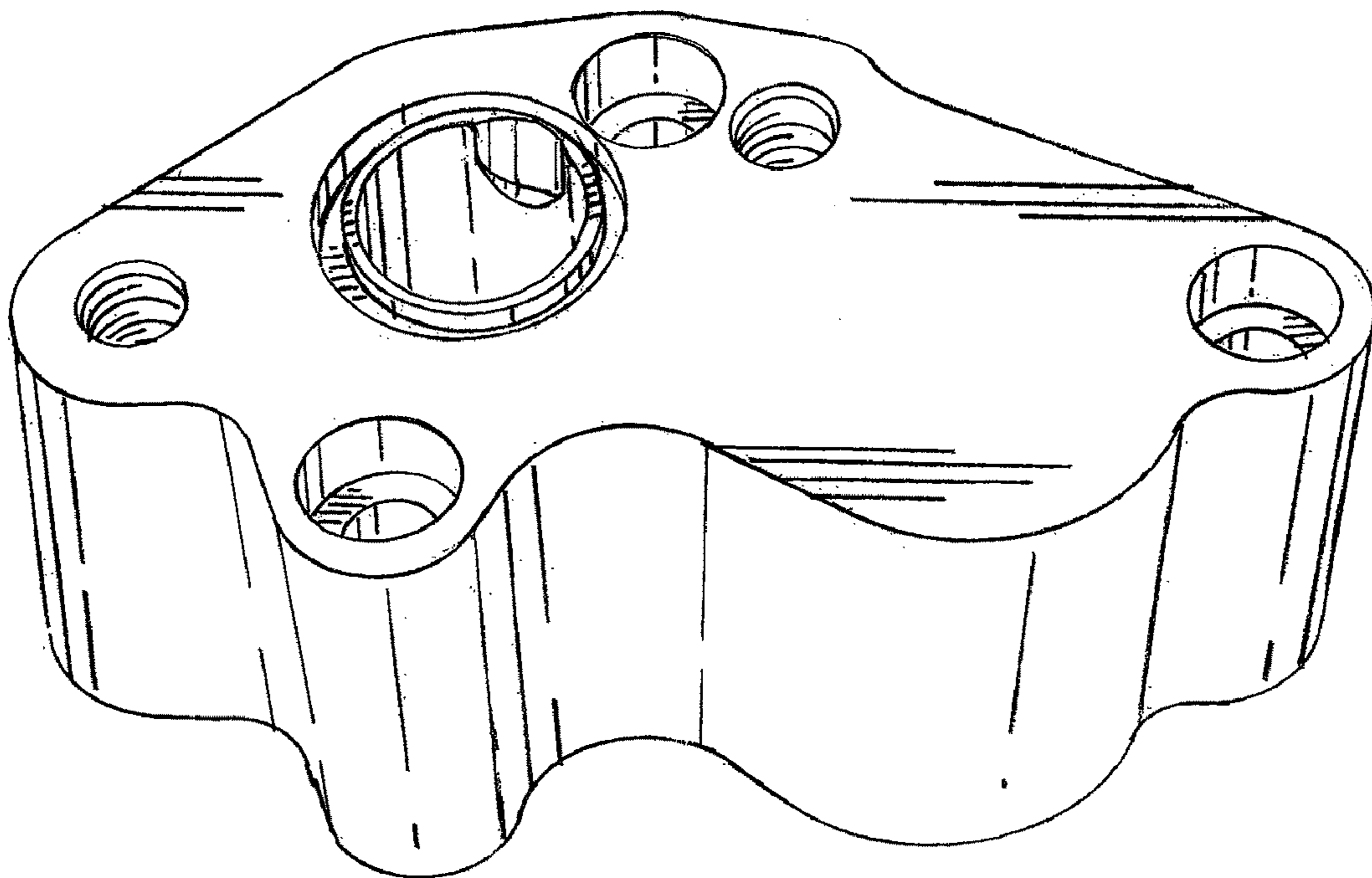


FIG. 2

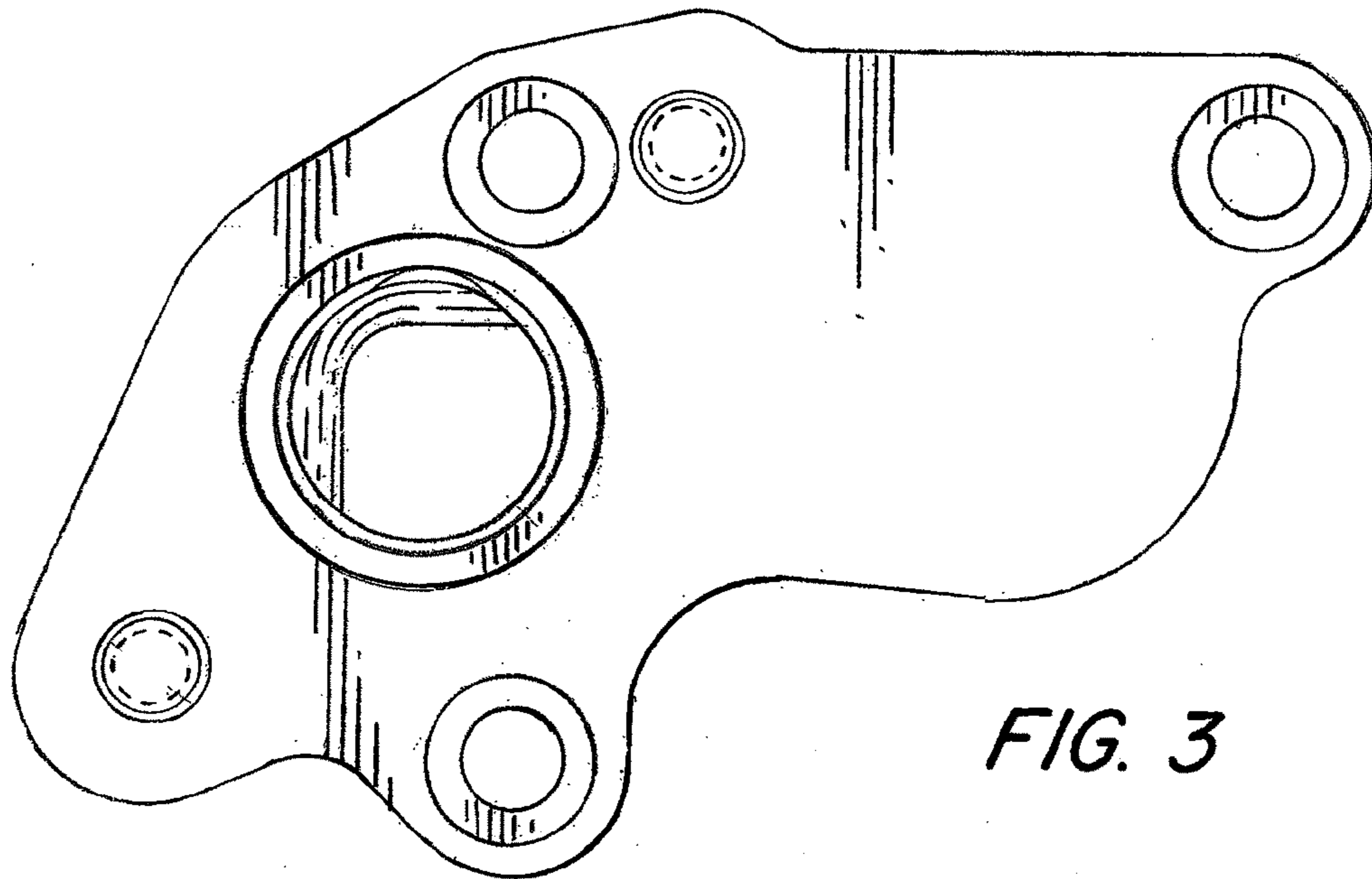


FIG. 3

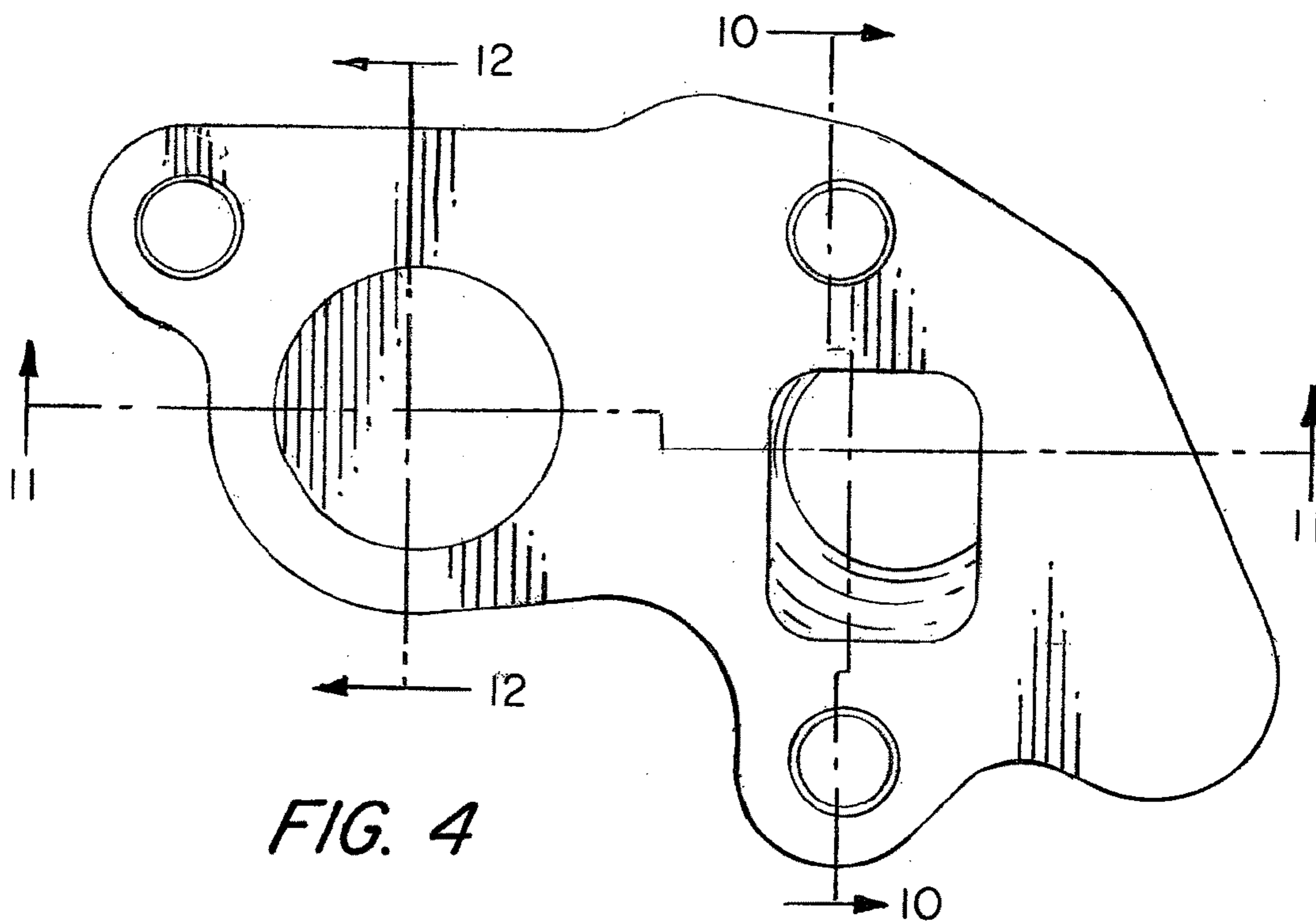


FIG. 4

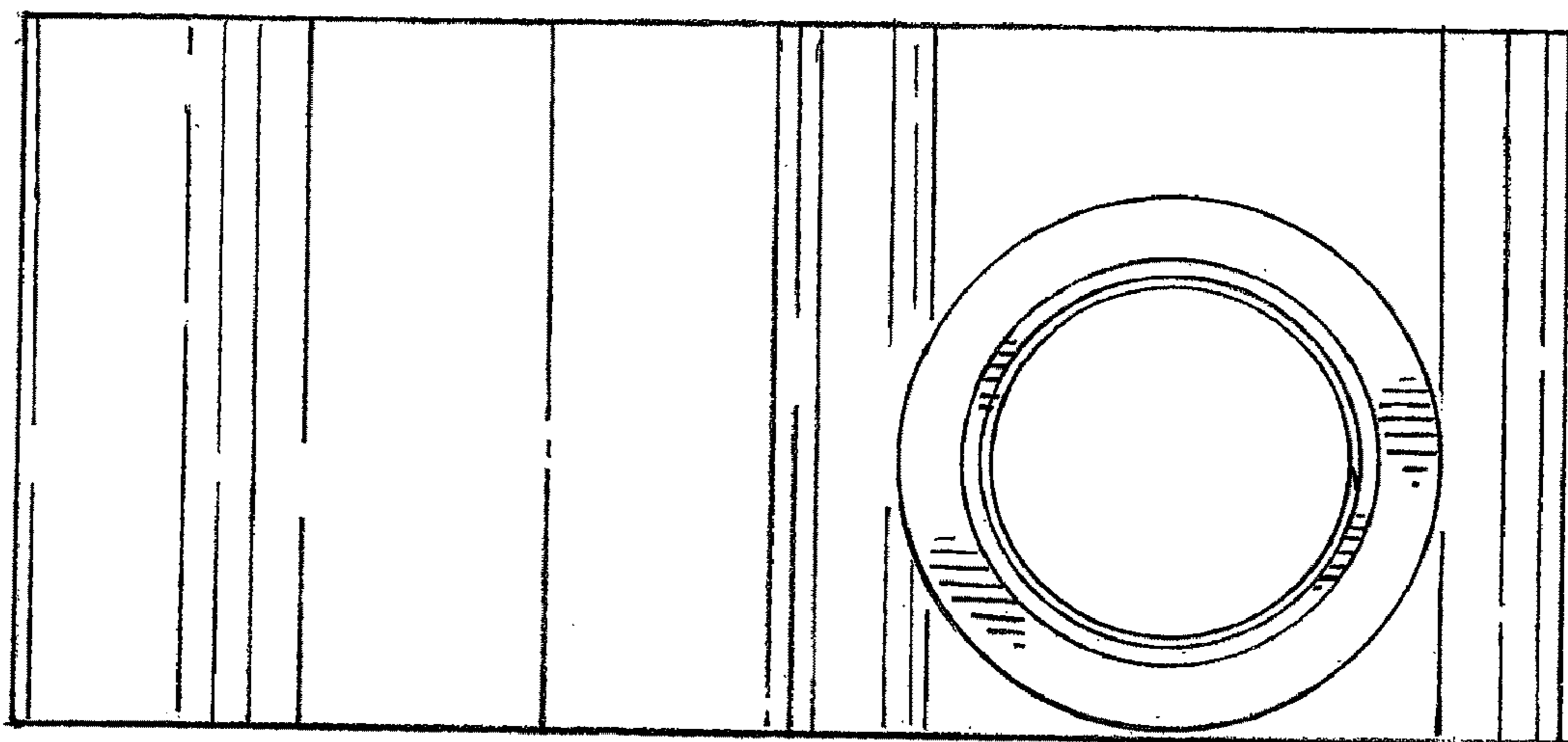


FIG. 5

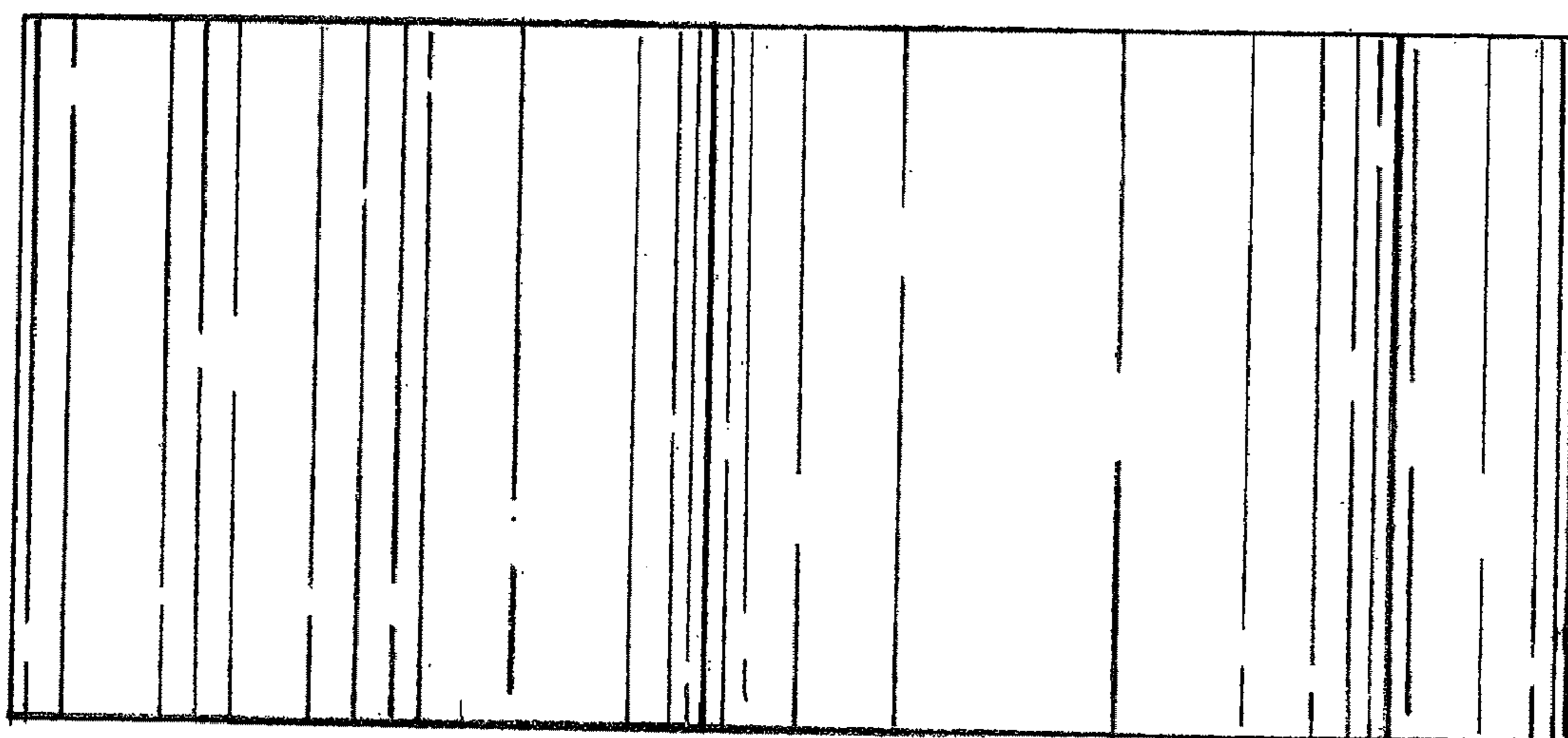


FIG. 6

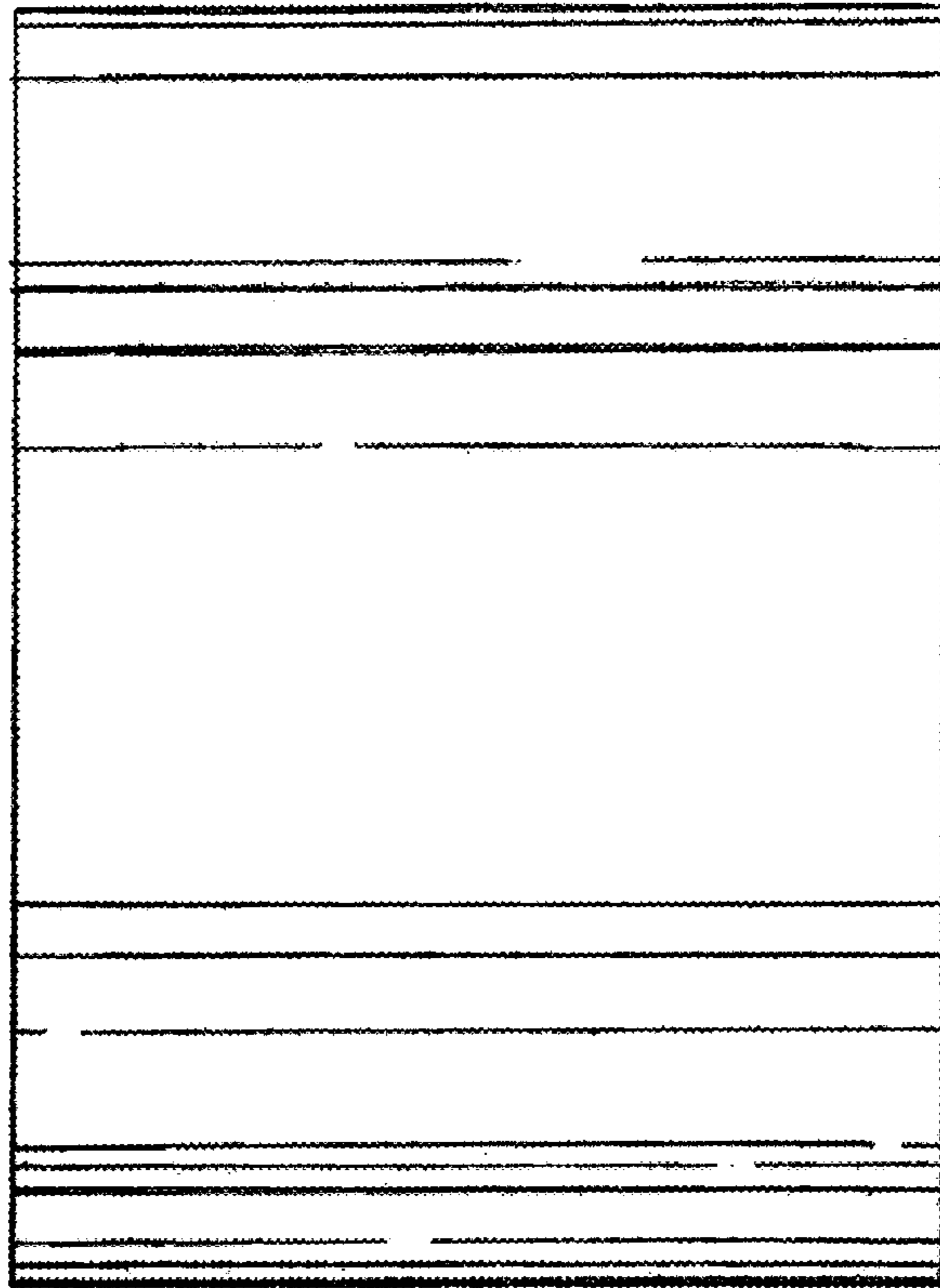


FIG. 7

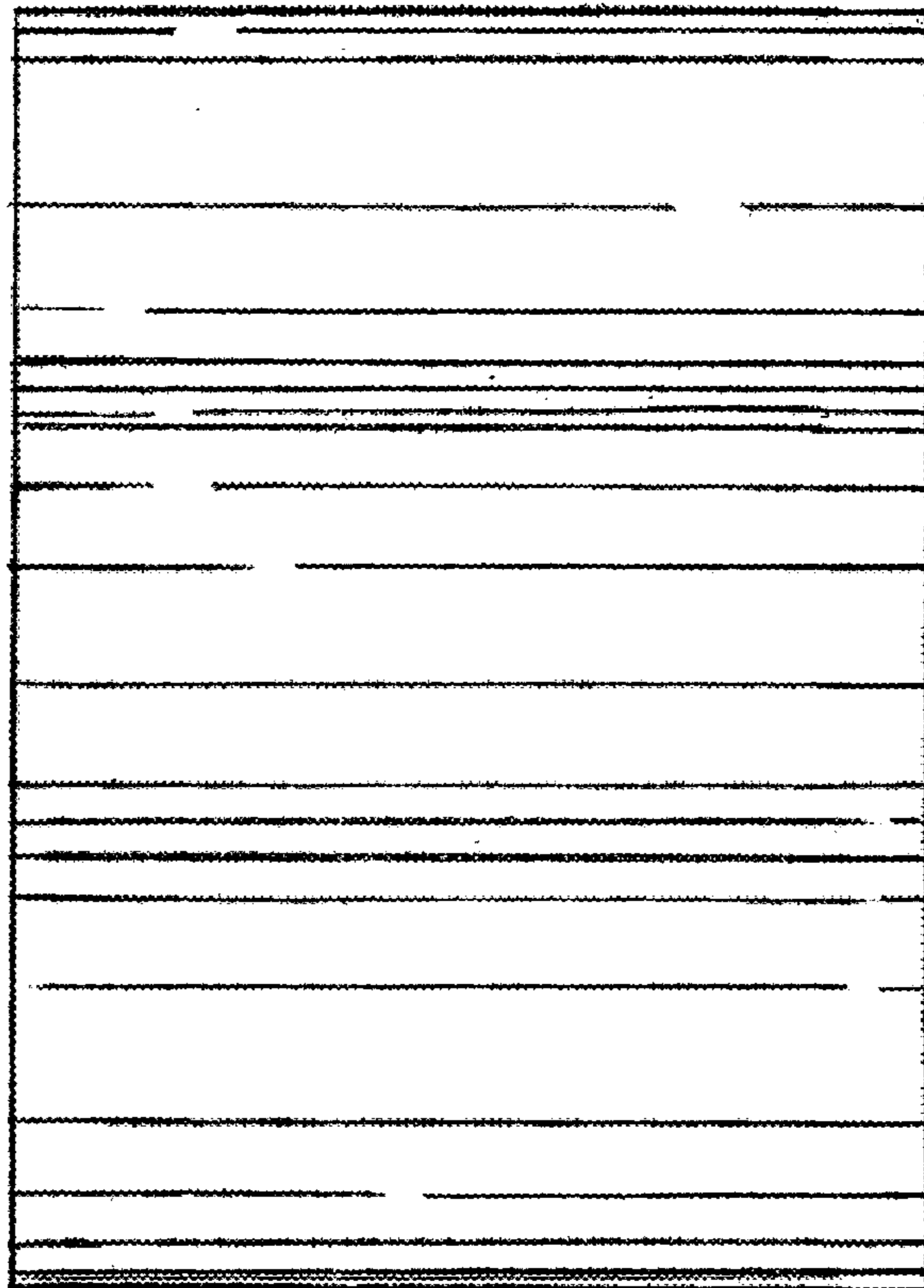


FIG. 8

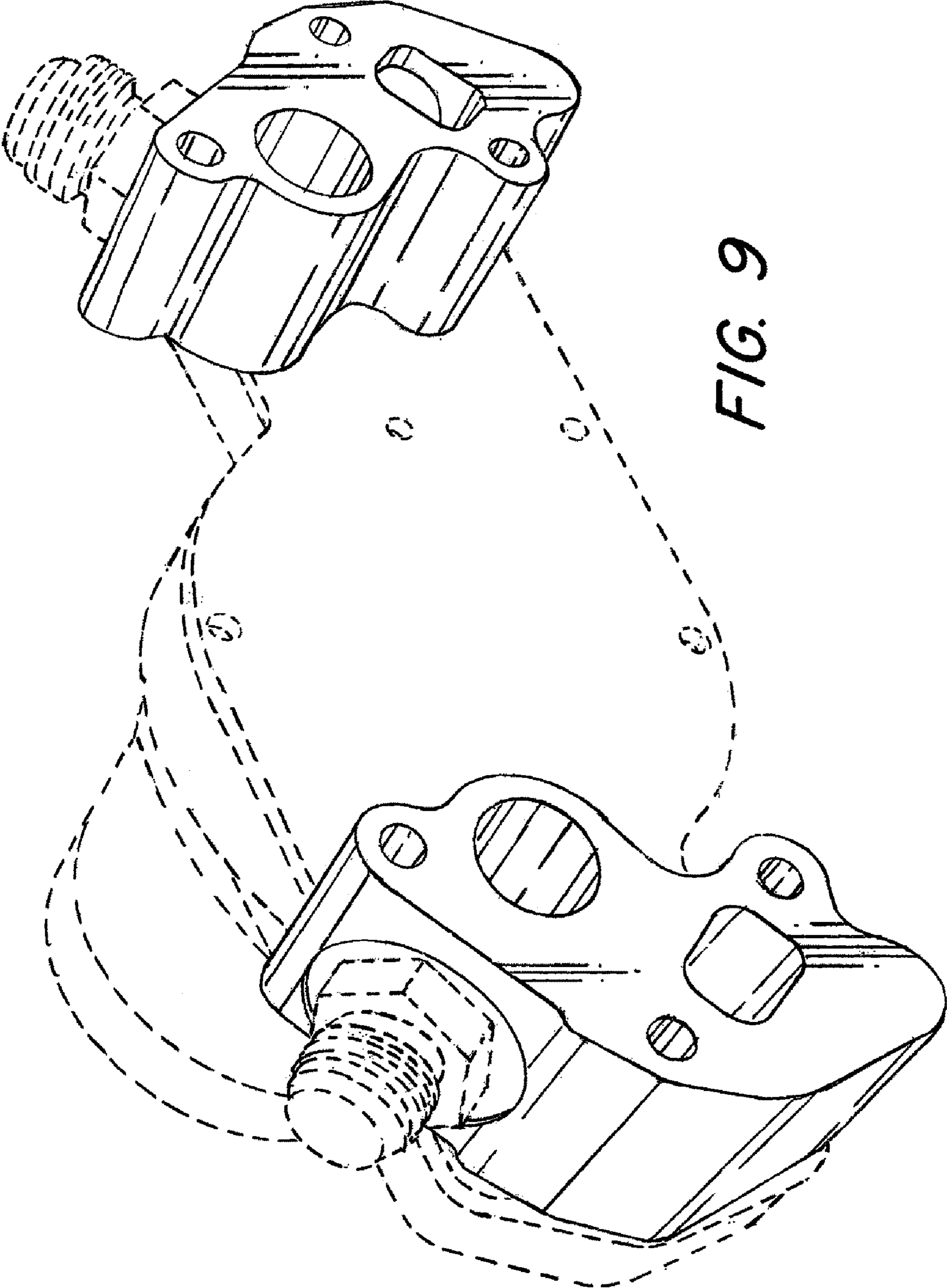


FIG. 9

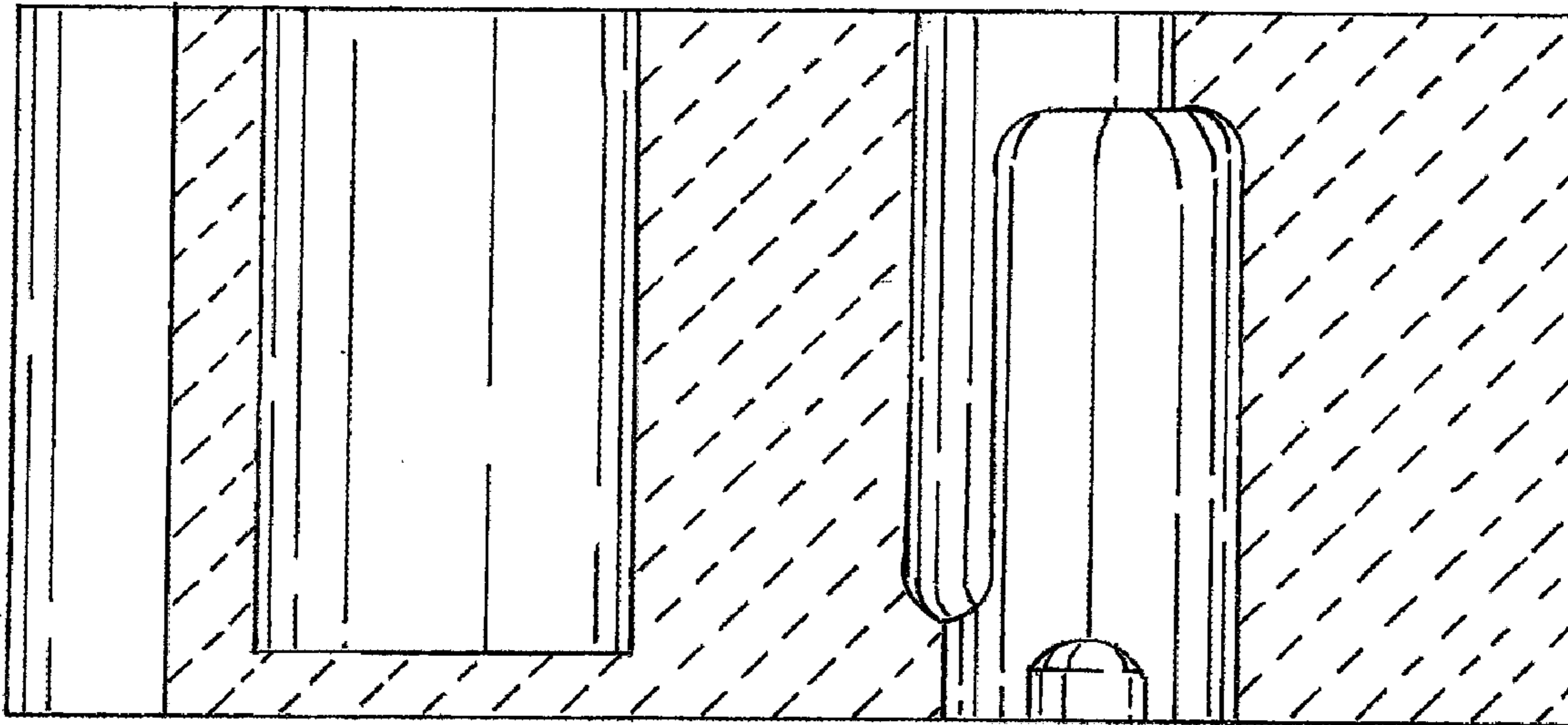


FIG. 10

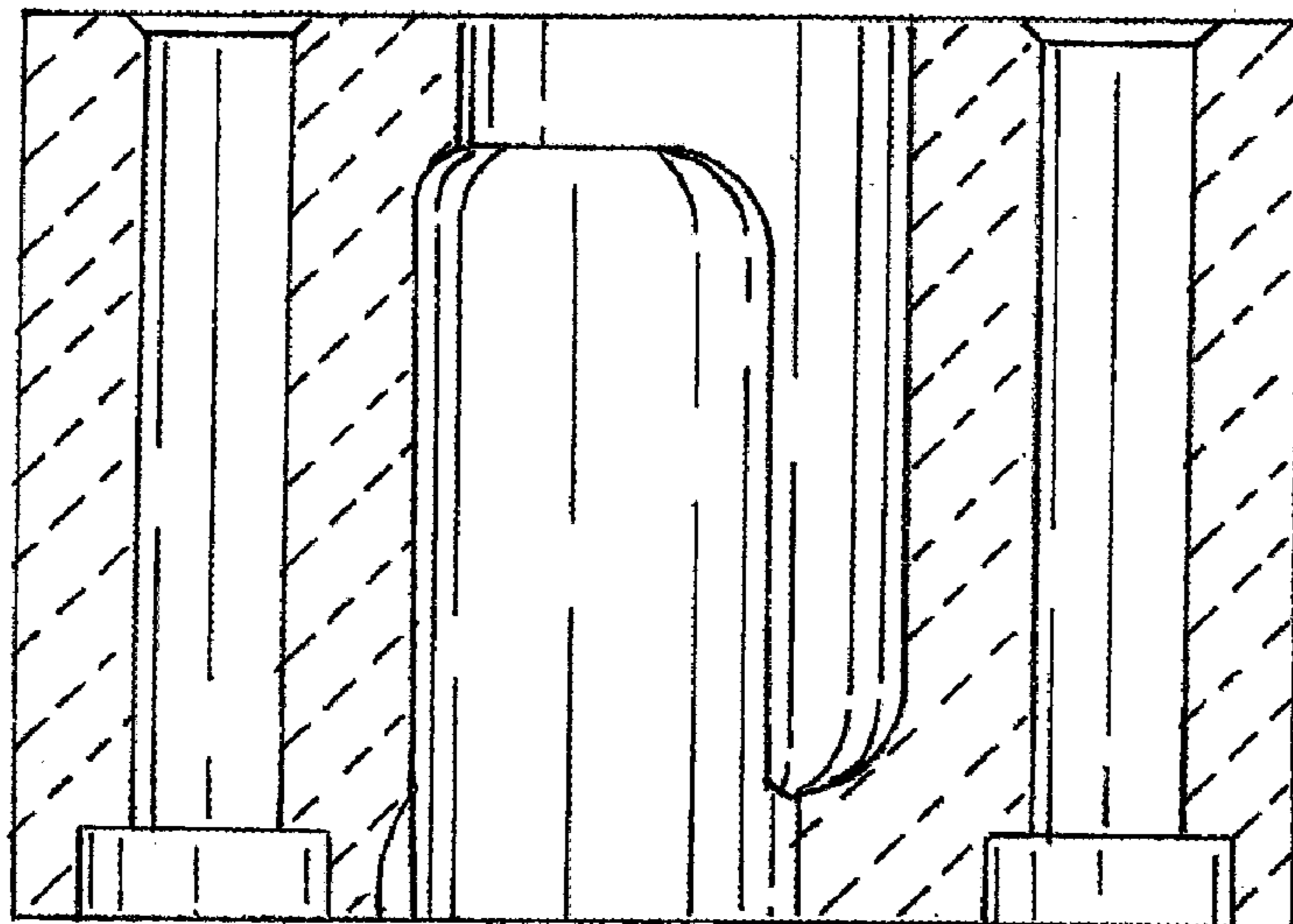


FIG. 11

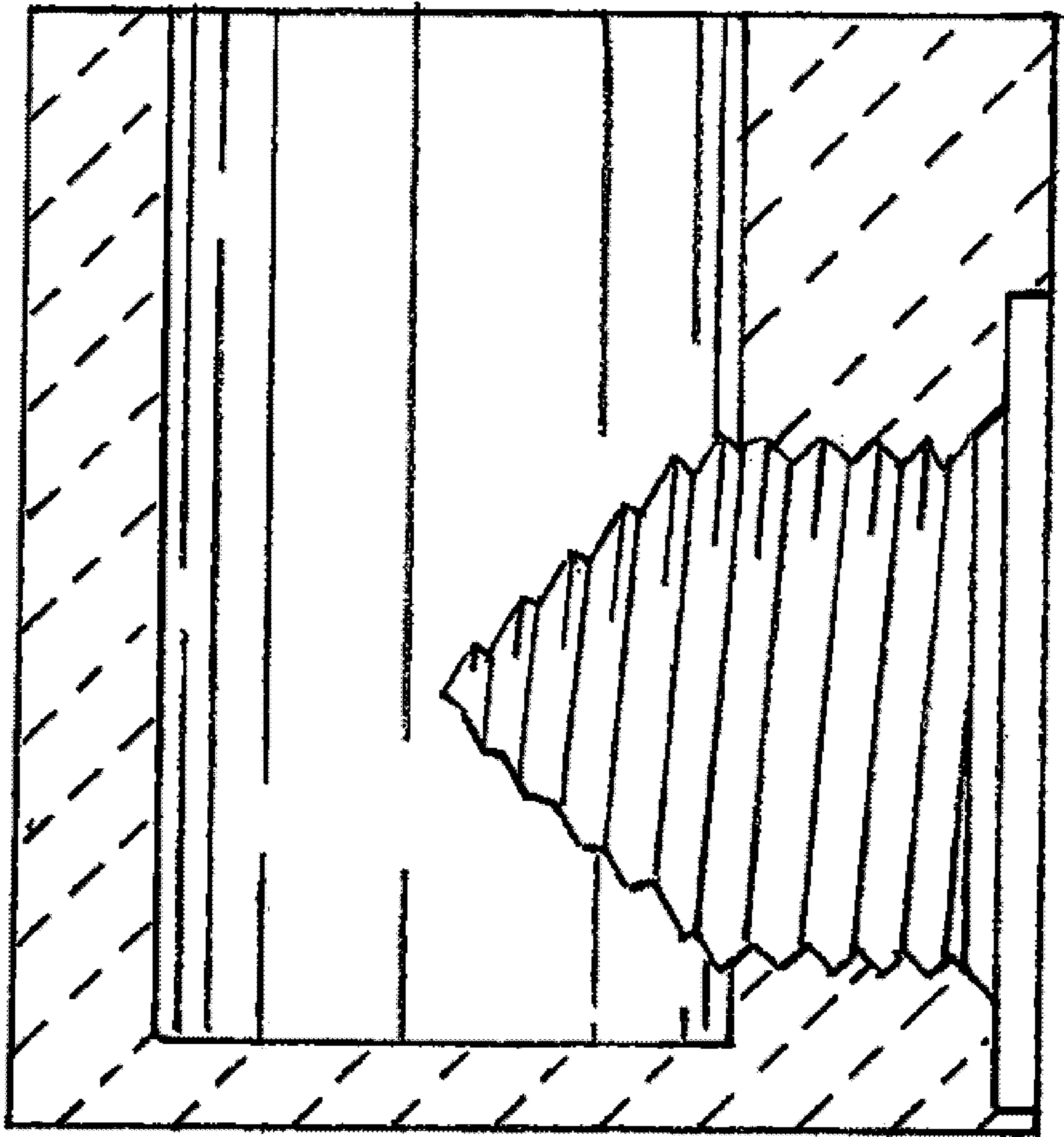


FIG. 12