



US00D645476S

(12) **United States Design Patent**  
**Kim et al.**

(10) **Patent No.:** **US D645,476 S**

(45) **Date of Patent:** **\*\* Sep. 20, 2011**

(54) **BLU-RAY DISC PLAYER**

(75) Inventors: **Yongsoo Kim**, Seoul (KR); **Yoonyoung Cho**, Seoul (KR); **Sungsoo Jun**, Seoul (KR)

(73) Assignee: **LG Electronics Inc.**, Seoul (KR)

(\*\*) Term: **14 Years**

(21) Appl. No.: **29/384,990**

(22) Filed: **Feb. 7, 2011**

(30) **Foreign Application Priority Data**

Aug. 9, 2010 (KR) ..... 30-2010-0034457

(51) **LOC (9) Cl.** ..... **14-01**

(52) **U.S. Cl.** ..... **D14/502**

(58) **Field of Classification Search** ..... D14/496,  
D14/498-511, 167-168, 188, 197-198, 157-158;  
360/99.02, 99.07; 369/75.11, 75.21, 77.11,  
369/77.21; 720/601, 612, 619, 649, 655;  
455/344, 347-351

See application file for complete search history.

(56) **References Cited**

U.S. PATENT DOCUMENTS

D505,927 S *	6/2005	Ma et al. ....	D14/505
D530,690 S *	10/2006	Takahashi .....	D14/502
D580,385 S *	11/2008	Tejima et al. ....	D14/500
D603,868 S *	11/2009	Cho et al. ....	D14/502

\* cited by examiner

*Primary Examiner* — Nanda Bondade

(74) *Attorney, Agent, or Firm* — Birch, Stewart, Kolasch & Birch, LLP

(57) **CLAIM**

The ornamental design for a blu-ray disc player, as shown and described.

**DESCRIPTION**

FIG. 1 is a perspective view of a blu-ray disc player showing our new design;

FIG. 2 is a front view thereof;

FIG. 3 is a rear view thereof;

FIG. 4 is a left side view thereof where the right side view is a mirror image;

FIG. 5 is a top plan view thereof; and,

FIG. 6 is a bottom plan view thereof.

**1 Claim, 6 Drawing Sheets**

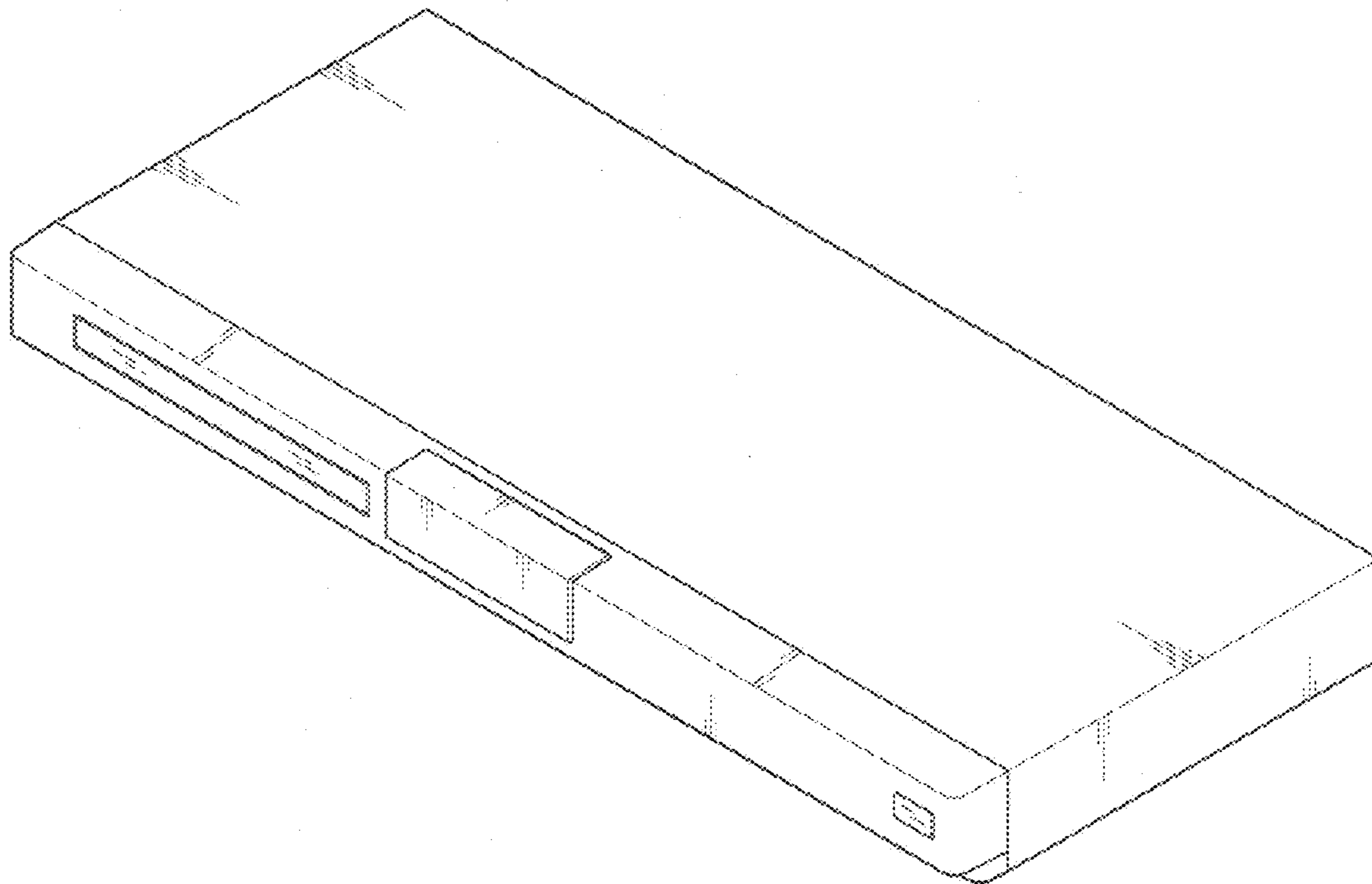


FIG. 1

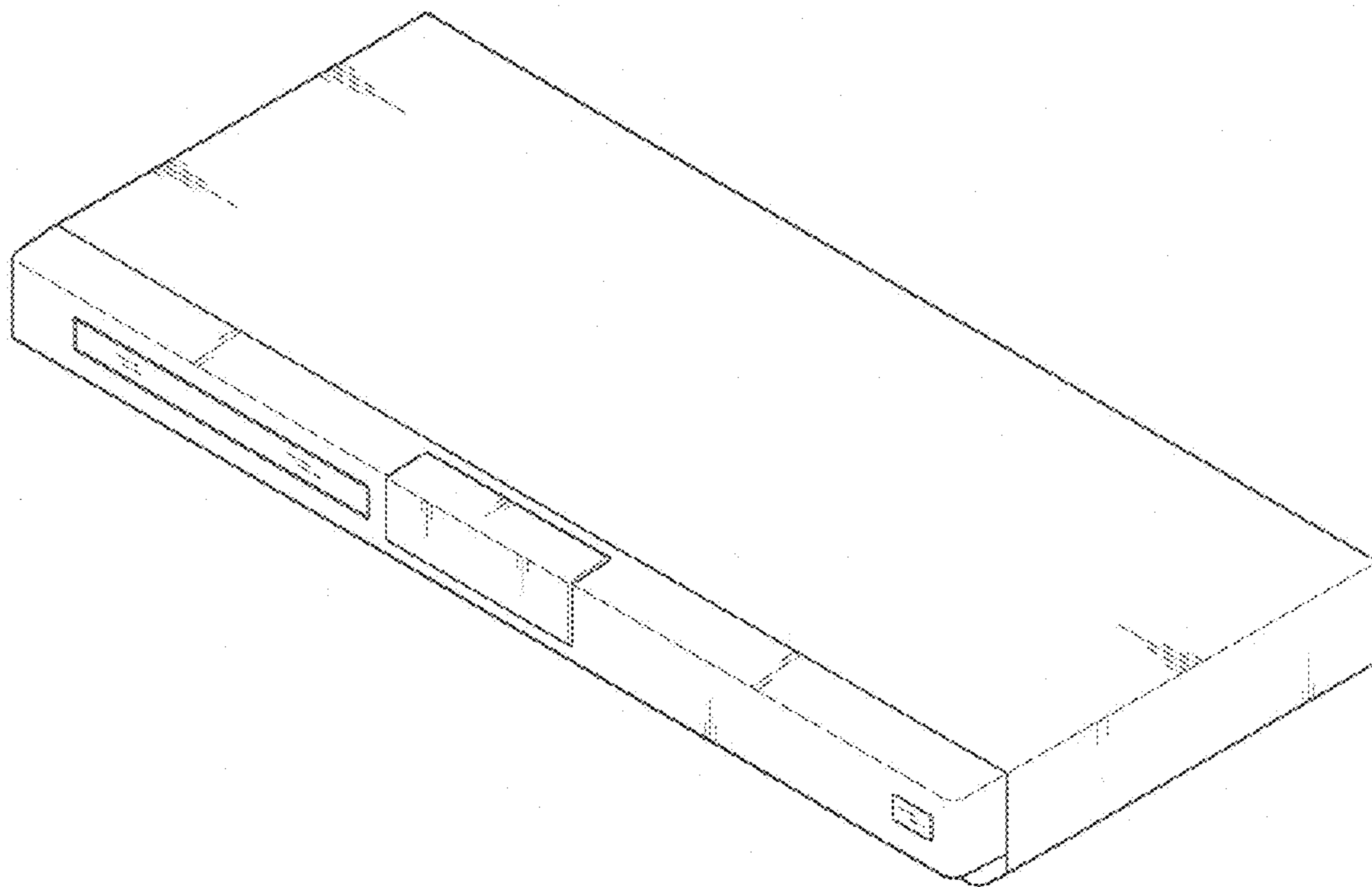


FIG. 2

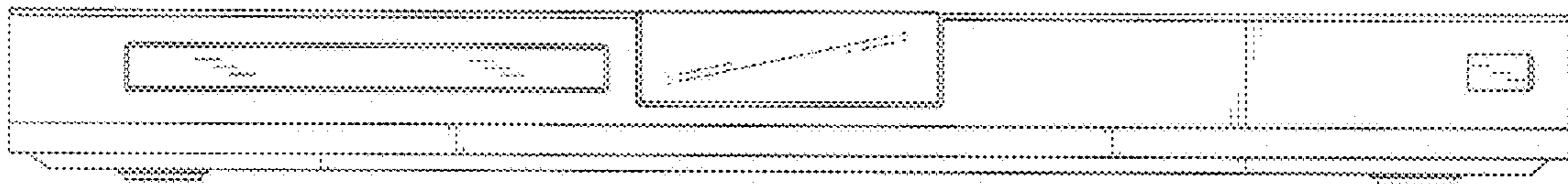


FIG. 3

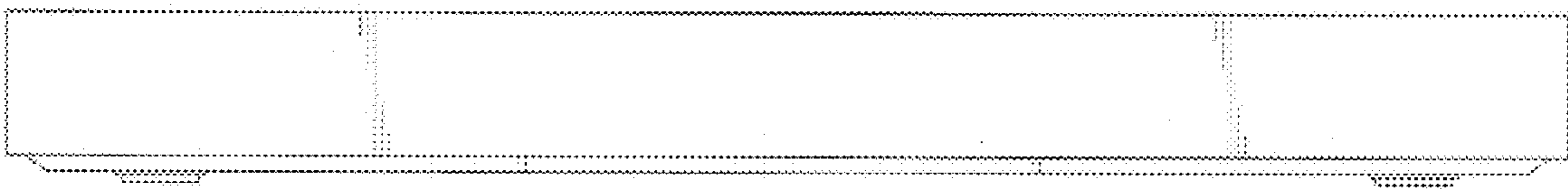


FIG. 4

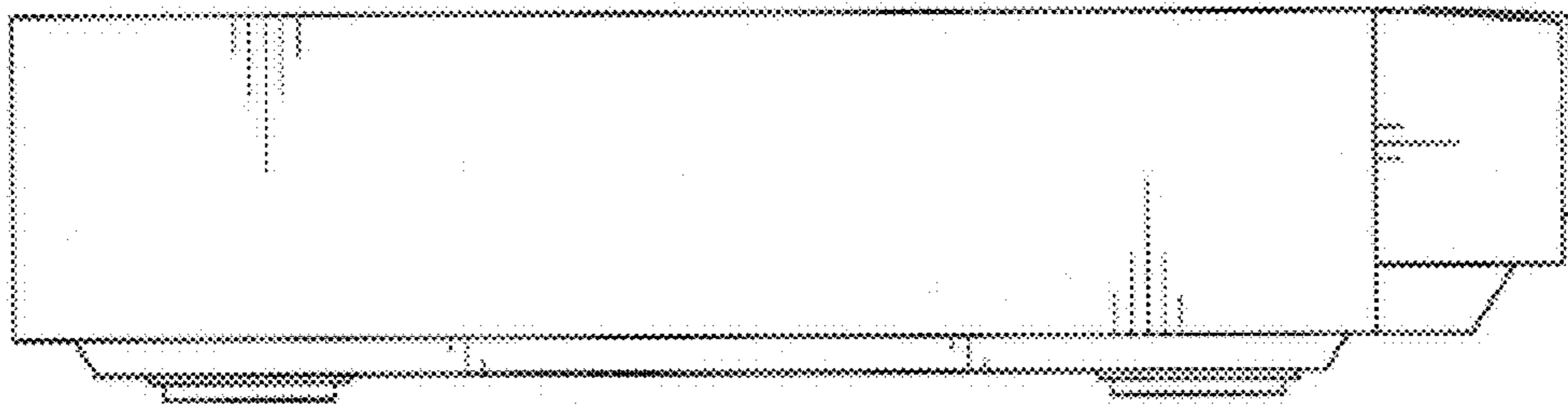


FIG. 5

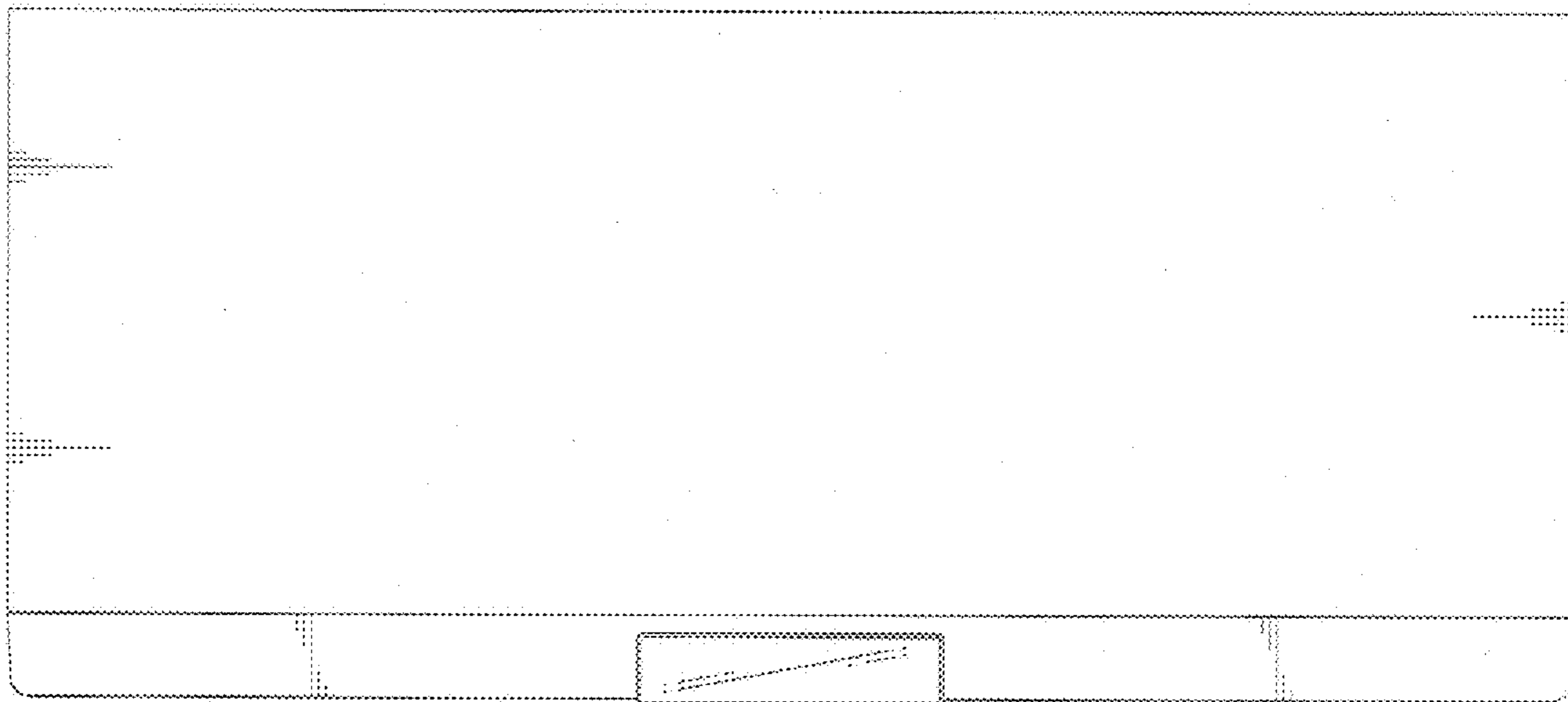


FIG. 6

