



US00D645475S

(12) **United States Design Patent**
Kim et al.

(10) **Patent No.:** **US D645,475 S**
(45) **Date of Patent:** **** Sep. 20, 2011**

(54) **BLU-RAY DISC PLAYER**

(75) Inventors: **Yongsoo Kim**, Seoul (KR); **Yoonyoung Cho**, Seoul (KR); **Sungsoo Jun**, Seoul (KR)

(73) Assignee: **LG Electronics Inc.**, Seoul (KR)

(**) Term: **14 Years**

(21) Appl. No.: **29/384,982**

(22) Filed: **Feb. 7, 2011**

(30) **Foreign Application Priority Data**

Aug. 9, 2010 (KR) 30-2010-0034458

(51) **LOC (9) Cl.** **14-01**

(52) **U.S. Cl.** **D14/502**

(58) **Field of Classification Search** D14/496,
D14/498-511, 167-168, 188, 197-198, 157-158;
360/99.02, 99.07; 369/75.11, 75.21, 77.11,
369/77.21; 720/601, 612, 619, 649, 655;
455/344, 347-351

See application file for complete search history.

(56) **References Cited**

U.S. PATENT DOCUMENTS

D505,927 S * 6/2005 Ma et al. D14/505
D530,690 S * 10/2006 Takahashi D14/502
D580,385 S * 11/2008 Tejima et al. D14/500
D603,868 S * 11/2009 Cho et al. D14/502

* cited by examiner

Primary Examiner — Nanda Bondade

(74) *Attorney, Agent, or Firm* — Birch, Stewart, Kolasch & Birch, LLP

(57) **CLAIM**

The ornamental design for a blu-ray disc player, as shown and described.

DESCRIPTION

FIG. 1 is a perspective view of a blu-ray disc player showing our new design;

FIG. 2 is a front view thereof;

FIG. 3 is a rear view thereof;

FIG. 4 is a left side view thereof where the right side view is a mirror image;

FIG. 5 is a top plan view thereof; and,

FIG. 6 is a bottom plan view thereof.

1 Claim, 6 Drawing Sheets

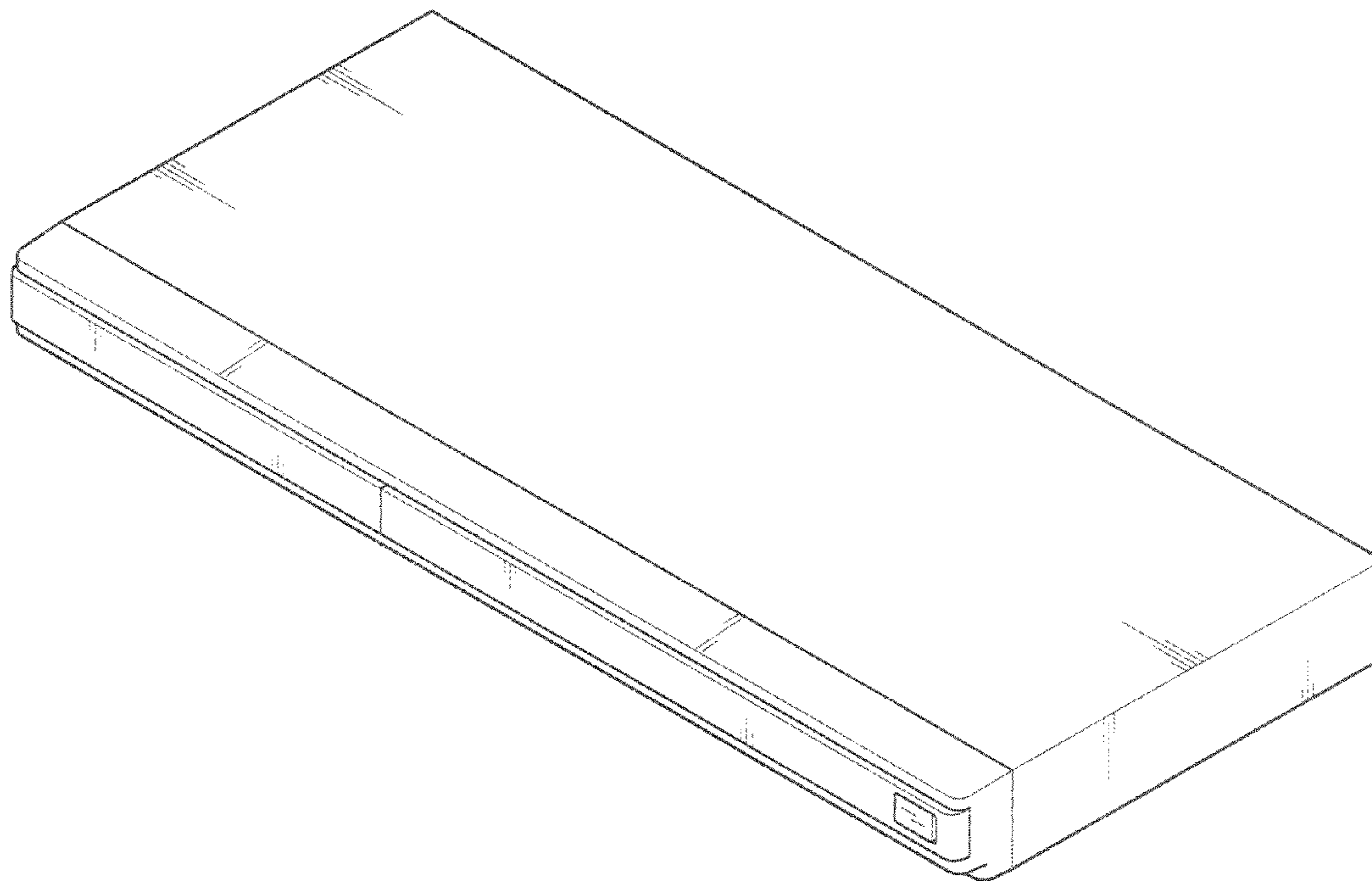


FIG. 1

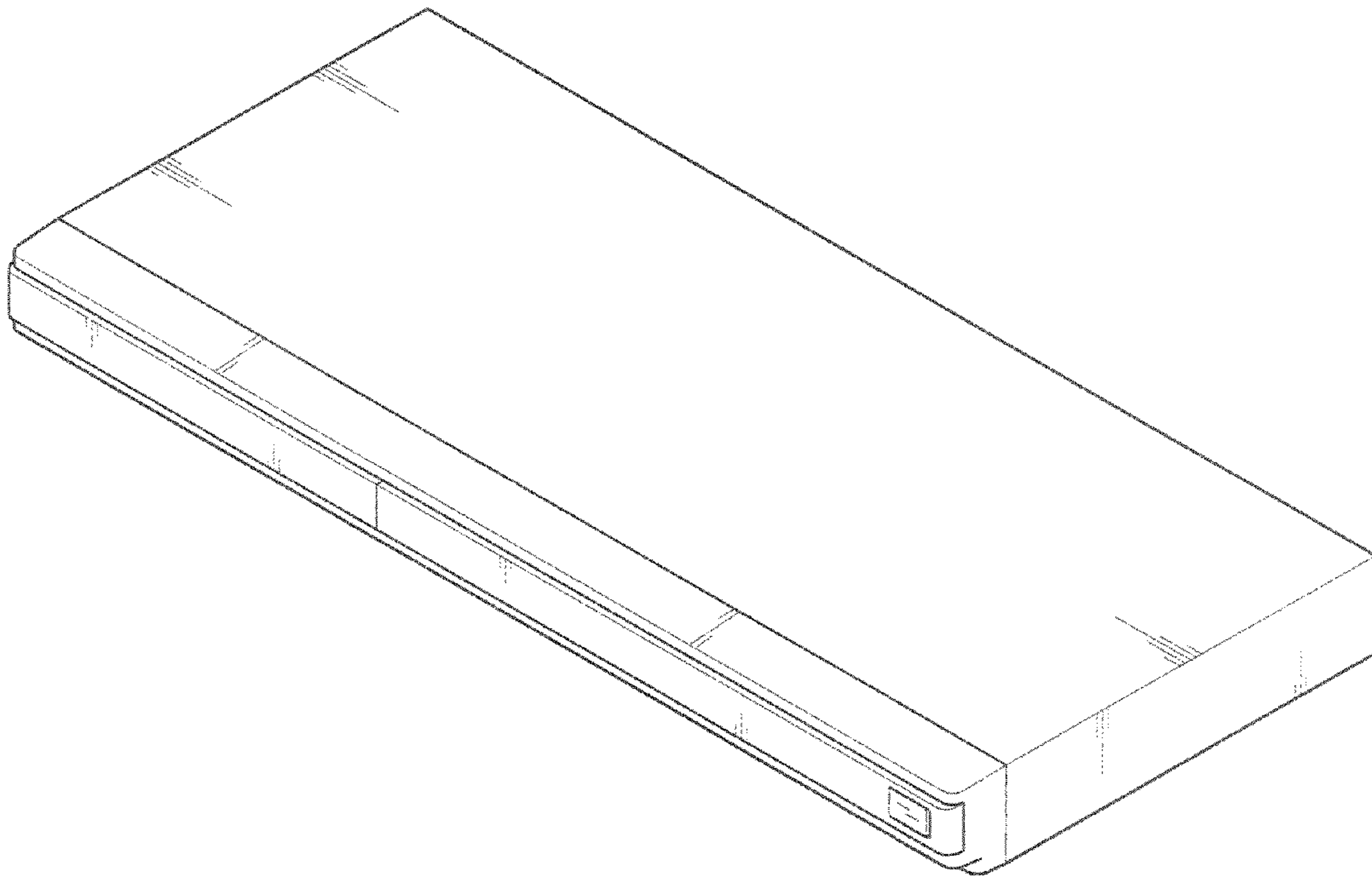


FIG. 2



FIG. 3

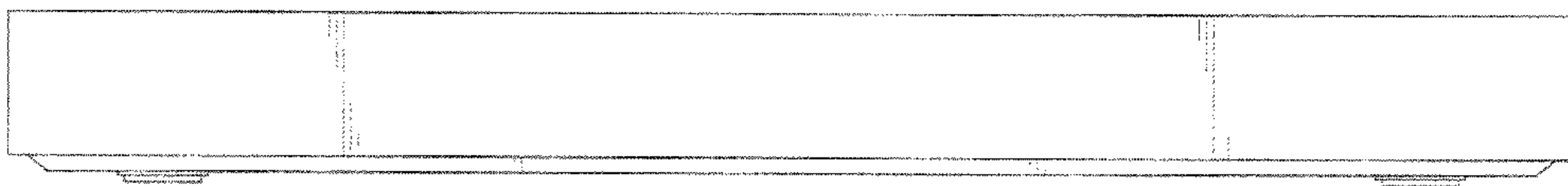


FIG. 4

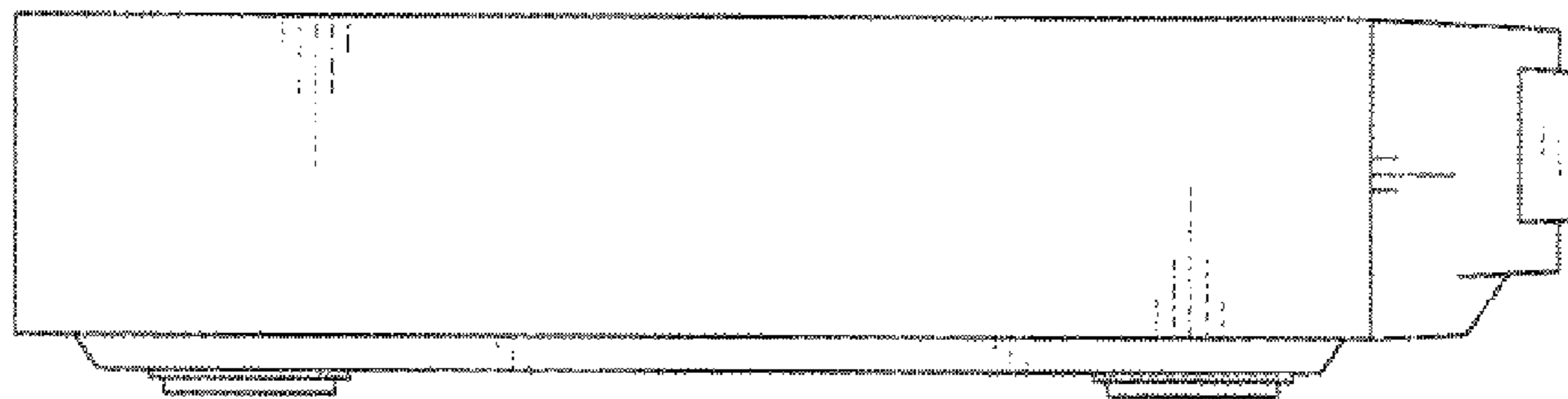


FIG. 5

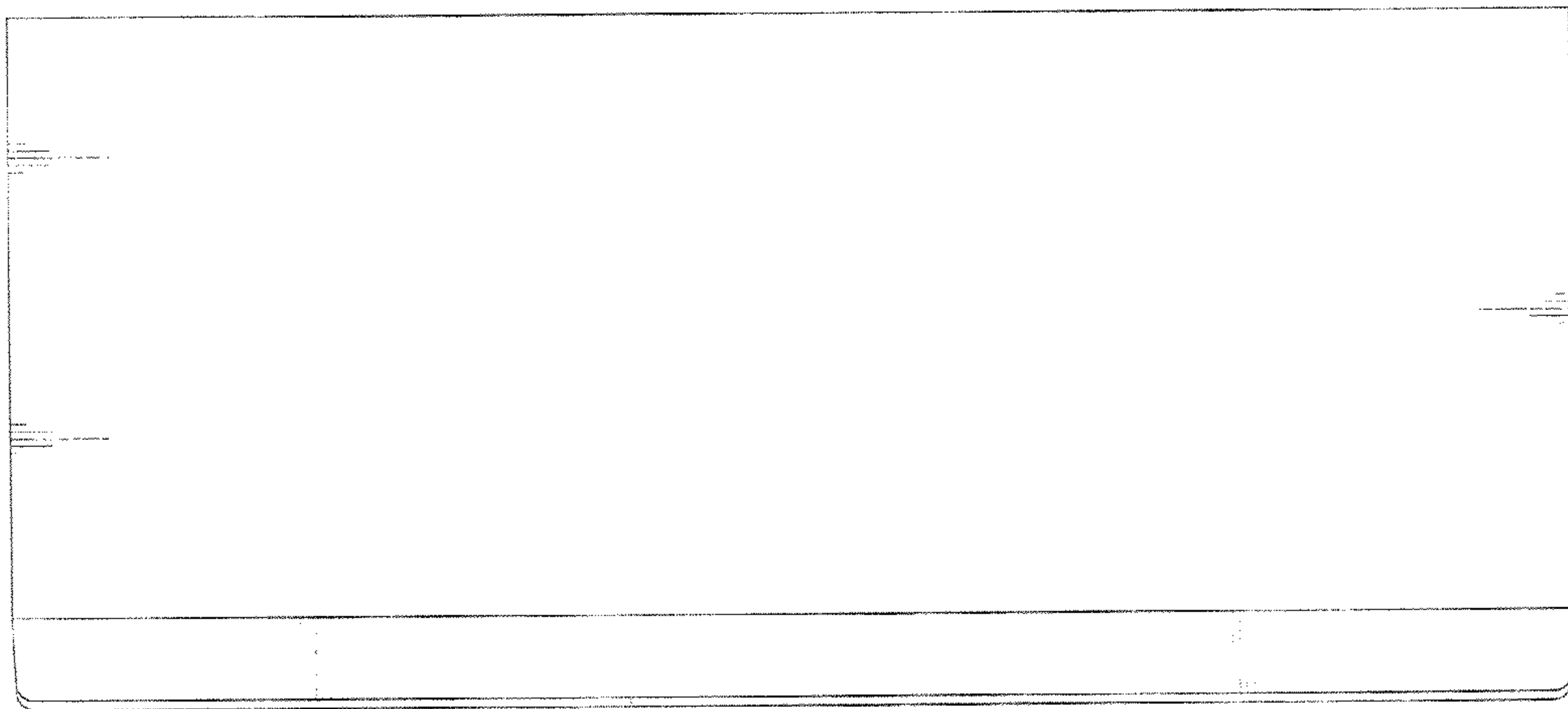


FIG. 6

