



US00D645468S

(12) **United States Design Patent**
Skulina et al.

(10) **Patent No.:** **US D645,468 S**

(45) **Date of Patent:** **** Sep. 20, 2011**

(54) **USER INTERFACE DEVICE**

(75) Inventors: **David John Skulina**, Edinburgh (GB);
Benjaman Warren Schögler, Edinburgh
(GB)

(73) Assignee: **The University Court of the University
of Edinburgh**, Edinburgh (GB)

(**) Term: **14 Years**

(21) Appl. No.: **29/347,477**

(22) Filed: **Feb. 3, 2010**

(51) **LOC (9) Cl.** **14-02**

(52) **U.S. Cl.** **D14/388**; D21/324; D17/99

(58) **Field of Classification Search** D14/388,
D14/389, 411, 432, 454, 455, 217, 218, 238.1,
D14/299; D21/324, 398, 405, 468, 499,
D21/698, 707, 811, 812; D19/60, 62, 59;
D17/22, 24, 99; 345/167, 157, 173; 84/722;
73/862.043, 862.041, 862.05

See application file for complete search history.

(56) **References Cited**

U.S. PATENT DOCUMENTS

D103,876 S *	3/1937	Pickin	D21/386
2,362,064 A *	11/1944	Giesinger	473/595
D251,993 S *	5/1979	Birdsall	D21/405
D268,601 S *	4/1983	Lee	D21/324
D268,602 S *	4/1983	Lee	D21/324
D317,805 S *	6/1991	Swan	D21/707
5,028,053 A *	7/1991	Leopold	473/473
D352,322 S *	11/1994	Mullaney et al.	D21/707
D354,993 S *	1/1995	Morrison et al.	D21/324
D358,858 S *	5/1995	McGreevy	D21/707
D372,249 S *	7/1996	Pinchuk	D14/299
D378,225 S *	2/1997	Wong	D21/324
5,729,249 A *	3/1998	Yasutake	345/173
6,191,775 B1 *	2/2001	Suzuki	345/167
D439,603 S *	3/2001	Laird	D17/99
D446,826 S *	8/2001	Dunn et al.	D21/398
D464,682 S *	10/2002	Lin	D21/499
D477,371 S *	7/2003	Niu	D21/405
D480,437 S *	10/2003	Stoneberg	D21/499

D490,483 S *	5/2004	Auberger	D21/499
D495,756 S *	9/2004	Carley et al.	D21/405
D520,569 S *	5/2006	Lin	D21/324
D521,512 S *	5/2006	Kunzi et al.	D14/388
D543,212 S *	5/2007	Marks	D14/454
D557,346 S *	12/2007	Hall et al.	D21/324
D590,442 S *	4/2009	Jones	D19/59
D610,191 S *	2/2010	Lambert et al.	D17/99
D614,248 S *	4/2010	Pedersen	D21/499
D614,249 S *	4/2010	Pedersen	D21/499

(Continued)

Primary Examiner — Cathron Brooks

Assistant Examiner — Deanna Fluegeman

(74) *Attorney, Agent, or Firm* — Nixon & Vanderhye PC

(57) **CLAIM**

The ornamental design for a “user interface device,” as shown and described.

DESCRIPTION

FIG. 1 is a perspective view of a user interface device from above at any of the four upper corners, showing our new design;

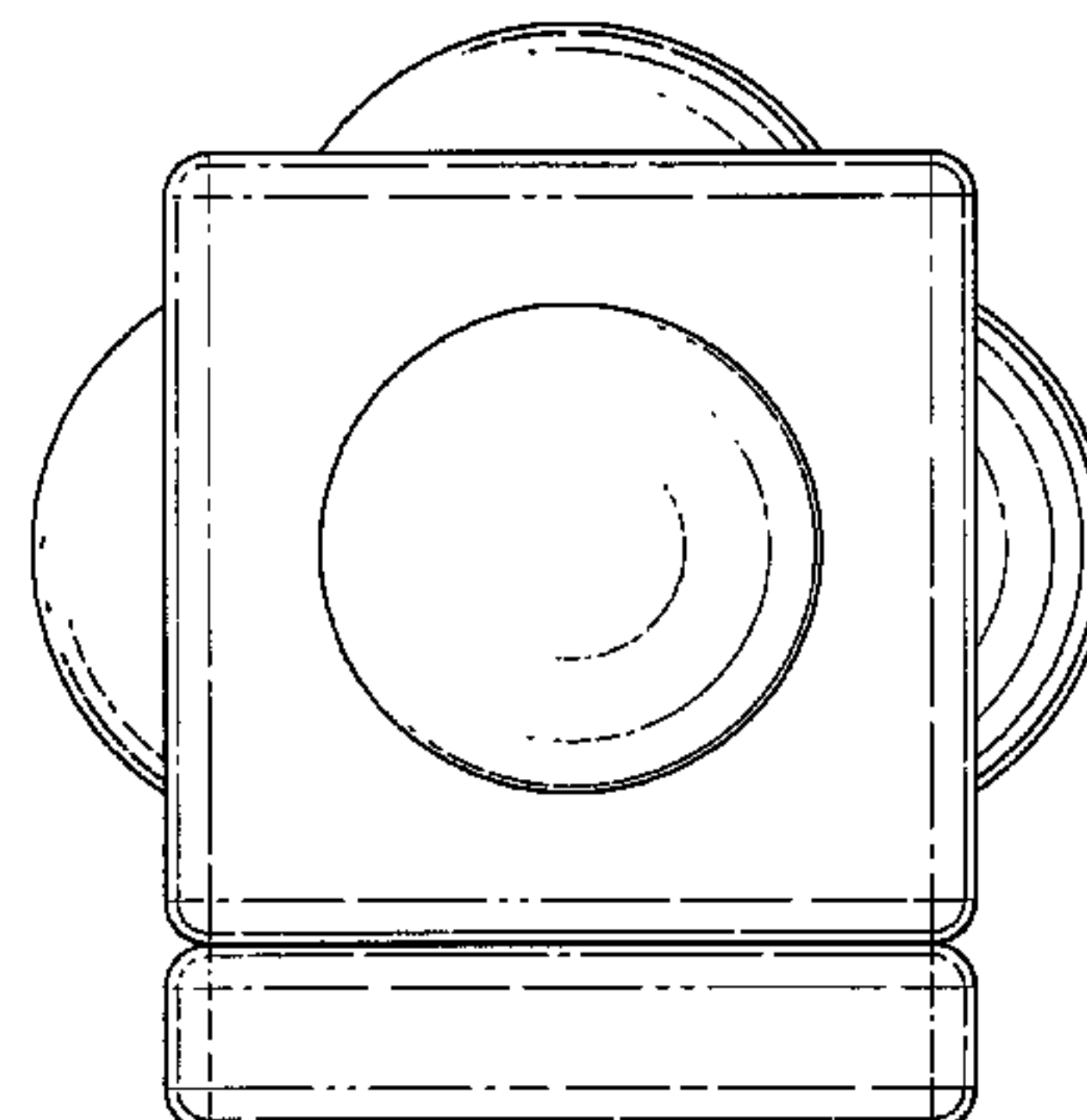
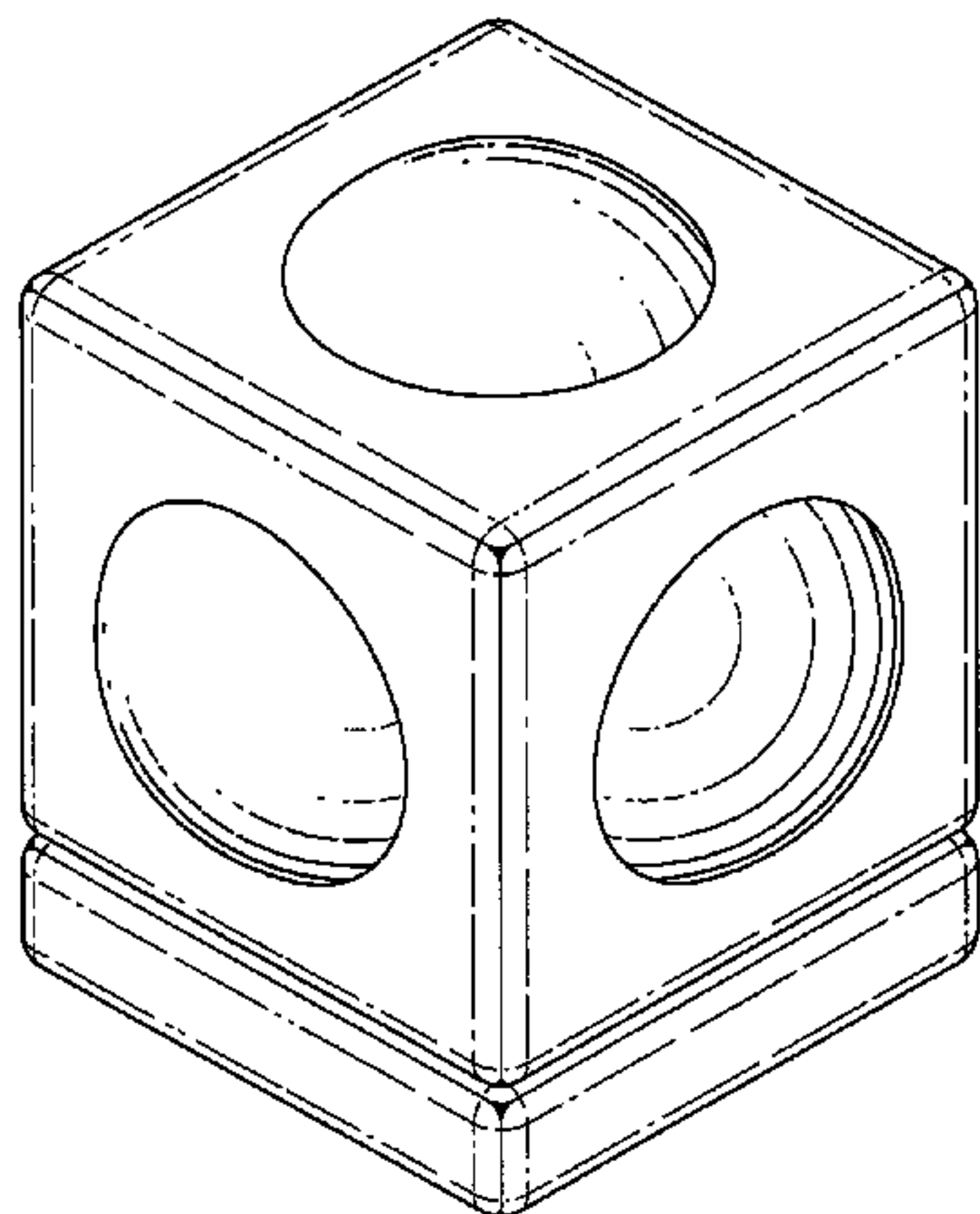
FIG. 2 is a side view thereof, from any of the four sides thereof;

FIG. 3 is a top and plan view thereof; and,

FIG. 4 is a perspective view thereof from below at any of the four lower corners.

In an example embodiment, the user interface device is for use with sound generating software running on a computer, such that different musical notes and sounds may be generated by compressing the device in different directions. Accordingly, when used in conjunction with a computer running suitable software, the device may also be regarded as a musical instrument. The device is for use in schools and hospitals, particularly suitable for use by younger children or as a learning or therapy aid for persons with physical or learning difficulties. Further information relating to the device may be found at the website www.skooqmusic.com. Videos of the device in use may be found at <http://www.youtube.com/user/skooqmusic#p/u>.

1 Claim, 4 Drawing Sheets



US D645,468 S

Page 2

U.S. PATENT DOCUMENTS

D619,120 S *	7/2010	Nikiforov et al.	D14/218	D629,056 S *	12/2010	Grimm	D21/707
D619,663 S *	7/2010	Quinn	D21/713	D631,048 S *	1/2011	Adriano et al.	D14/399
D620,042 S *	7/2010	Lambert et al.	D17/99	2008/0028920 A1*	2/2008	Sullivan	84/722
D620,043 S *	7/2010	Lambert et al.	D17/99				

* cited by examiner

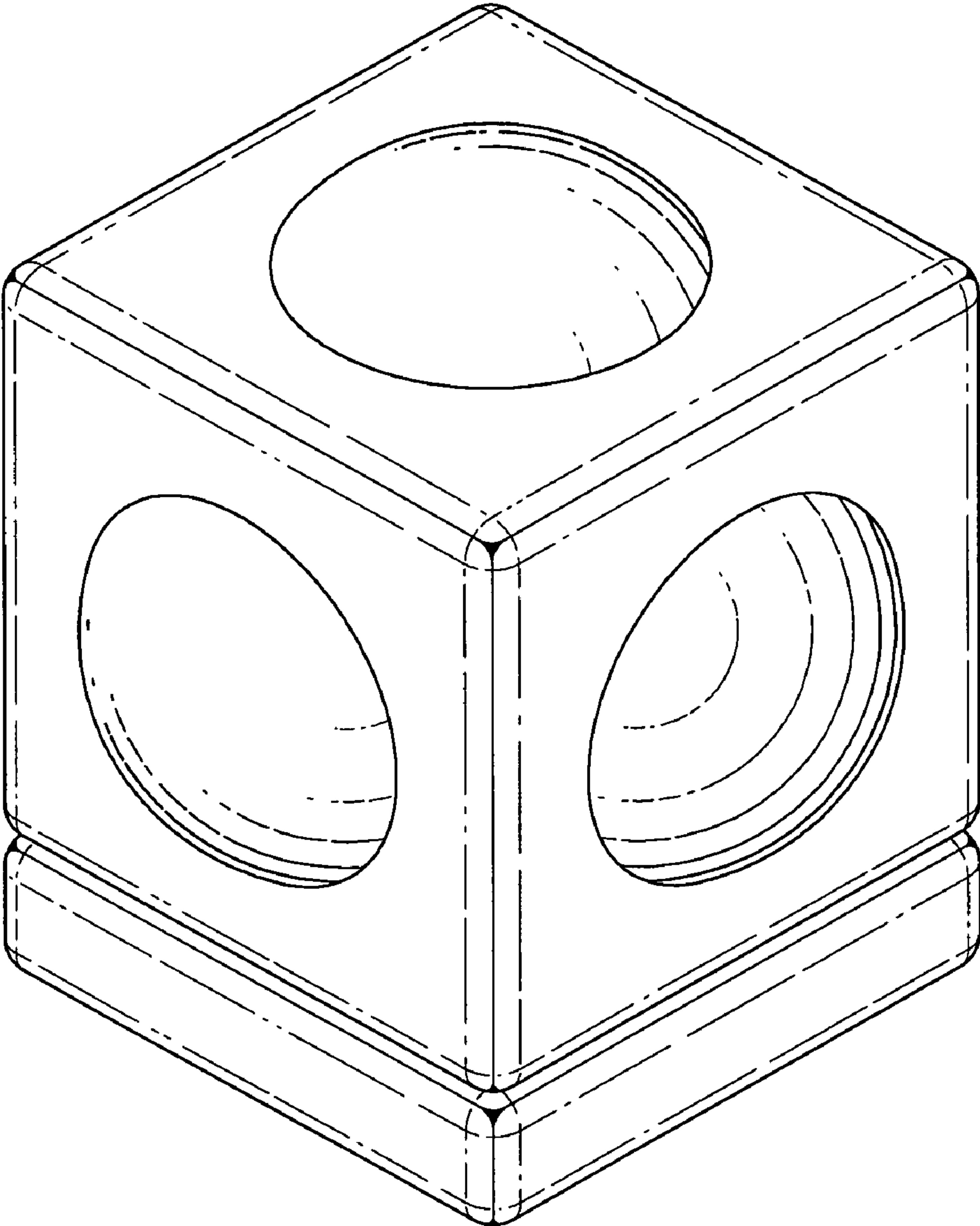


FIG. 1

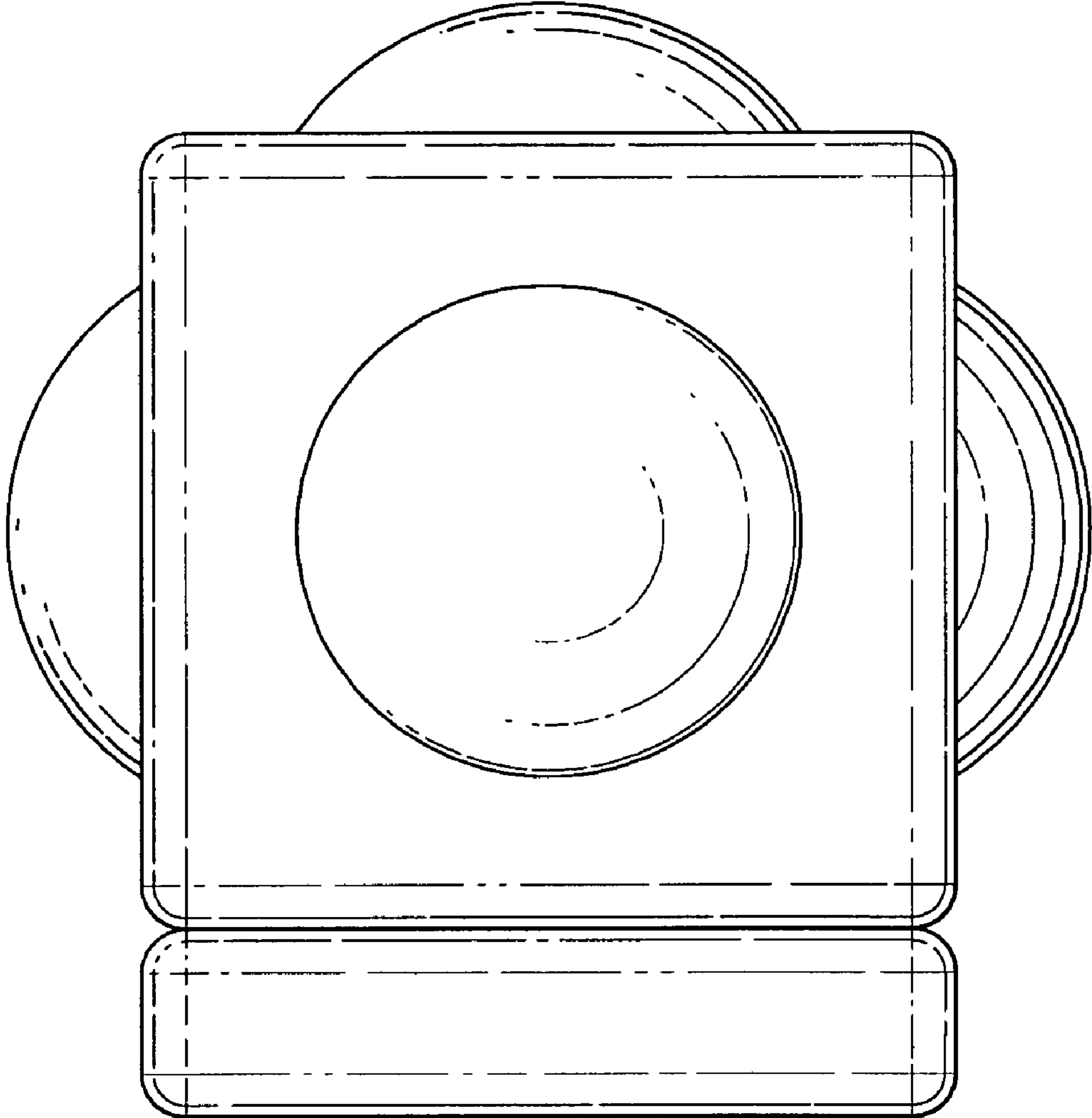


FIG. 2

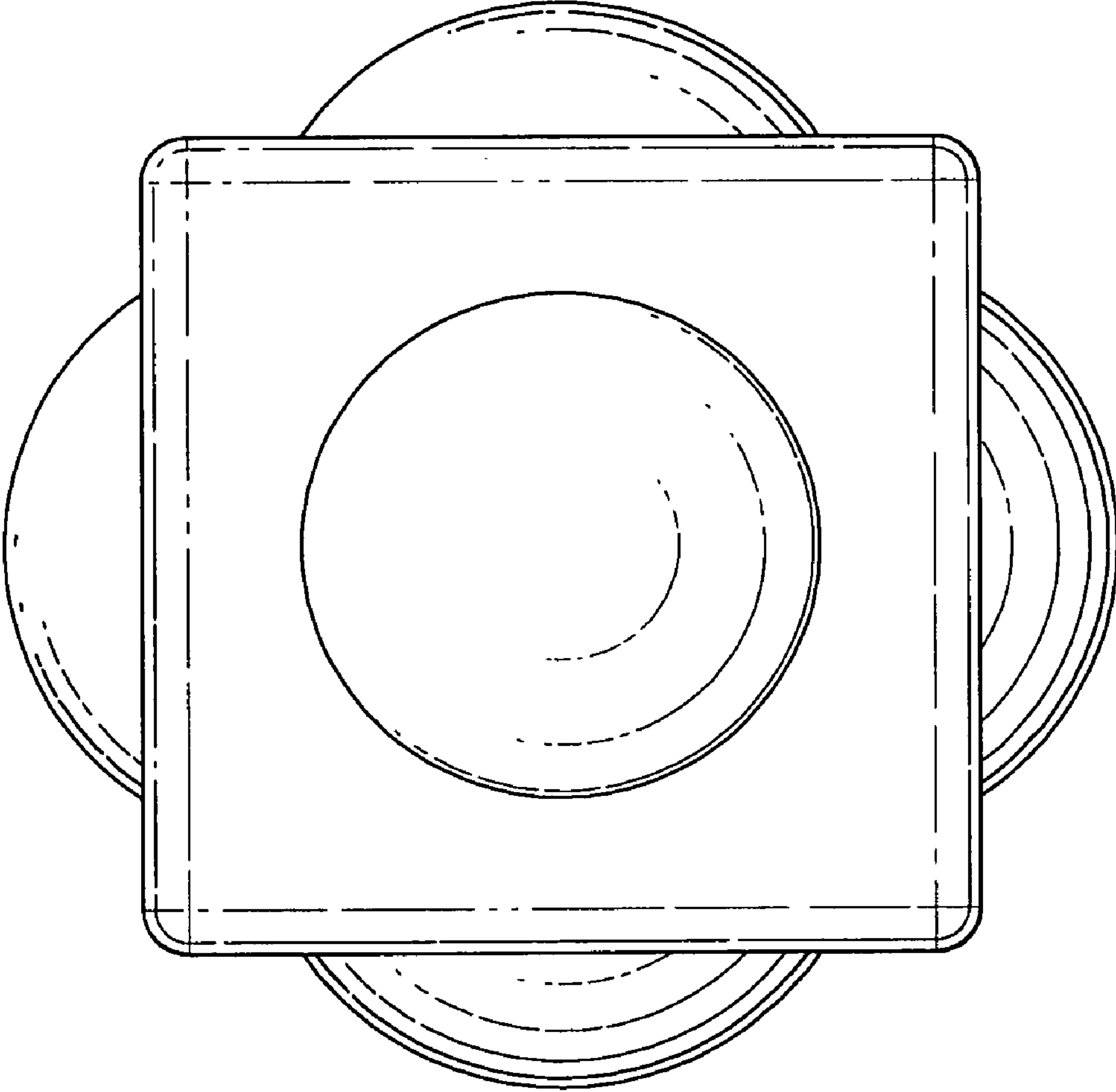


FIG. 3

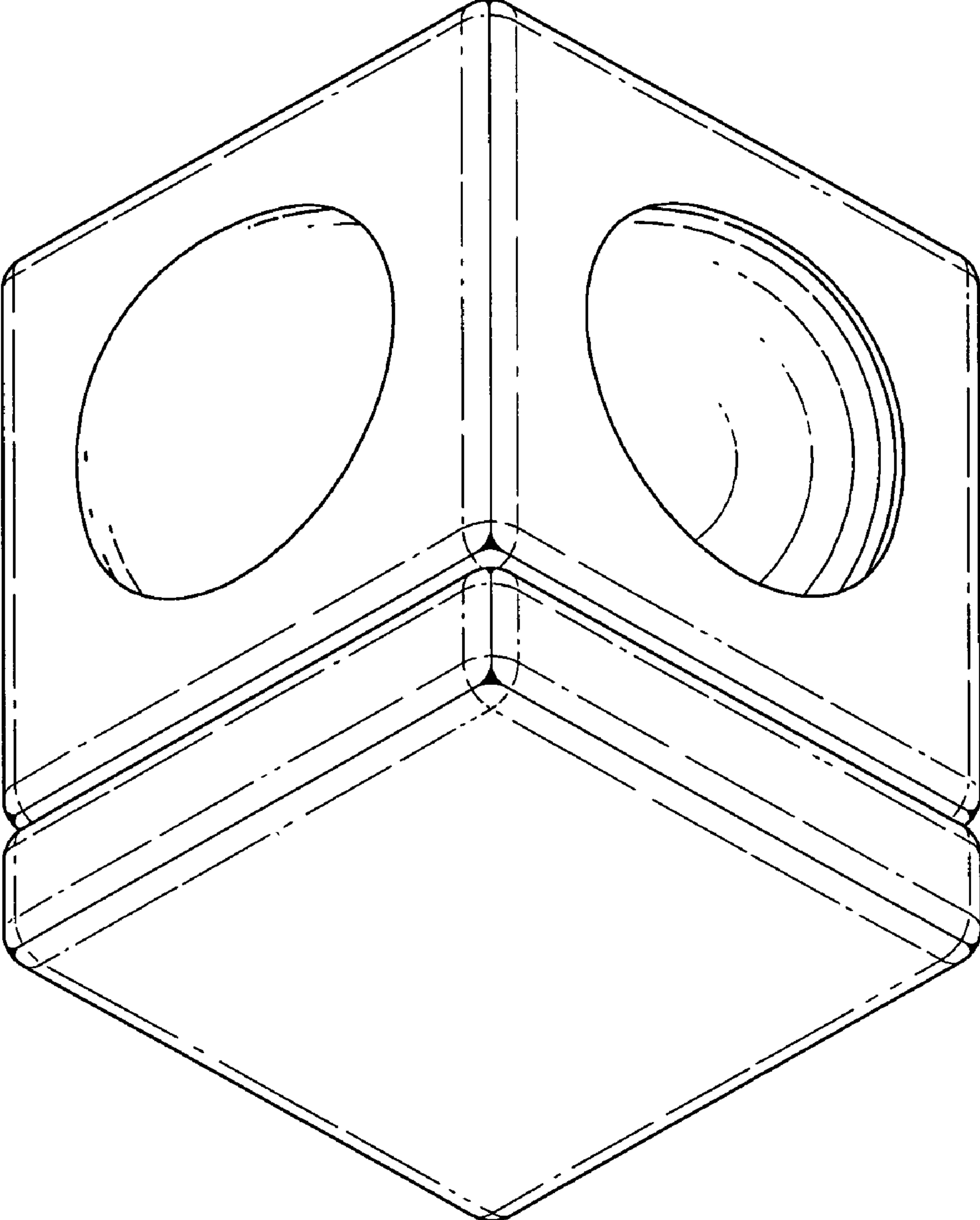


FIG. 4