



US00D645467S

(12) **United States Design Patent**
Mitsubishi

(10) **Patent No.:** **US D645,467 S**

(45) **Date of Patent:** **** Sep. 20, 2011**

(54) **DISPLAY**

(75) **Inventor:** **Renichi Mitsubishi**, Tokyo (JP)

(73) **Assignee:** **NEC Display Solutions, Ltd.**, Tokyo (JP)

(**) **Term:** **14 Years**

(21) **Appl. No.:** **29/355,164**

(22) **Filed:** **Feb. 3, 2010**

(30) **Foreign Application Priority Data**

Aug. 6, 2009 (JP) 2009-18073

(51) **LOC (9) Cl.** **14-02**

(52) **U.S. Cl.** **D14/374**

(58) **Field of Classification Search** D14/371-376,
D14/125-129, 336, 337, 306; D6/308, 311;
345/104, 156, 173, 174, 901-905; 348/180,
348/184, 325, 739; 361/679.08, 679.23;
349/1, 2, 11, 58; 248/917-924, 371; 341/12

See application file for complete search history.

(56) **References Cited**

U.S. PATENT DOCUMENTS

4,110,792 A * 8/1978 Long et al. 348/383
5,128,662 A * 7/1992 Failla 345/1.3
D340,229 S * 10/1993 Drabczyk et al. D14/306
D353,805 S * 12/1994 Lewis D14/127
D440,543 S * 4/2001 Kodimer D14/127

6,343,006 B1 * 1/2002 Moscovitch et al. 361/679.04
D581,380 S * 11/2008 Derocher et al. D14/127
D600,233 S * 9/2009 Birsal et al. D14/203.3
2003/0071832 A1 * 4/2003 Branson 345/698
2005/0088463 A1 * 4/2005 Schilling 345/699
2006/0044215 A1 * 3/2006 Brody et al. 345/1.3

* cited by examiner

Primary Examiner — Freda Nunn

(74) *Attorney, Agent, or Firm* — Sughrue Mion, PLLC

(57) **CLAIM**

The ornamental design for a display, as shown and described.

DESCRIPTION

FIG. 1 is a front, left side, top perspective view of a display showing my new design;

FIG. 2 is a front elevational view thereof;

FIG. 3 is a rear elevational view thereof;

FIG. 4 is a left side view thereof;

FIG. 5 is a right side view thereof;

FIG. 6 is a top plan view thereof;

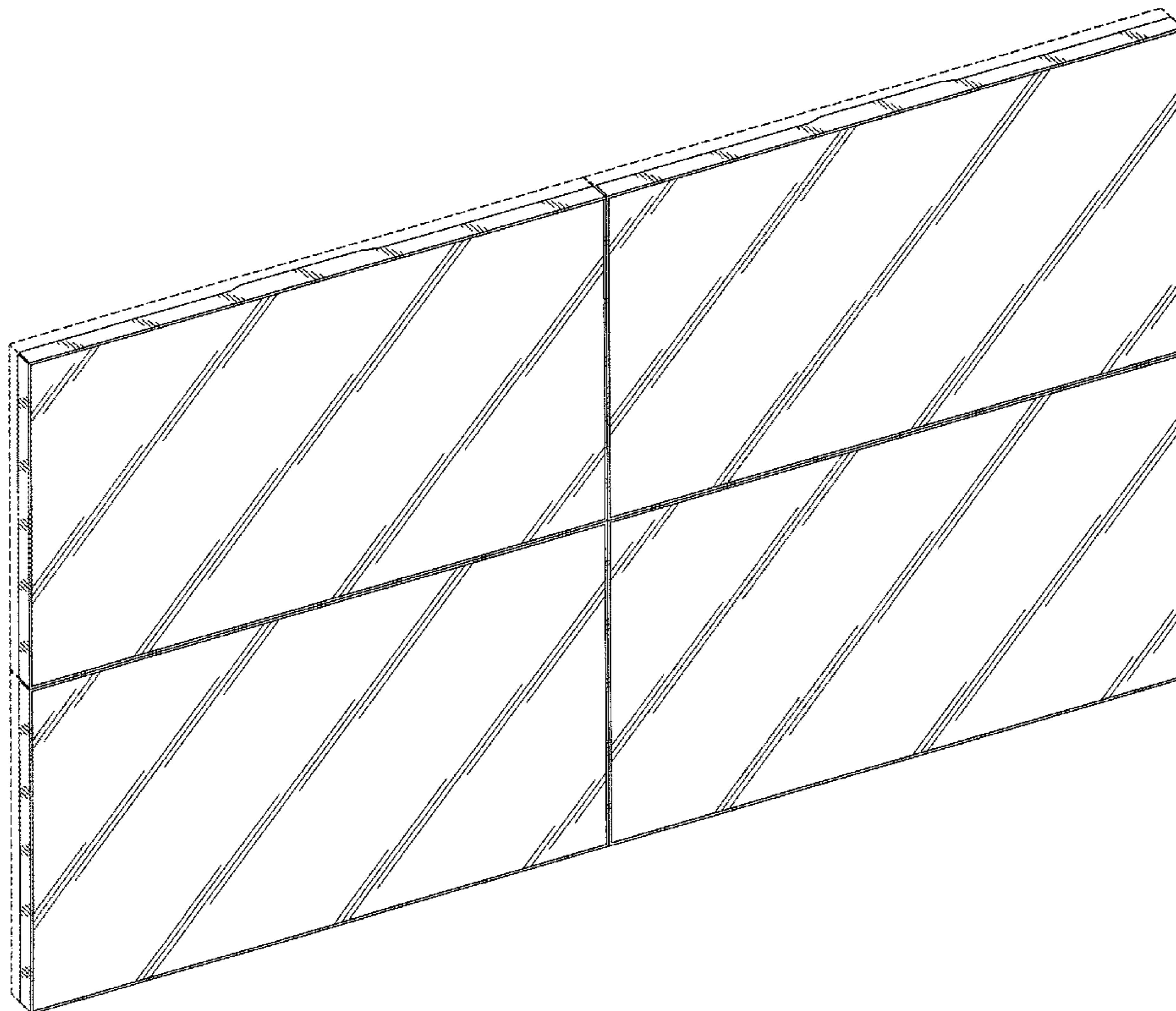
FIG. 7 is a bottom plan view thereof;

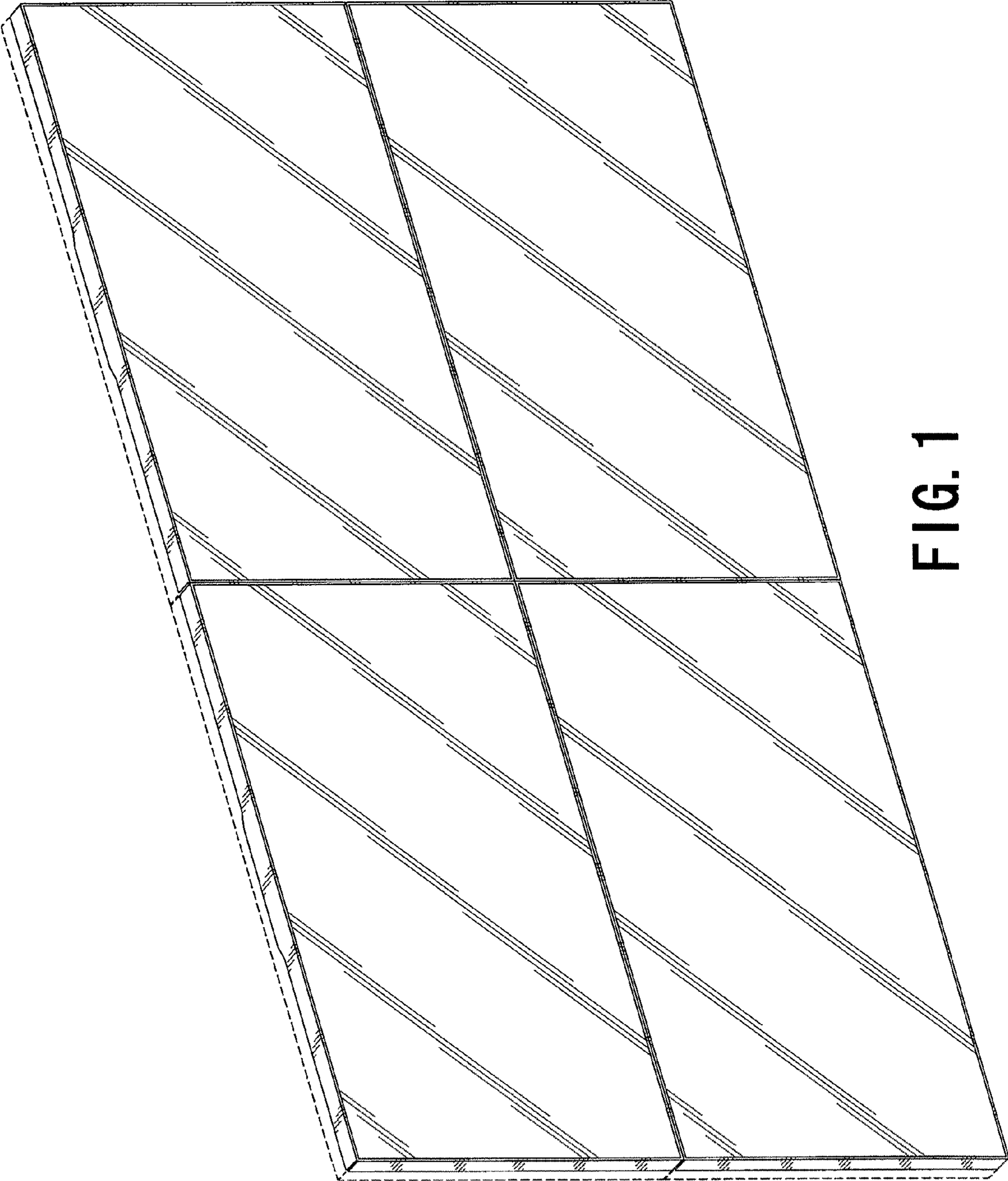
FIG. 8 is a partial enlarged perspective view of the upper left corner of FIG. 1; and,

FIG. 9 is a front elevational view thereof showing a state in which the article is connected with other displays.

The portions of the display shown in broken lines in FIGS. 1-8 and the additional displays shown in broken lines in FIG. 9 are shown for environmental purposes only and form no part of the claimed design.

1 Claim, 8 Drawing Sheets





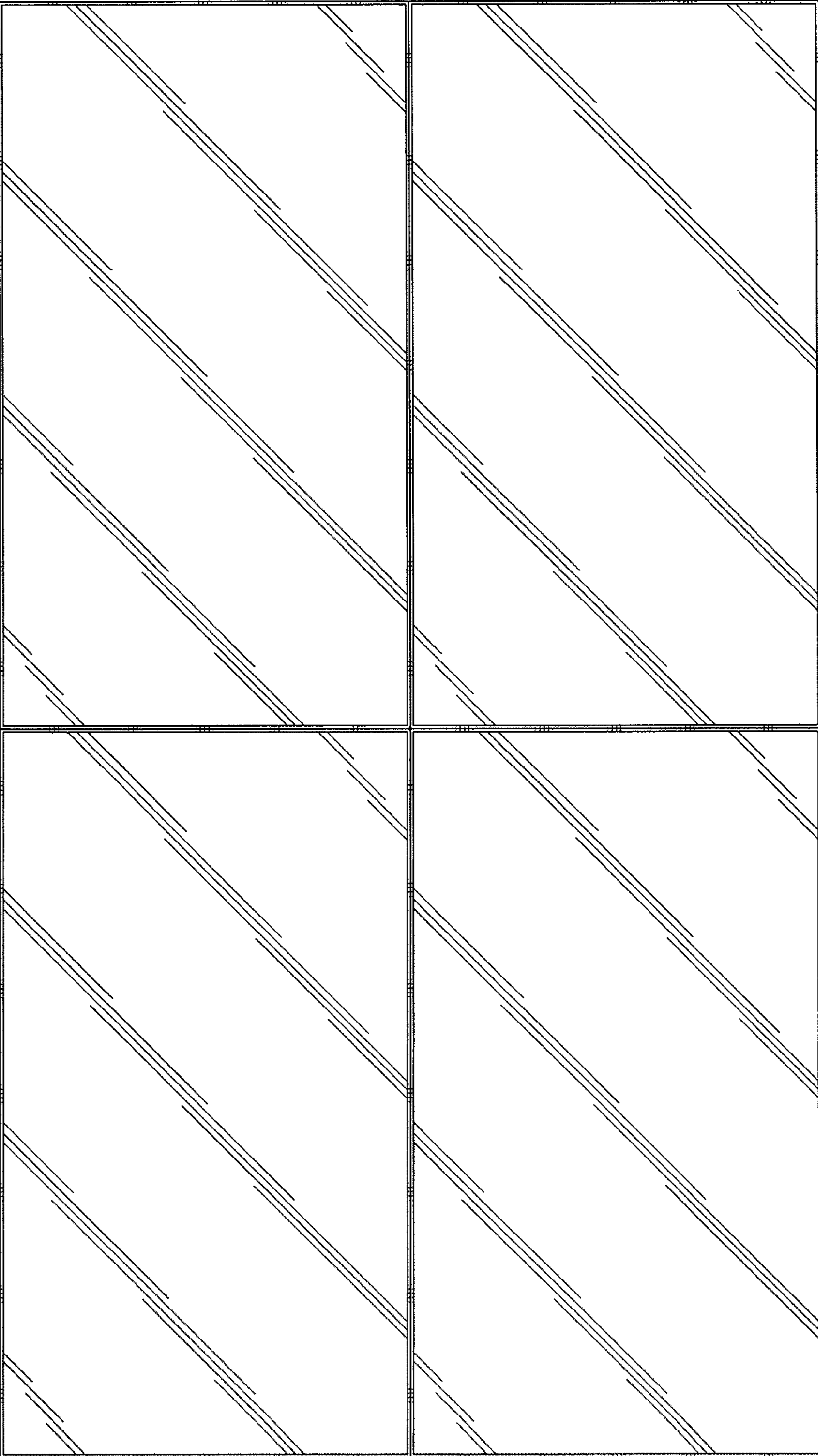


FIG. 2

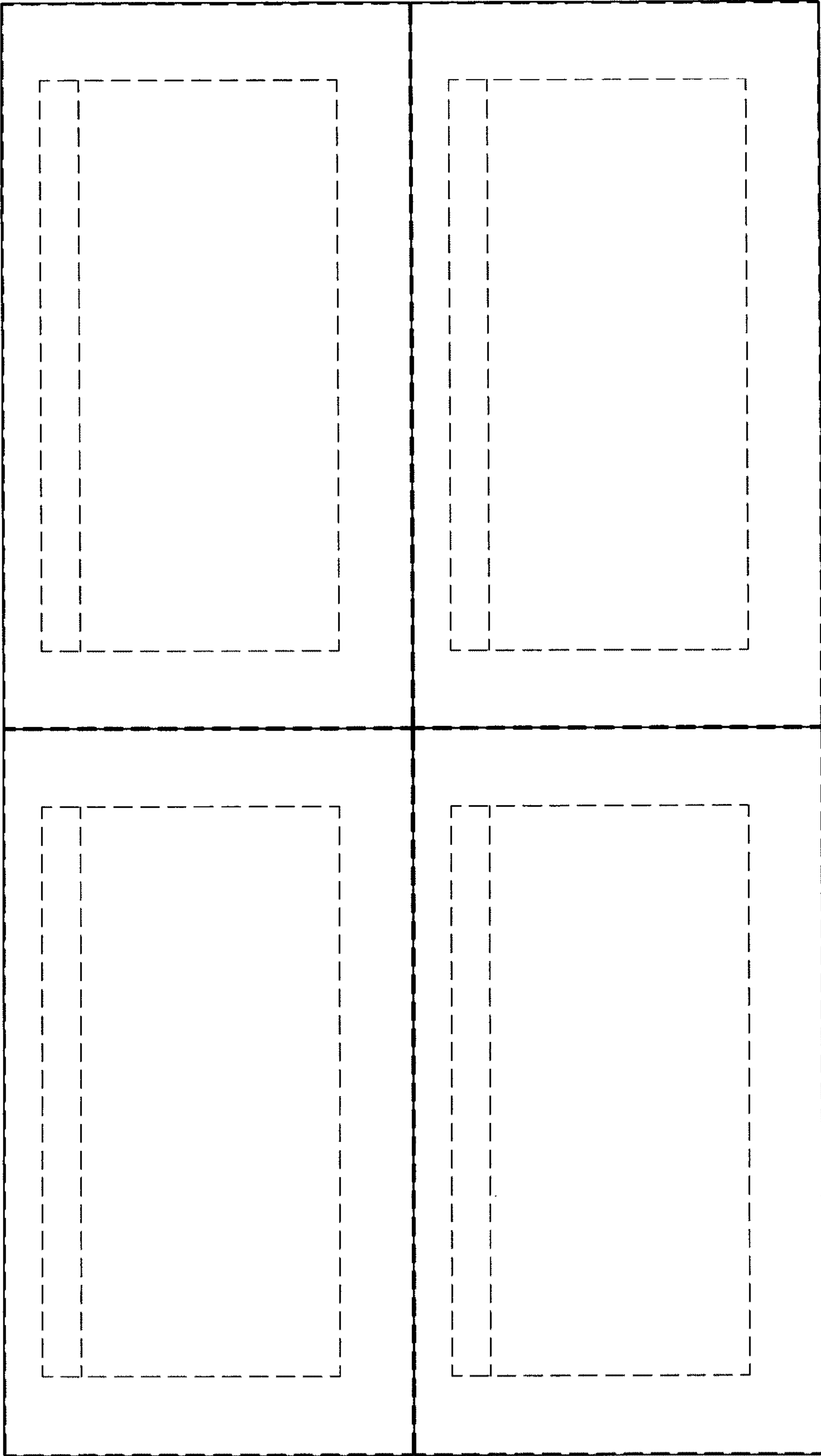


FIG. 3

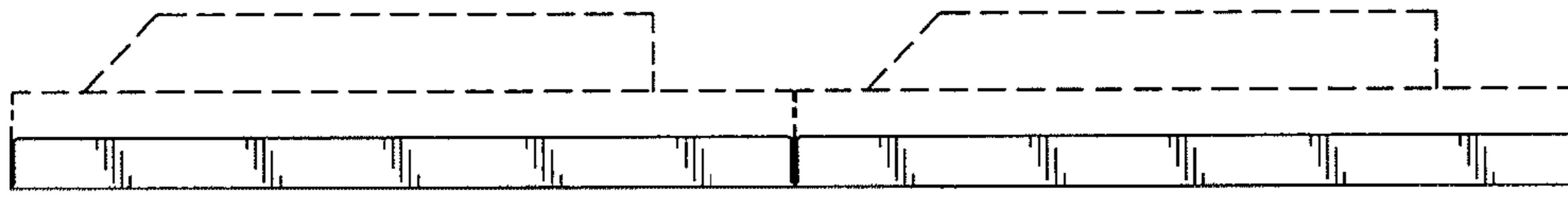


FIG. 5

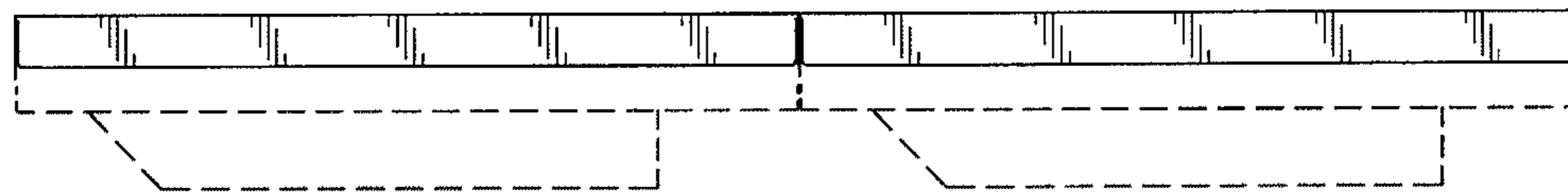


FIG. 4

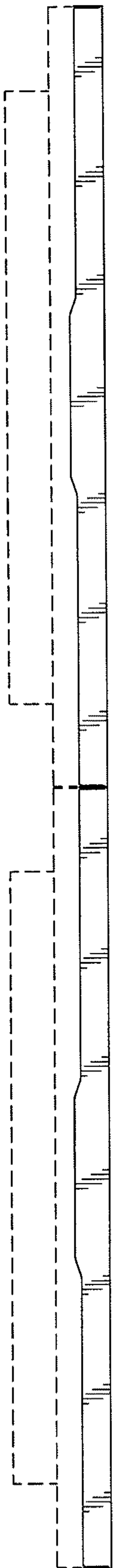


FIG. 6

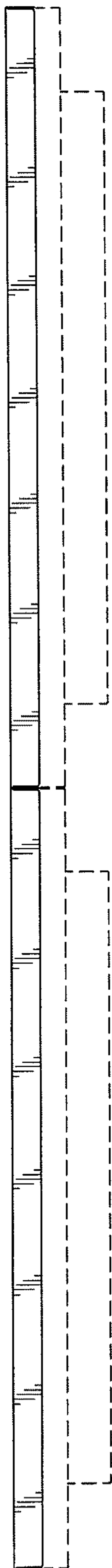


FIG. 7

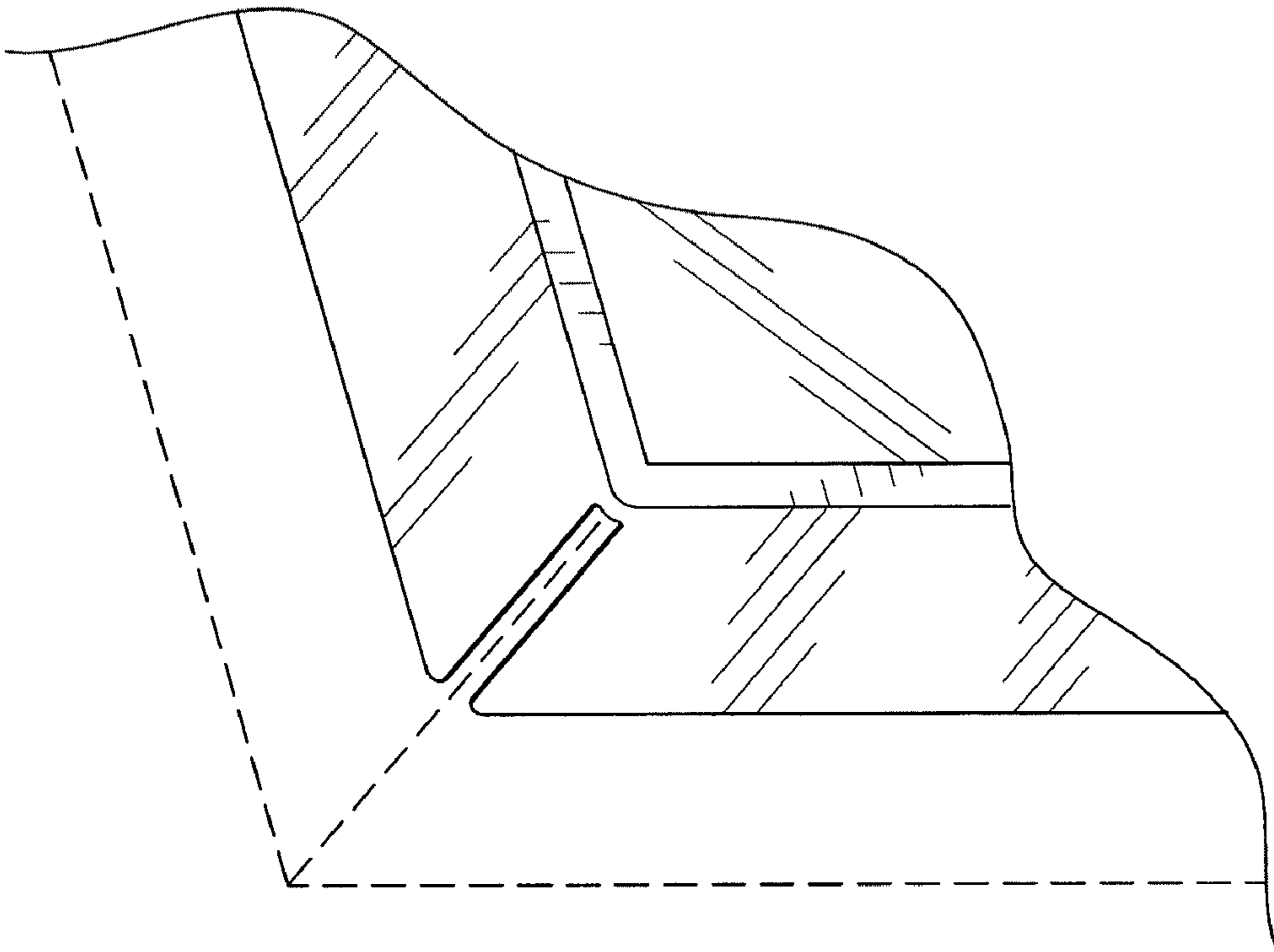


FIG. 8

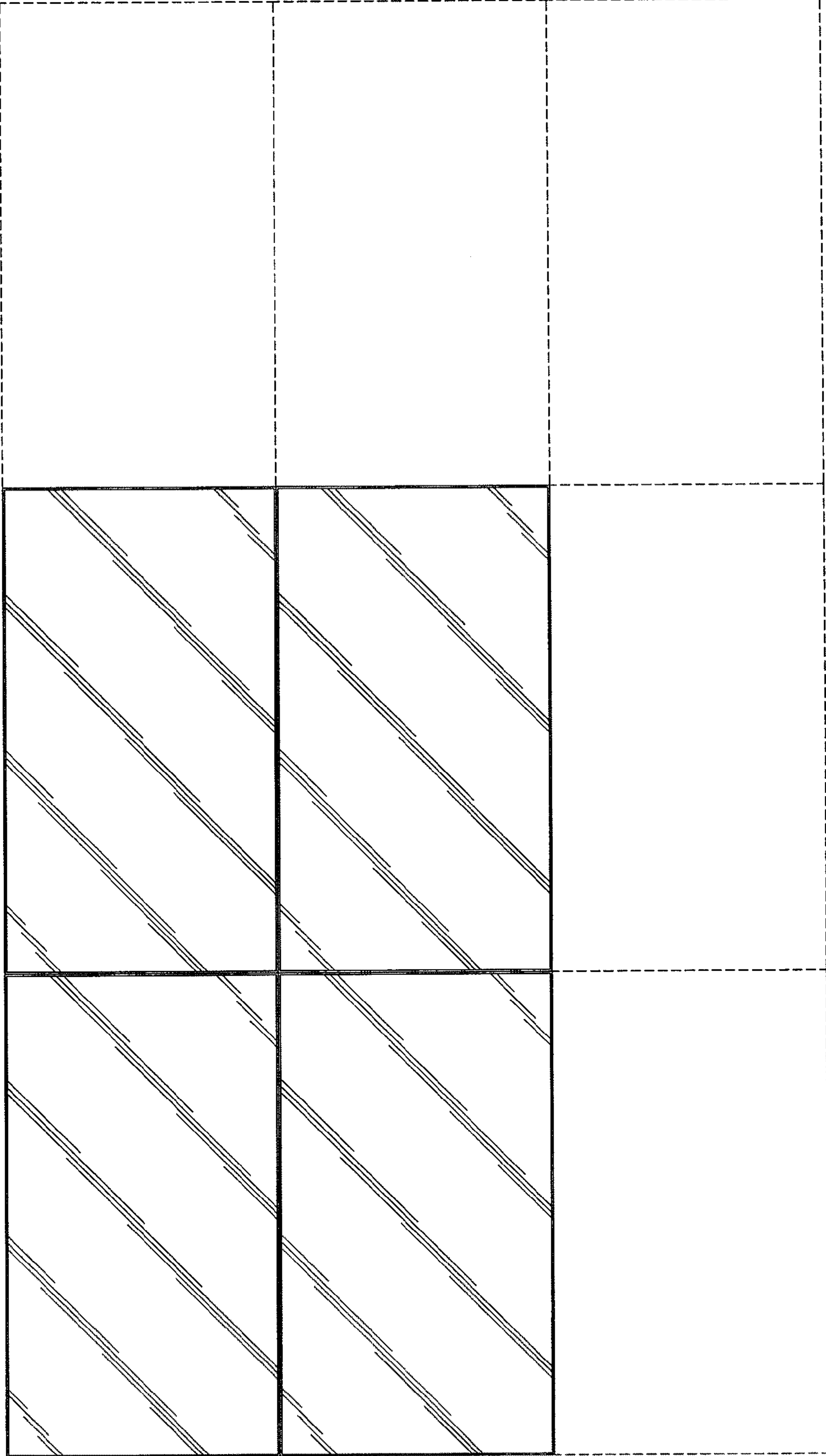


FIG. 9