



US00D645465S

(12) **United States Design Patent**
Lin et al.

(10) **Patent No.:** **US D645,465 S**
(45) **Date of Patent:** **** Sep. 20, 2011**

(54) **ELECTRONIC BOOK**

(75) Inventors: **Yu-Nong Lin**, Taipei (TW); **Chang-Ta Miao**, Taipei (TW); **Gwo-Chyuan Chen**, Taipei (TW)

(73) Assignee: **Quanta Computer Inc.**, Taoyuan Shien (TW)

(**) Term: **14 Years**

(21) Appl. No.: **29/347,769**

(22) Filed: **May 26, 2010**

(30) **Foreign Application Priority Data**

Mar. 30, 2010 (TW) 99301577

(51) **LOC (9) Cl.** **14-02**

(52) **U.S. Cl.** **D14/341**

(58) **Field of Classification Search** D14/341-347, D14/137, 138, 138.1, 138 AA, 138 R, 138 AB, D14/138 AC, 138 AD, 138 C, 138 G, 496, D14/203.1, 203.3, 203.4, 203.5, 203.6, 203.7, D14/426, 427, 428, 432, 429, 129, 130, 420, D14/439-441, 448, 125, 147, 156, 218, 247-248, D14/250, 389, 336; D10/65, 104; D18/6-7; D21/29, 686, 33, 324, 329, 330; D19/60; 345/169, 901, 905; 348/169; 361/814; 341/122; 346/173; 379/433.04, 433.07, 433.11, 433.12, 379/433.13, 910, 916, 433.01, 433.06

See application file for complete search history.

(56) **References Cited**

U.S. PATENT DOCUMENTS

D525,621	S	*	7/2006	Hirota	D14/346
D626,549	S	*	11/2010	Chiu	D14/341
D626,957	S	*	11/2010	Juan et al.	D14/345
D631,894	S	*	2/2011	Chun et al.	D14/496
D635,972	S	*	4/2011	Miyazawa et al.	D14/341
2011/0050560	A1	*	3/2011	Foster et al.	345/107

* cited by examiner

Primary Examiner — Cathron Brooks

Assistant Examiner — Barbara Fox

(74) *Attorney, Agent, or Firm* — Rabin & Berdo, PC

(57) **CLAIM**

The ornamental design for an electronic book, as shown.

DESCRIPTION

FIG. 1 is a perspective view of an electronic book showing our new design;

FIG. 2 is a front view thereof;

FIG. 3 is a rear view thereof;

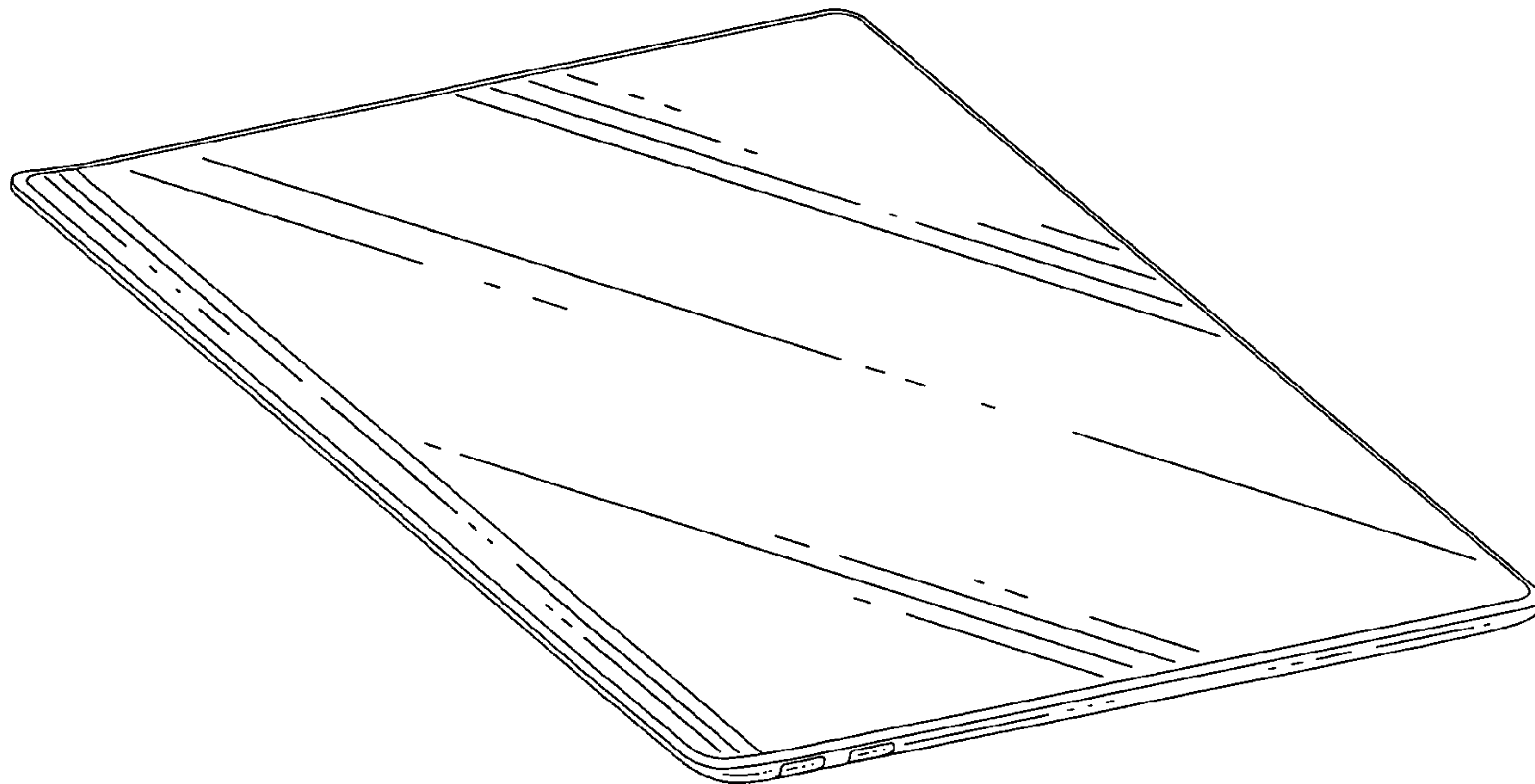
FIG. 4 is a left side view thereof;

FIG. 5 is a right side view thereof;

FIG. 6 is a top view thereof; and,

FIG. 7 is a bottom view thereof.

1 Claim, 5 Drawing Sheets



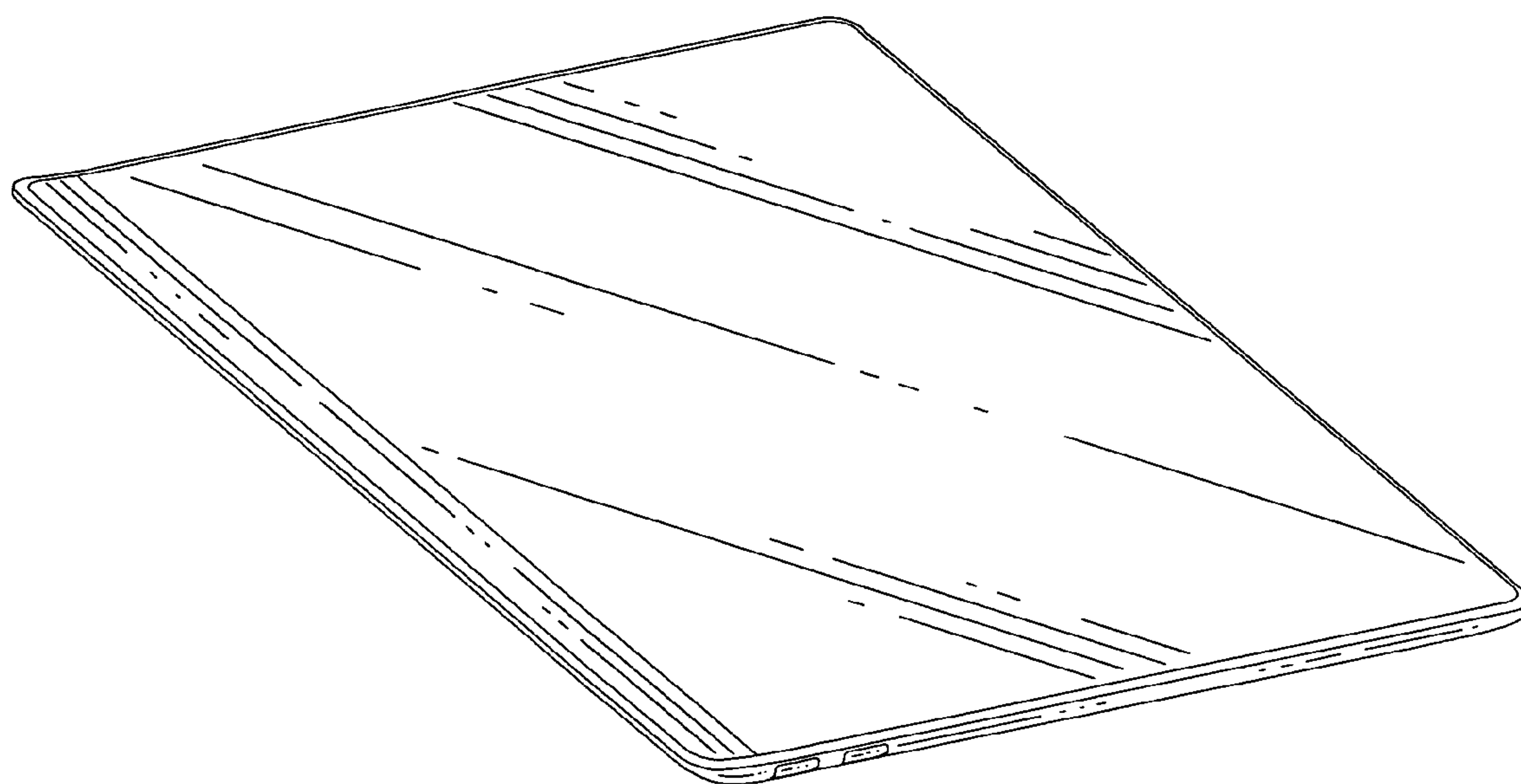


FIG. 1

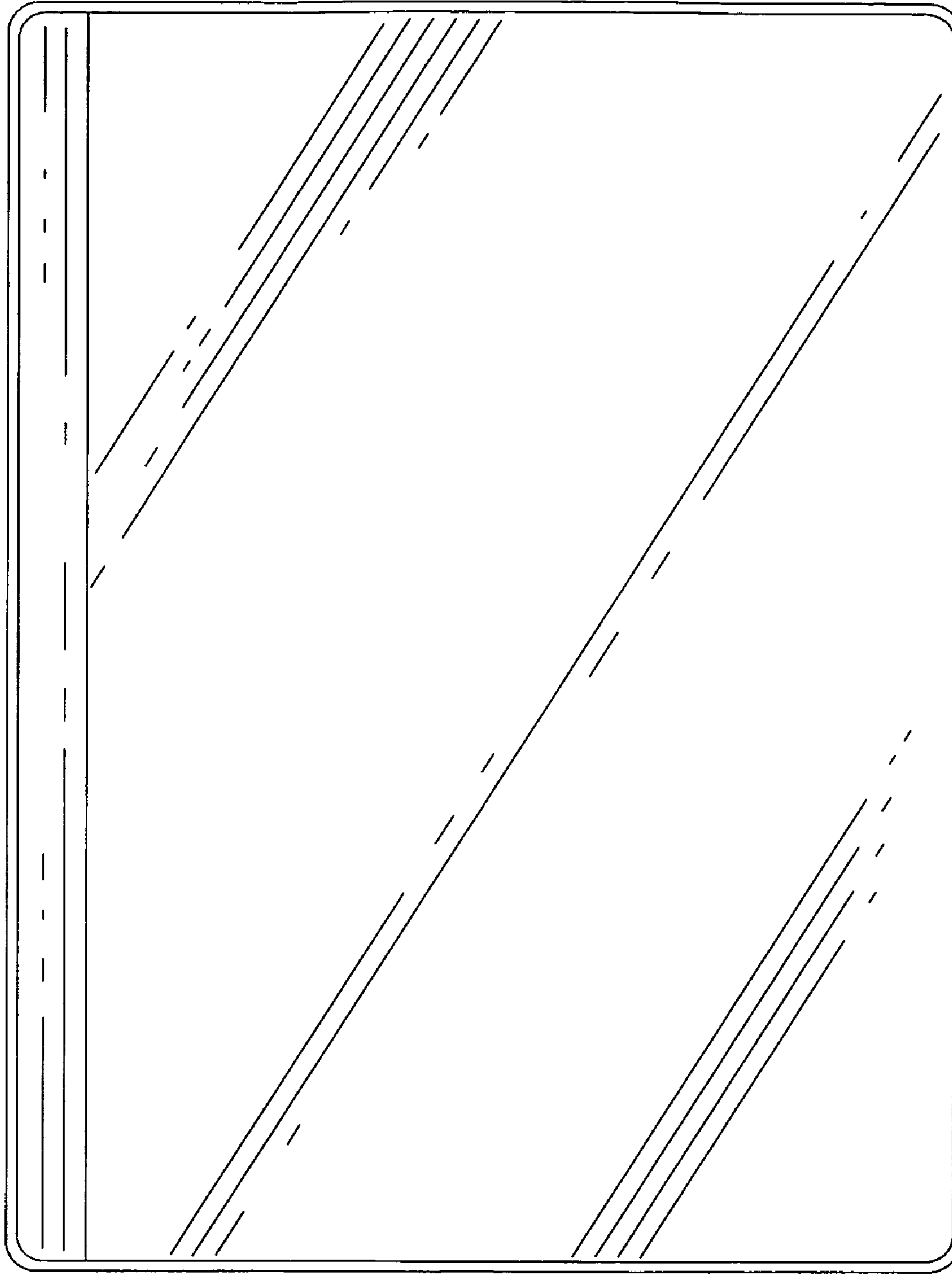


FIG. 2

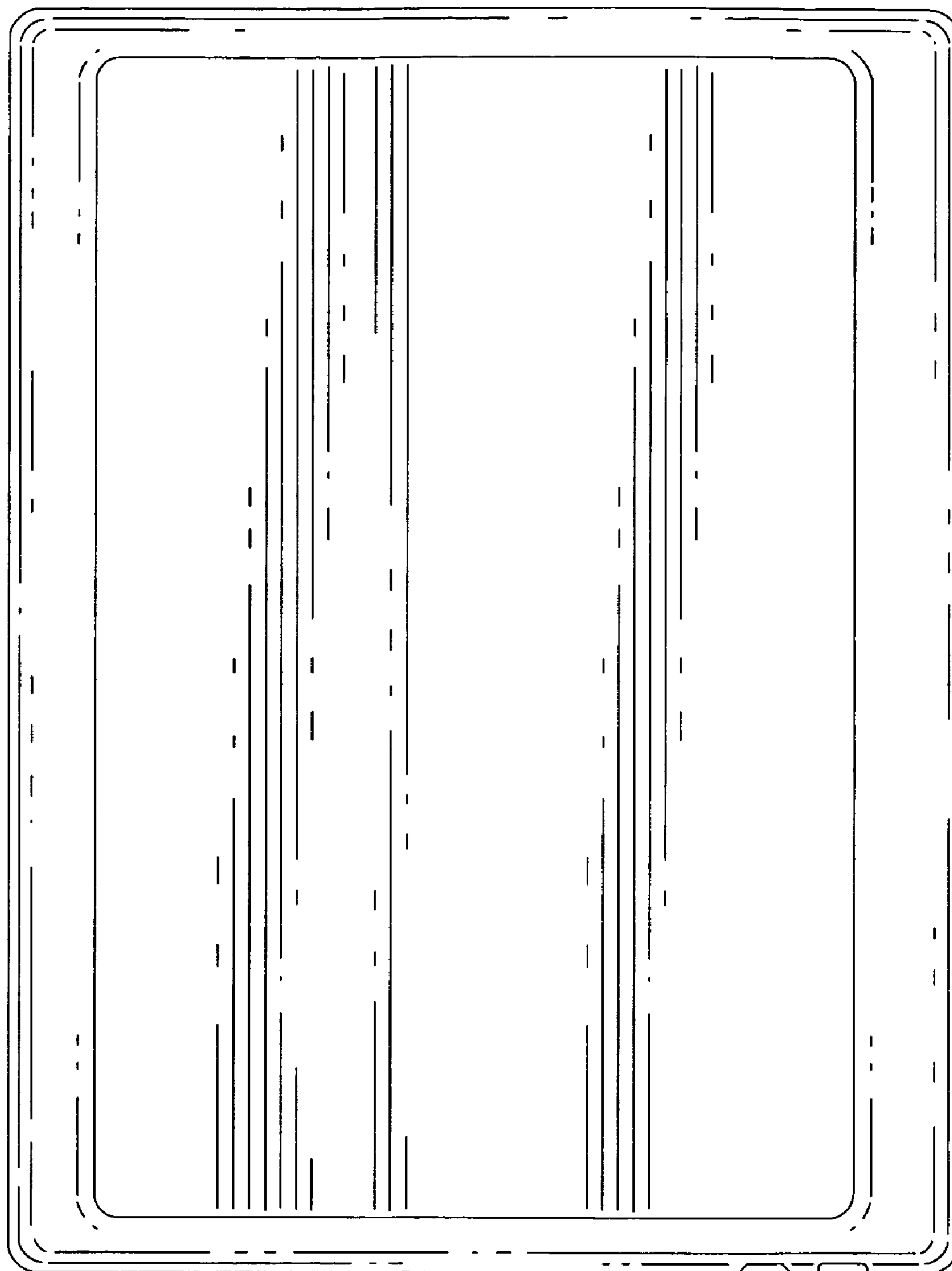


FIG. 3



FIG. 4

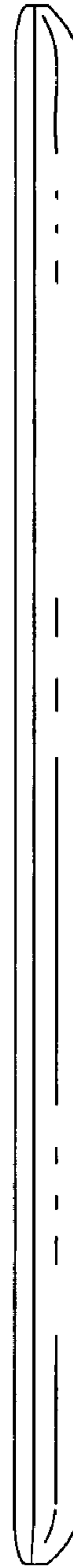


FIG. 5



FIG. 6

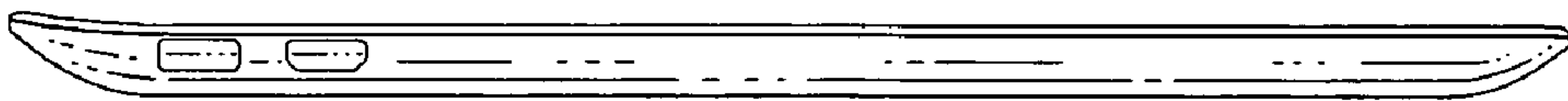


FIG. 7