



US00D645464S

(12) **United States Design Patent**  
**Kimura**

(10) **Patent No.:** **US D645,464 S**

(45) **Date of Patent:** **\*\* Sep. 20, 2011**

(54) **DISC PLAYER WITH RADIO TUNER**

(75) Inventor: **Hideyuki Kimura**, Yokohama (JP)

(73) Assignee: **Victor Company of Japan, Limited**,  
Yokohama-shi, Kanagawa (JP)

(\*\*) Term: **14 Years**

(21) Appl. No.: **29/381,598**

(22) Filed: **Dec. 21, 2010**

(30) **Foreign Application Priority Data**

Jun. 30, 2010 (JP) ..... D2010-016085

(51) **LOC (9) Cl.** ..... **14-01**

(52) **U.S. Cl.** ..... **D14/257**

(58) **Field of Classification Search** ..... D14/496,  
D14/498-511, 167-168, 188, 197-198, 157-158;  
360/99.02, 99.07; 369/75.11, 75.21, 77.11,  
369/77.21; 720/601, 612, 619, 649, 655;  
455/344, 347-351

See application file for complete search history.

(56) **References Cited**

U.S. PATENT DOCUMENTS

D537,055 S *	2/2007	Endo et al. ....	D14/502
D554,088 S *	10/2007	Matsumoto .....	D14/505
D571,350 S *	6/2008	Iwamoto et al. ....	D14/157
D604,287 S *	11/2009	Kimura et al. ....	D14/258

\* cited by examiner

*Primary Examiner* — Nanda Bondade

(74) *Attorney, Agent, or Firm* — The Nath Law Group;  
Jerald L. Meyer; Derek Richmond

(57) **CLAIM**

The ornamental design for a disc player with radio tuner, as shown and described.

**DESCRIPTION**

FIG. 1 is a perspective view of a disc player with radio tuner; FIG. 2 is a front view thereof; FIG. 3 is a left side view thereof; FIG. 4 is a right side view thereof; FIG. 5 is a top plan view thereof; and, FIG. 6 is a bottom plan view thereof.

The broken lines showing on the drawing disclosure are for illustrative purposes only and form no part of the claimed design.

**1 Claim, 4 Drawing Sheets**

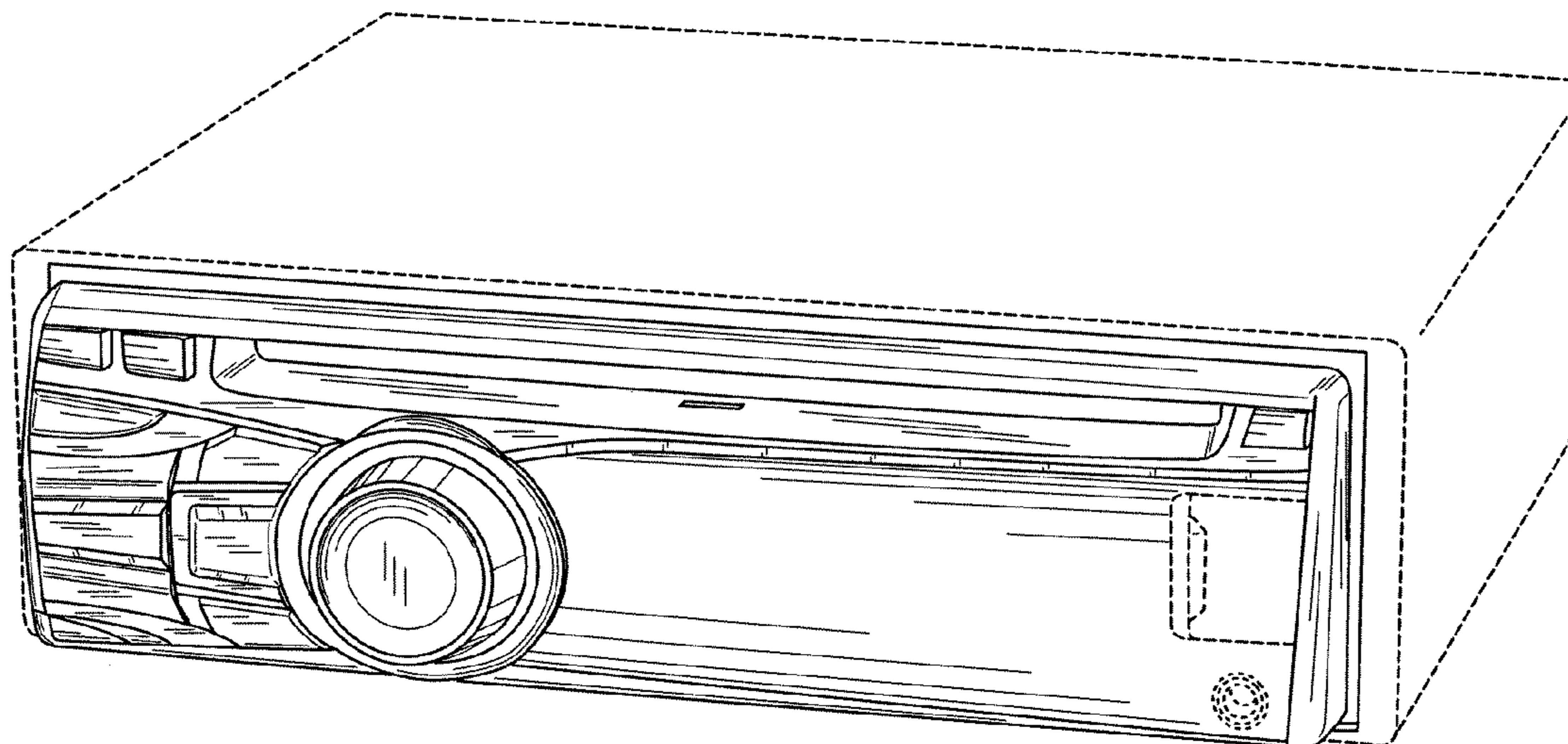


Fig.1

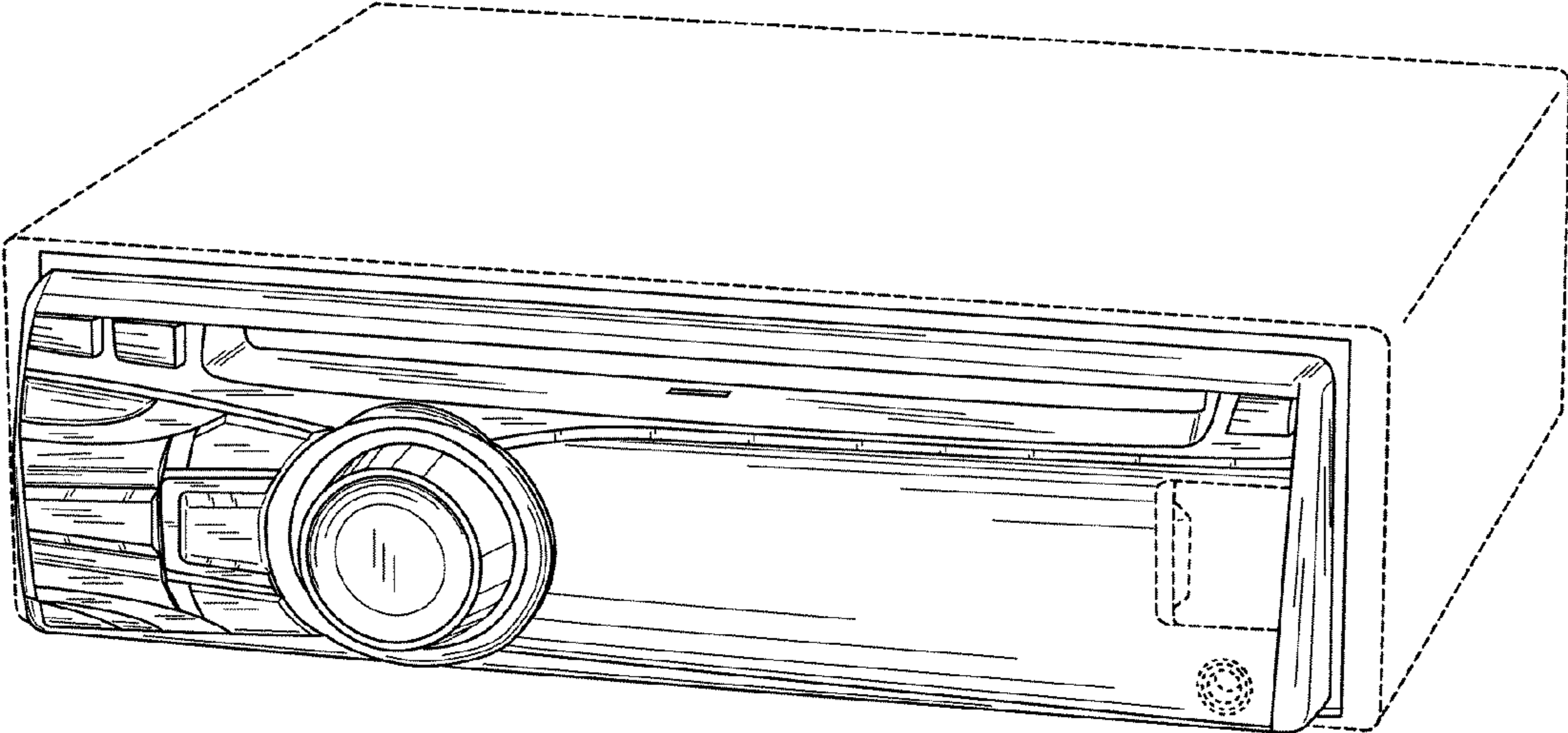


Fig.2

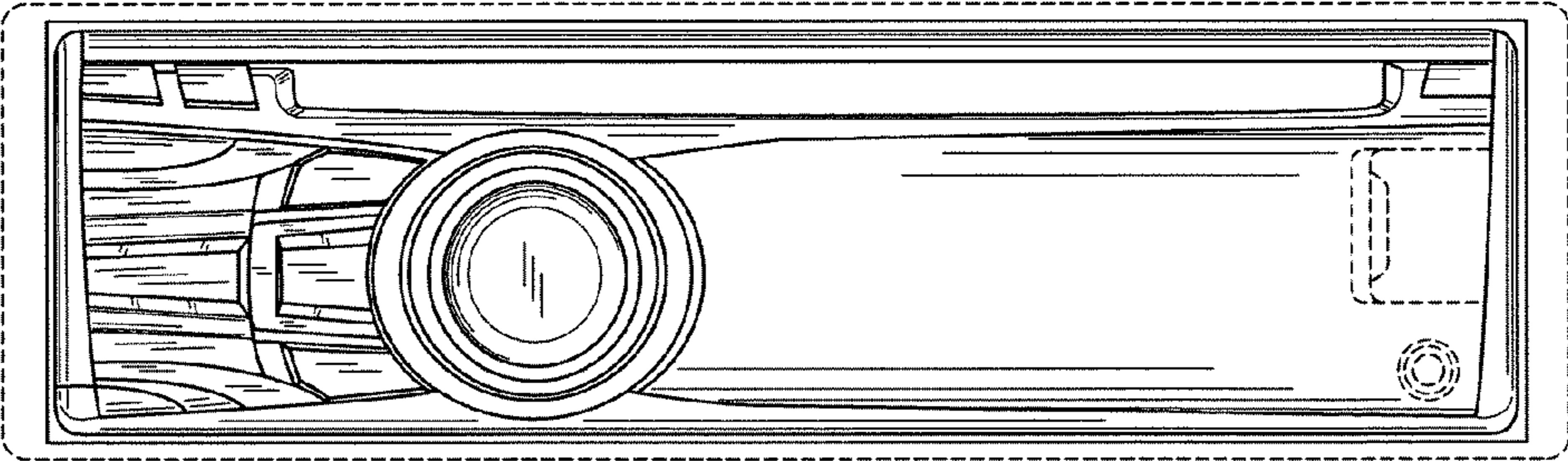


Fig.3



Fig.4



Fig.5

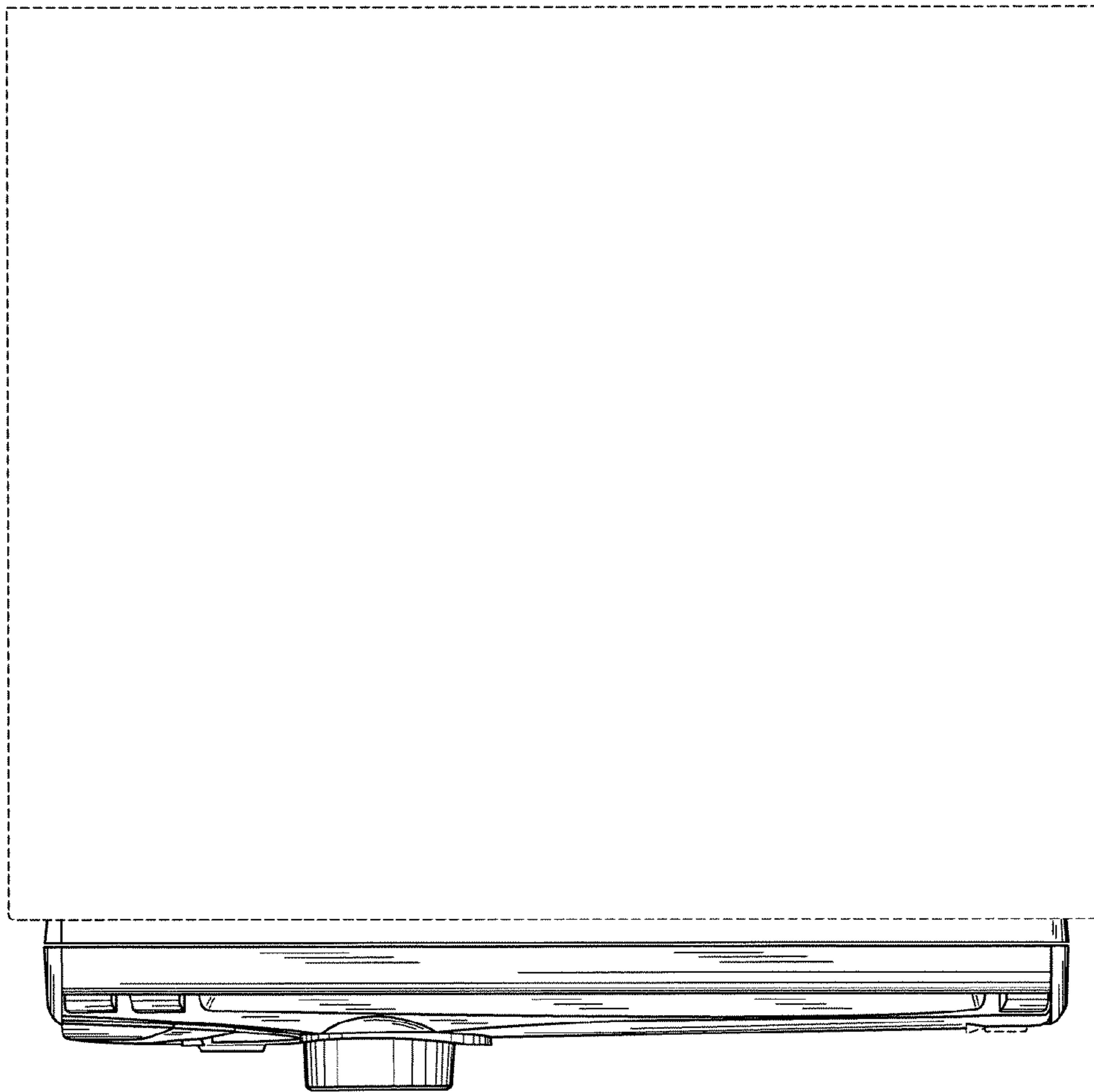


Fig.6

