



US00D645463S

(12) **United States Design Patent**
Kao

(10) **Patent No.:** **US D645,463 S**

(45) **Date of Patent:** **** Sep. 20, 2011**

(54) **MOBILE PHONE HOLDER**

(75) Inventor: **Hsing-Yi Kao**, Tu-Cheng (TW)

(73) Assignee: **Cheng Uei Precision Industry Co., Ltd.**, Tu-Cheng, Taipei Hsien (TW)

(**) Term: **14 Years**

(21) Appl. No.: **29/384,532**

(22) Filed: **Jan. 31, 2011**

(51) **LOC (9) Cl.** **14-03**

(52) **U.S. Cl.** **D14/253**

(58) **Field of Classification Search** D14/140,
D14/217, 224, 224.1, 229, 240, 243, 250–253,
D14/299, 344, 434, 447, 451–452, 483, 496;
D13/108; 361/679.41; 439/534; 320/115,
320/116, 107; D8/355, 363; D12/415, 418;
379/449, 455, 165; 248/122.1, 127, 157,
248/205.8, 206.2, 279.1, 205.5, 309.1, 309.3,
248/352; D3/201, 218, 269, 273, 301; D11/79;
63/26

See application file for complete search history.

(56) **References Cited**

U.S. PATENT DOCUMENTS

D176,069	S	*	11/1955	Kamp	D14/229
3,057,591	A	*	10/1962	Weimer	248/166
D299,338	S	*	1/1989	Wiegel	D14/229
5,029,784	A	*	7/1991	Blahout	248/166
D394,160	S	*	5/1998	Yarbrough	D6/310

D413,110	S	*	8/1999	Sweere et al.	D14/447
D462,952	S	*	9/2002	Anderson et al.	D14/299
D470,149	S	*	2/2003	West	D14/447
D496,031	S	*	9/2004	Ma et al.	D14/240
D496,653	S	*	9/2004	Townsend et al.	D14/240
D510,930	S	*	10/2005	Deguchi	D14/240
D557,259	S	*	12/2007	Hirsch	D14/217
D575,293	S	*	8/2008	Derry et al.	D14/447
D627,990	S	*	11/2010	Shea	D6/468
D636,397	S	*	4/2011	Green	D14/447
D637,187	S	*	5/2011	Burns	D14/253

* cited by examiner

Primary Examiner — Robert M. Spear

Assistant Examiner — Carla Jobe Wright

(74) *Attorney, Agent, or Firm* — Cheng-Ju Chiang

(57) **CLAIM**

The ornamental design for a mobile phone holder, as shown and described.

DESCRIPTION

FIG. 1 is a perspective view of a mobile phone holder showing my new design;

FIG. 2 is a front elevational view thereof;

FIG. 3 is a rear elevational view thereof;

FIG. 4 is a left side elevational view thereof;

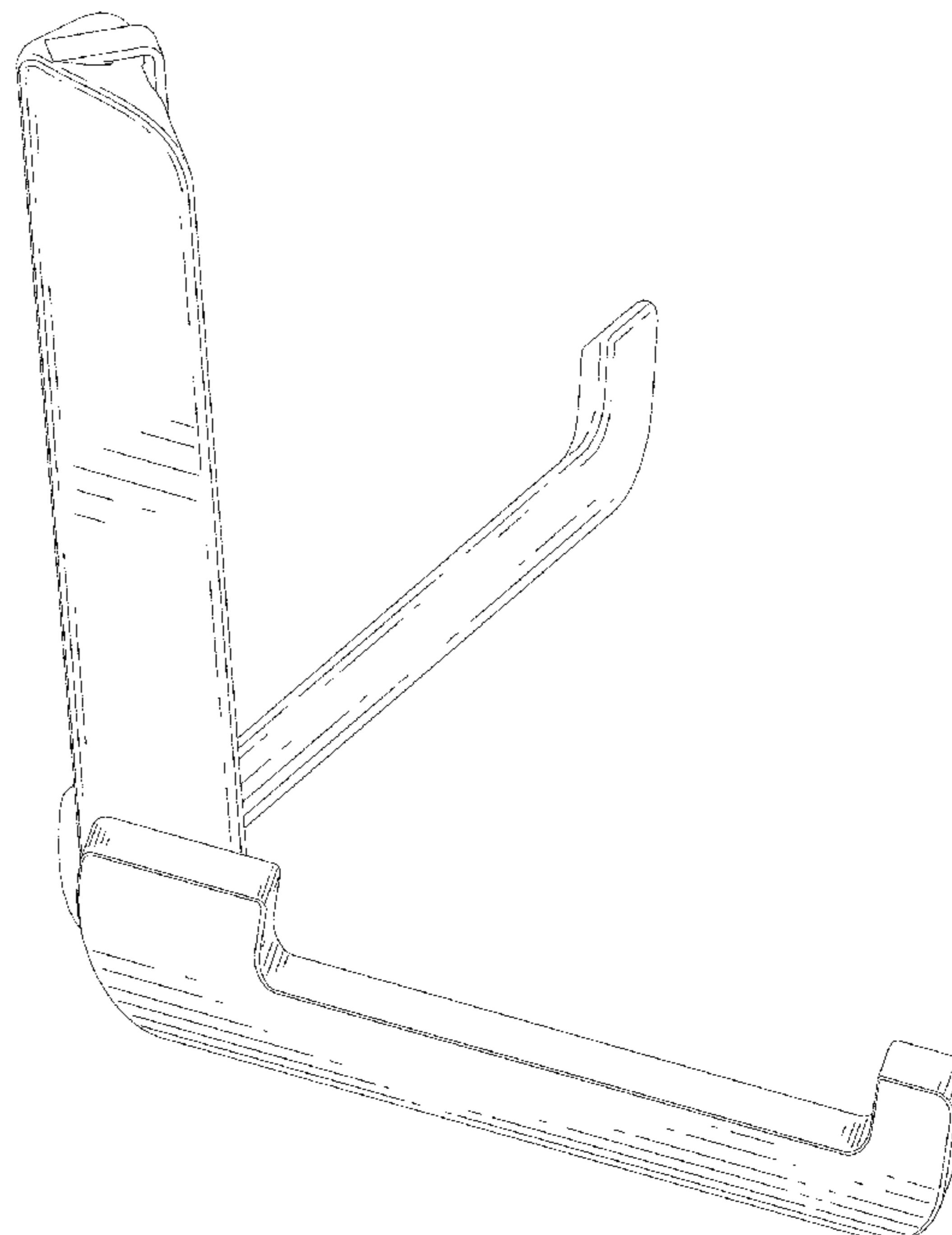
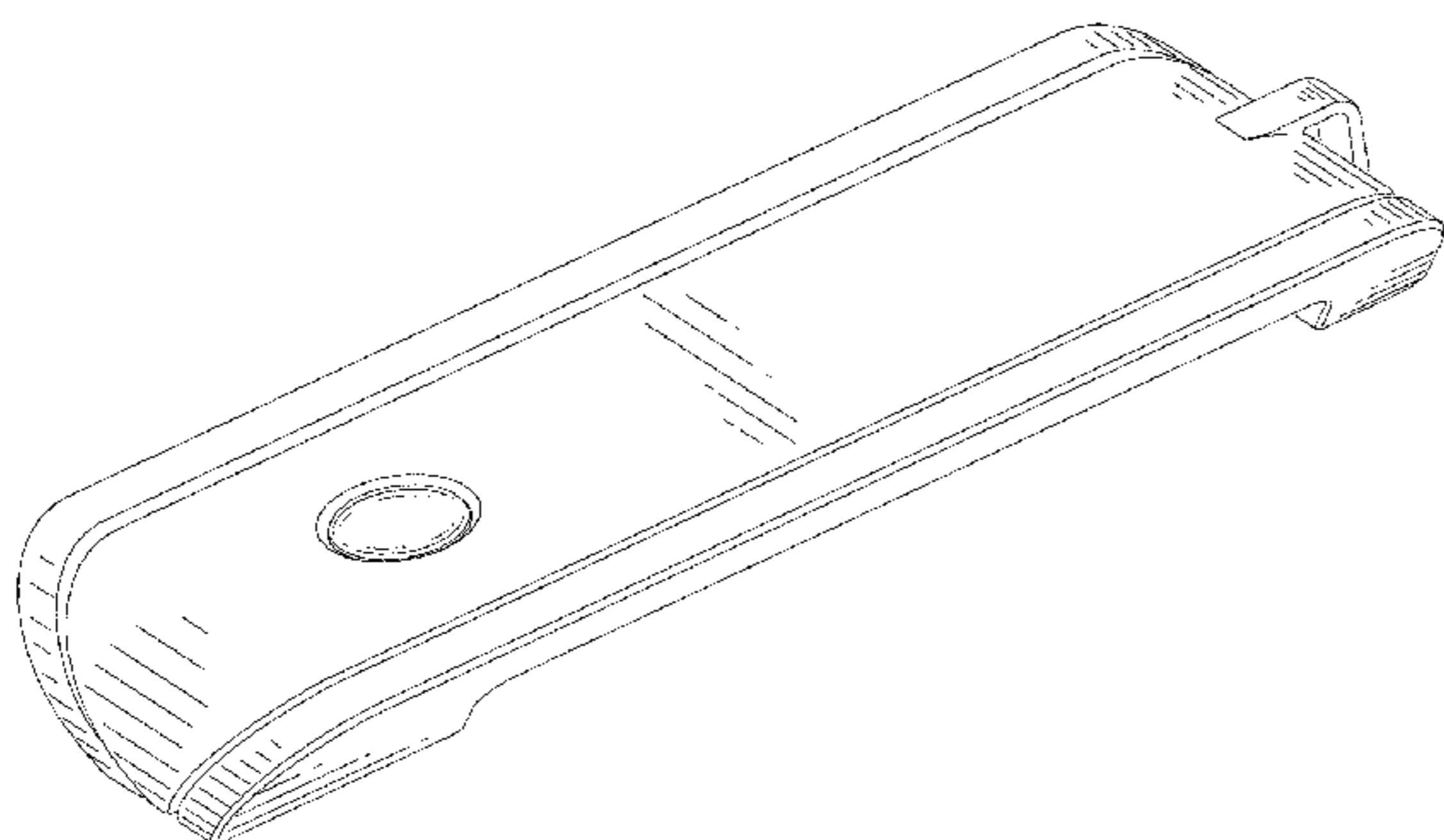
FIG. 5 is a right side elevational view thereof;

FIG. 6 is a top plan view thereof;

FIG. 7 is a bottom plan view thereof; and,

FIG. 8 is a perspective view showing the mobile phone holder in an open state.

1 Claim, 8 Drawing Sheets



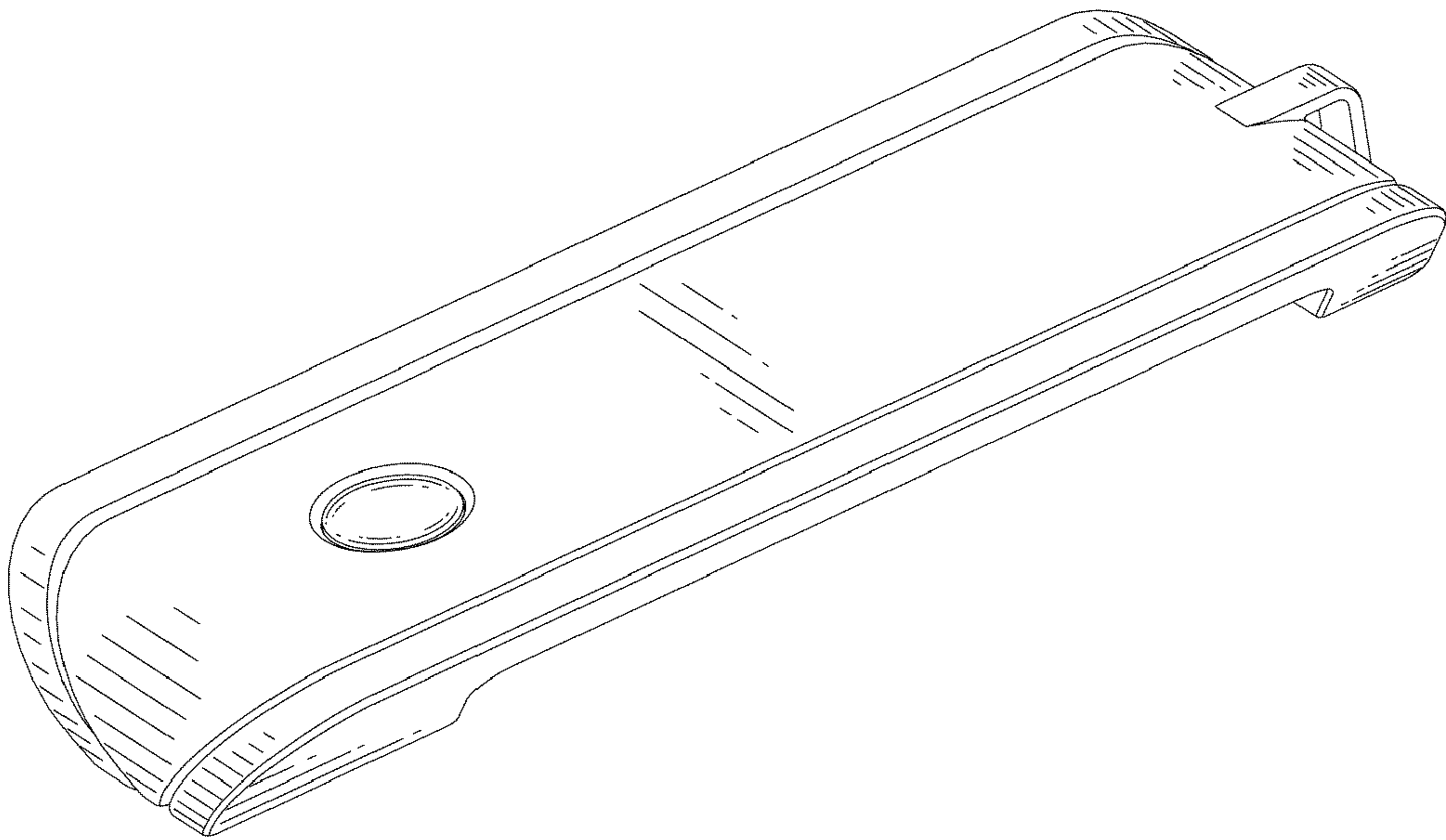


FIG. 1

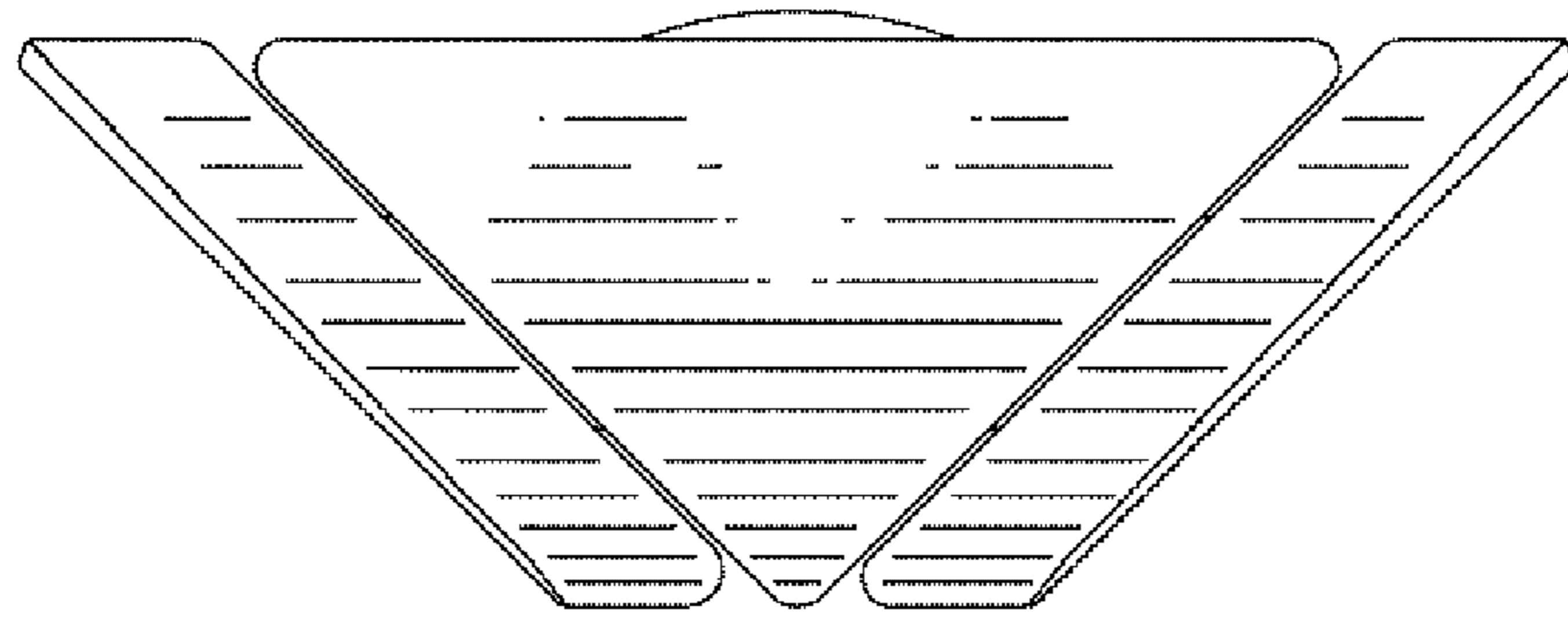


FIG. 2

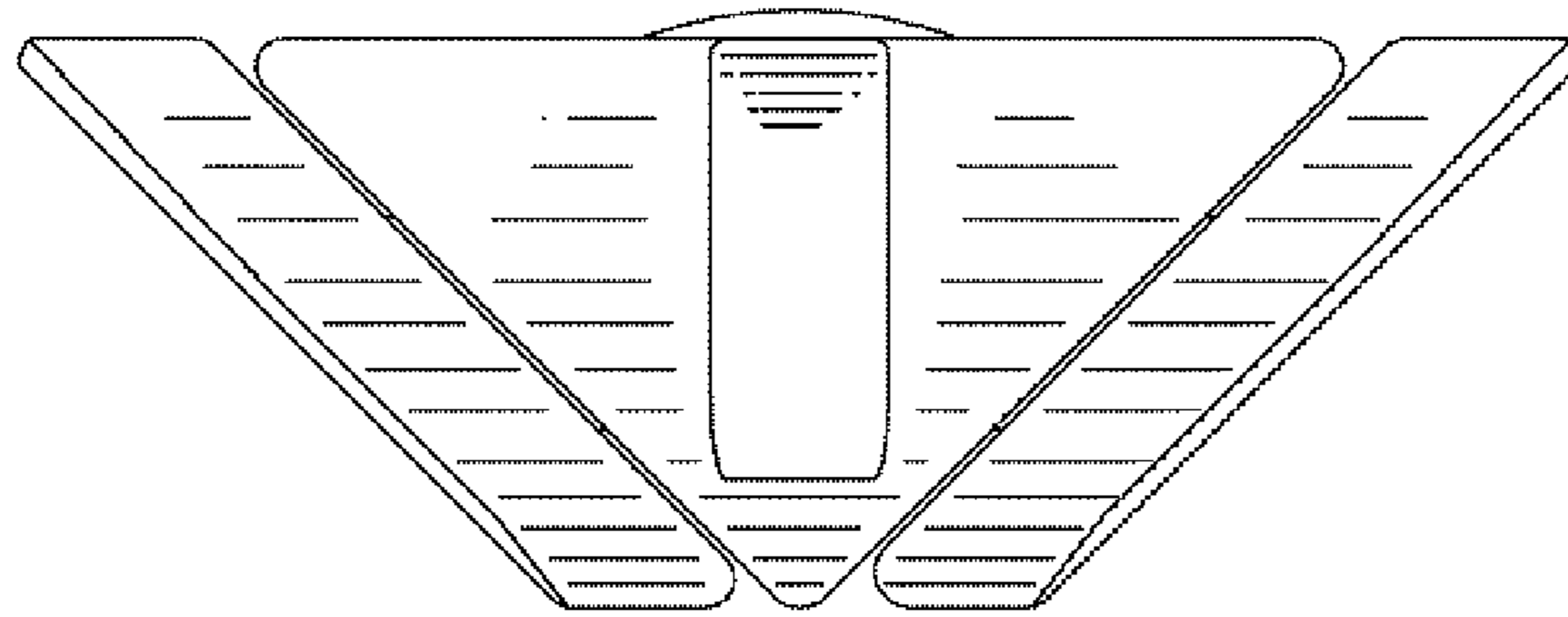


FIG. 3

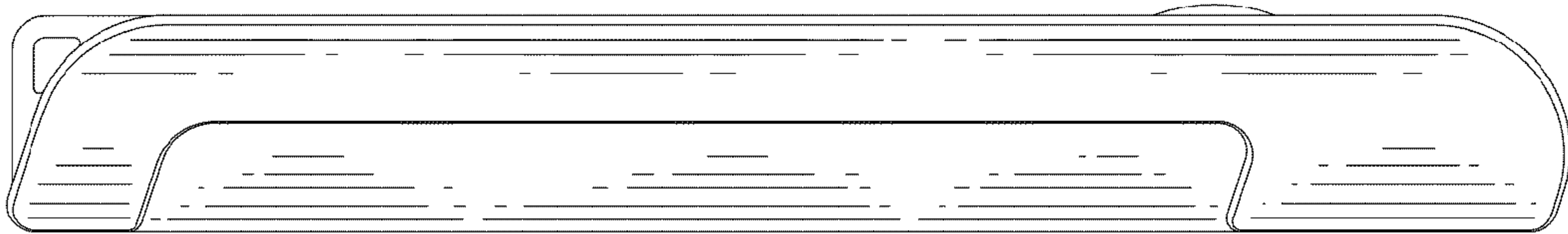


FIG. 4

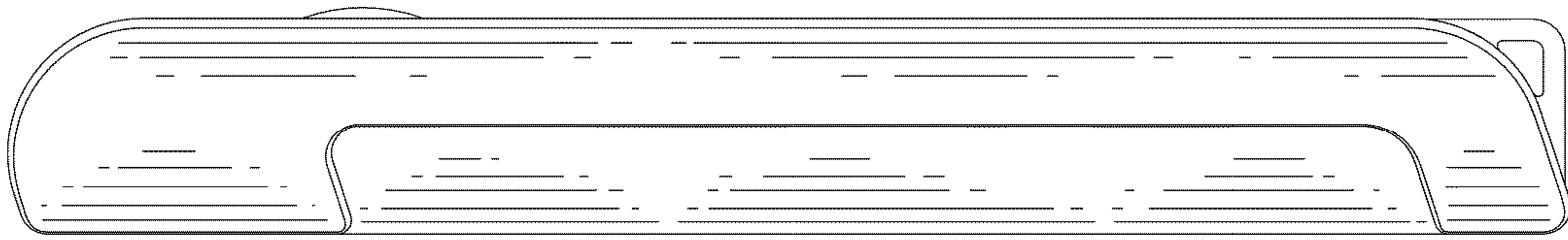


FIG. 5

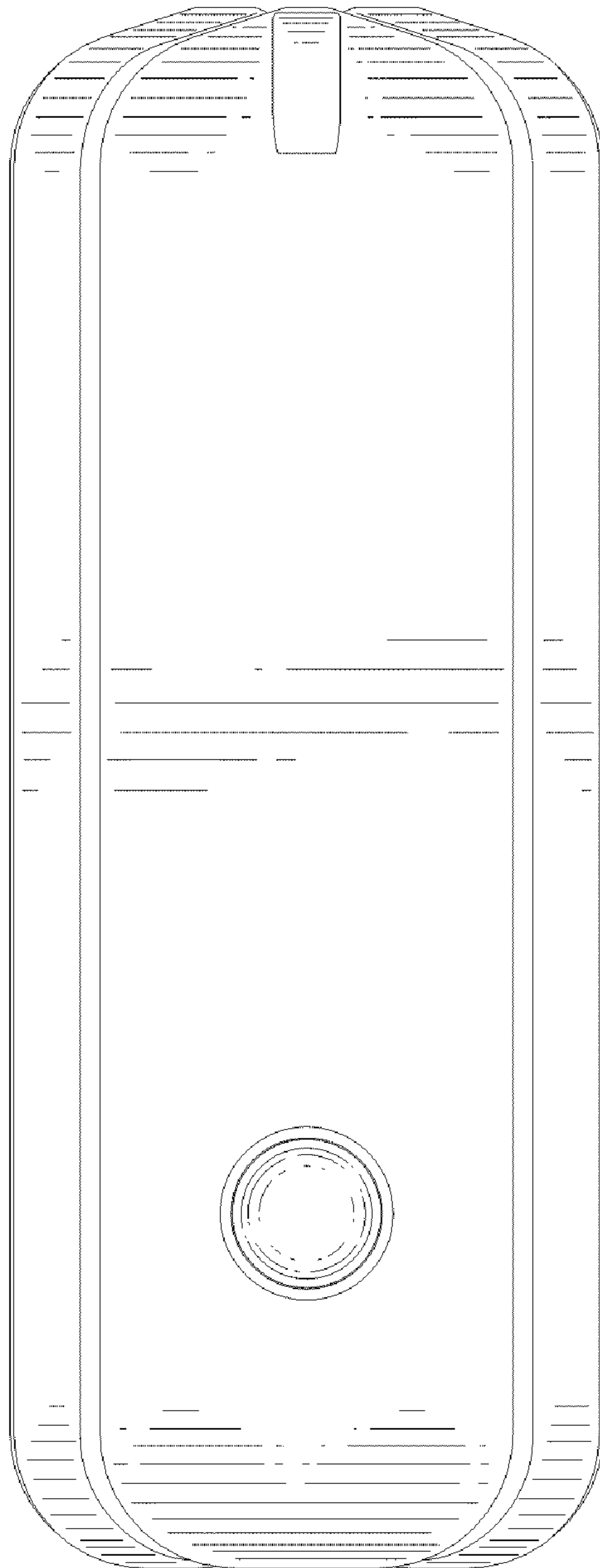


FIG. 6

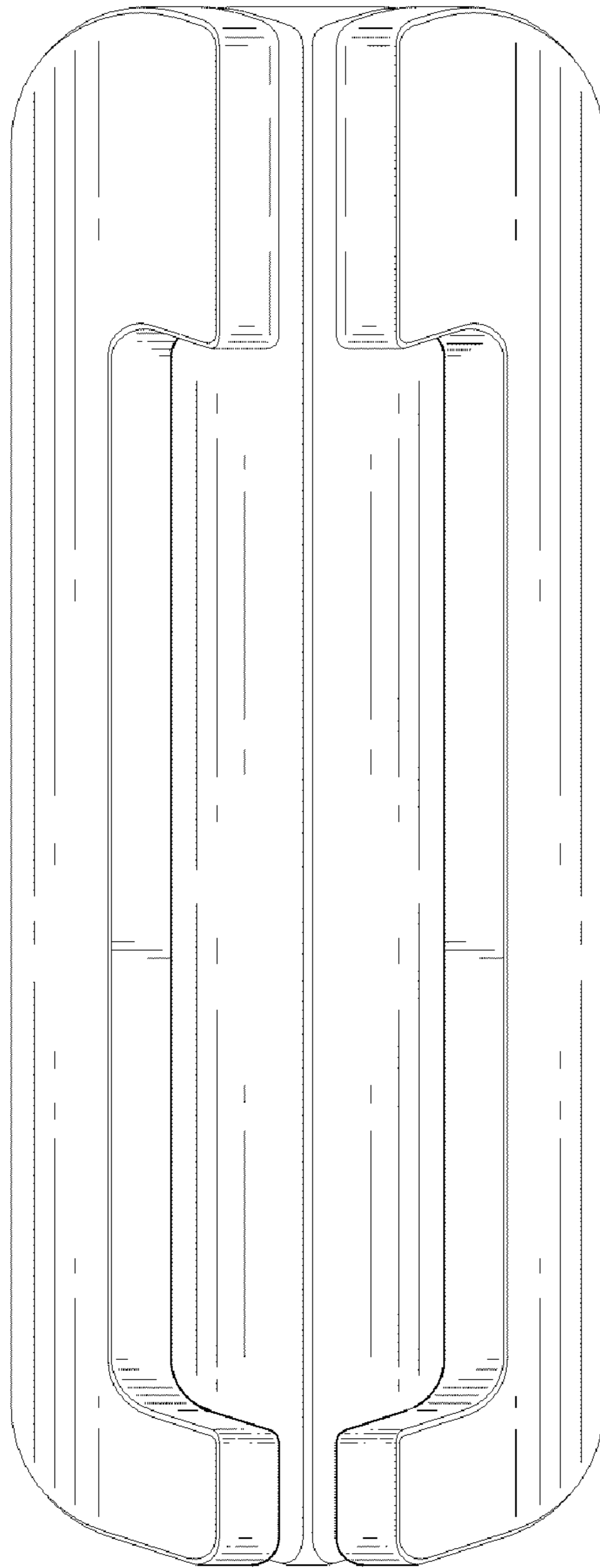


FIG. 7

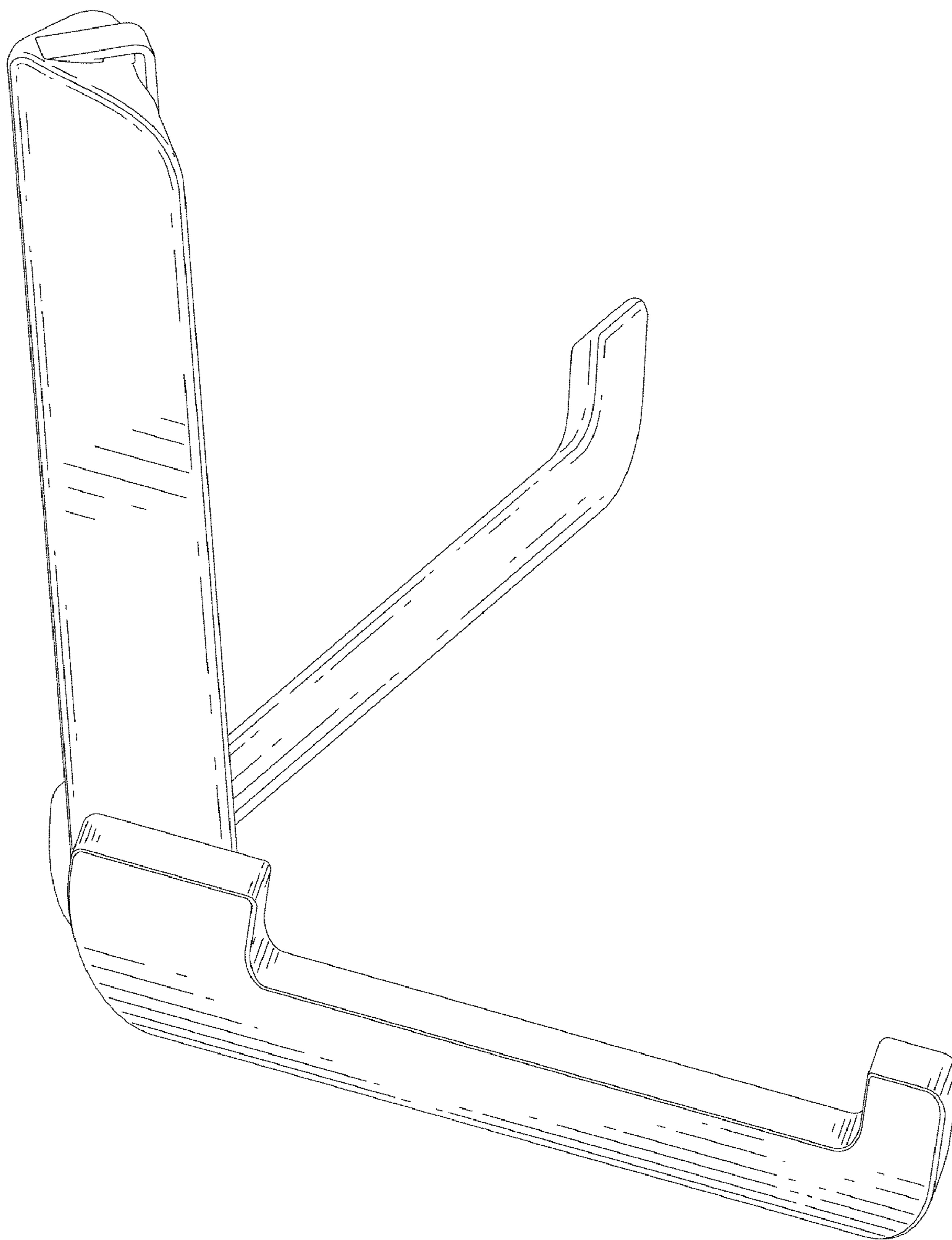


FIG. 8