



US00D645462S

(12) **United States Design Patent**
Choi

(10) **Patent No.:** **US D645,462 S**

(45) **Date of Patent:** **** Sep. 20, 2011**

(54) **MOBILE PHONE WINDSHIELD HOLDER
FOR MOTOR VEHICLES**

(75) Inventor: **Won Sang Choi**, Gyeonggi-do (KR)

(73) Assignee: **LG Electronics Inc.**, Seoul (KR)

(**) Term: **14 Years**

(21) Appl. No.: **29/378,280**

(22) Filed: **Nov. 2, 2010**

(30) **Foreign Application Priority Data**

May 3, 2010 (KR) 30-2010-0019696

(51) **LOC (9) Cl.** **14-03**

(52) **U.S. Cl.** **D14/253**

(58) **Field of Classification Search** D14/140,
D14/217, 224, 224.1, 229, 240, 243, 250-253,
D14/299, 344, 434, 447, 451-452, 483, 496;
D13/108; 361/679.41; 439/534; 320/115,
320/116, 107; D8/355, 363; D12/415, 418;
379/449, 455, 165; 248/122.1, 127, 157,
248/205.8, 206.2, 279.1, 205.5, 309.1, 309.3,
248/352; D3/201, 218, 269, 273, 301; D11/79;
63/26

See application file for complete search history.

(56) **References Cited**

U.S. PATENT DOCUMENTS

D317,157 S *	5/1991	Jondelius	D14/253
5,016,851 A *	5/1991	Koskinen et al.	248/278.1
D331,921 S *	12/1992	Gutke et al.	D14/452
5,285,938 A *	2/1994	Fauchald	224/482
D361,334 S *	8/1995	Chan	D14/251
D361,768 S *	8/1995	Chen	D14/251
D363,492 S *	10/1995	Brussing	D14/251
D388,795 S *	1/1998	Richter	D14/253
D391,265 S *	2/1998	Richter	D14/253
5,961,016 A *	10/1999	Hartmann et al.	224/571
D521,990 S *	5/2006	Richter	D14/253
D533,175 S *	12/2006	Richter	D14/253
D560,592 S *	1/2008	Brassard	D12/415
D587,188 S *	2/2009	Mo	D12/415

D588,903 S *	3/2009	Carnevali	D8/355
D592,188 S *	5/2009	Huang	D14/217
D592,205 S *	5/2009	O'Brien	D14/253
D592,206 S *	5/2009	O'Brien	D14/253
D602,913 S *	10/2009	Han et al.	D14/217
D603,322 S *	11/2009	Nicieja	D12/415
7,673,838 B2 *	3/2010	Odds et al.	248/278.1
D619,586 S *	7/2010	Richter	D14/447
D619,587 S *	7/2010	Richter	D14/447
D620,931 S *	8/2010	Opman	D14/250
D626,541 S *	11/2010	Kim et al.	D14/253
D634,315 S *	3/2011	Nousiainen	D14/253

OTHER PUBLICATIONS

Car Mount Cell Phone Holder, <URL:http://www.cellphoneshop.net/carholder.html>, retrieved from internet May 4, 2011.*

* cited by examiner

Primary Examiner — Robert M. Spear

Assistant Examiner — Carla Jobe Wright

(74) *Attorney, Agent, or Firm* — Morgan, Lewis & Bockius LLP

(57) **CLAIM**

The ornamental design for a mobile phone windshield holder for motor vehicles, as shown and described.

DESCRIPTION

FIG. 1 is a front perspective view of a mobile phone windshield holder for motor vehicles showing my new design; FIG. 2 is a front view thereof; FIG. 3 is a rear view thereof; FIG. 4 is a left side view thereof; FIG. 5 is a right side view thereof; FIG. 6 is a top view thereof; FIG. 7 is a bottom view thereof; and, FIG. 8 is a perspective view thereof shown in an alternative configuration.

In FIGS. 3 and 6, the broken line represents a boundary of the claimed design. The broken line and the entire interior surface of the suction cup, which is bounded by the broken line, form no part of the claimed design.

1 Claim, 8 Drawing Sheets

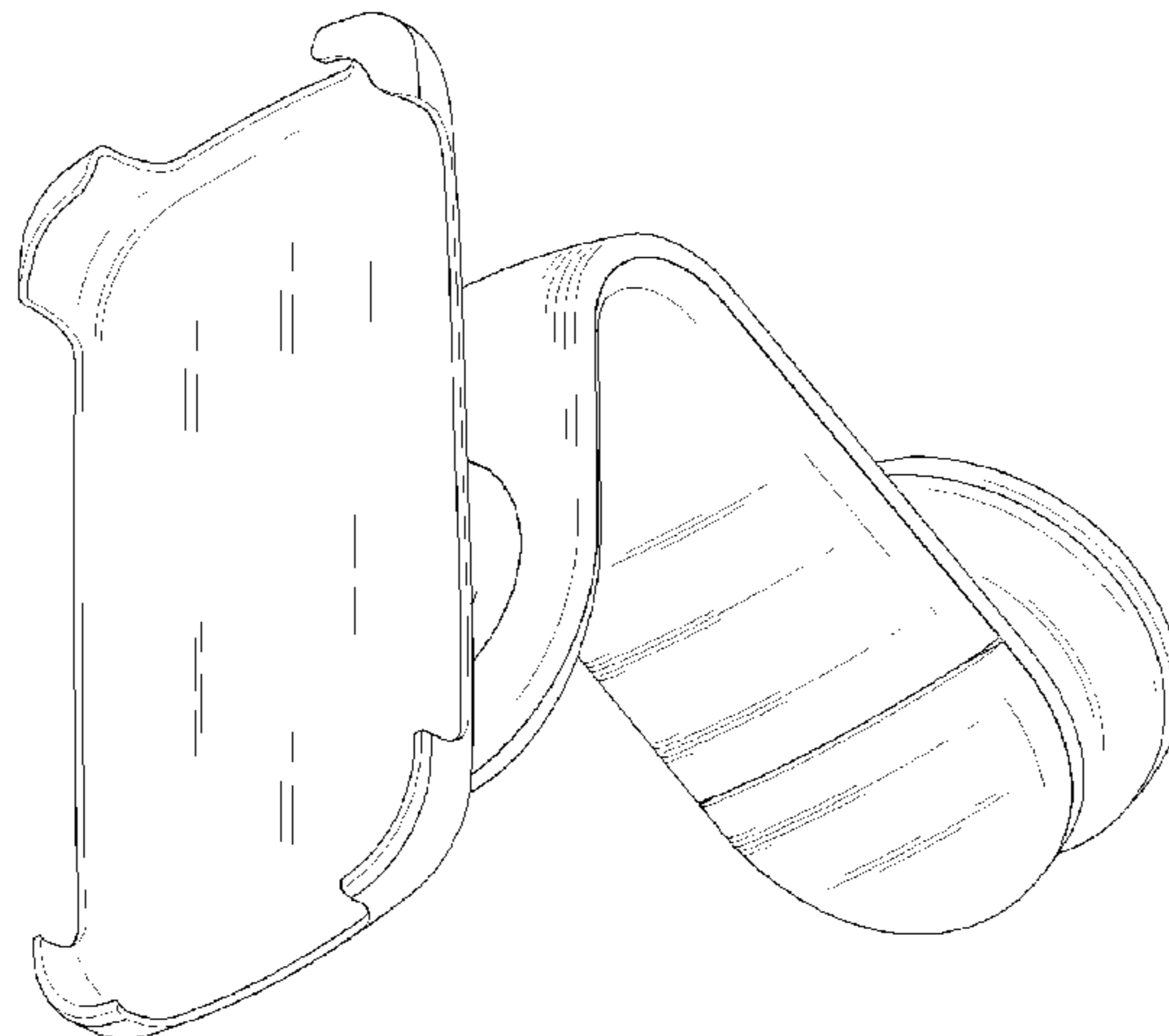


FIG. 1

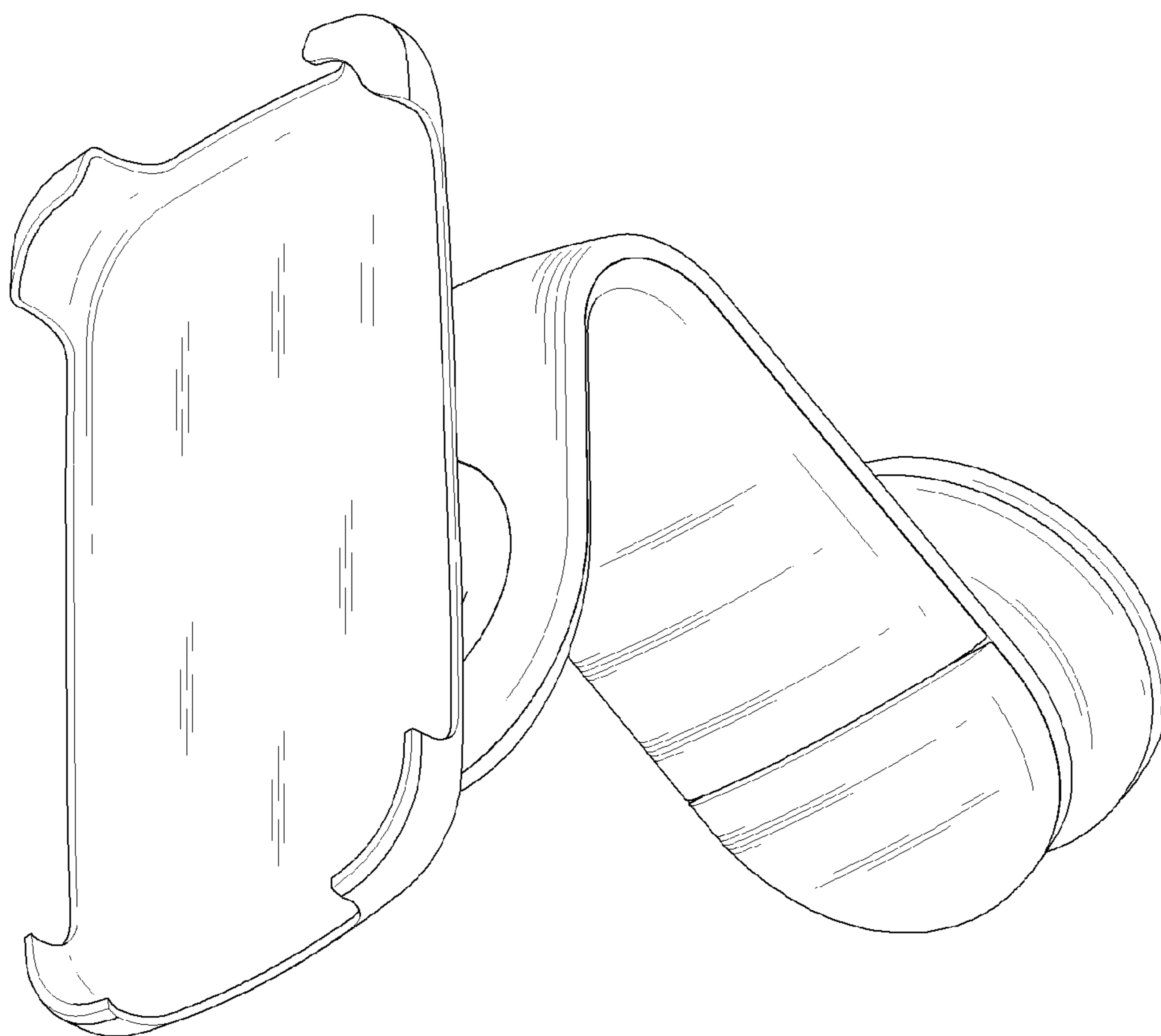


FIG. 2

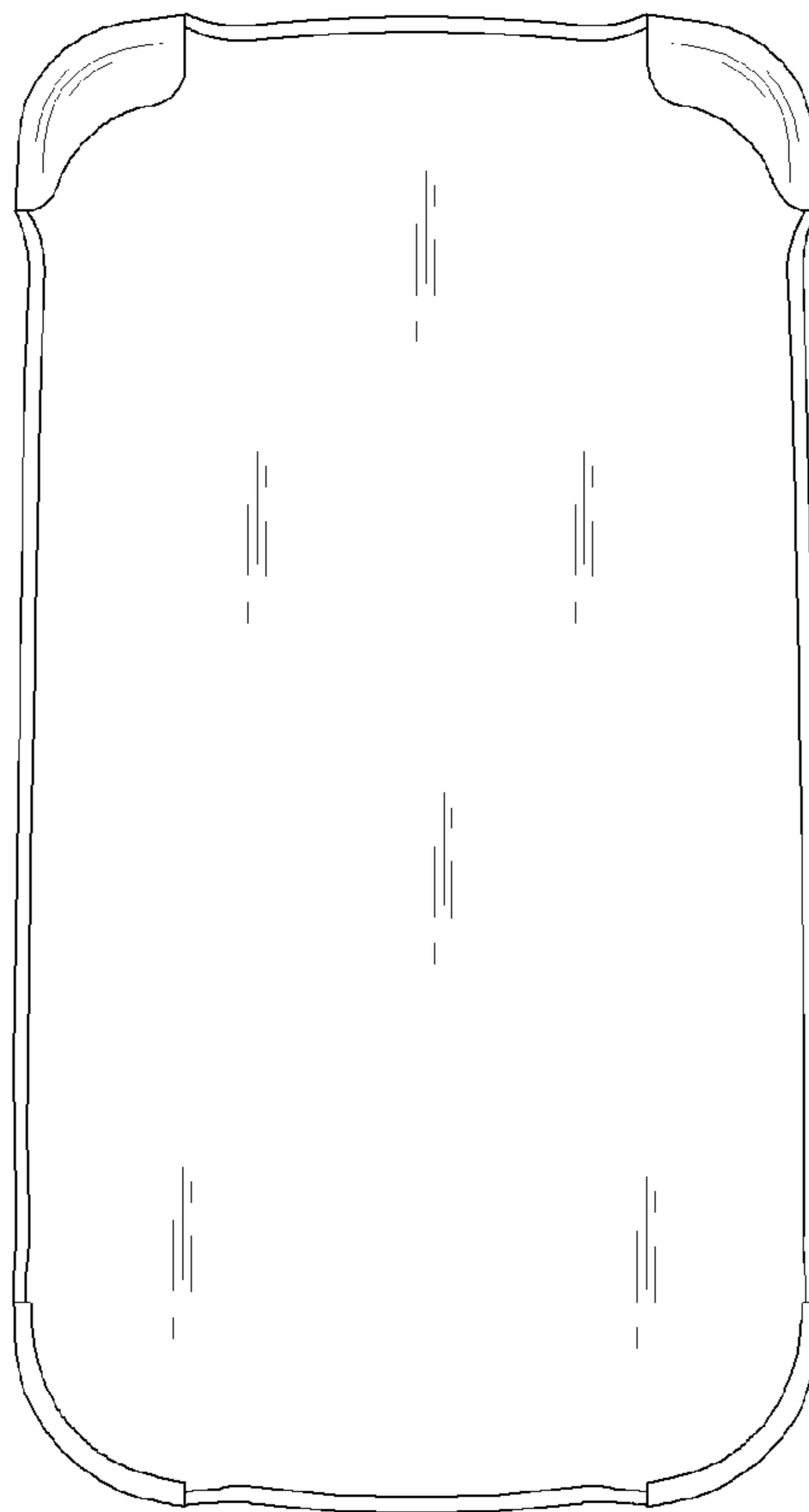


FIG. 3

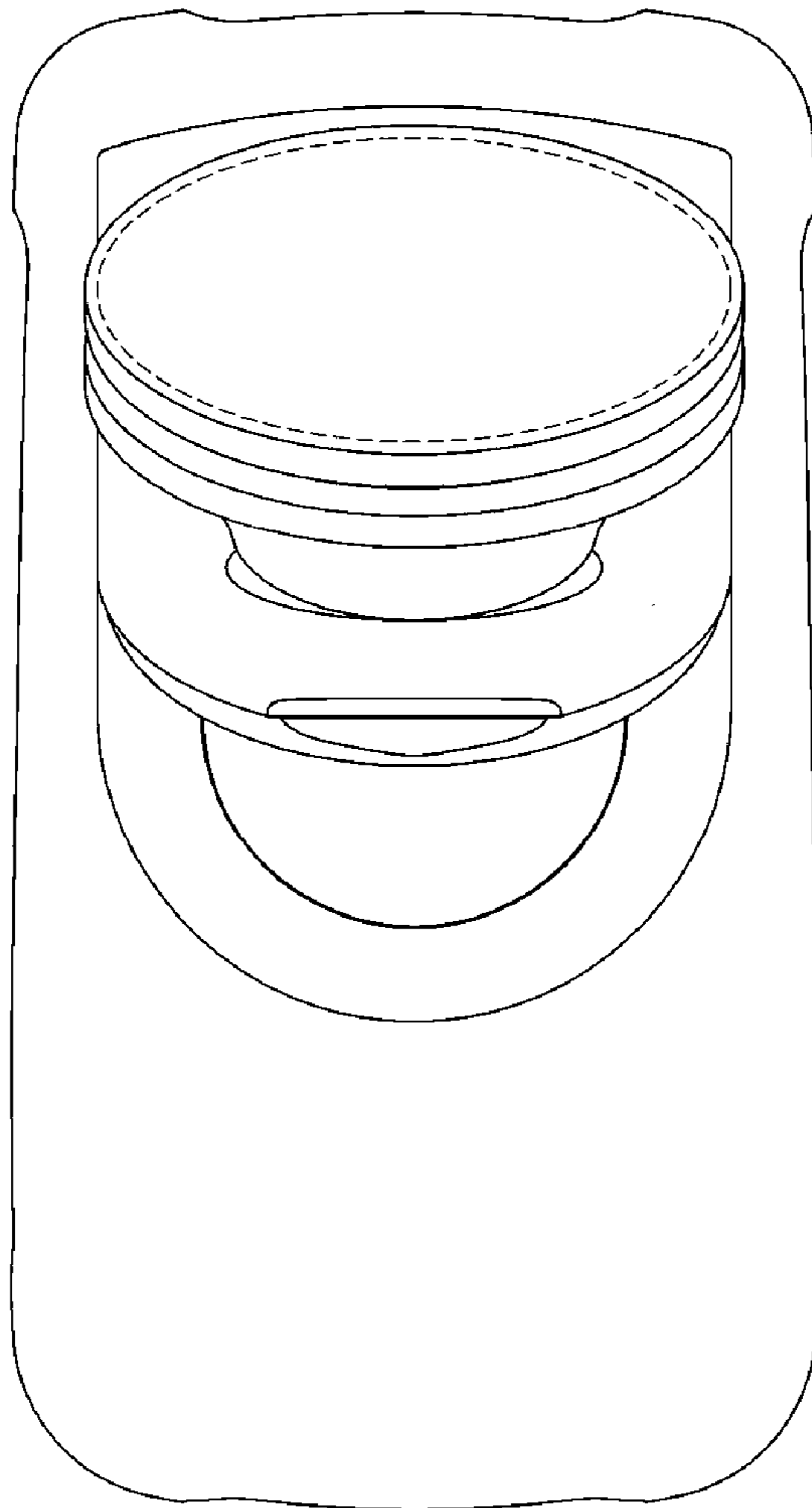


FIG. 4

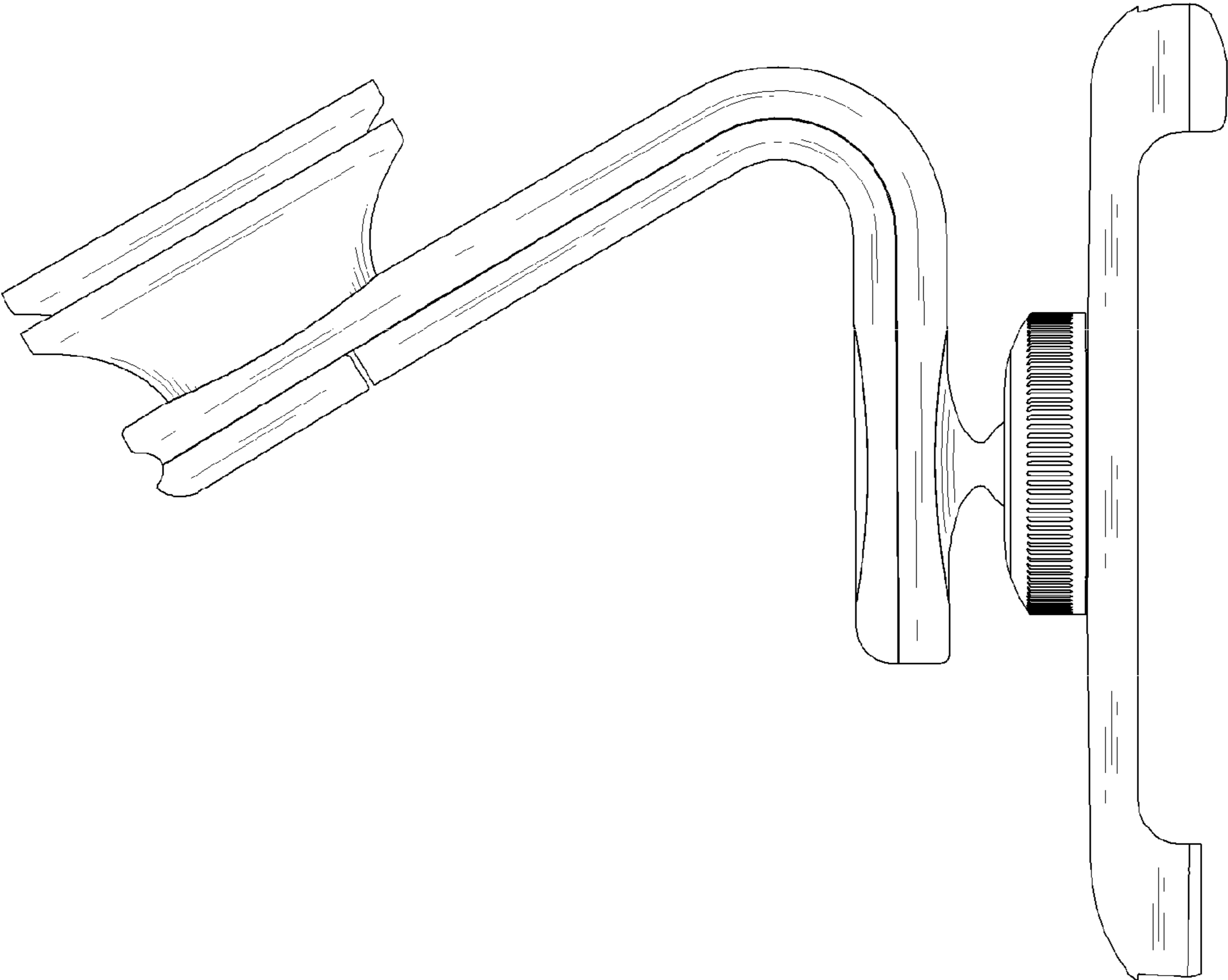


FIG. 5

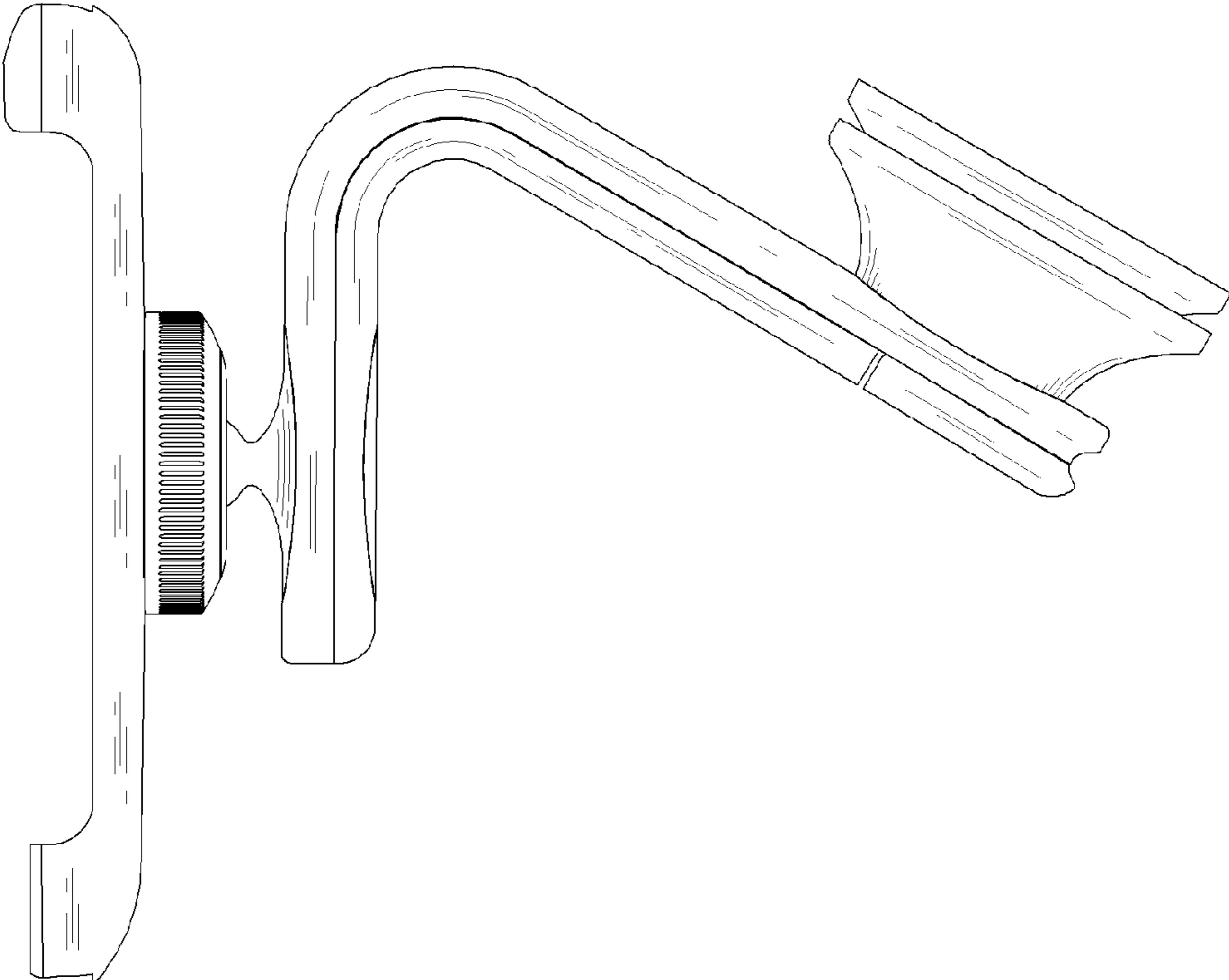


FIG. 6

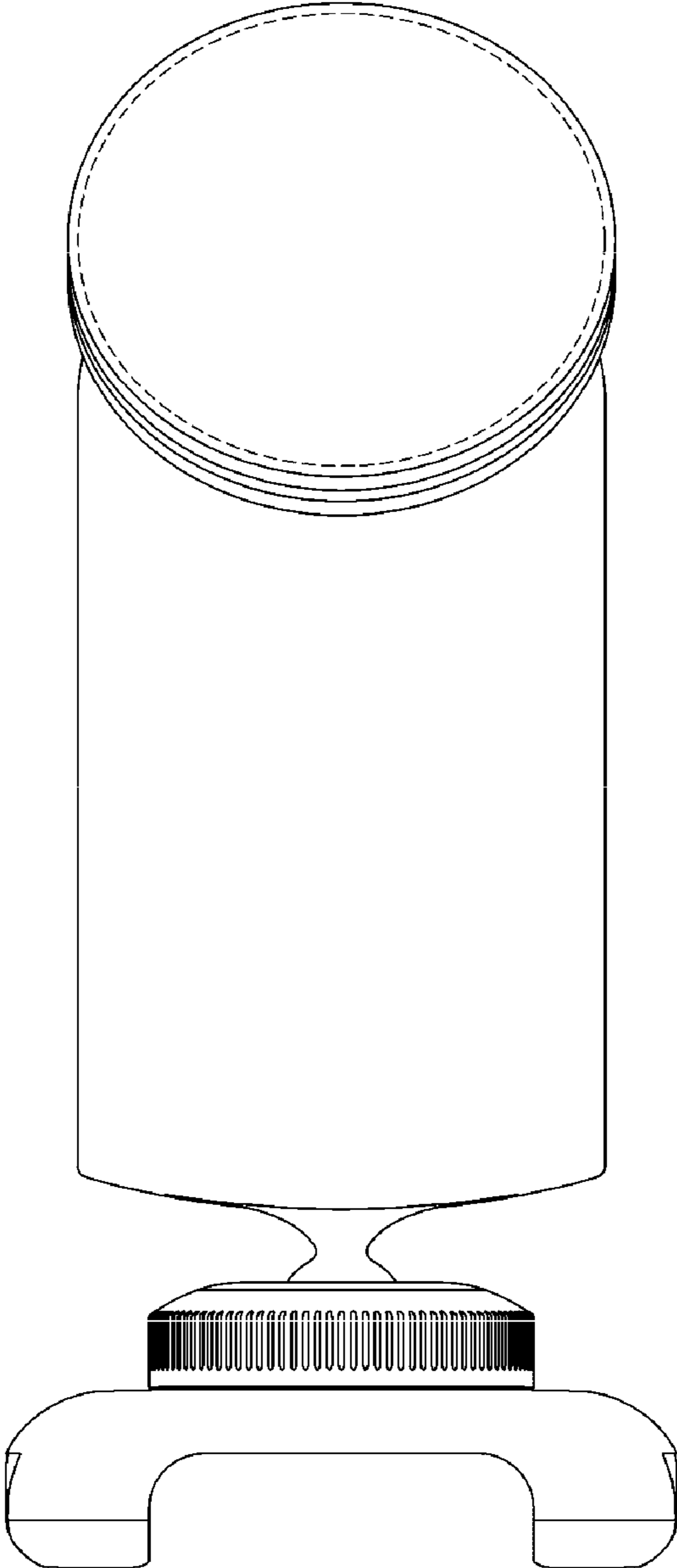


FIG. 7

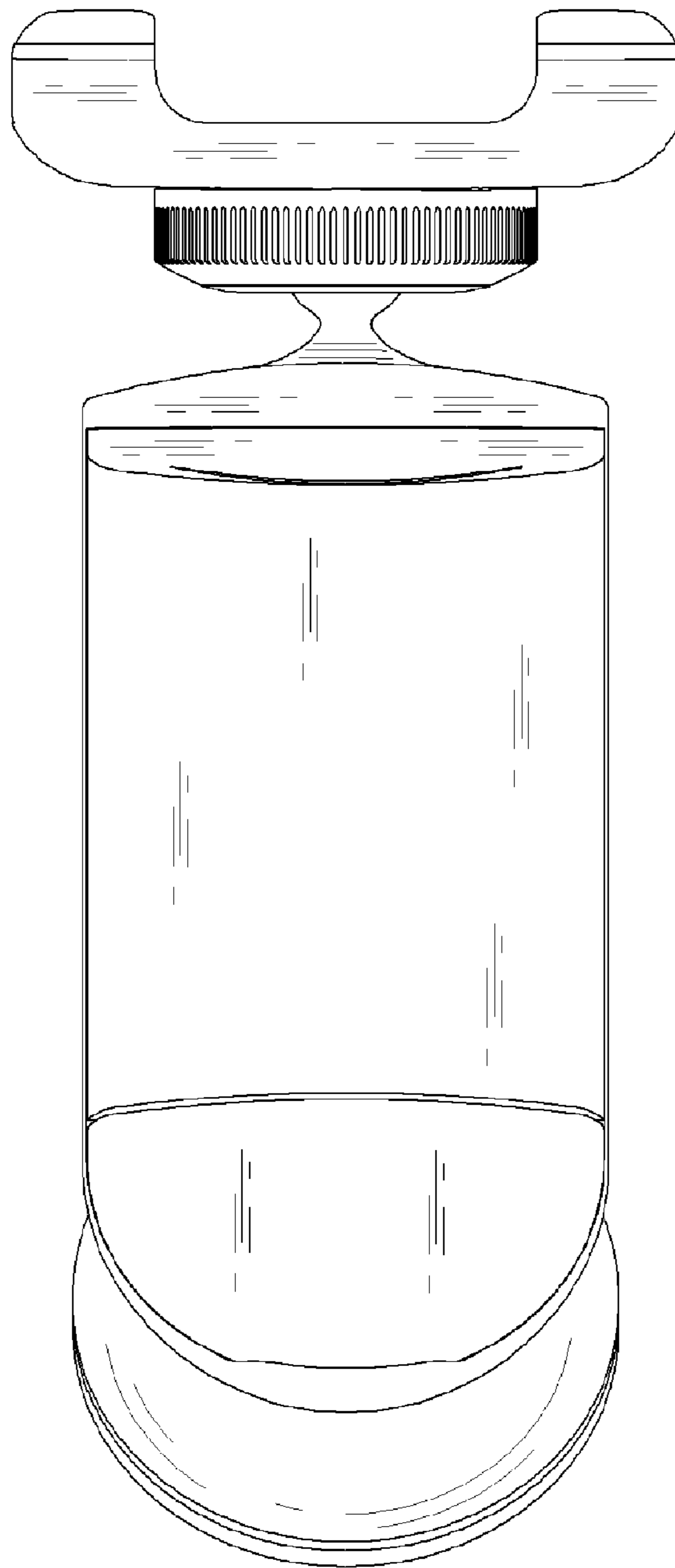


FIG. 8

