



US00D645461S

(12) **United States Design Patent**  
**Sadatsuki et al.**

(10) **Patent No.:** **US D645,461 S**

(45) **Date of Patent:** **\*\* Sep. 20, 2011**

(54) **HINGE FOR MOBILE PHONE**

(75) Inventors: **Koichi Sadatsuki**, Tokyo (JP); **Jonas Bergfelt**, Stockholm (SE); **Yosuke Shimizu**, Kanayawa-ken (JP)

(73) Assignee: **Sony Ericsson Mobile Communications AB**, Lund (SE)

(\*\*) Term: **14 Years**

(21) Appl. No.: **29/386,032**

(22) Filed: **Feb. 24, 2011**

**Related U.S. Application Data**

(62) Division of application No. 29/365,184, filed on Jul. 6, 2010.

**Foreign Application Priority Data**

Jan. 6, 2010 (JP) ..... D2010-000238  
Jan. 6, 2010 (JP) ..... D2010-000240  
Jan. 6, 2010 (JP) ..... D2010-000246

(51) **LOC (9) Cl.** ..... **14-03**

(52) **U.S. Cl.** ..... **D14/248**

(58) **Field of Classification Search** ..... D14/247-248,  
D14/138 R, 138 AD, 138 AC, 138 C, 138 G,  
D14/191, 203.1-203.8, 496, 144, 244, 432,  
D14/439, 455, 456, 138 AA, 138 AB, 137,  
D14/147, 218, 341-347; D10/65, 78, 104;  
D13/168; D18/7; 455/566, 575.1, 575.3;  
345/169

See application file for complete search history.

(56) **References Cited**

U.S. PATENT DOCUMENTS

D602,901 S \* 10/2009 Eguchi et al. .... D14/138 G  
7,622,685 B2 \* 11/2009 Miyaoka ..... 174/542  
D611,924 S \* 3/2010 Ou et al. .... D14/138 AD  
7,872,861 B2 \* 1/2011 Ou et al. .... 361/679.27  
D633,888 S \* 3/2011 Eguchi ..... D14/138 AD  
D634,294 S \* 3/2011 Dhondt ..... D14/138 AD  
2009/0061959 A1 \* 3/2009 Cheng et al. .... 455/575.3  
2009/0227301 A1 \* 9/2009 Lindvall ..... 455/575.4  
2011/0003624 A1 \* 1/2011 Jung et al. .... 455/575.4

\* cited by examiner

*Primary Examiner* — Bridget L Eland

(74) *Attorney, Agent, or Firm* — Renner, Otto, Boisselle & Sklar, LLP

(57) **CLAIM**

The ornamental design for a hinge for mobile phone, as shown and described.

**DESCRIPTION**

FIG. 1 is a rear view of a hinge for mobile phone in an environment where the mobile phone is in a slid open position;

FIG. 2 is a left side view of the hinge for mobile phone in an environment where the mobile phone is in a slid and tilted open position.

FIG. 3 is a right side view thereof;

FIG. 4 is a perspective view thereof;

FIG. 5 is a rear view thereof;

FIG. 6 is a top view thereof; and,

FIG. 7 is a another perspective view thereof.

The broken line showing of the remainder of the mobile phone is directed to environment and is for illustrative purposes only; the broken lines form no part of the claimed design.

**1 Claim, 7 Drawing Sheets**

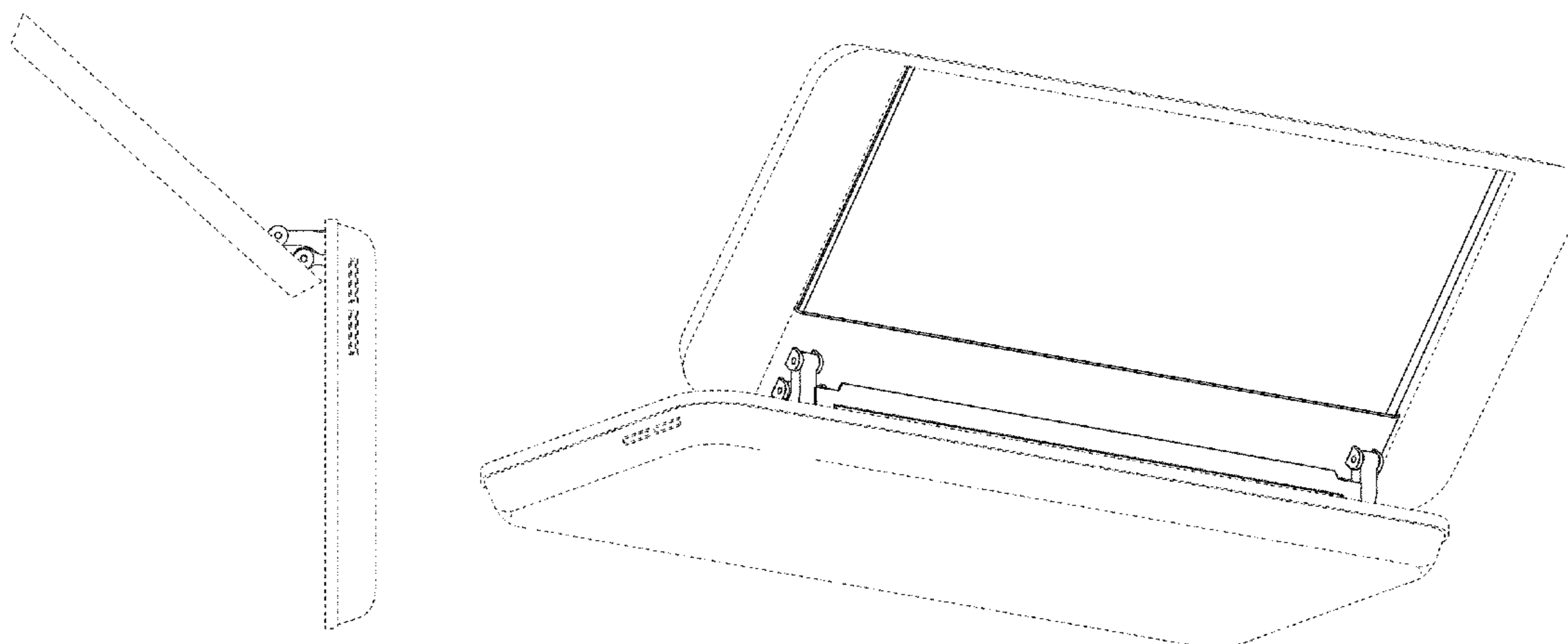




FIG. 1

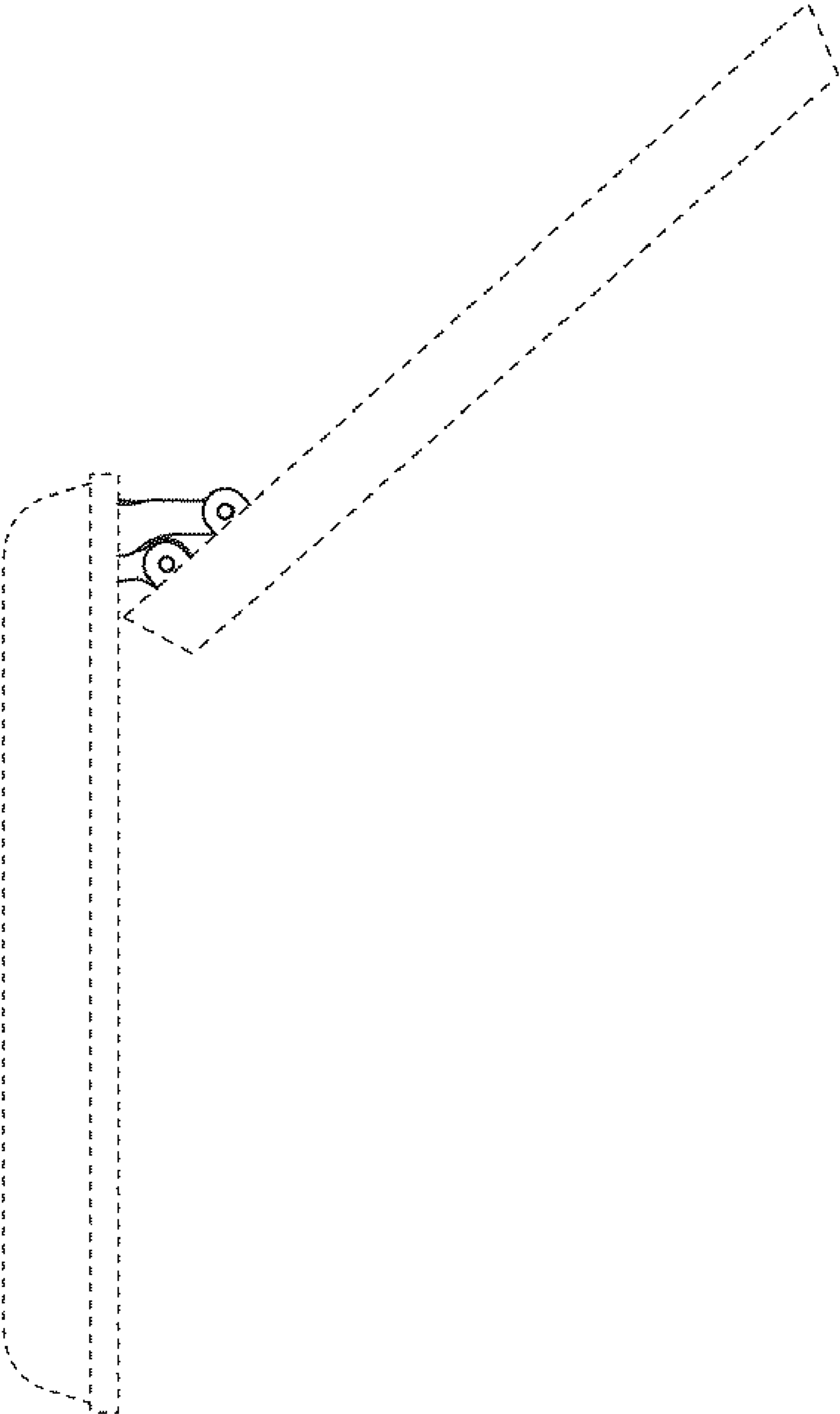


FIG. 2

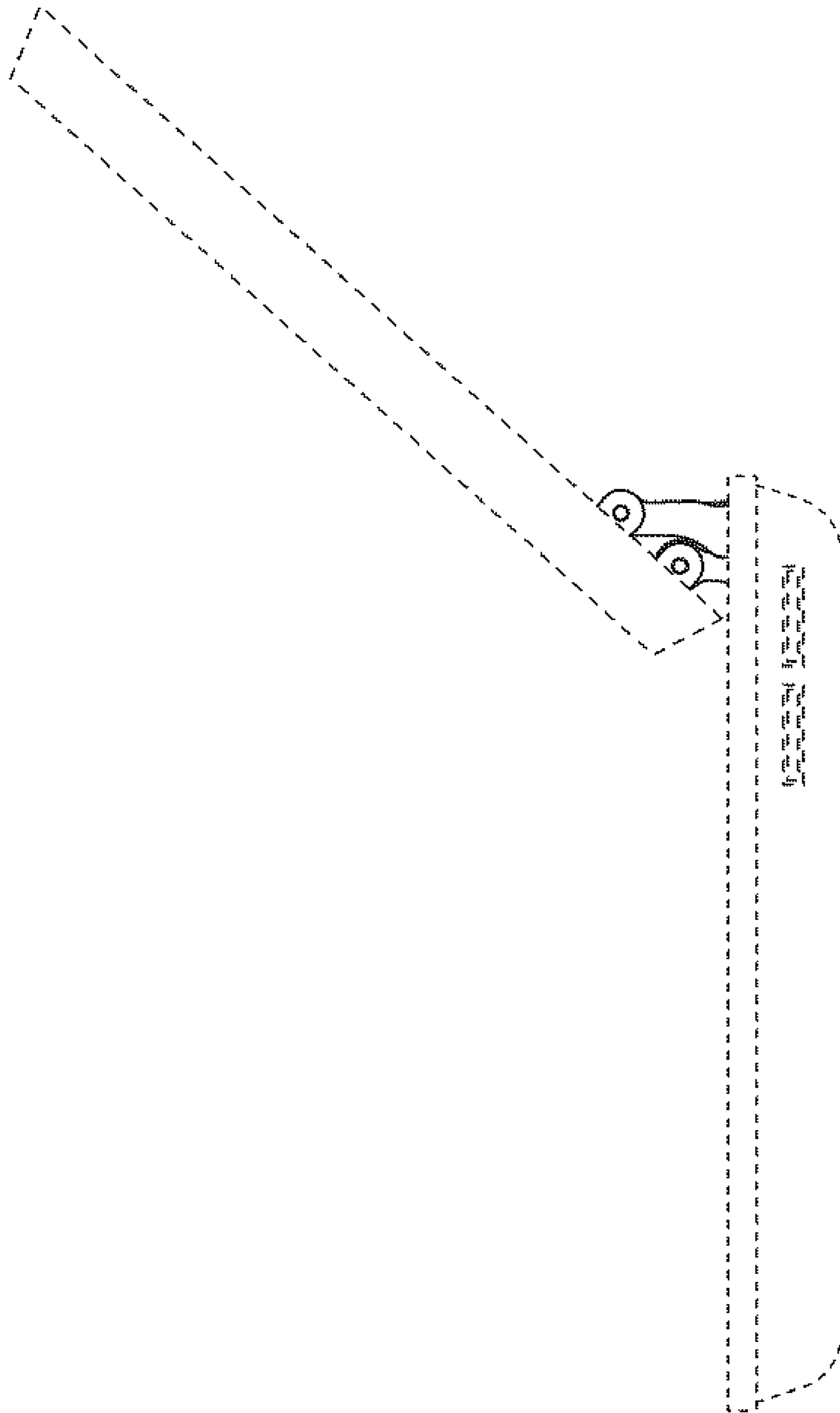


FIG. 3

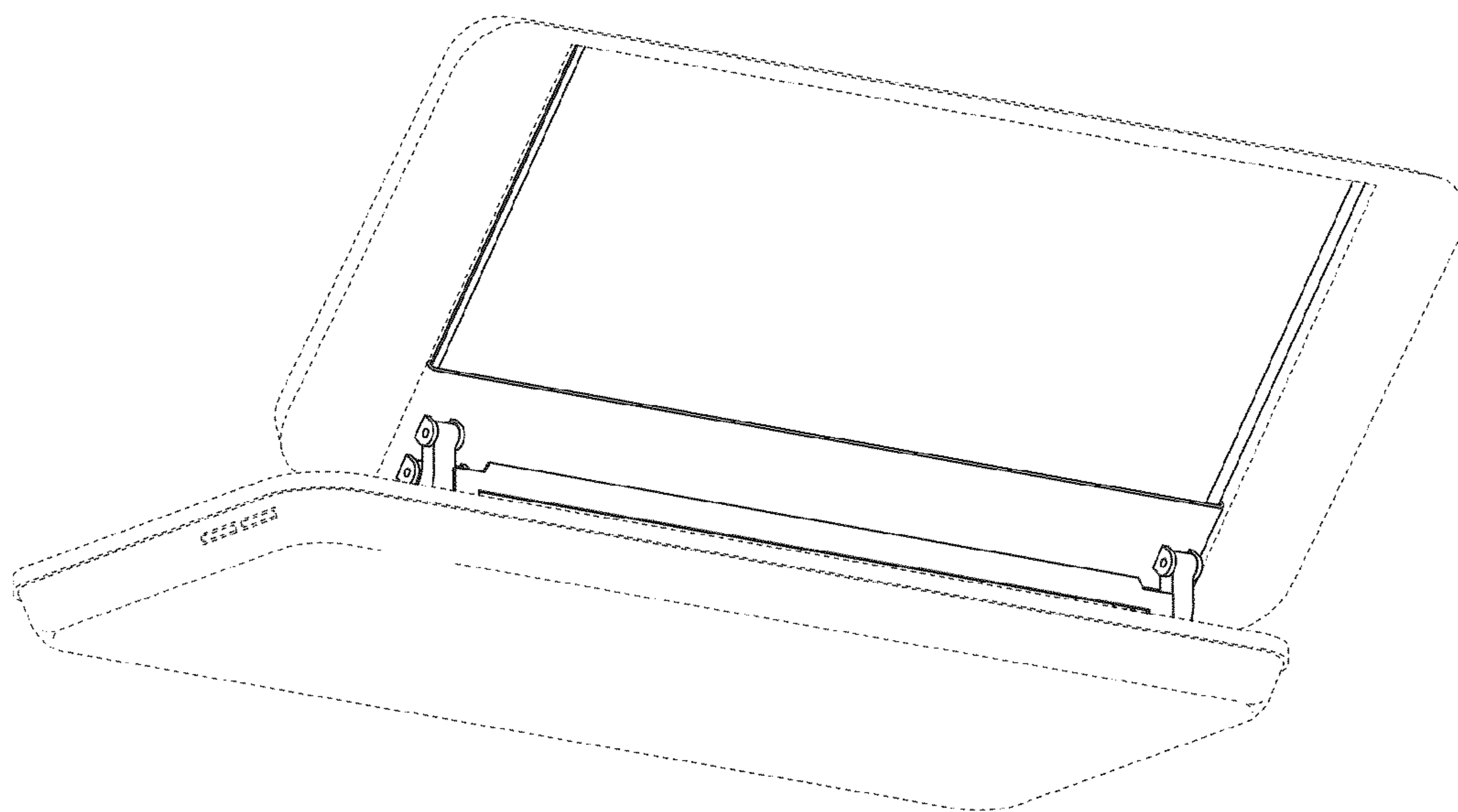


FIG. 4



FIG. 5

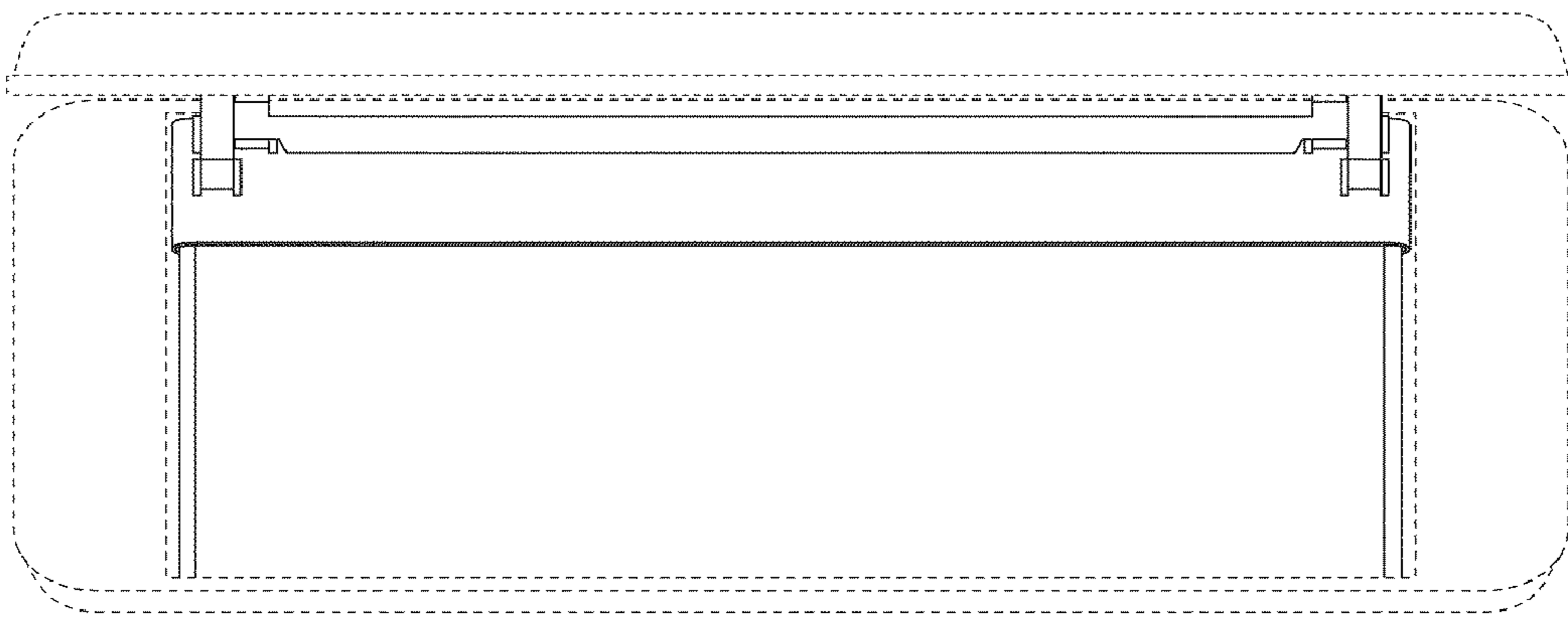


FIG. 6

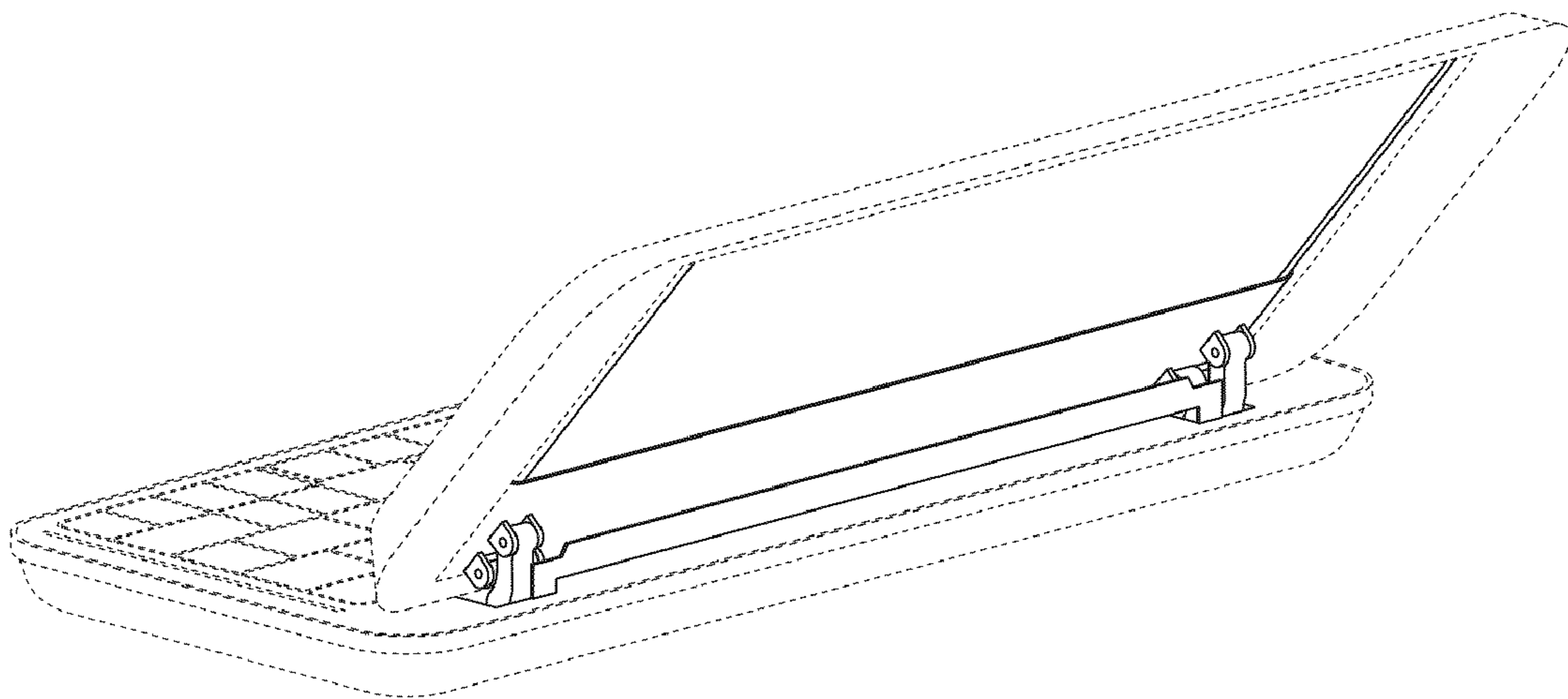


FIG. 7



UNITED STATES PATENT AND TRADEMARK OFFICE  
Certificate

Patent No. D645,461 S

Patented: September 20, 2011

On petition requesting issuance of a certificate for correction of inventorship pursuant to 35 U.S.C. 256, it has been found that the above identified patent, through error and without any deceptive intent, improperly sets forth the inventorship.

Accordingly, it is hereby certified that the correct inventorship of this patent is: Koichi Sadatsuki, Tokyo (JP).

Signed and Sealed this Seventh Day of May 2013.

IAN SIMMONS  
*Supervisory Patent Examiner*  
Art Unit 2916  
Technology Center 2900