



US00D645456S

(12) **United States Design Patent**
Carr et al.

(10) **Patent No.:** **US D645,456 S**
(45) **Date of Patent:** **** Sep. 20, 2011**

(54) **HEADSET**

(75) Inventors: **Adam A. Carr**, Marlborough, MA (US);
David H. Pitcher, Worcester, MA (US);
Nathan David Schaal, Cambridge, MA
(US); **Julie E. Tierney**, Shrewsbury, MA
(US); **Michael E. Laude**, Upton, MA
(US)

(73) Assignee: **Bose Corporation**, Framingham, MA
(US)

(**) Term: **14 Years**

(21) Appl. No.: **29/367,608**

(22) Filed: **Aug. 10, 2010**

(51) **LOC (9) Cl.** **14-01**

(52) **U.S. Cl.** **D14/223**

(58) **Field of Classification Search** D14/205,
D14/206, 223, 138, 149, 188, 167; 181/129,
181/130, 135; 379/429, 430, 433.01, 433.04,
379/433.11, 434; 381/380, 381; 455/90.3,
455/575.1, 569.1

See application file for complete search history.

(56) **References Cited**

U.S. PATENT DOCUMENTS

D274,814 S * 7/1984 Tang D14/192
5,548,643 A * 8/1996 Dalgleish et al. 379/429
D473,204 S * 4/2003 Tanio D14/167
D525,962 S * 8/2006 Elson D14/149

D538,271 S * 3/2007 Kim et al. D14/223
D566,099 S * 4/2008 Komiyama D14/206
D575,277 S * 8/2008 Gaarde et al. D14/223
D582,397 S * 12/2008 Christopher D14/223
D582,398 S * 12/2008 Nam et al. D14/223
D584,284 S 1/2009 Carr et al.
D584,294 S * 1/2009 Nam et al. D14/223
D589,945 S * 4/2009 Esses D14/223
D596,164 S * 7/2009 Henning D14/223
D602,476 S * 10/2009 Lee et al. D14/223
D618,221 S * 6/2010 Fahrendorff et al. D14/223
D620,927 S * 8/2010 Li D14/223
7,778,410 B2 * 8/2010 Liu et al. 379/430
D633,481 S * 3/2011 Chen D14/223
D634,305 S * 3/2011 Hoggarth D14/223

* cited by examiner

Primary Examiner — Paula Greene

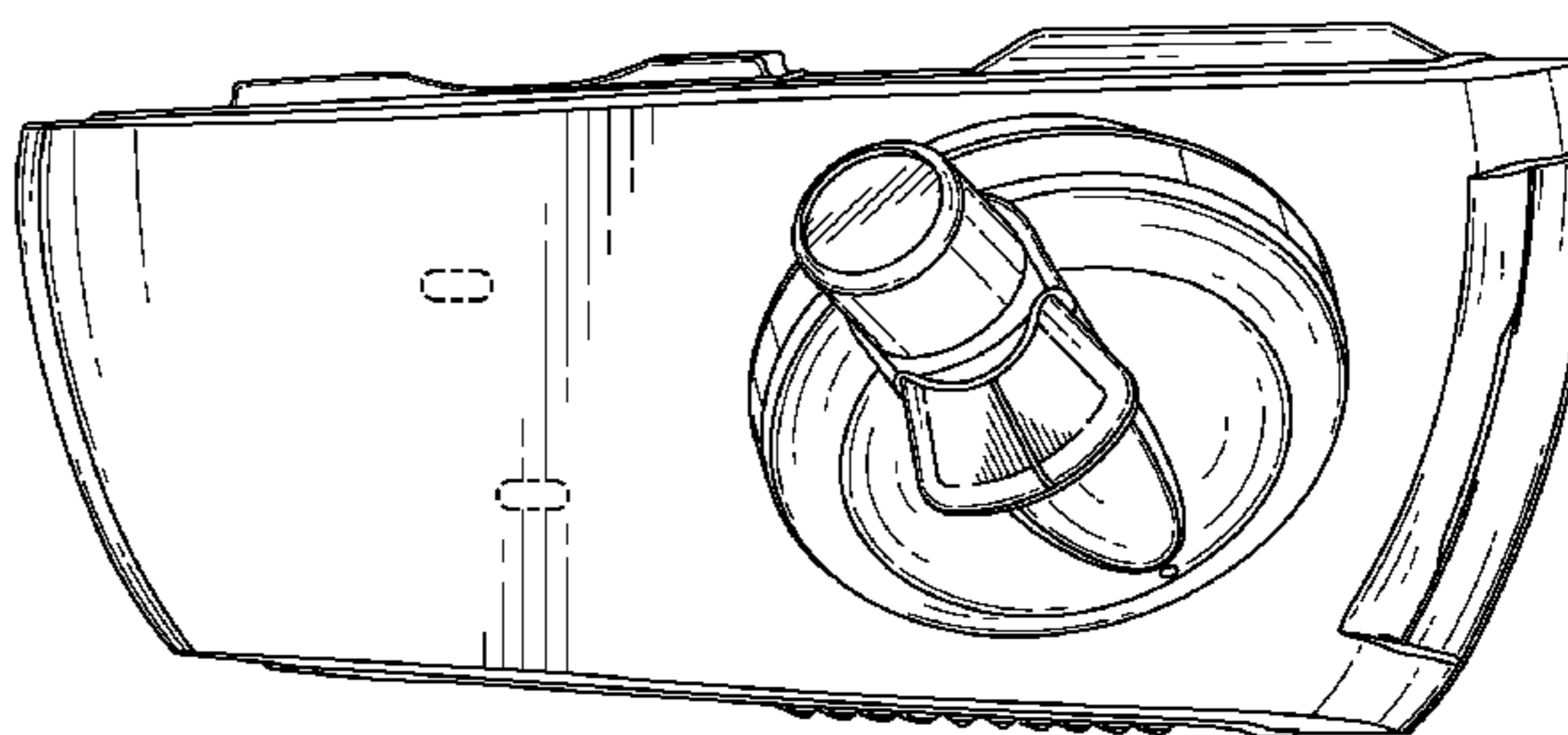
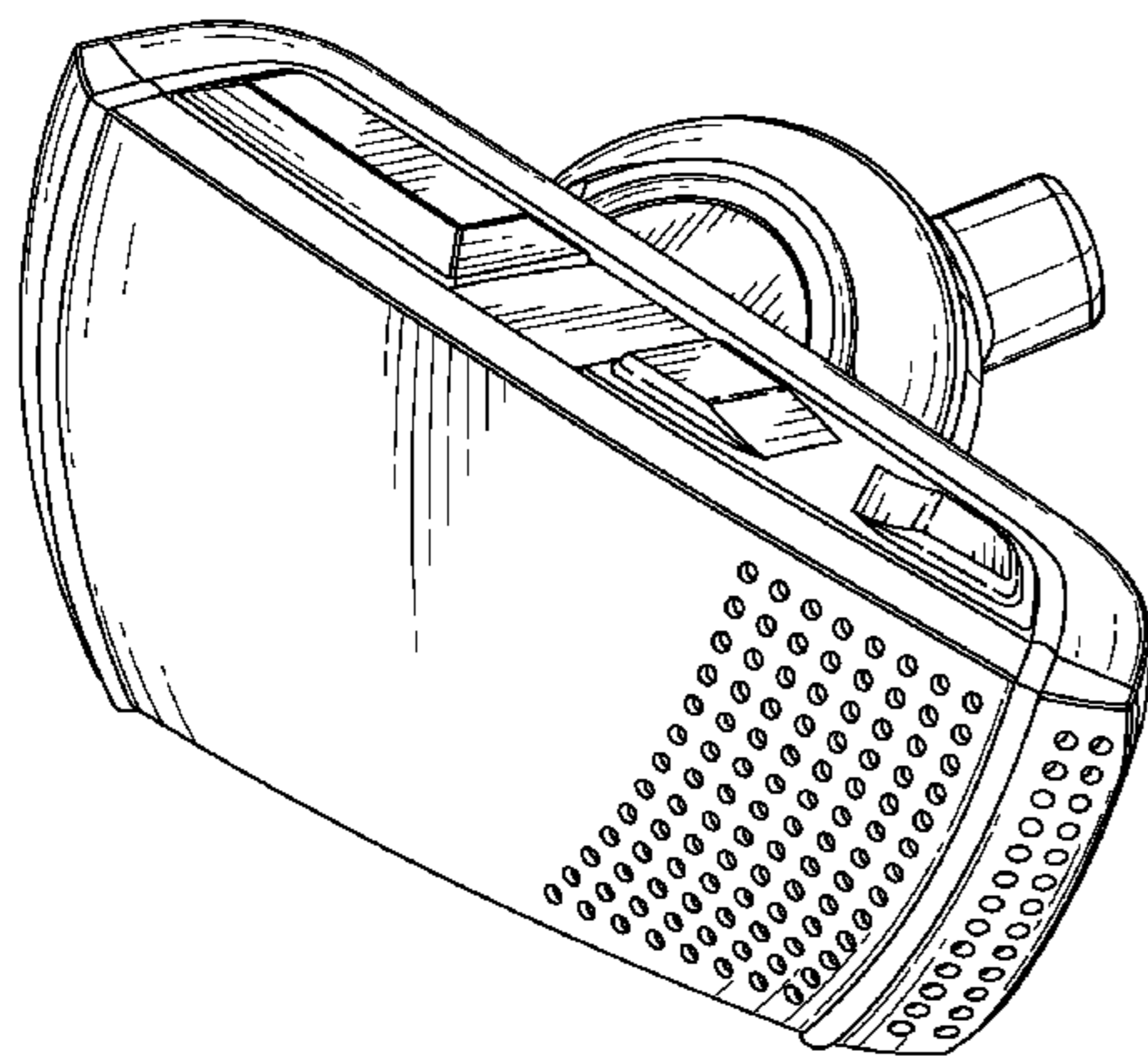
(57) **CLAIM**

The ornamental design for a headset, substantially as shown and described.

DESCRIPTION

FIG. 1 is a perspective view of a headset as seen from the front, top and right side;
FIG. 2 is a front view thereof;
FIG. 3 is a back view thereof;
FIG. 4 is a top view thereof;
FIG. 5 is a bottom view thereof;
FIG. 6 is a left side view thereof; and,
FIG. 7 is a right side view thereof.
The broken lines form no part of the claimed design.

1 Claim, 6 Drawing Sheets



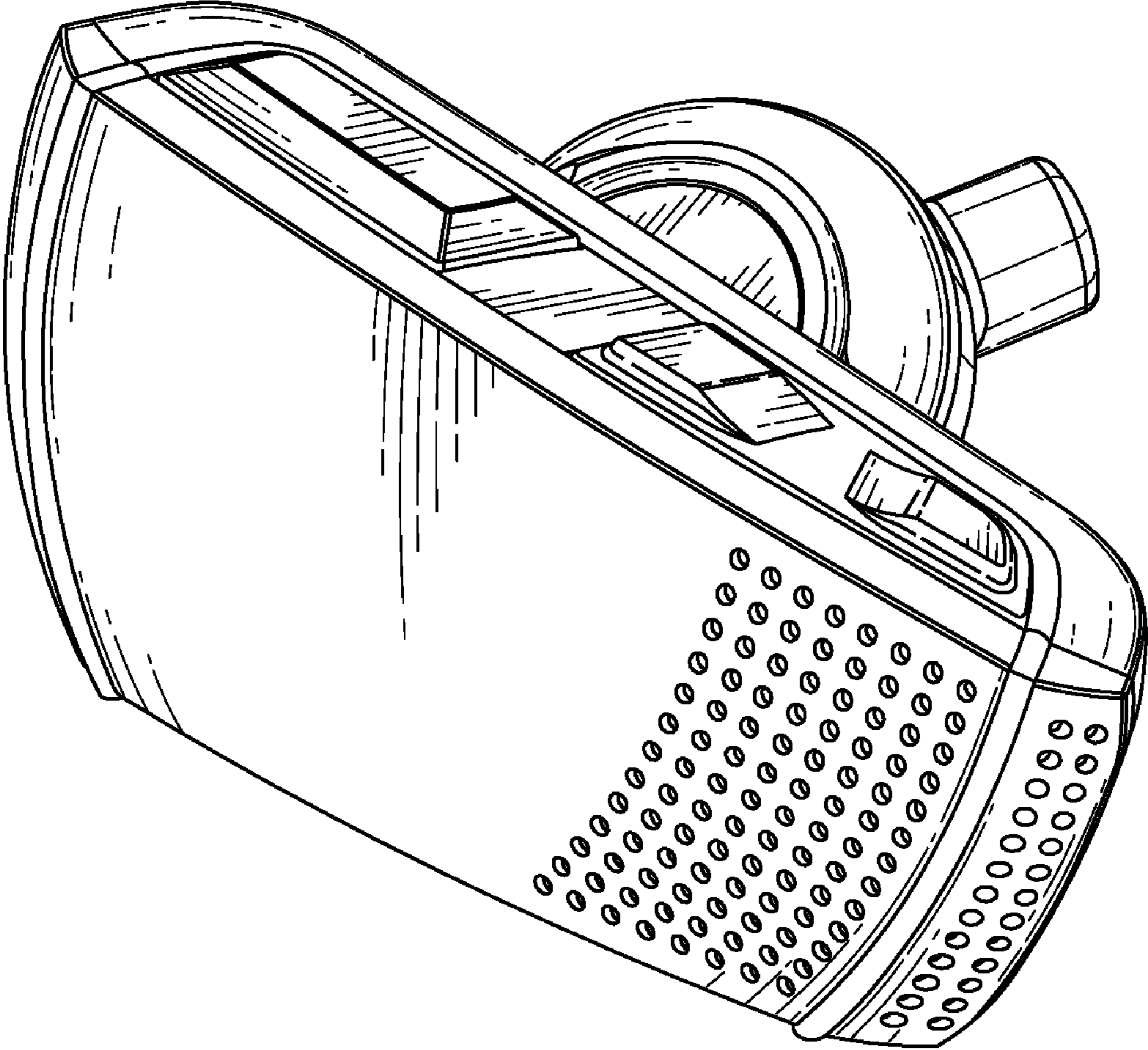


FIG. 1

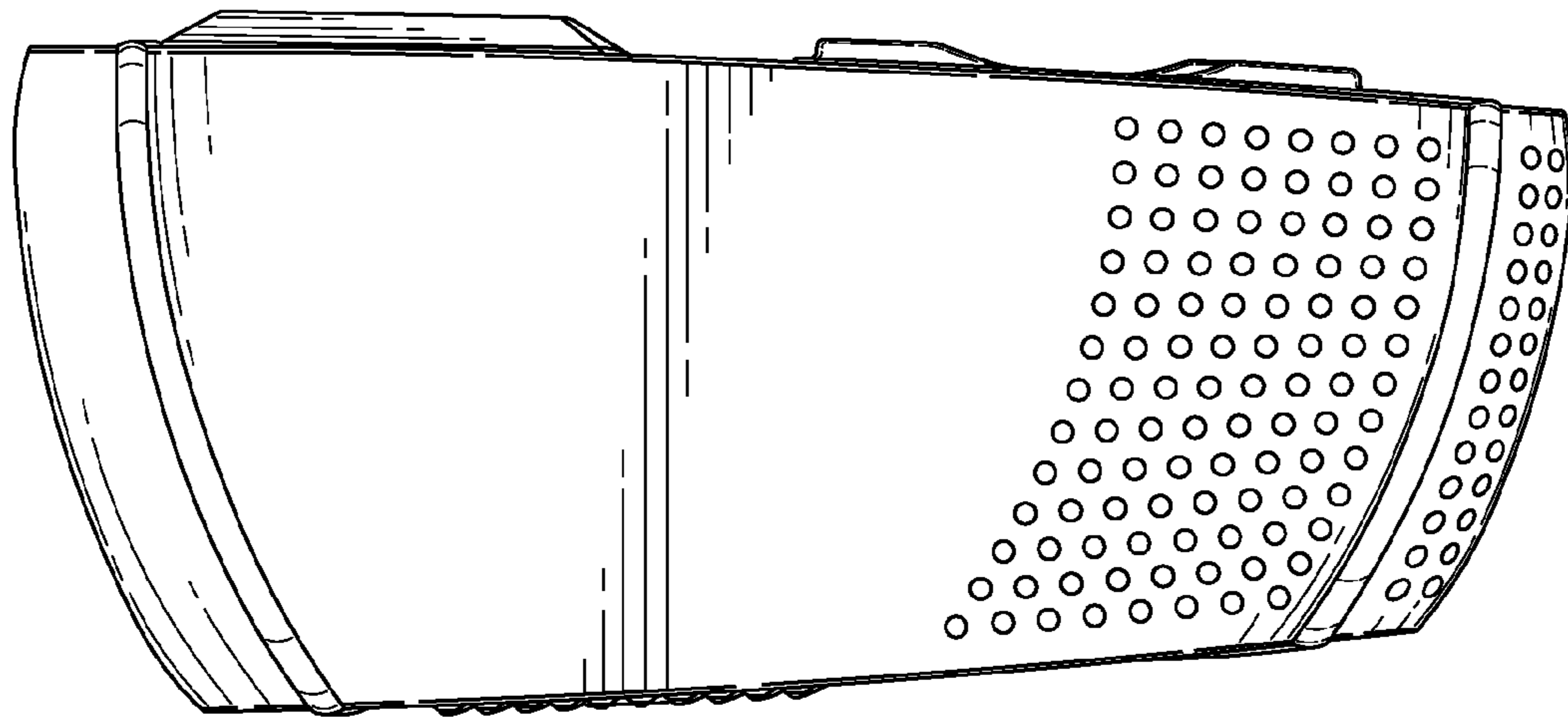


FIG. 2

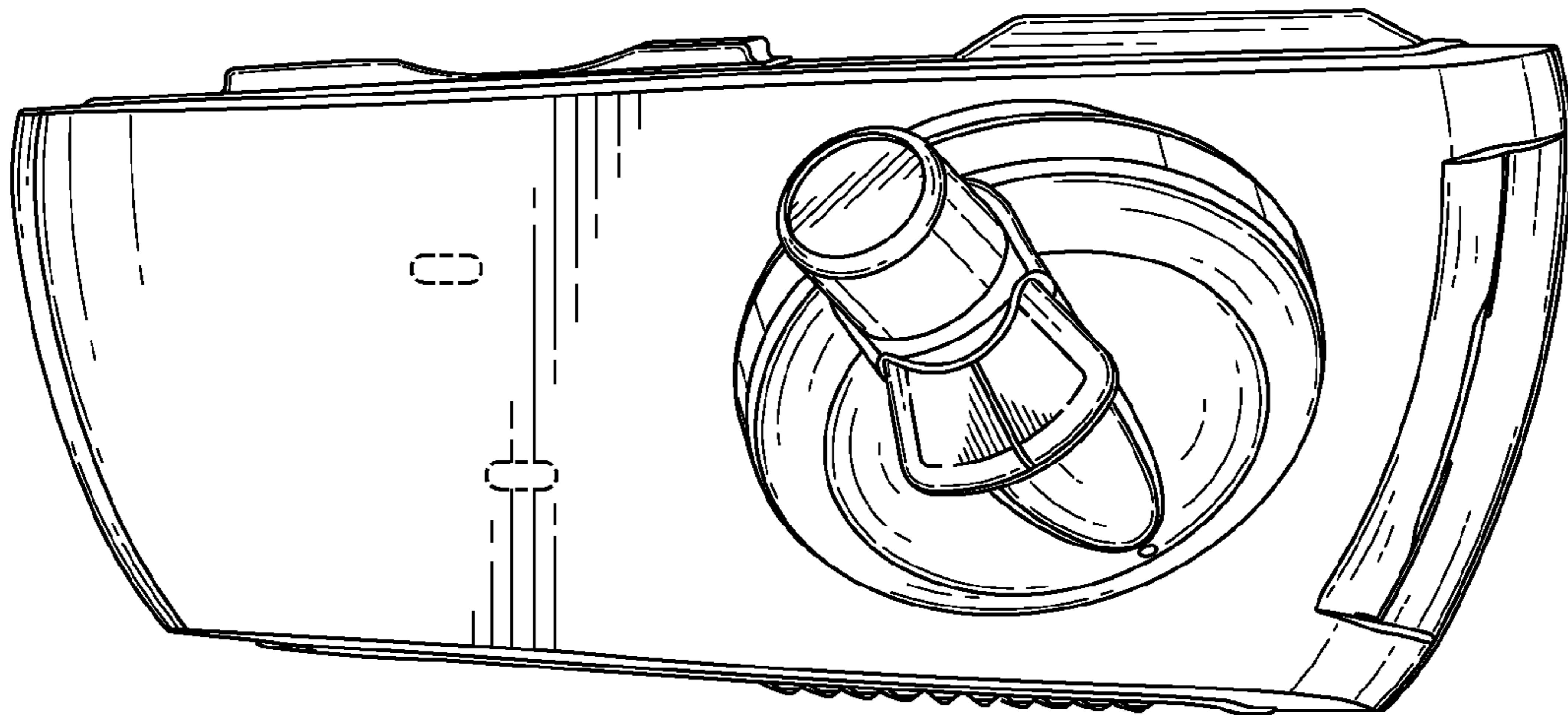


FIG. 3

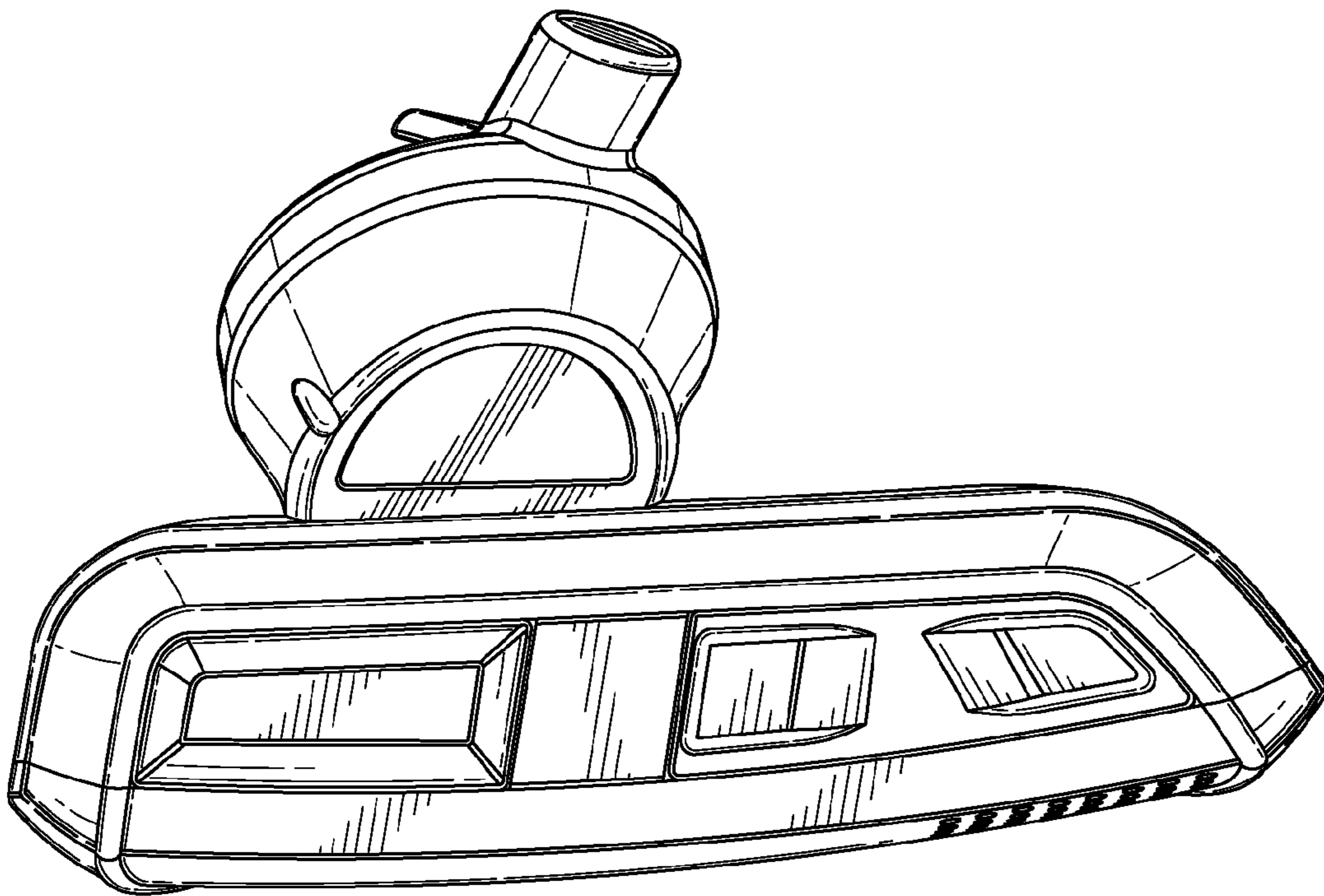


FIG. 4

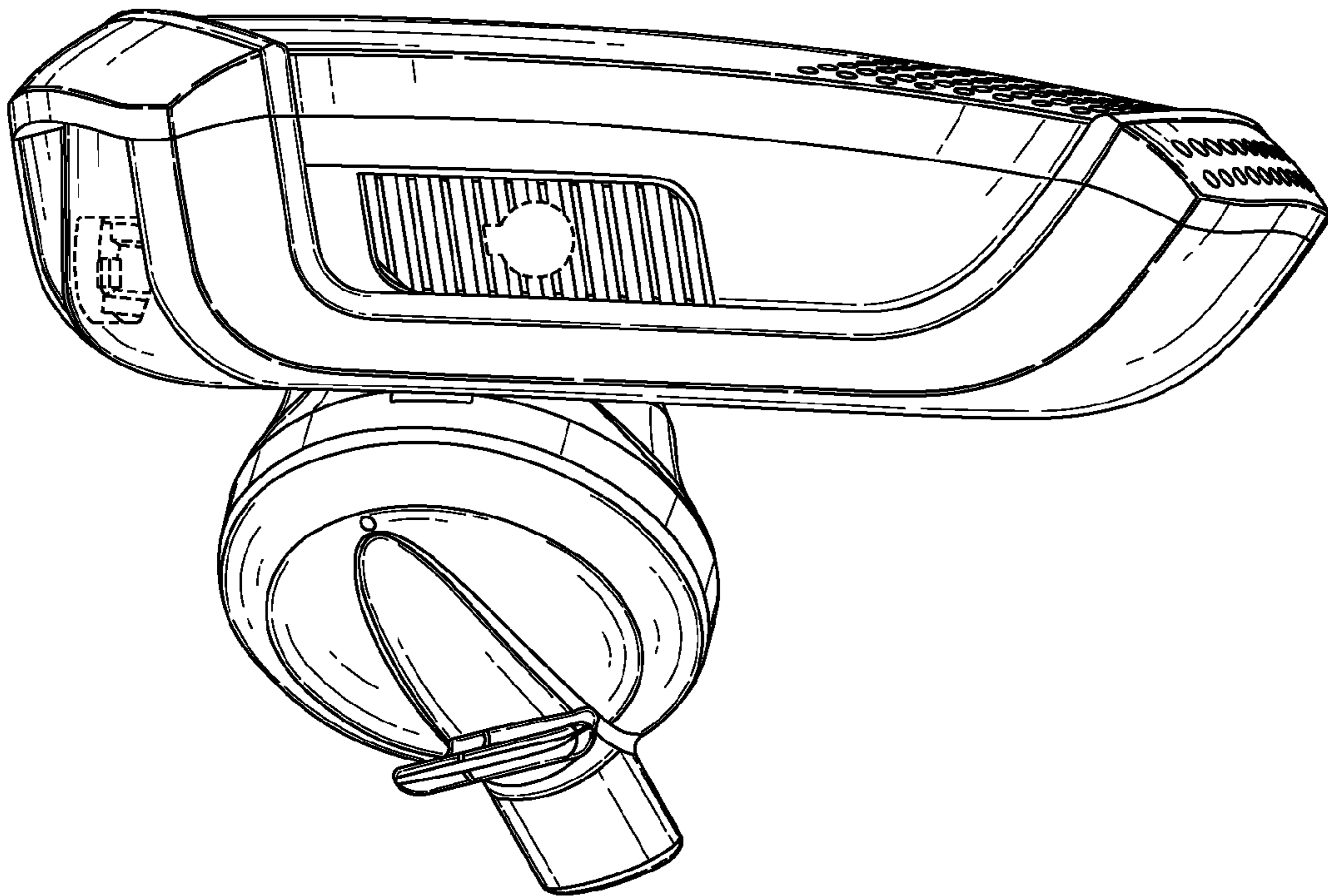


FIG. 5

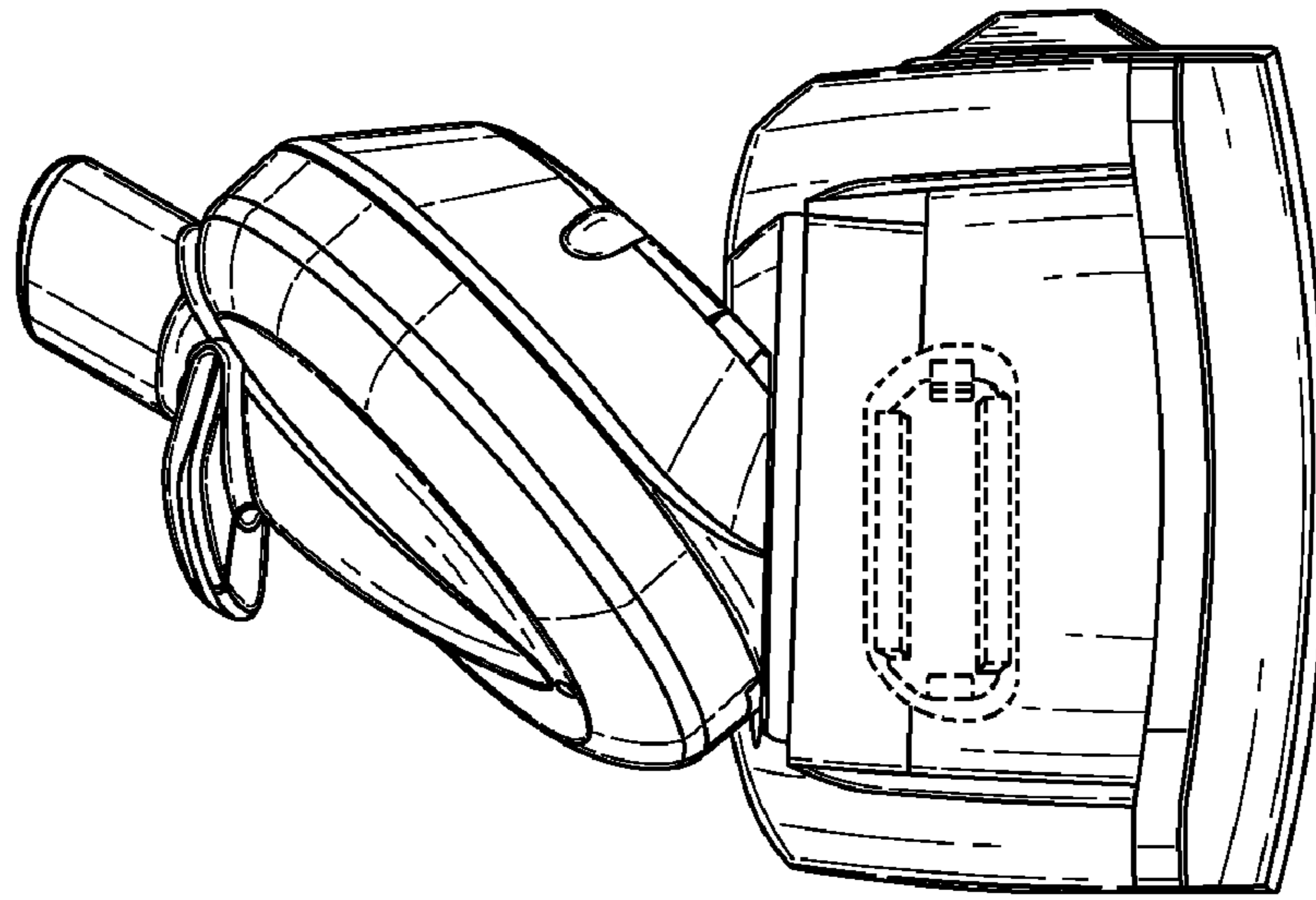


FIG. 6

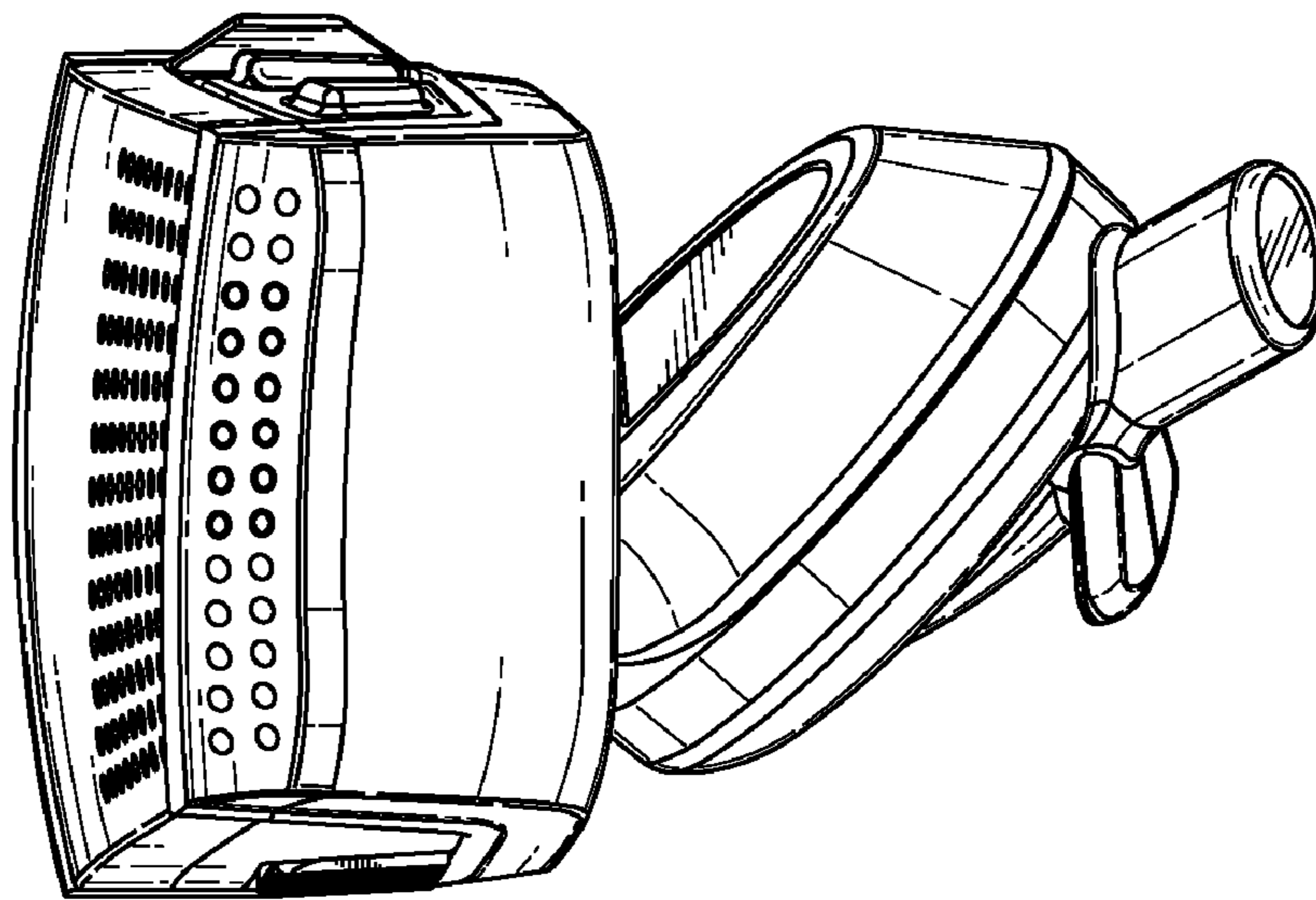


FIG. 7