



US00D645455S

(12) **United States Design Patent**
Manhard et al.

(10) **Patent No.:** **US D645,455 S**
(45) **Date of Patent:** **** Sep. 20, 2011**

(54) **EARPIECE**

(76) Inventors: **John L. Manhard**, Durham, NC (US);
Matthew J. Morton, Holly Springs, NC (US)

(**) Term: **14 Years**

(21) Appl. No.: **29/367,589**

(22) Filed: **Aug. 10, 2010**

(51) **LOC (9) Cl.** **14-01**

(52) **U.S. Cl.** **D14/223**

(58) **Field of Classification Search** D14/205,
D14/206, 223; 379/430, 420.04; 381/380,
381/381; 181/129, 130, 135; D24/106, 174;
128/864, 865; 455/90.3, 569.1, 575.1
See application file for complete search history.

(56) **References Cited**

U.S. PATENT DOCUMENTS

1,893,474	A *	1/1933	Lieber	381/380
2,325,590	A *	7/1943	Carlisle et al.	381/328
D141,071	S *	5/1945	Hechler	D24/174
2,549,629	A *	4/1951	Nelson	381/338
2,584,402	A *	2/1952	Volkman	181/129
2,787,670	A *	4/1957	Rowland	381/324
3,047,089	A *	7/1962	Zwislocki	181/135
3,368,644	A *	2/1968	Henderson	181/129
3,415,246	A *	12/1968	Hill	128/864
3,565,069	A *	2/1971	Miller	128/867
D221,442	S *	8/1971	Feingold	D24/174
D266,590	S *	10/1982	Bennett	D24/174
4,375,016	A *	2/1983	Harada	181/135
4,652,414	A *	3/1987	Schlaegel	264/154
4,878,560	A *	11/1989	Scott	181/130
D340,286	S *	10/1993	Seo	D24/174
5,298,692	A *	3/1994	Ikeda et al.	181/135
D388,093	S *	12/1997	Frengley	D14/223
D399,001	S *	9/1998	Yabe et al.	D24/174

(Continued)

Primary Examiner — Paula Greene

(74) *Attorney, Agent, or Firm* — Myers Bigel Sibley & Sajovec

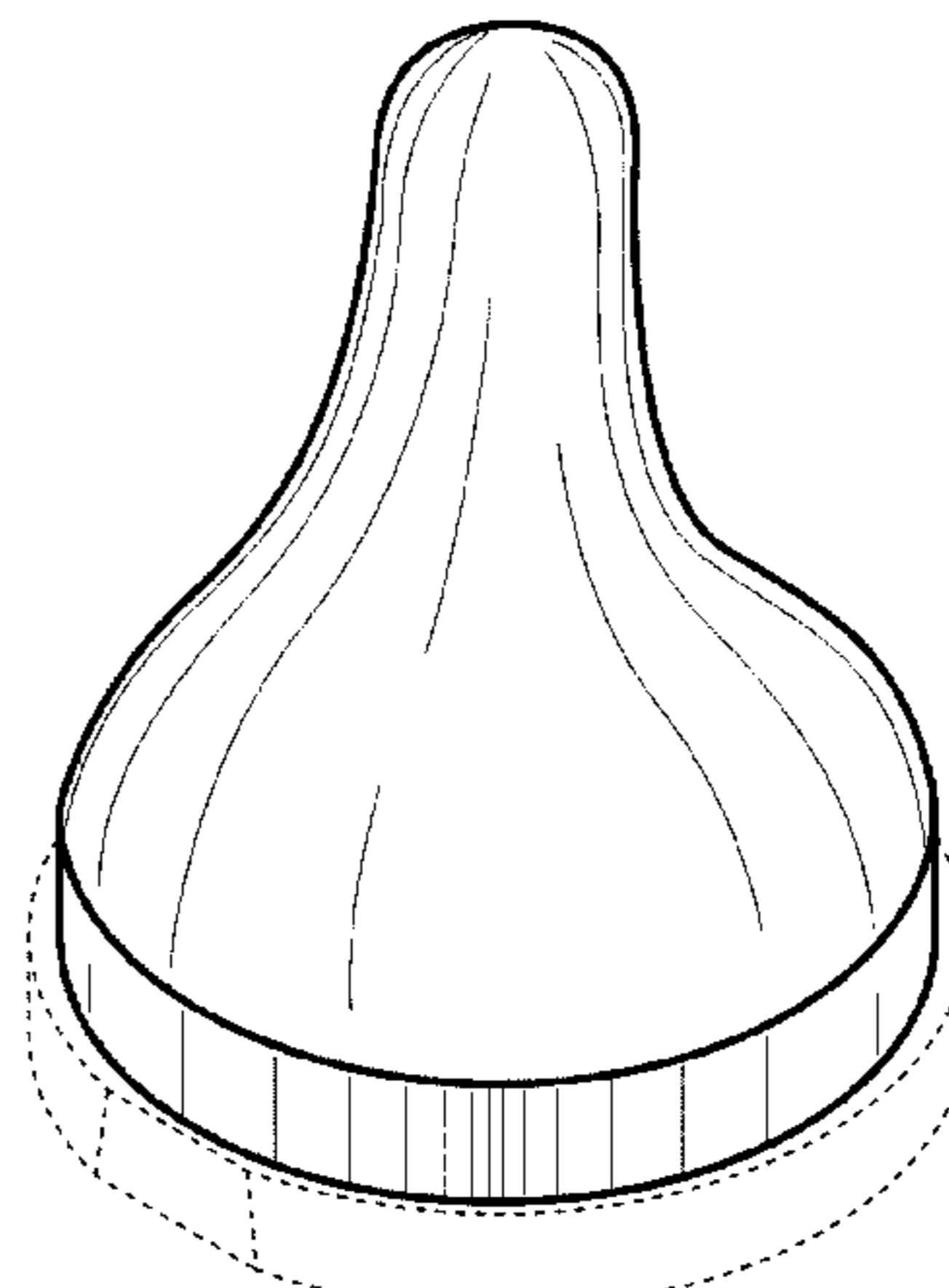
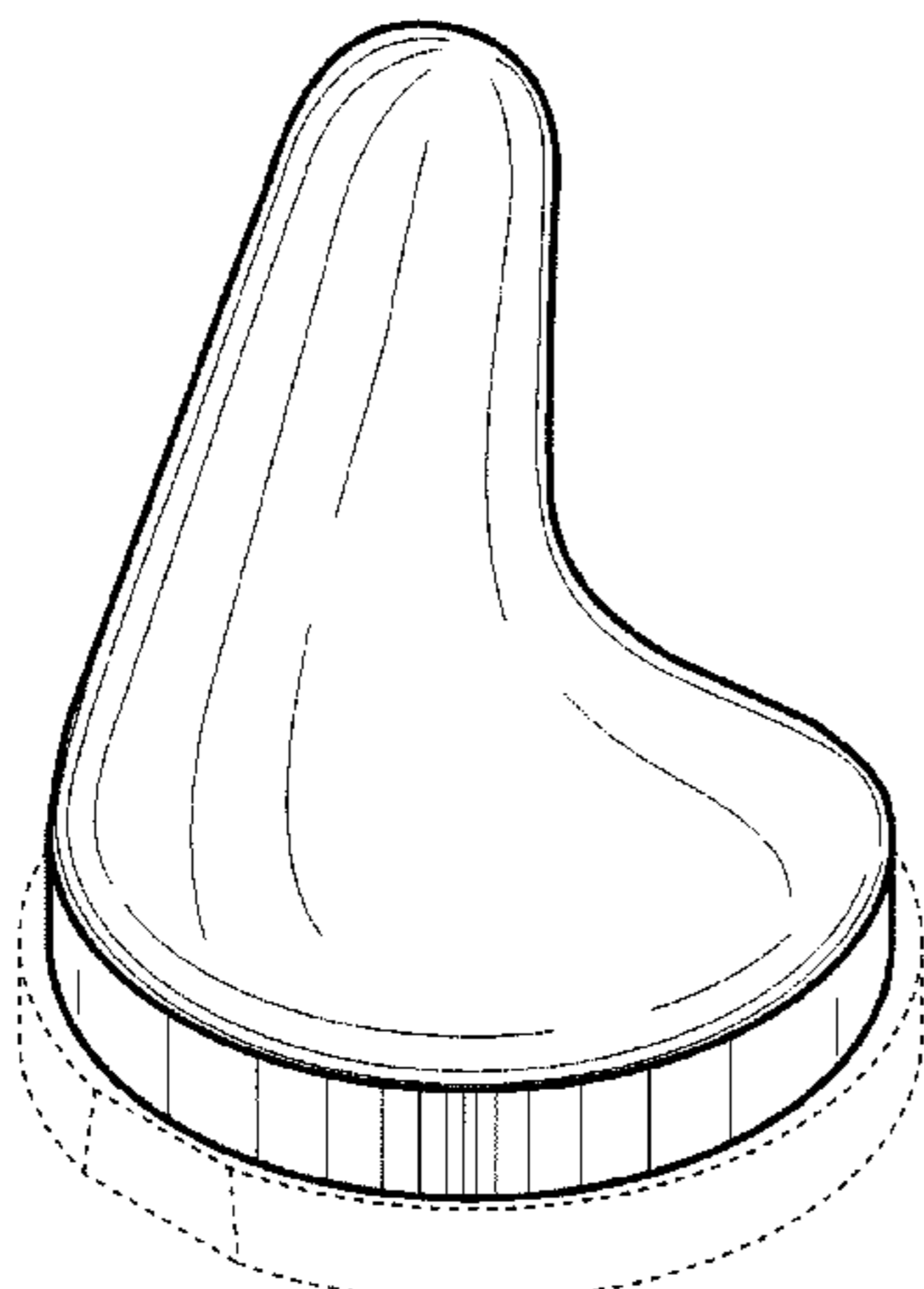
(57) **CLAIM**

The ornamental design for an earpiece, as shown and described.

DESCRIPTION

FIG. 1 is a front left perspective view of a first embodiment of an earpiece showing our design;
 FIG. 2 is a left side view thereof;
 FIG. 3 is a front view thereof;
 FIG. 4 is a right side view thereof;
 FIG. 5 is a rear view thereof;
 FIG. 6 is a top view thereof;
 FIG. 7 is a bottom view thereof;
 FIG. 8 is a front right perspective view thereof;
 FIG. 9 is an environmental view of both the first embodiment and a second embodiment of an earpiece showing our design;
 FIG. 10 is a front left perspective view of a second embodiment of an earpiece showing our design;
 FIG. 11 left side view thereof;
 FIG. 12 is a front view thereof;
 FIG. 13 is a right side view thereof;
 FIG. 14 is a rear view thereof;
 FIG. 15 is a top view thereof;
 FIG. 16 is a bottom view thereof;
 FIG. 17 is a front right perspective view thereof;
 FIG. 18 is an environmental view of both the second embodiment of an earpiece showing our design;
 FIG. 19 is a front left perspective view of a third embodiment of an earpiece showing our design;
 FIG. 20 is a left side view thereof;
 FIG. 21 is a front view thereof;
 FIG. 22 is a right side view thereof;
 FIG. 23 is a rear view thereof;
 FIG. 24 is a top view thereof;
 FIG. 25 is a bottom view thereof;
 FIG. 26 is a front right perspective view thereof;
 FIG. 27 is a an environmental view of the third embodiment of an earpiece showing our design;
 FIG. 28 is a front left perspective view of a fourth embodiment of an earpiece showing our design;
 FIG. 29 is a left side view thereof;
 FIG. 30 is a front view thereof;
 FIG. 31 is a right side view thereof;
 FIG. 32 is a rear view thereof;
 FIG. 33 is a top view thereof;
 FIG. 34 is a bottom view thereof;
 FIG. 35 is a front right perspective view thereof; and,
 FIG. 36 is a an environmental view of the fourth embodiment of an earpiece showing our design.
 The broken lines shown herein are for illustrative purposes only and form no part of the claimed design.

1 Claim, 12 Drawing Sheets



US D645,455 S

Page 2

U.S. PATENT DOCUMENTS

D402,661 S *	12/1998	Hayashi	D14/223	D532,770 S *	11/2006	Engstrom et al.	D14/205
D444,237 S *	6/2001	Stone	D24/173	D574,361 S *	8/2008	Sasaki	D14/205
D478,991 S *	8/2003	Dyer et al.	D24/174	D577,689 S *	9/2008	Yasuoka et al.	D13/180
D505,132 S *	5/2005	Linville et al.	D14/223	D601,134 S *	9/2009	Elabidi et al.	D14/223
D514,094 S *	1/2006	Griffin	D14/223	D617,316 S *	6/2010	Elabidi et al.	D14/223
D532,110 S *	11/2006	Bailey et al.	D24/174	D632,282 S *	2/2011	Kitayama	D14/223

* cited by examiner

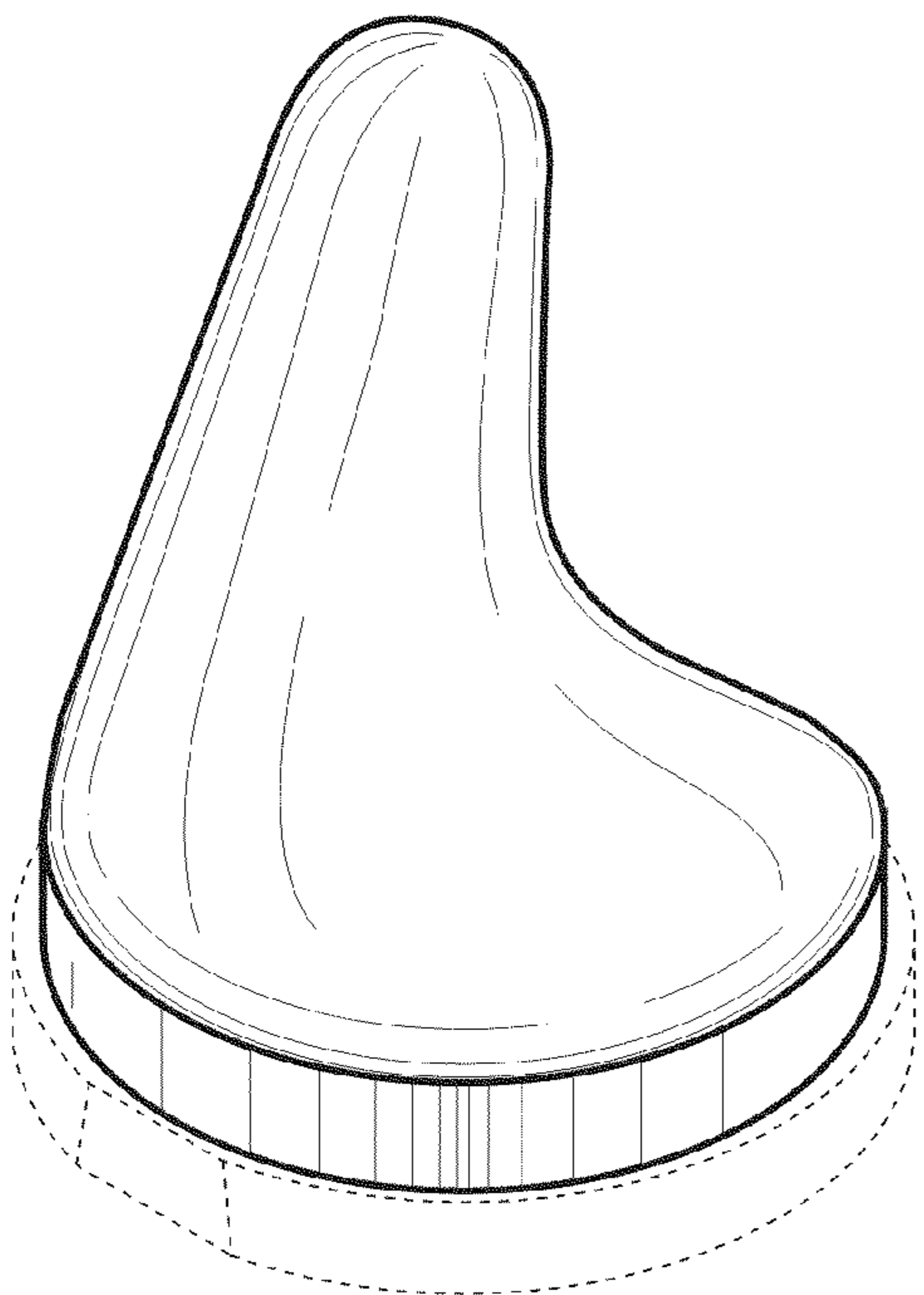


FIG. 1

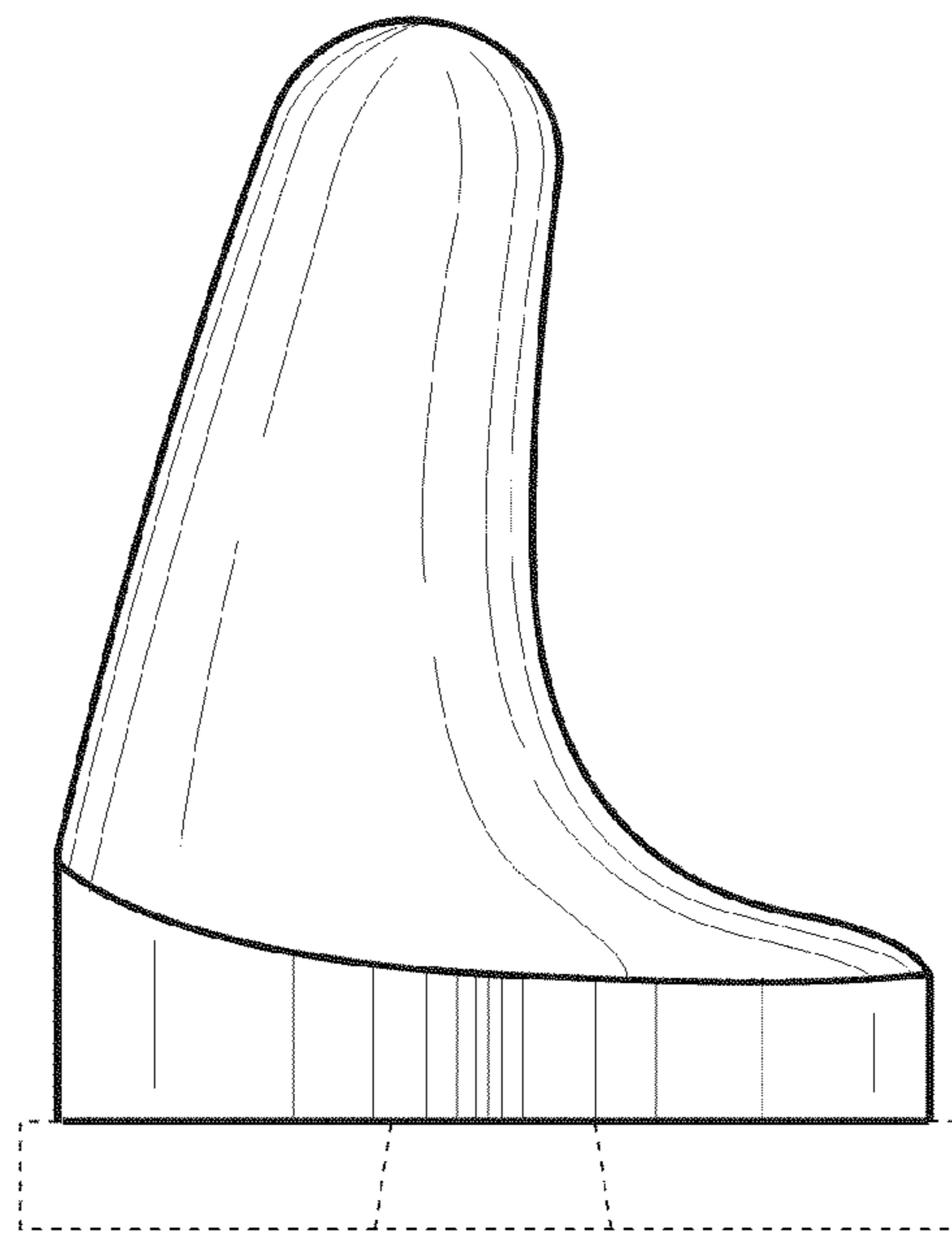


FIG. 2

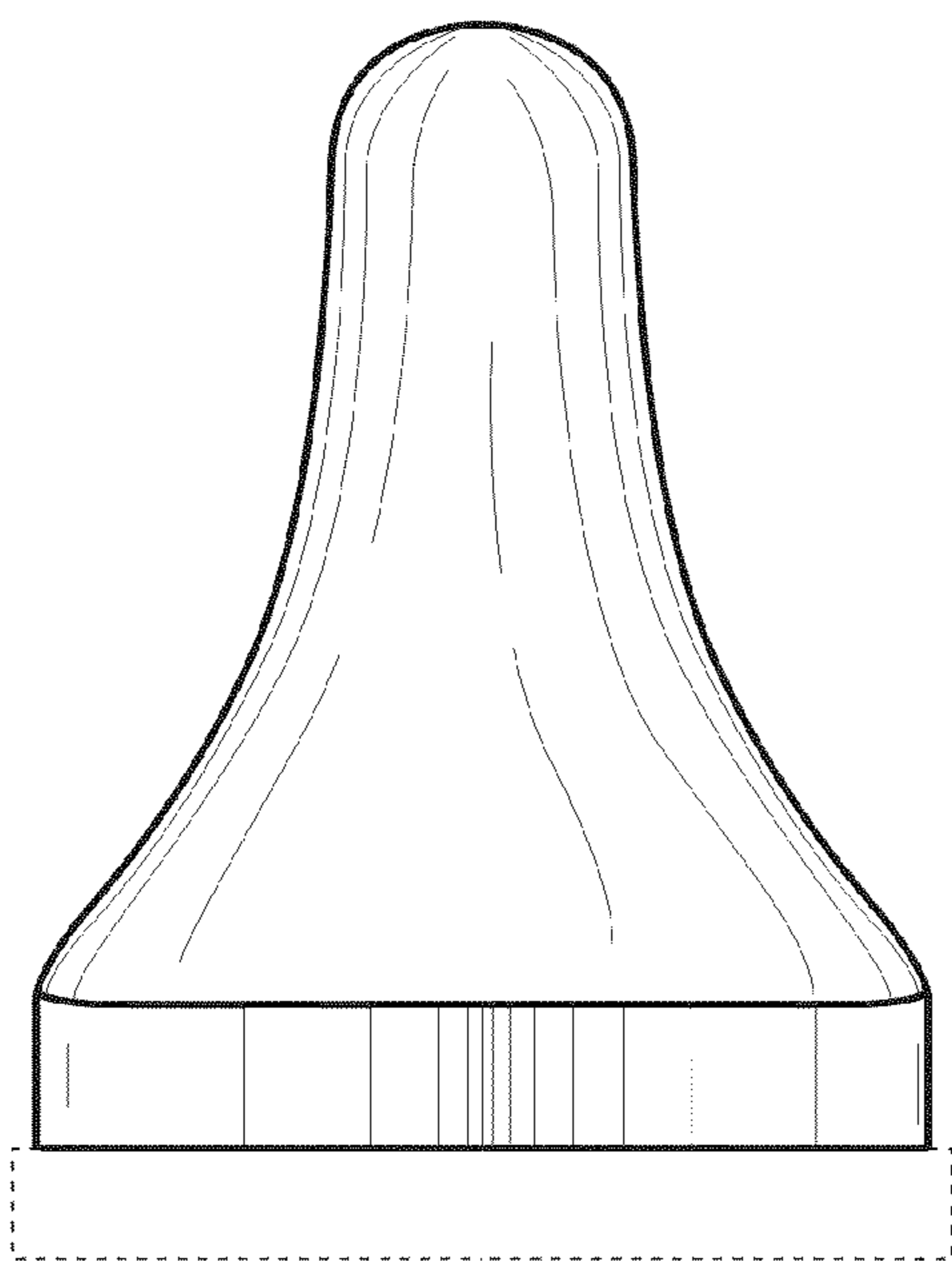


FIG. 3

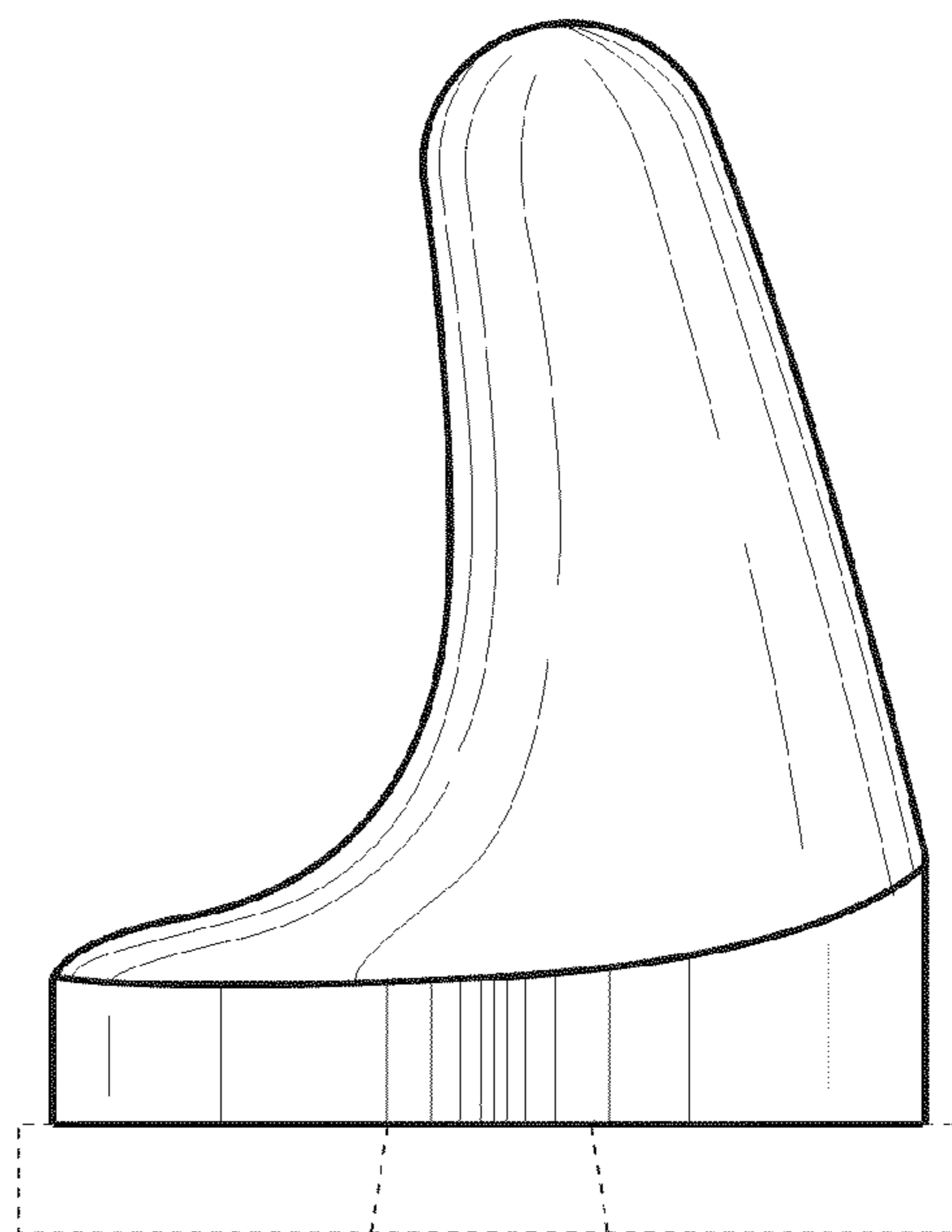


FIG. 4

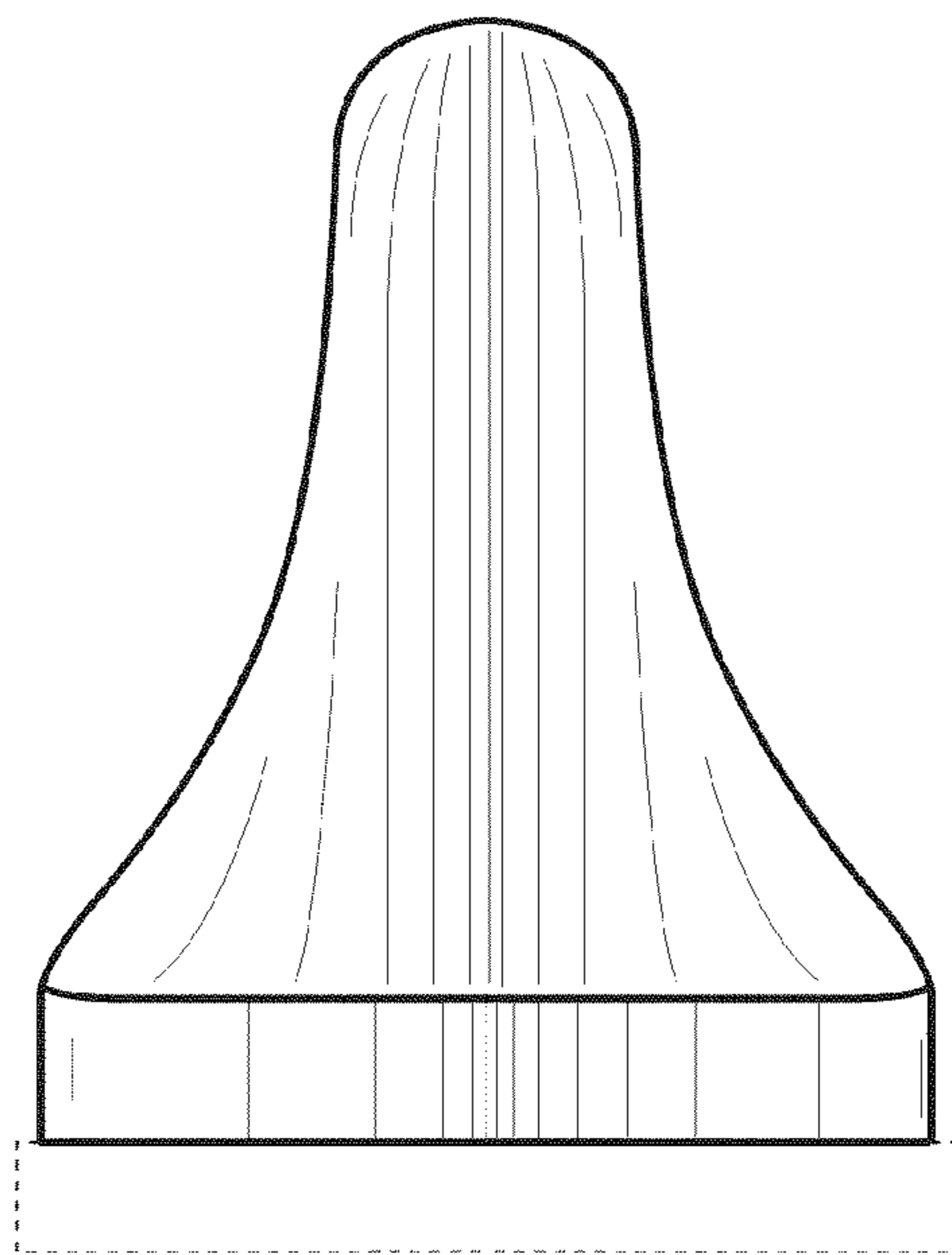


FIG. 5

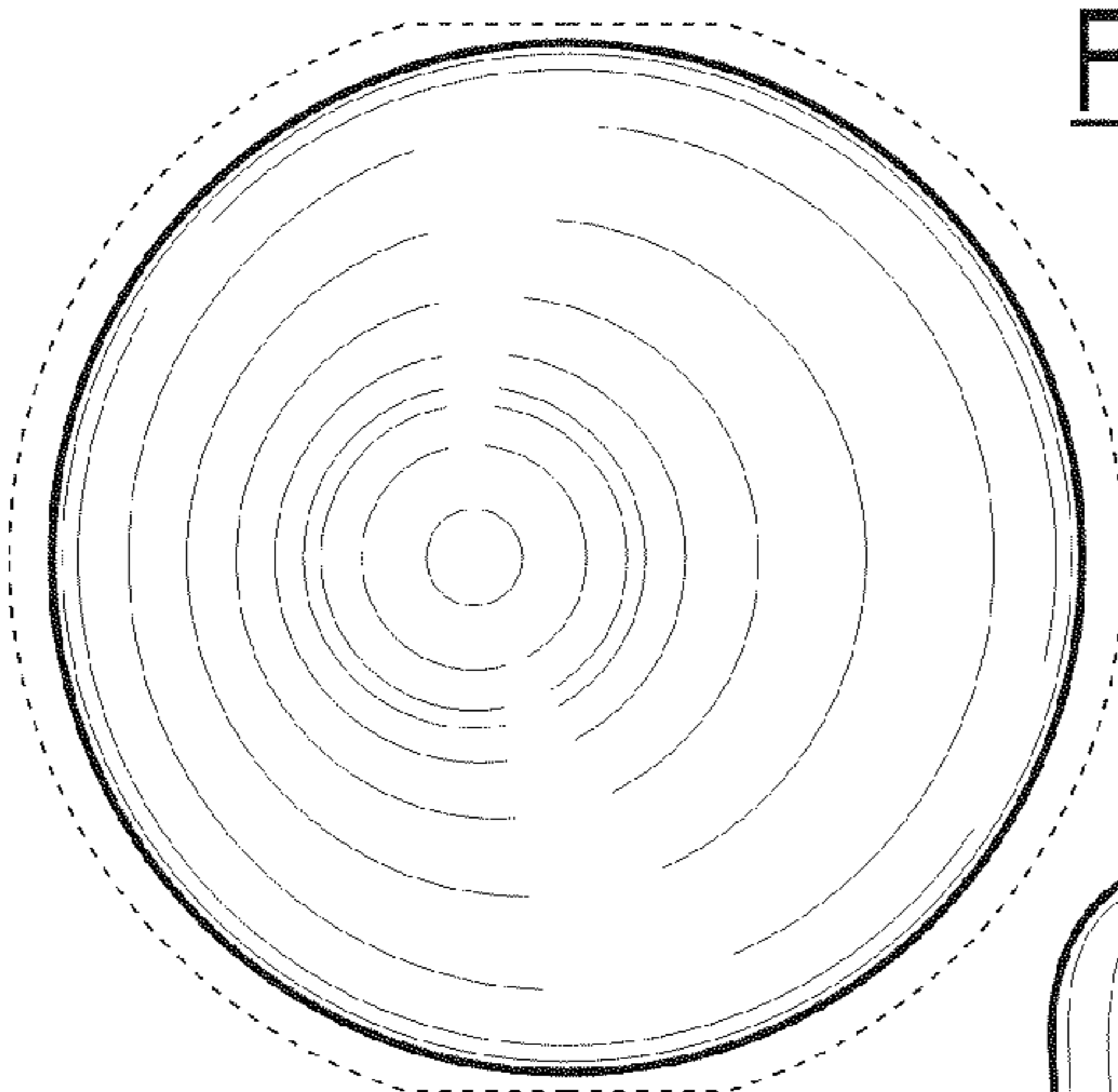


FIG. 6

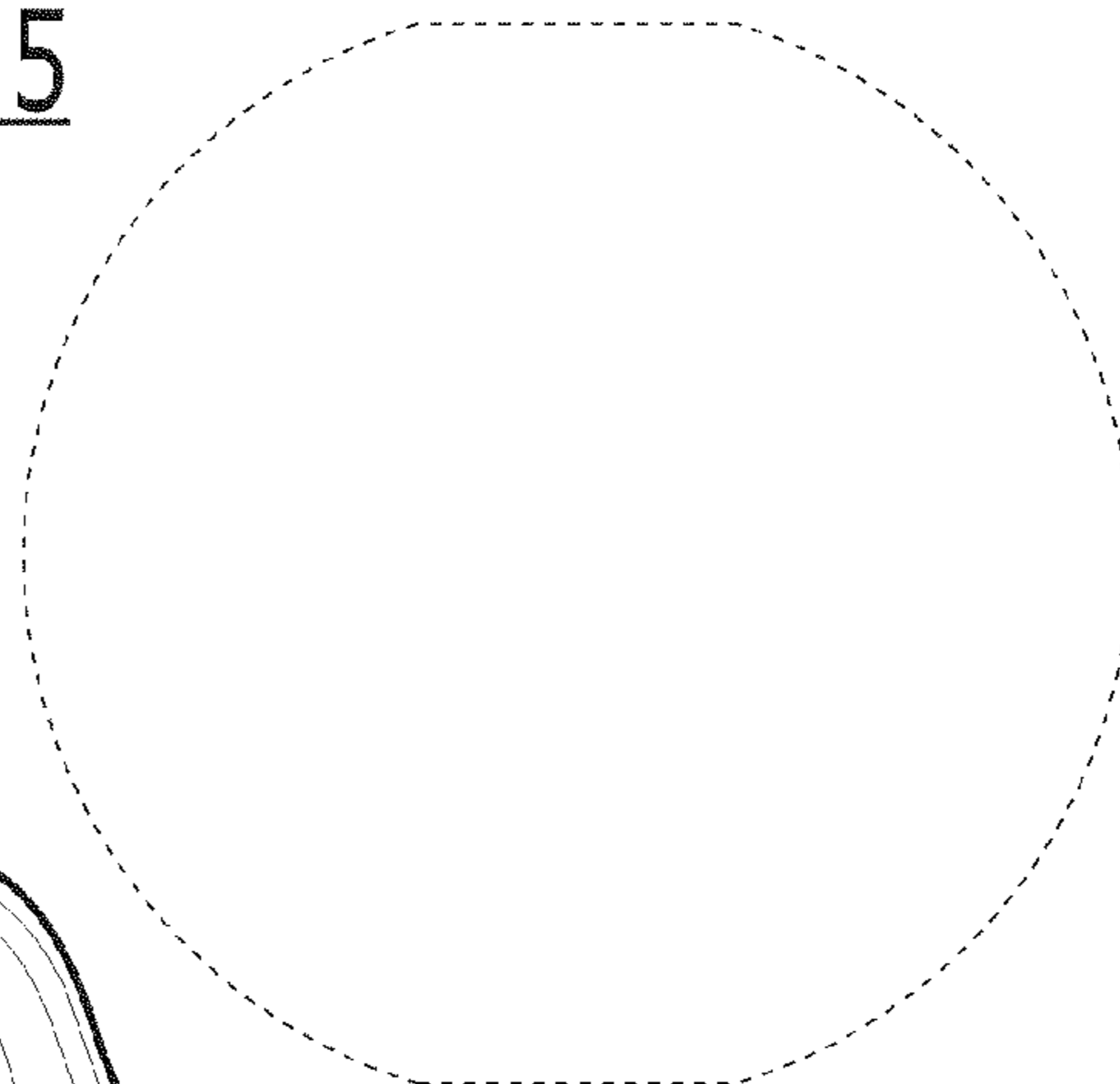


FIG. 7

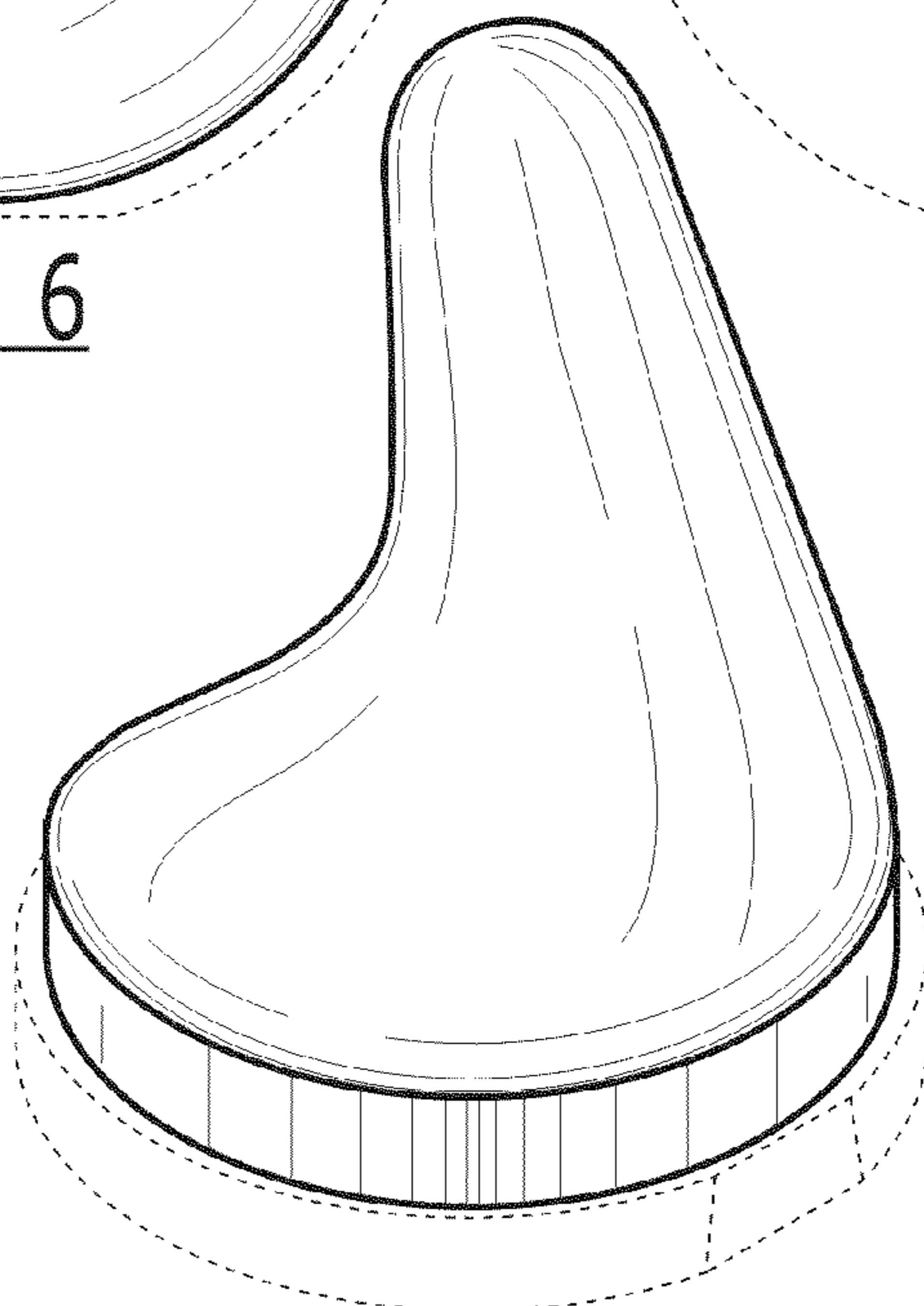


FIG. 8

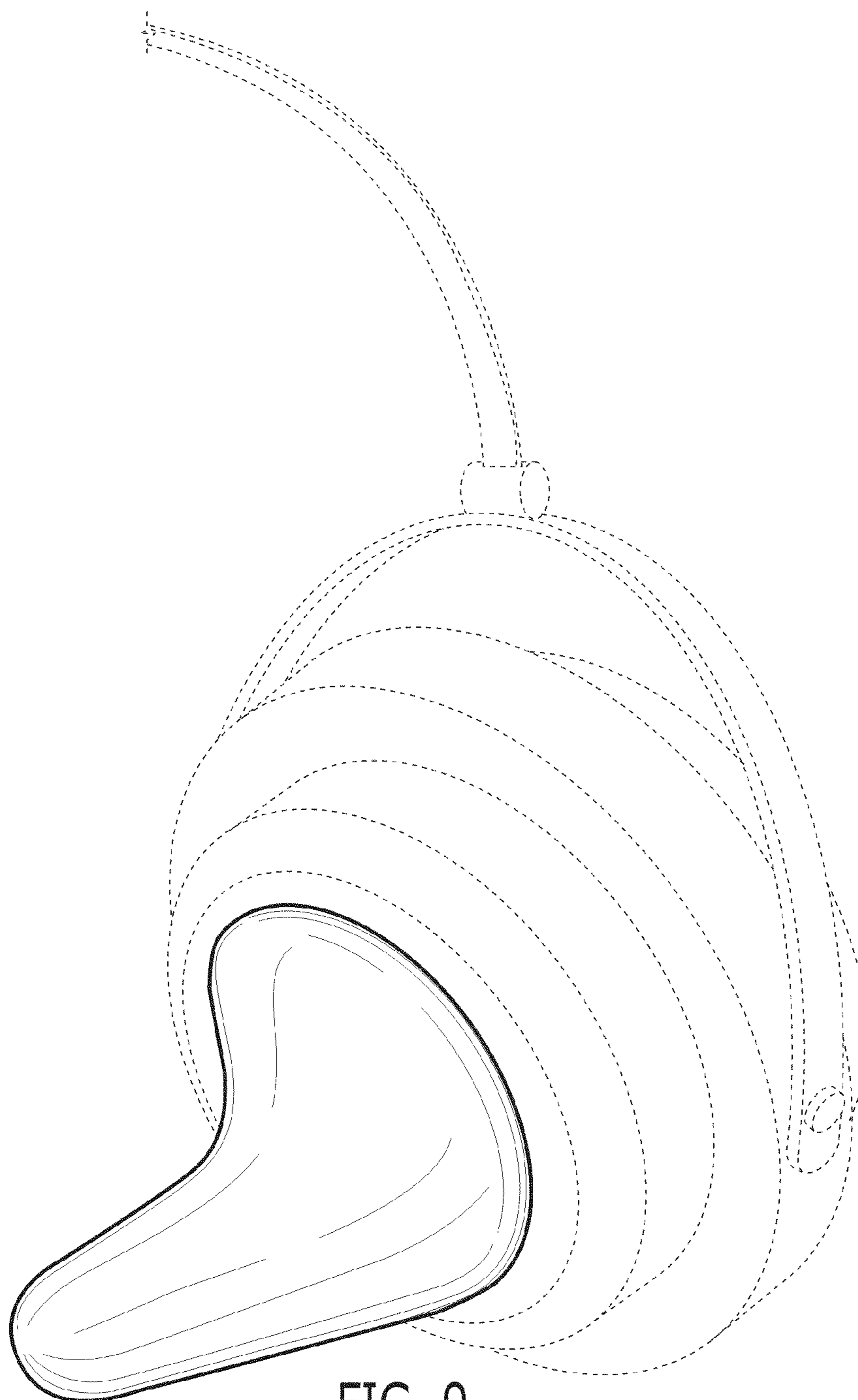


FIG. 9

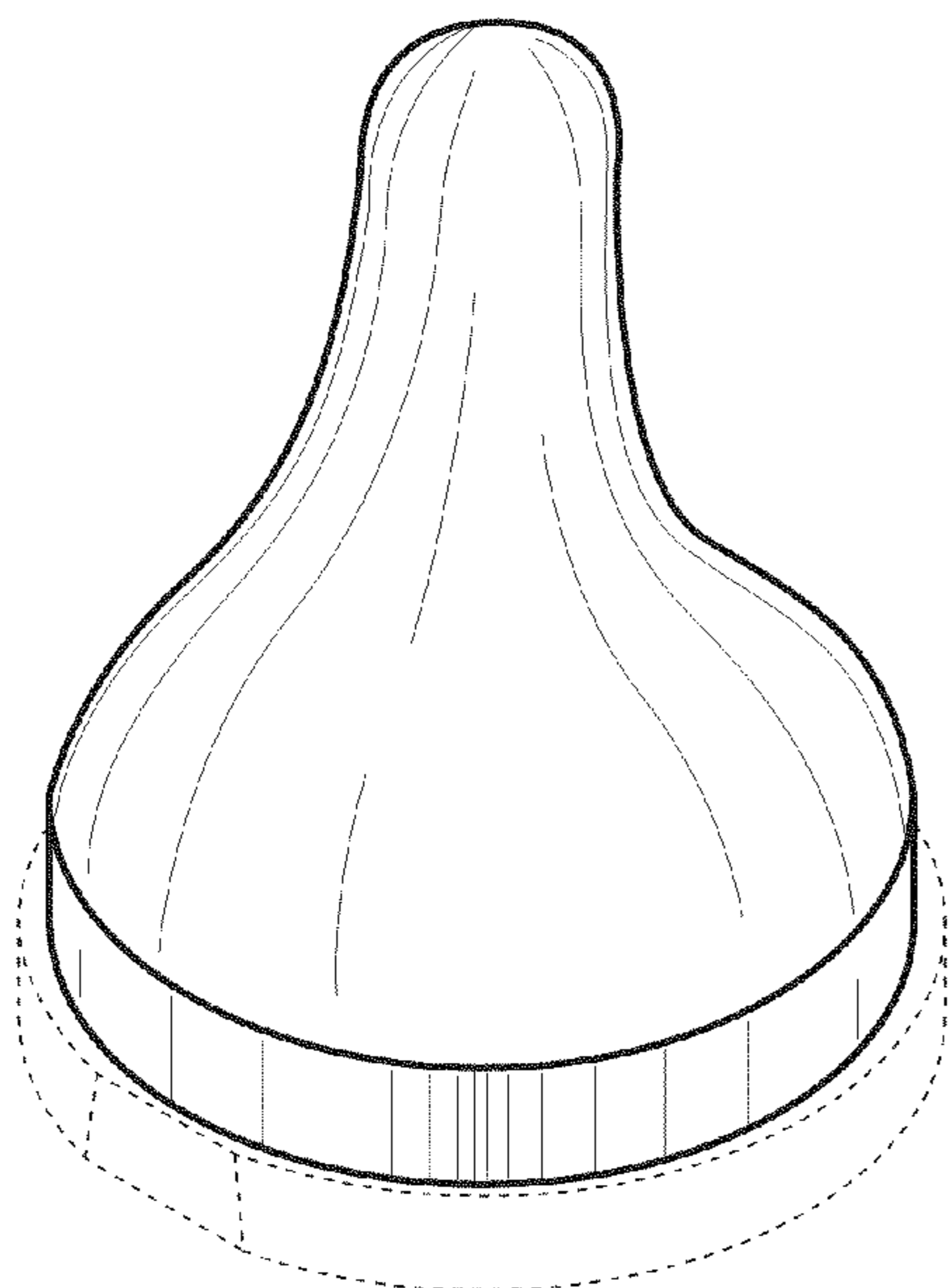


FIG. 10

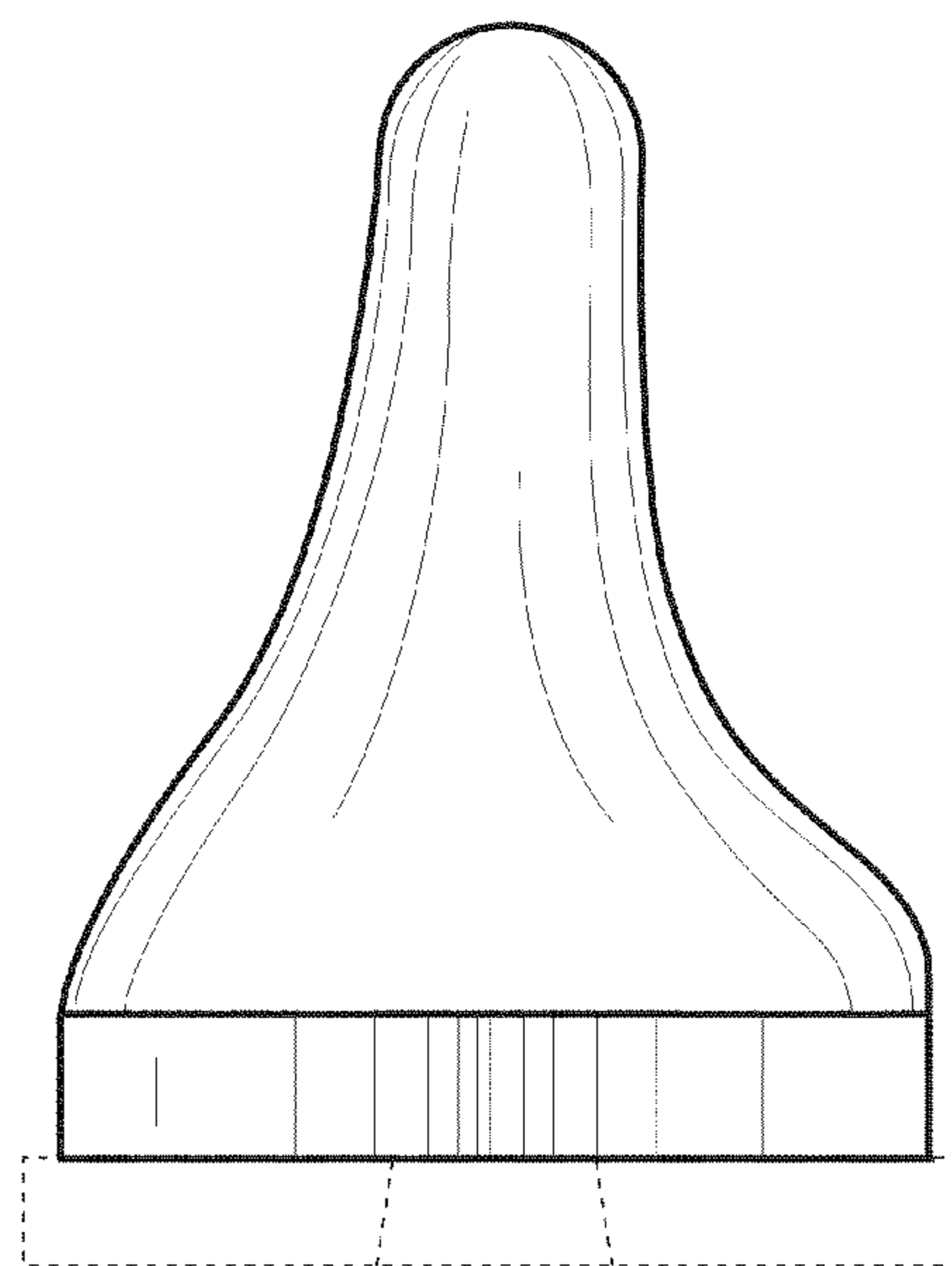


FIG. 11

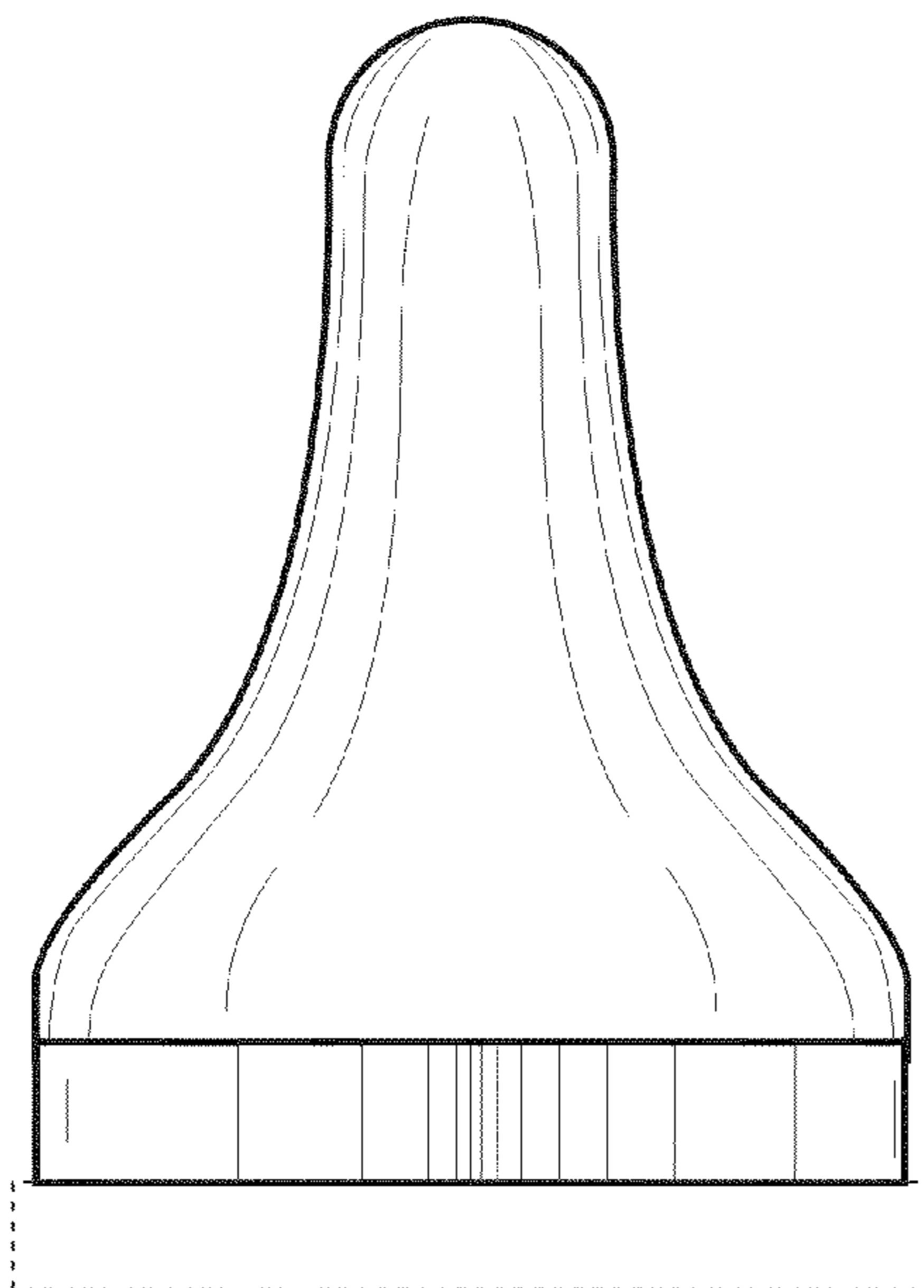


FIG. 12

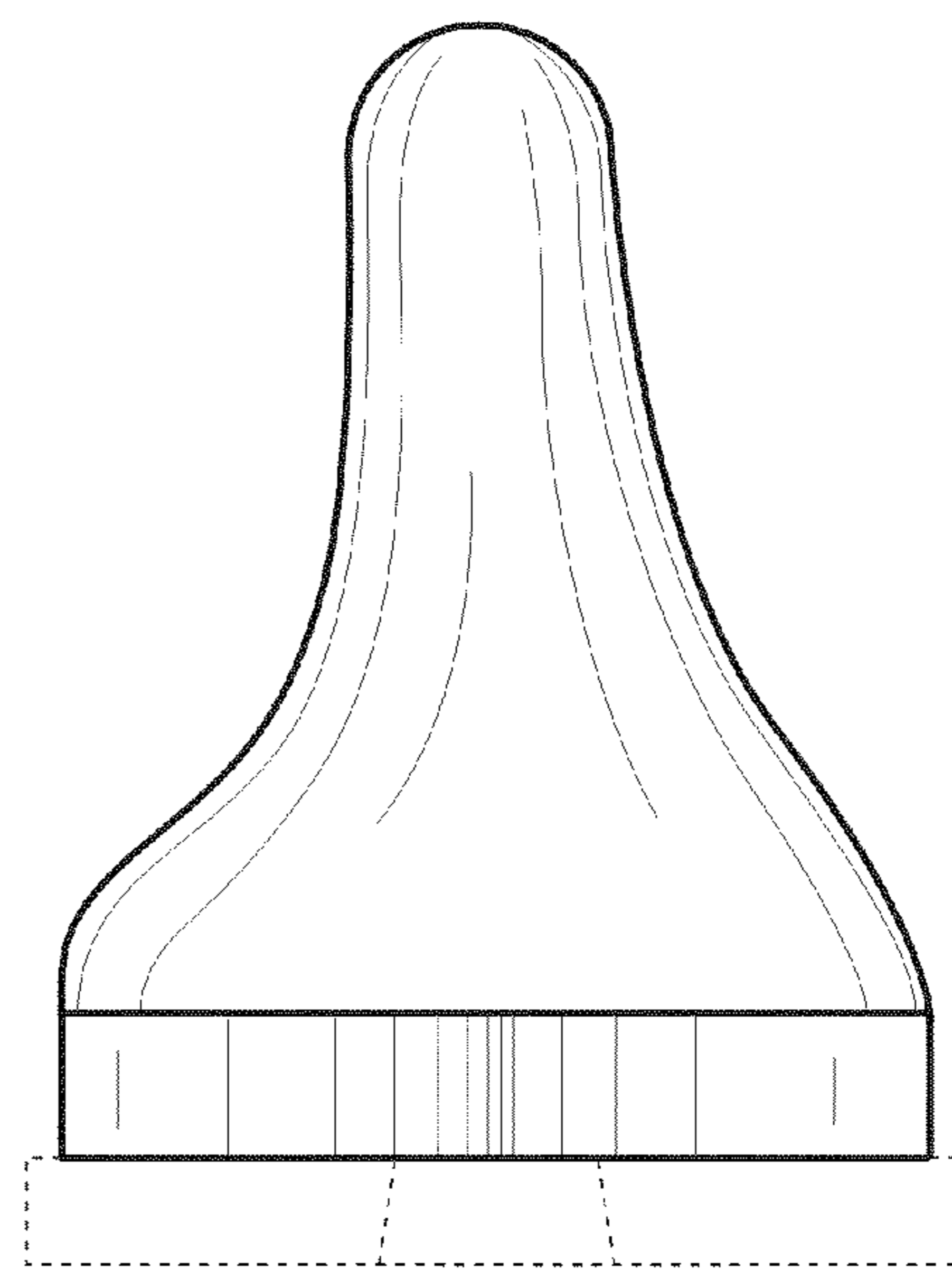


FIG. 13

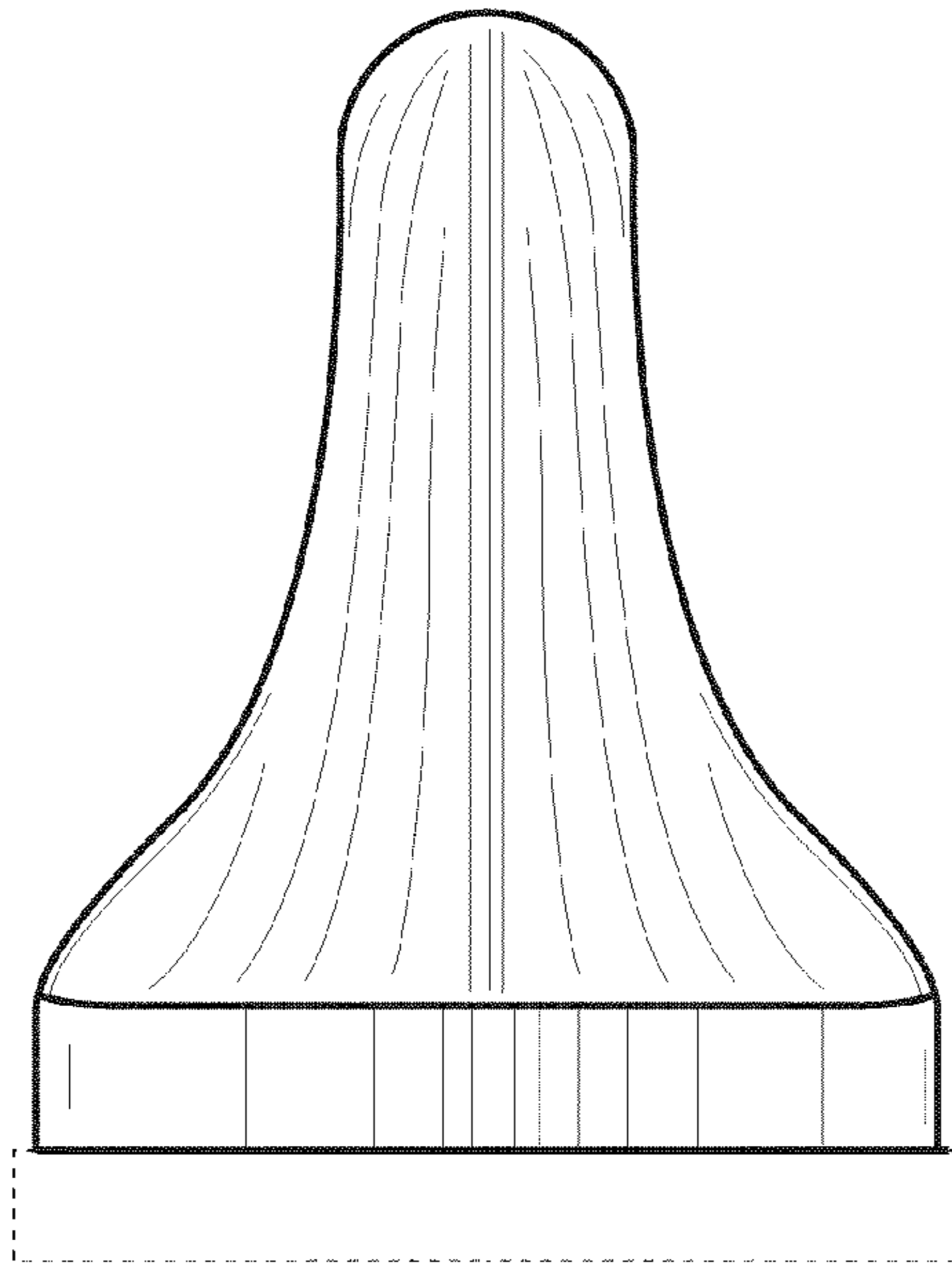


FIG. 14

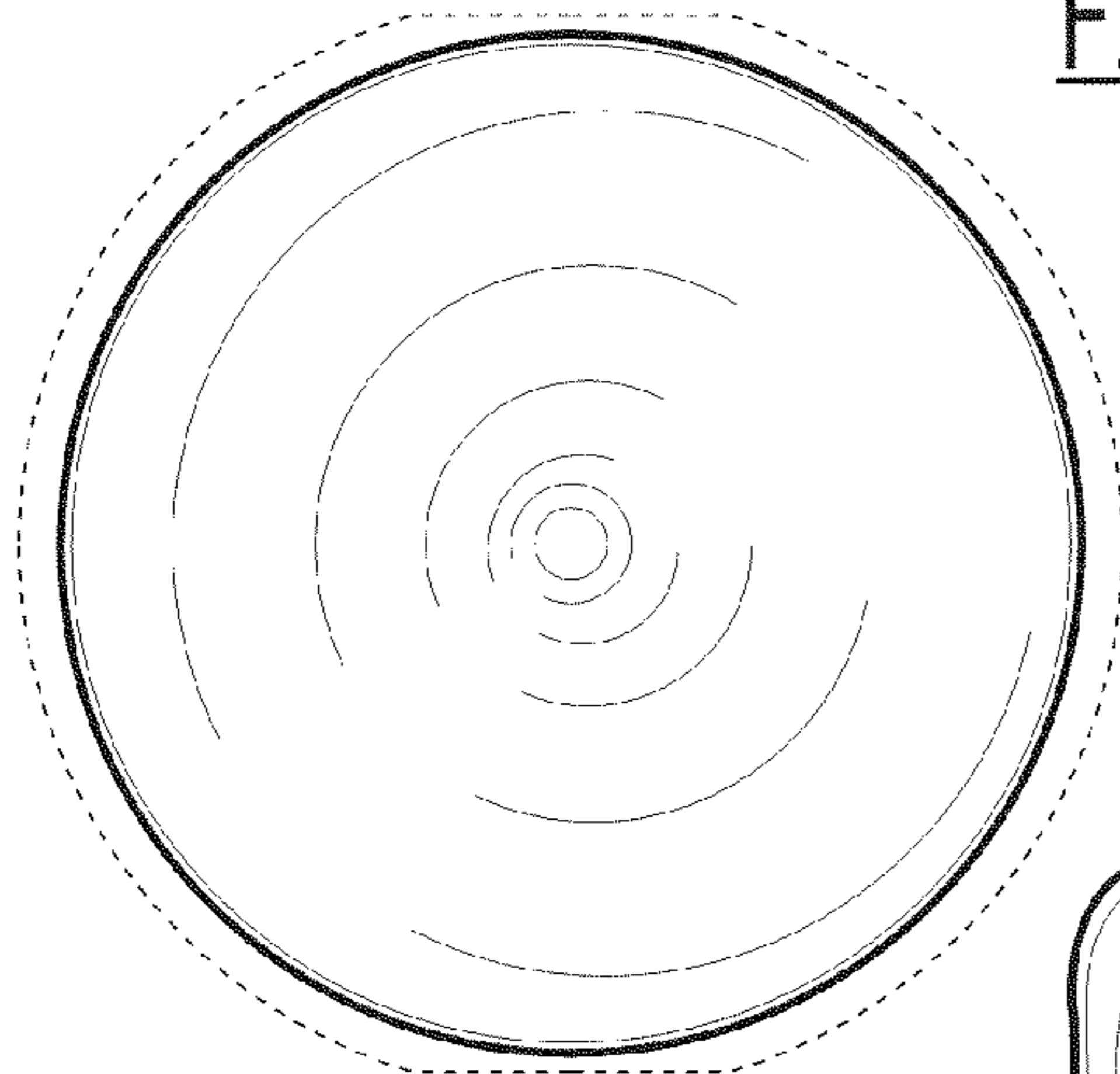


FIG. 15

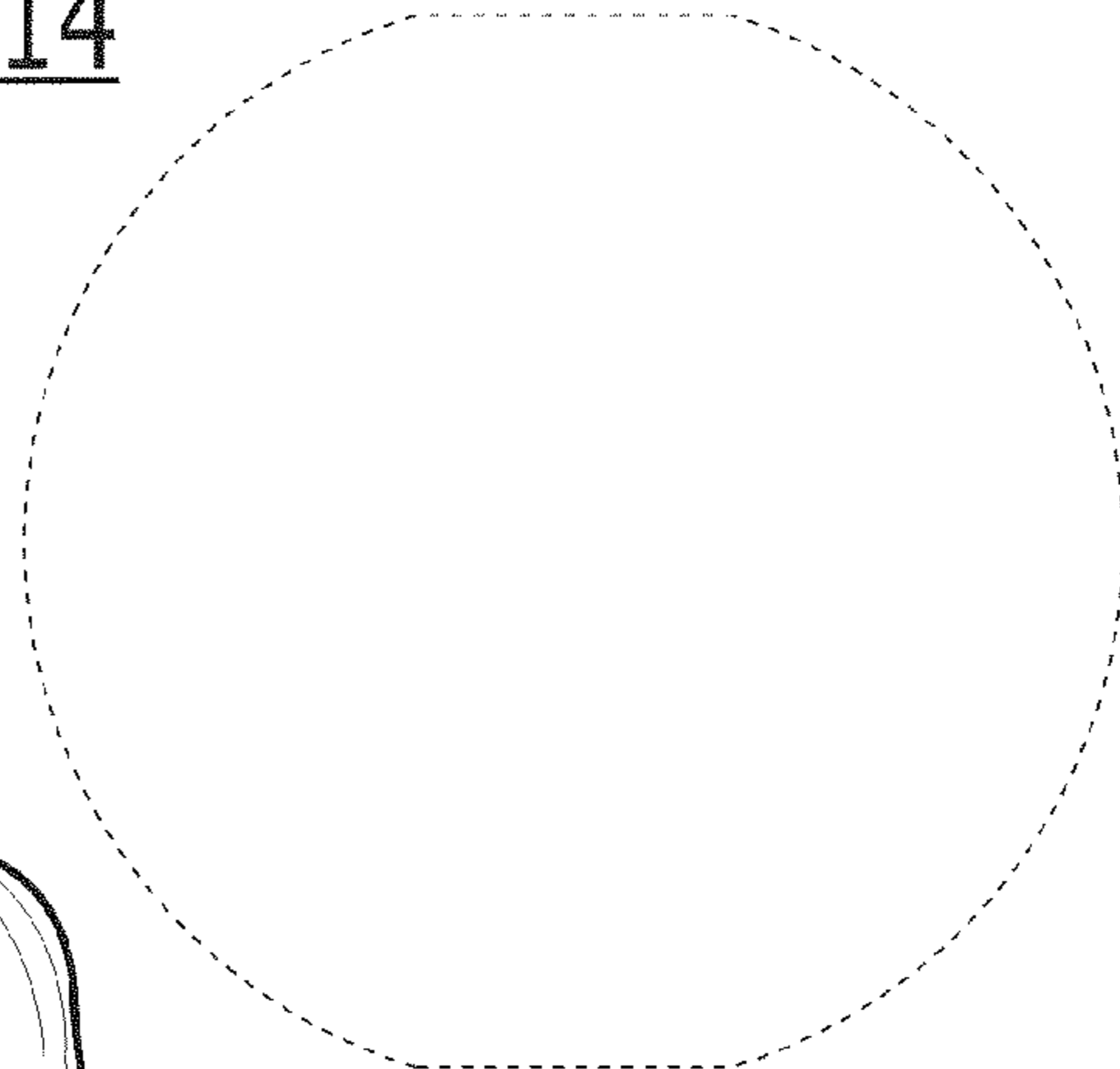


FIG. 16

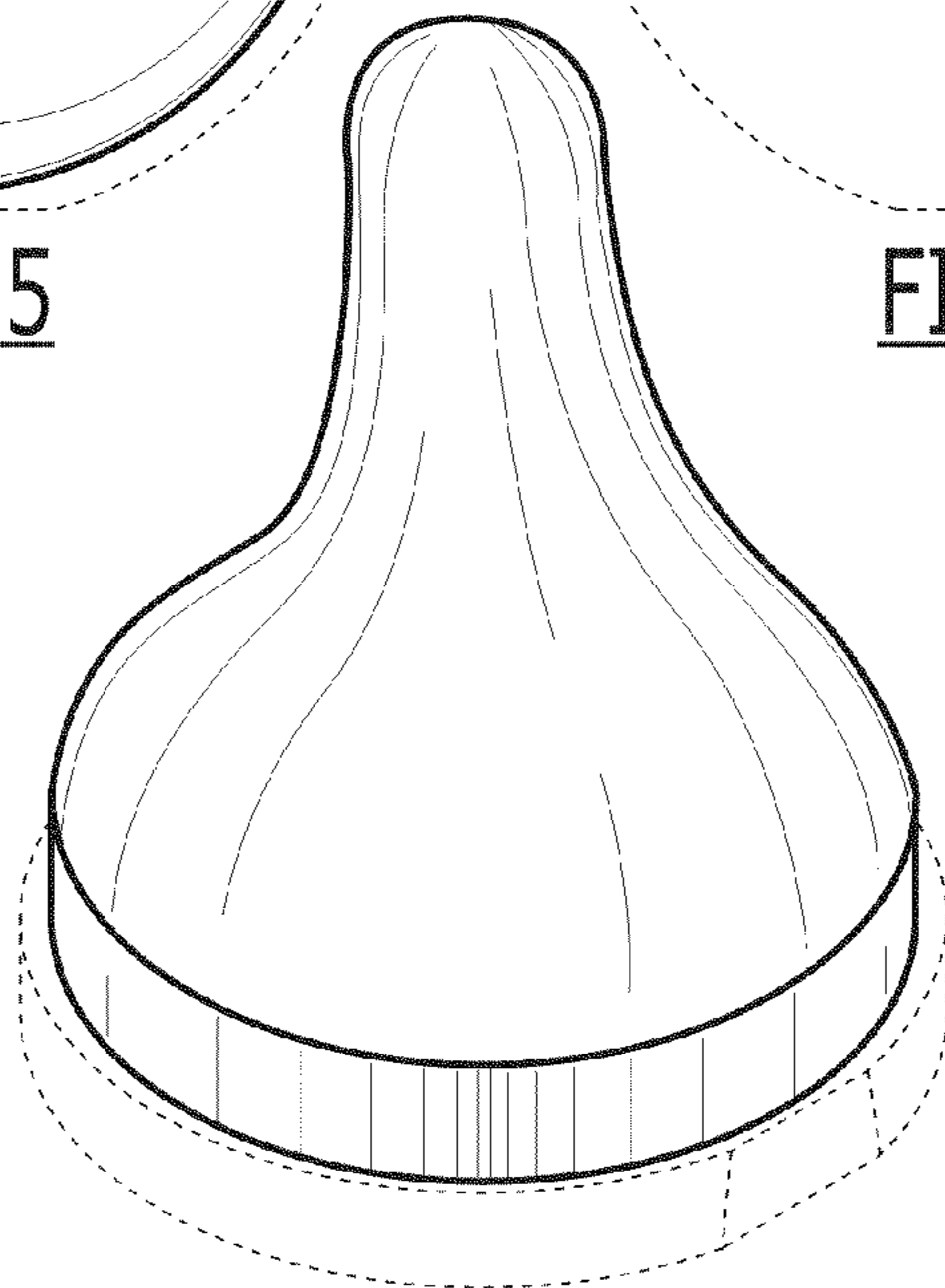


FIG. 17

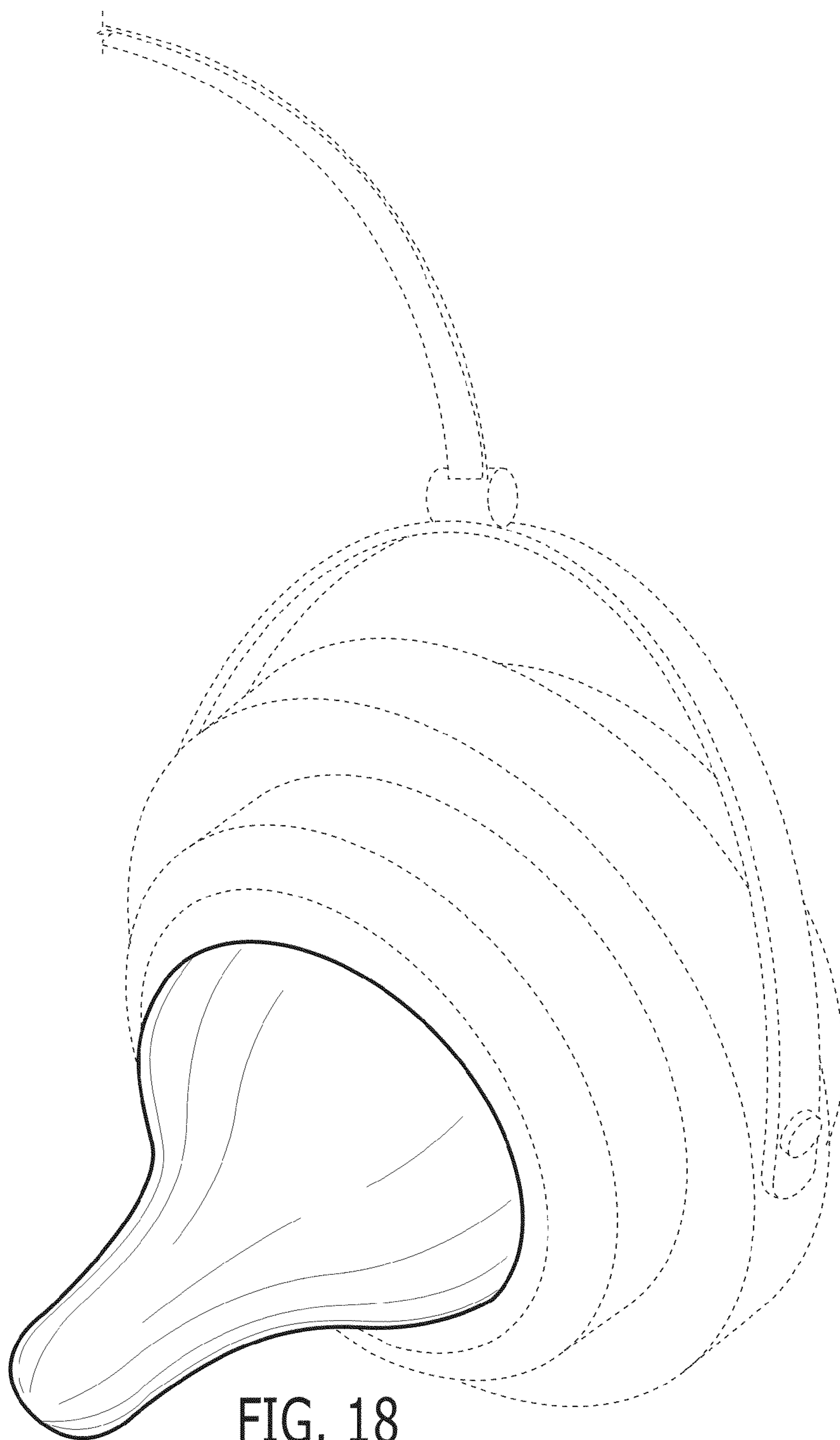


FIG. 18

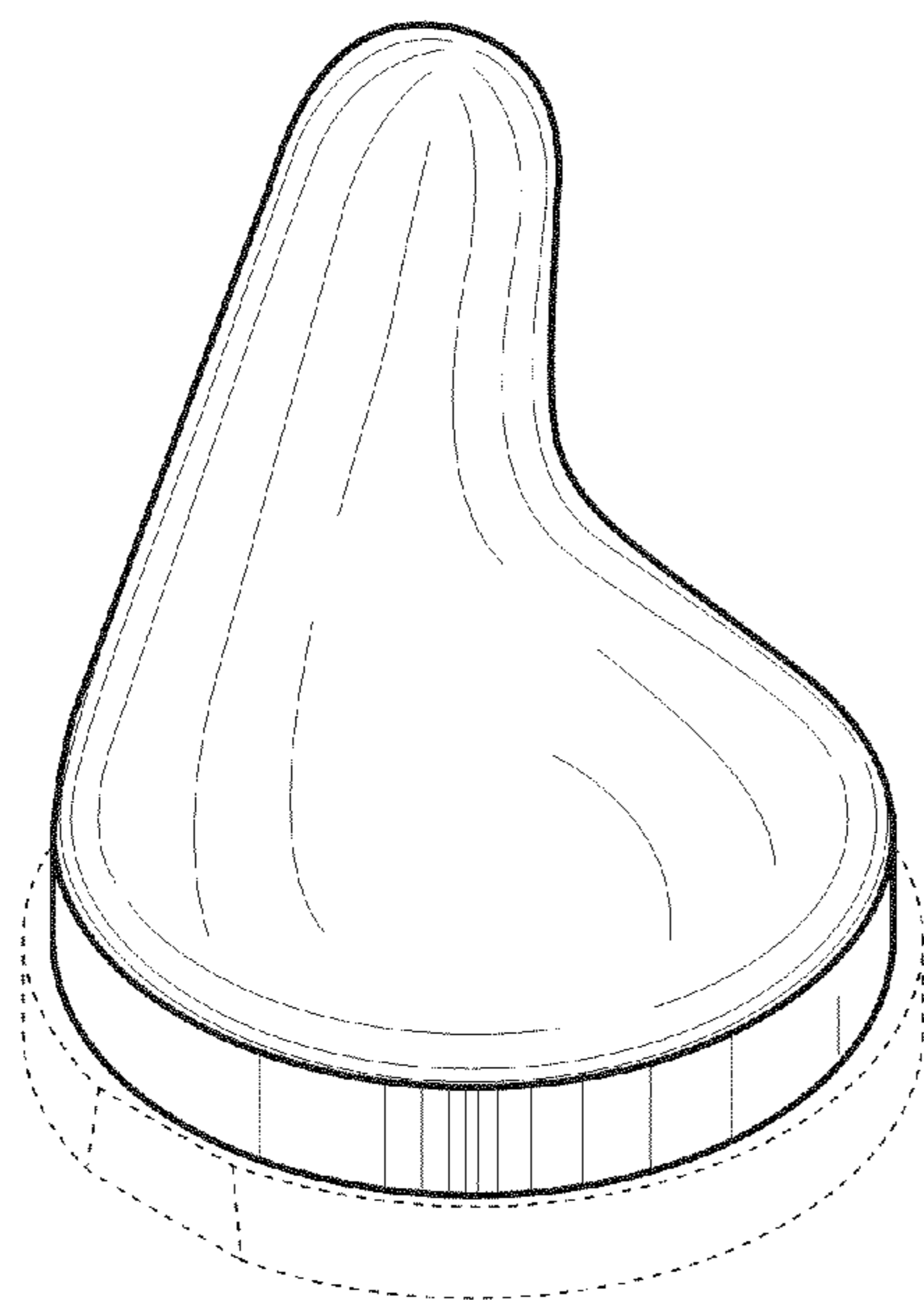


FIG. 19

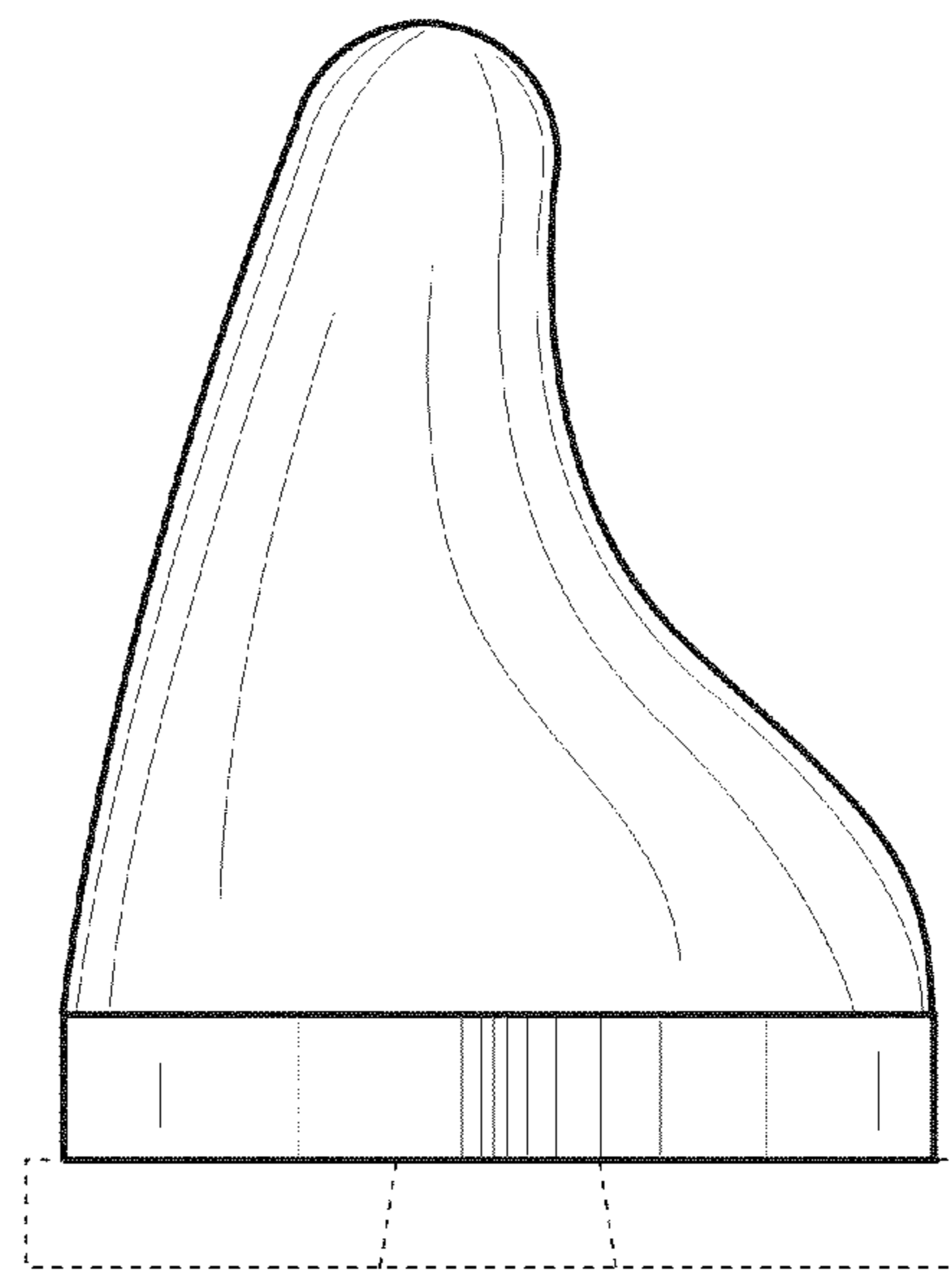


FIG. 20

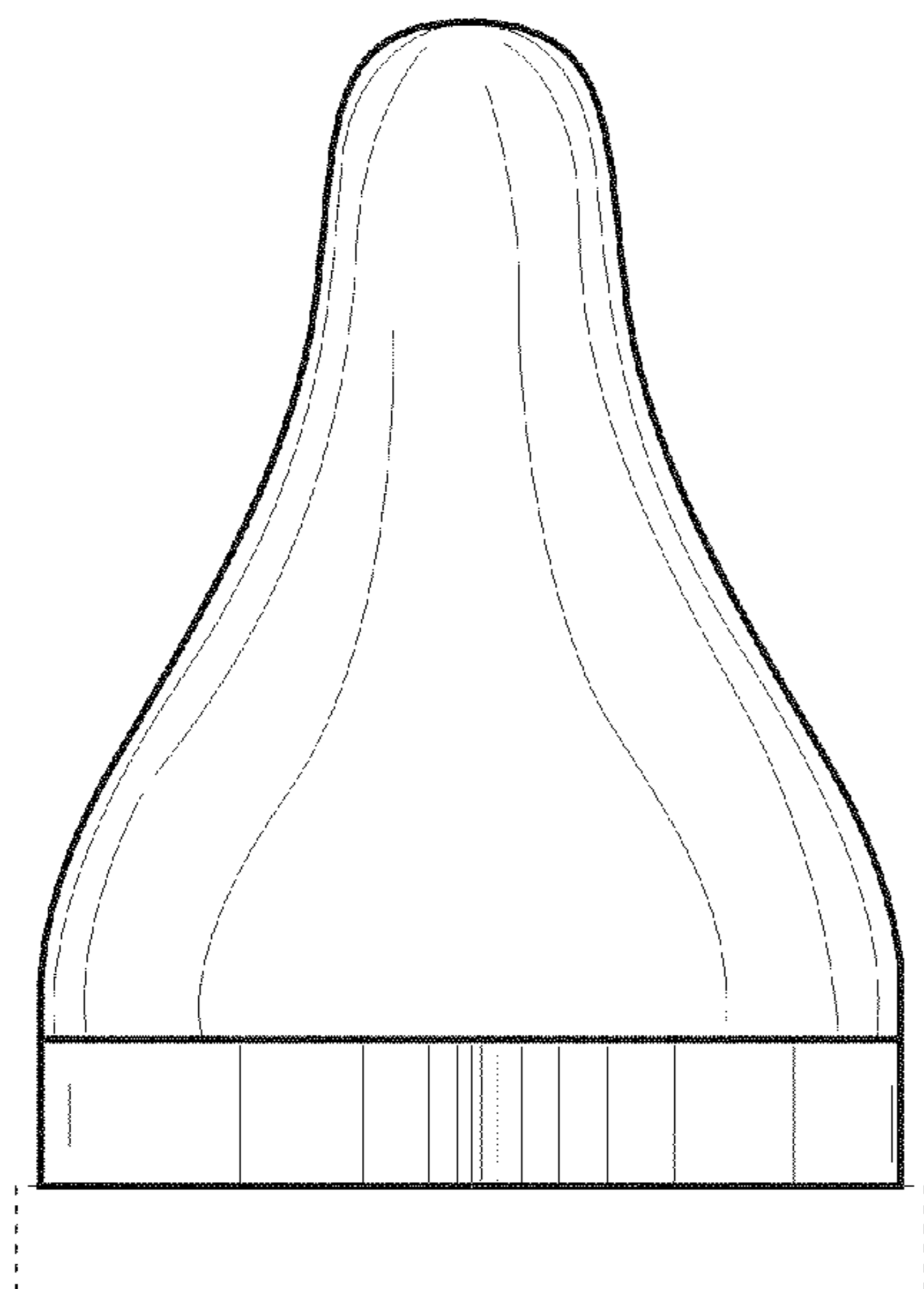


FIG. 21

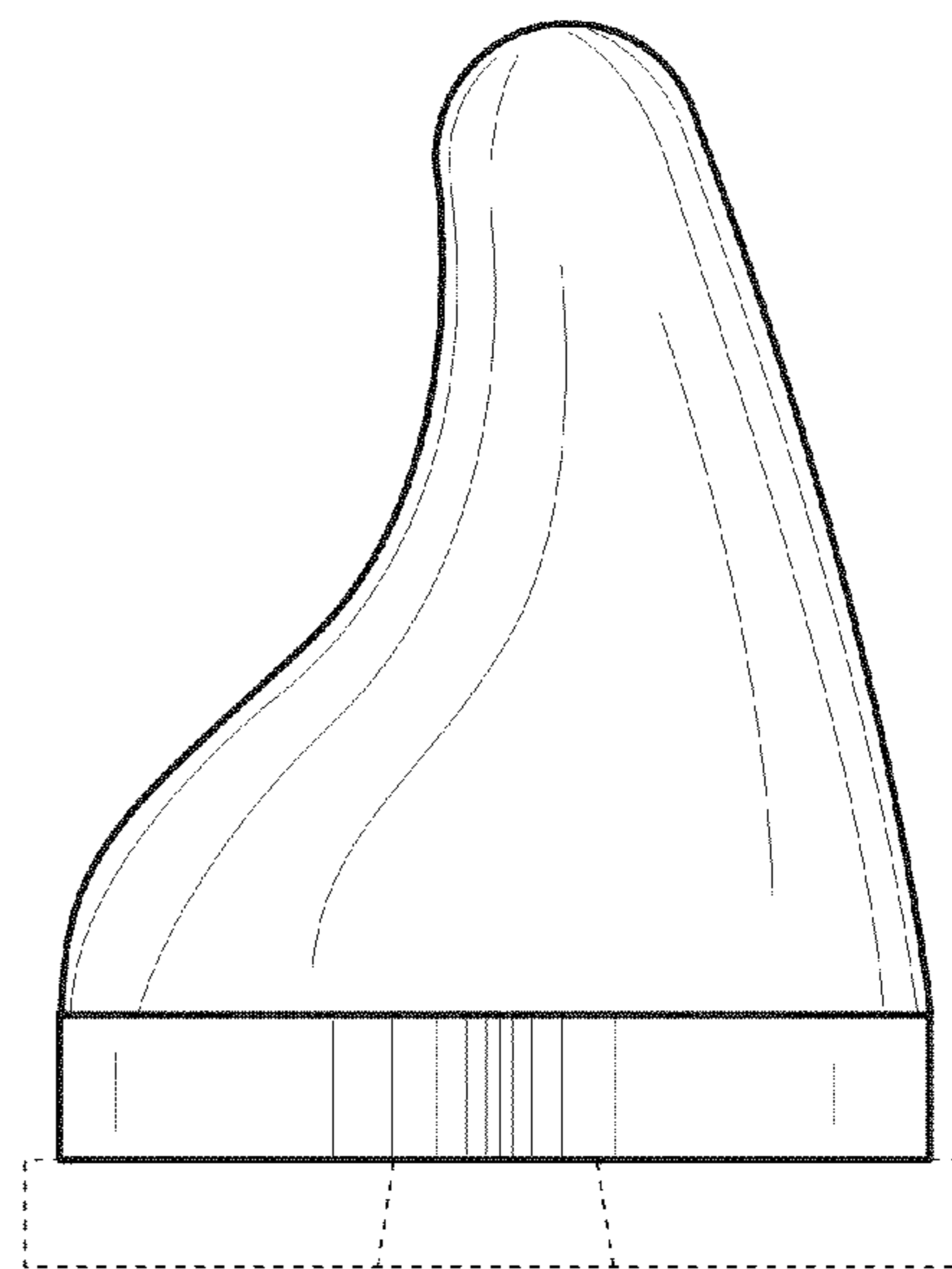


FIG. 22

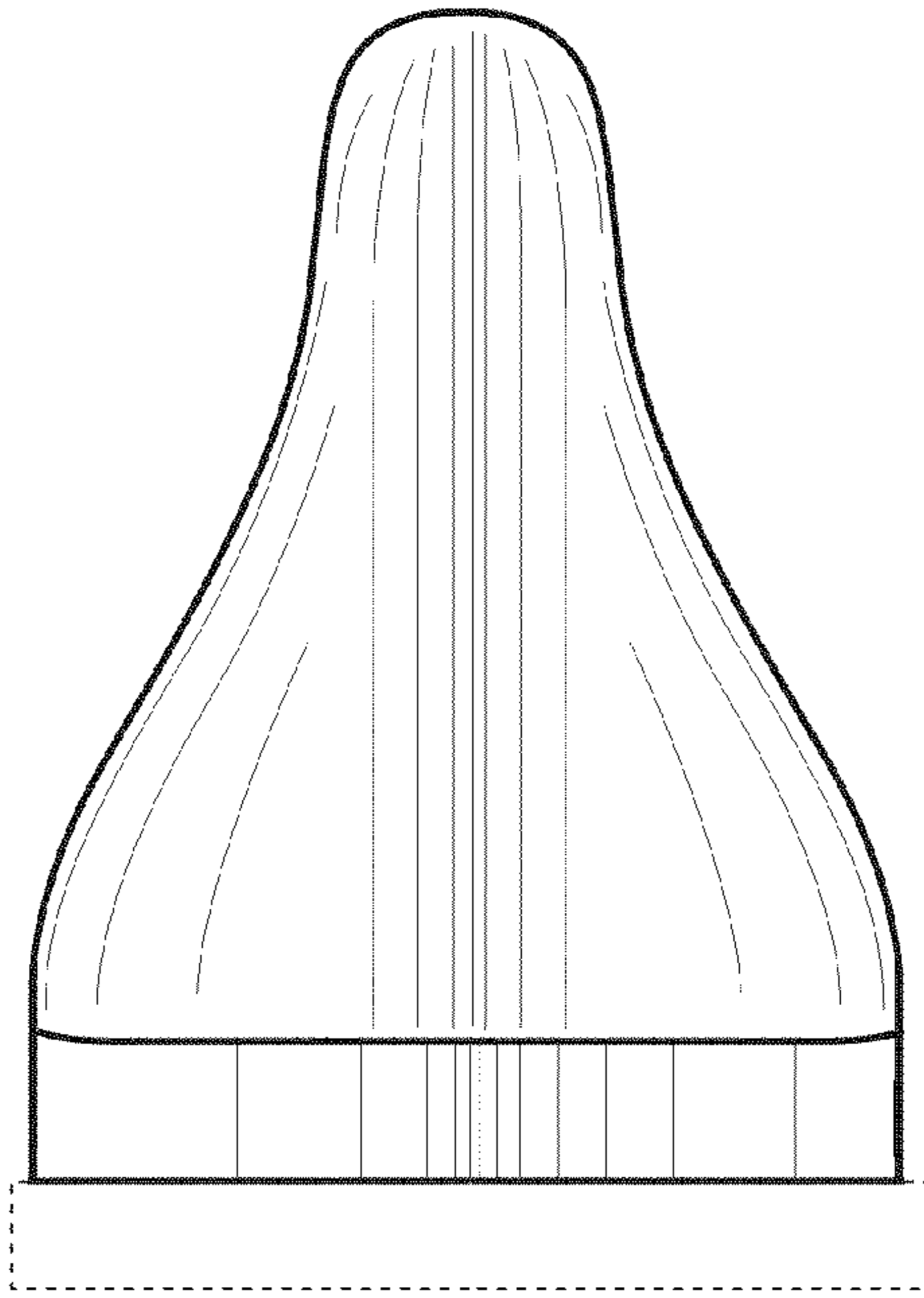


FIG. 23

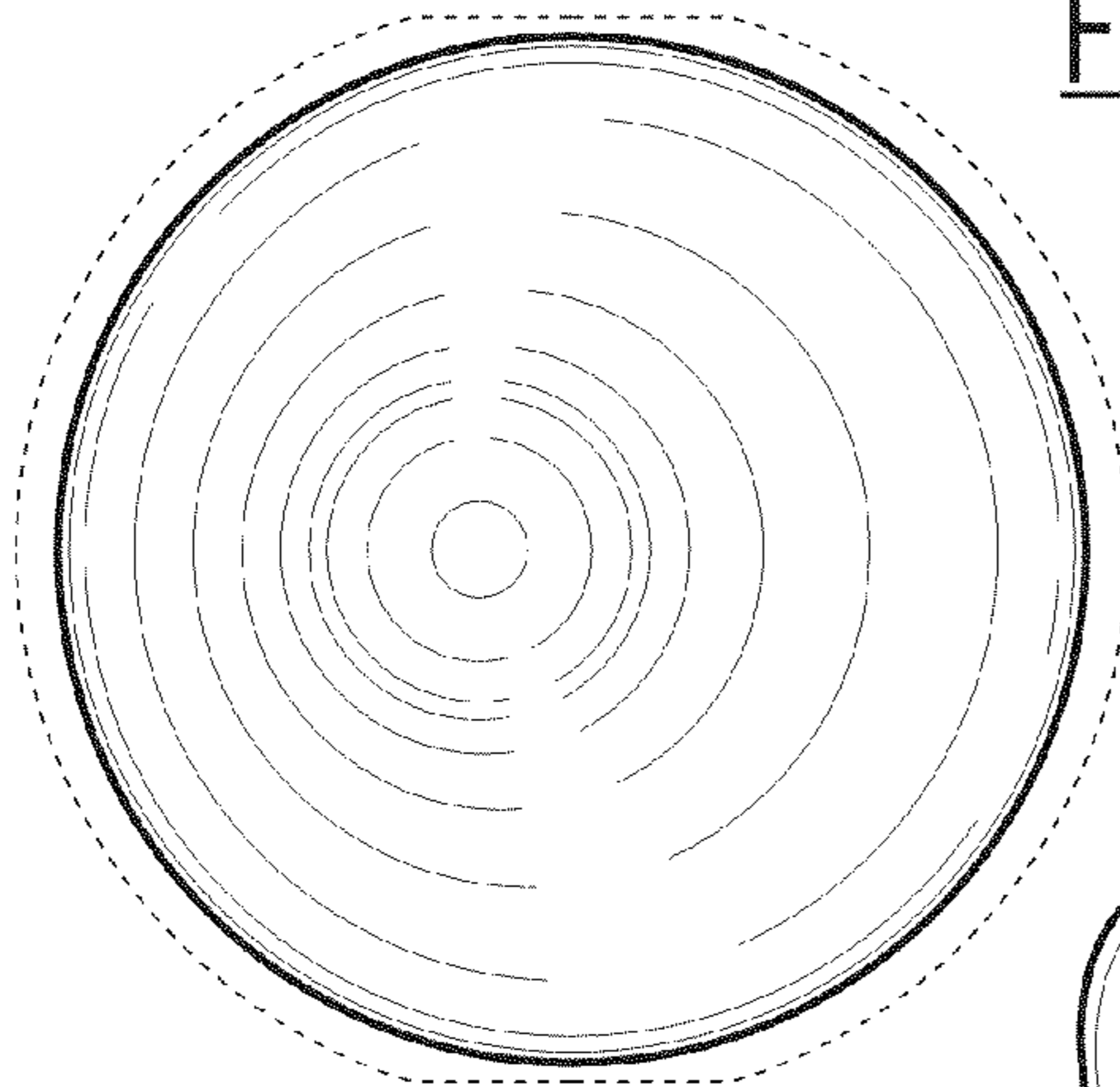


FIG. 24

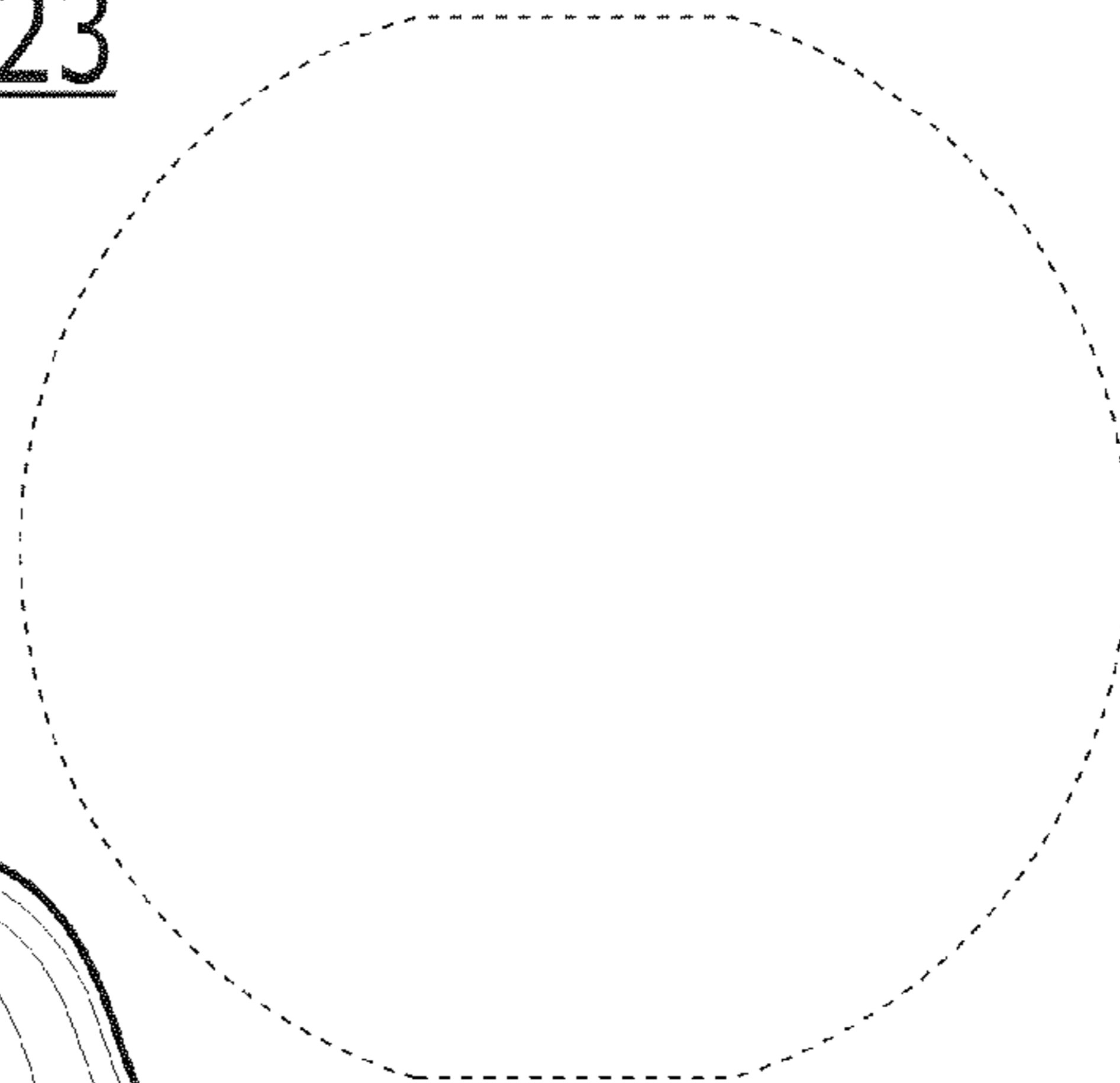


FIG. 25

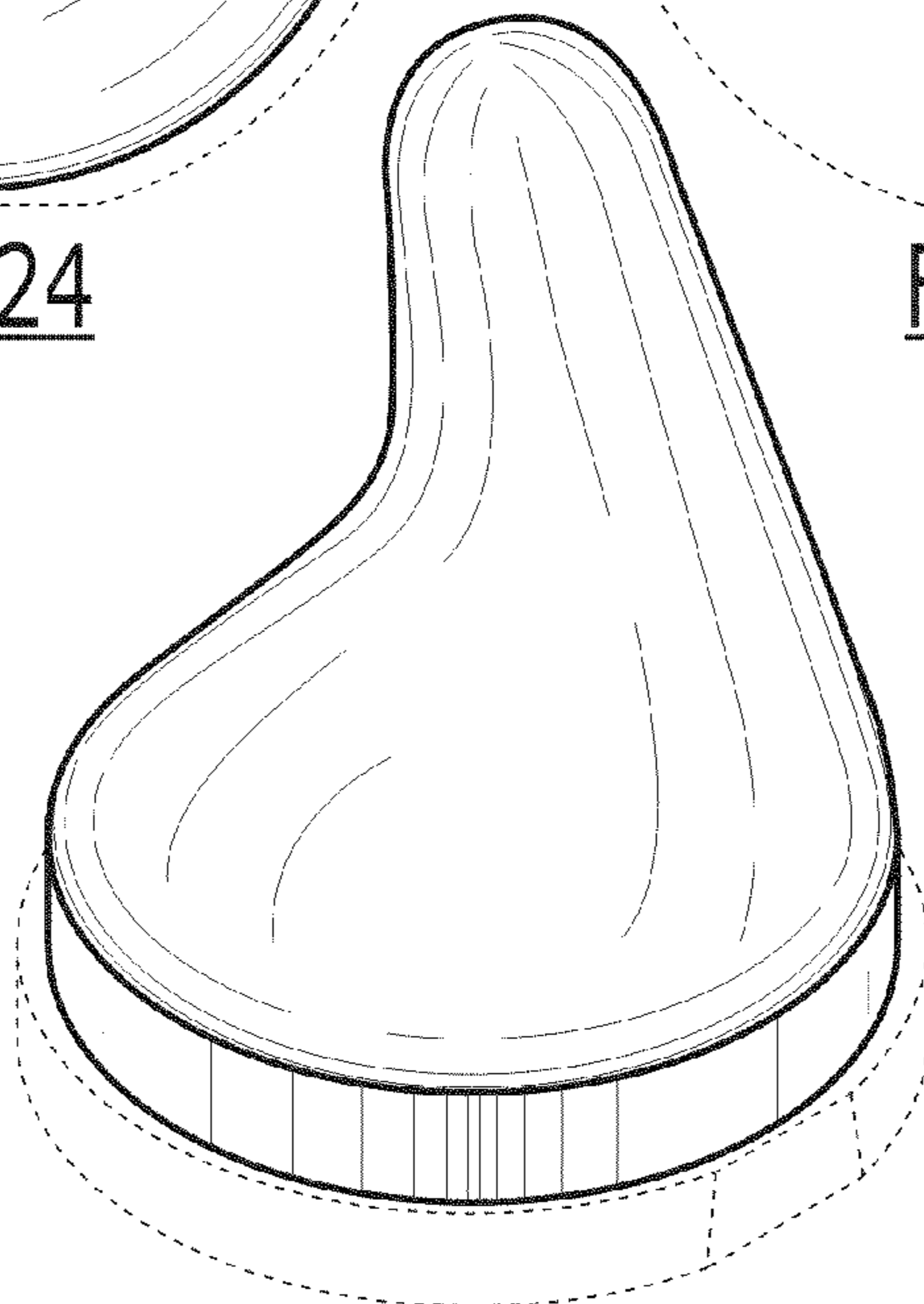


FIG. 26

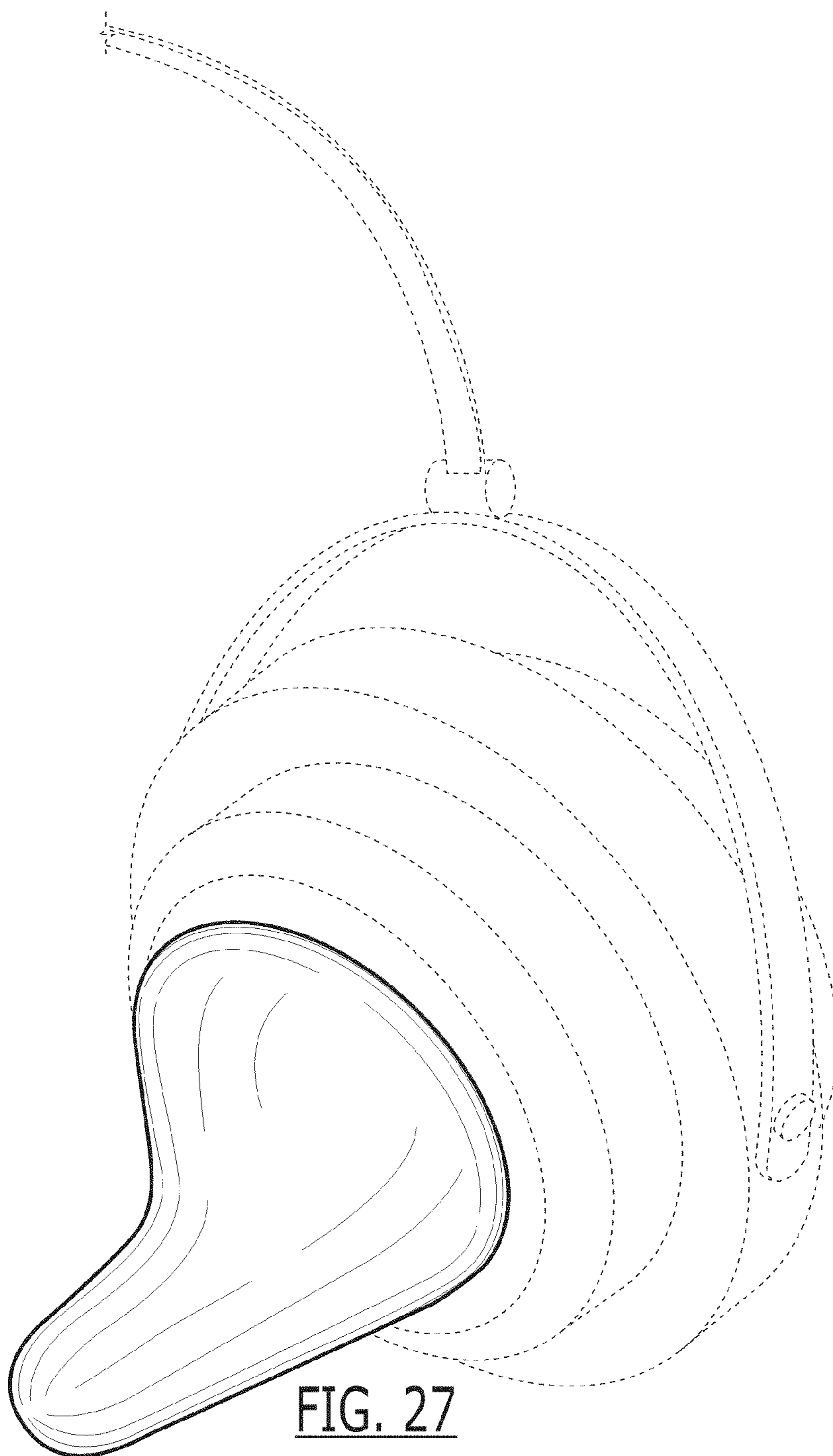


FIG. 27

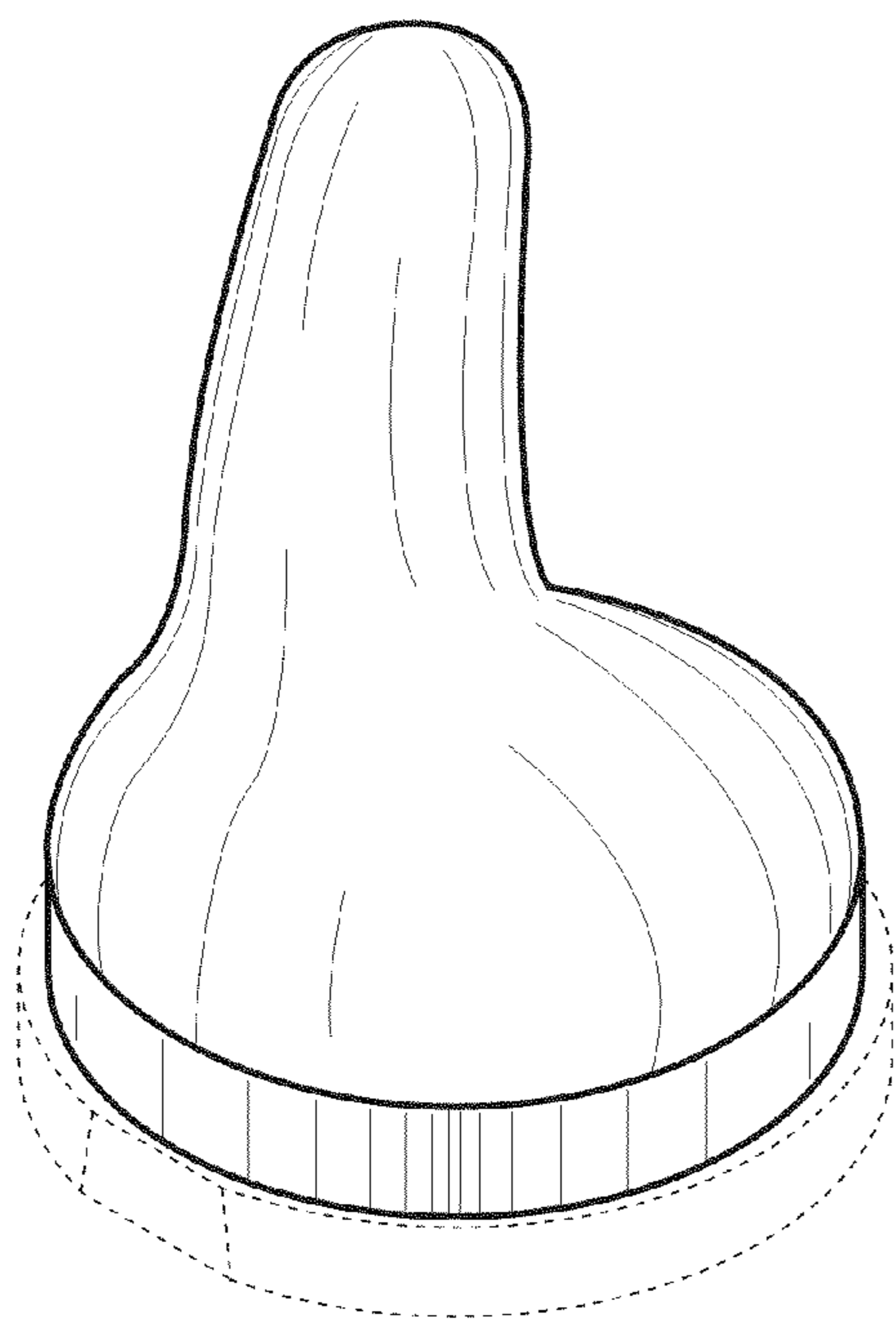


FIG. 28

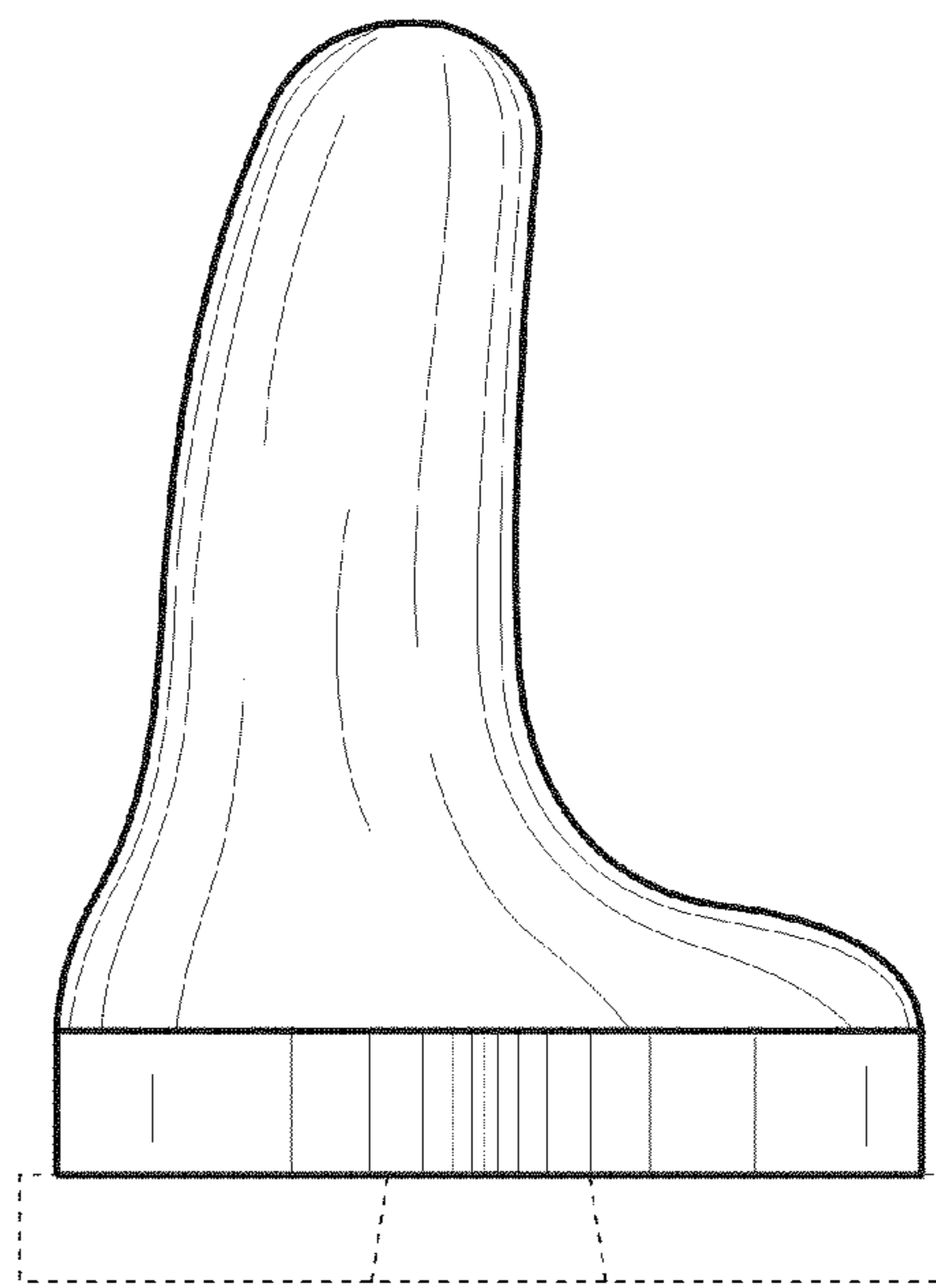


FIG. 29

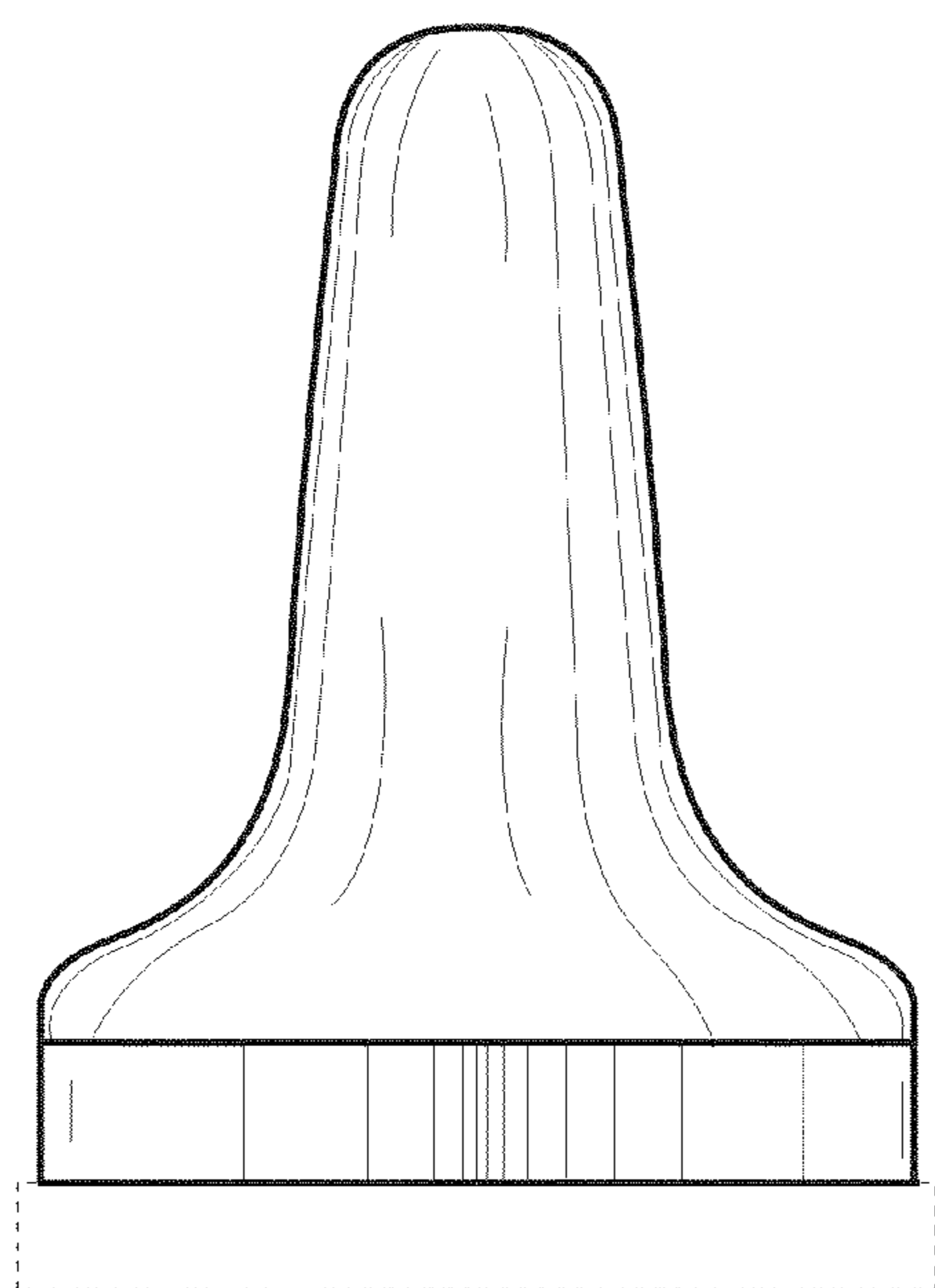


FIG. 30

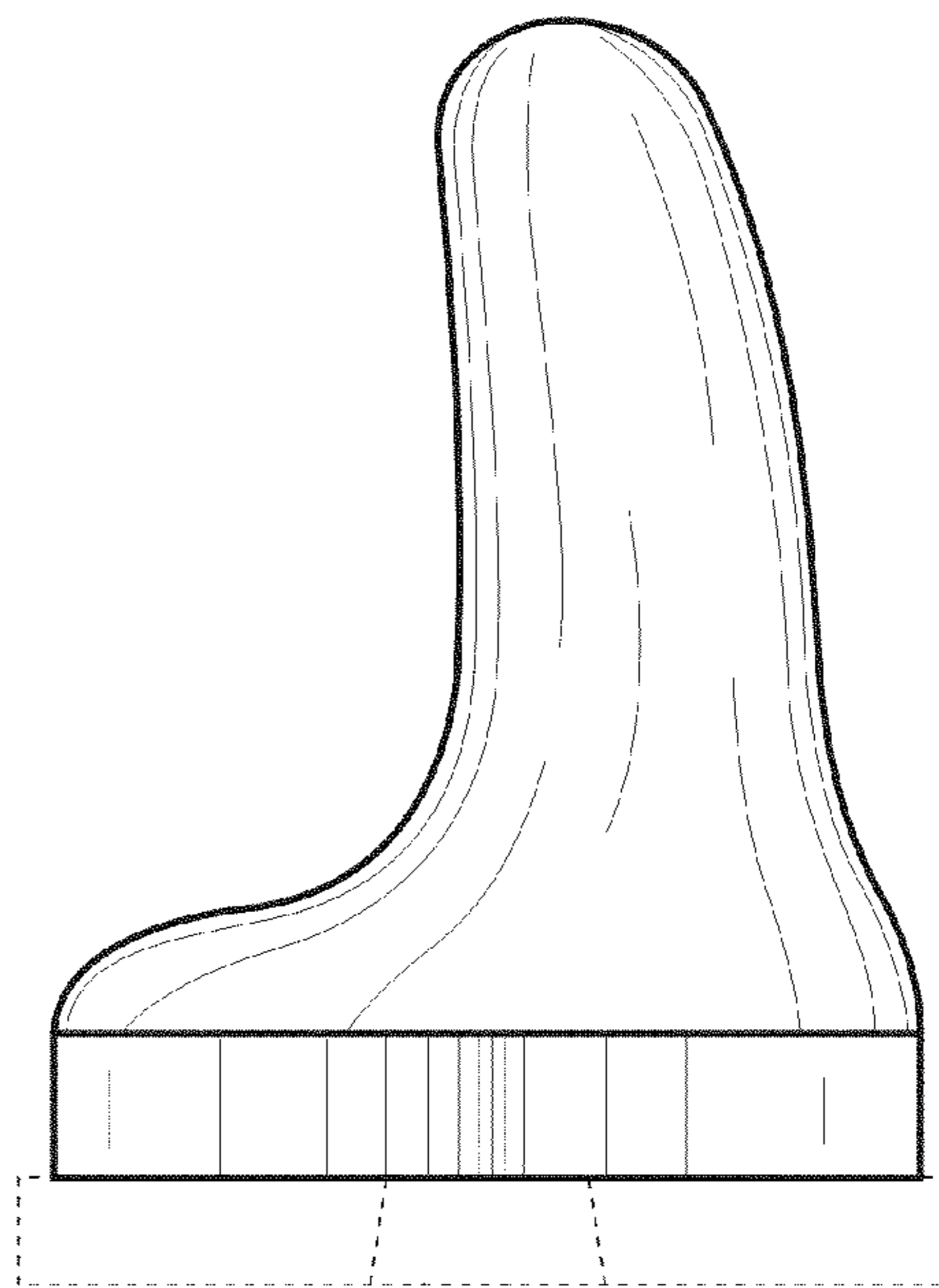


FIG. 31

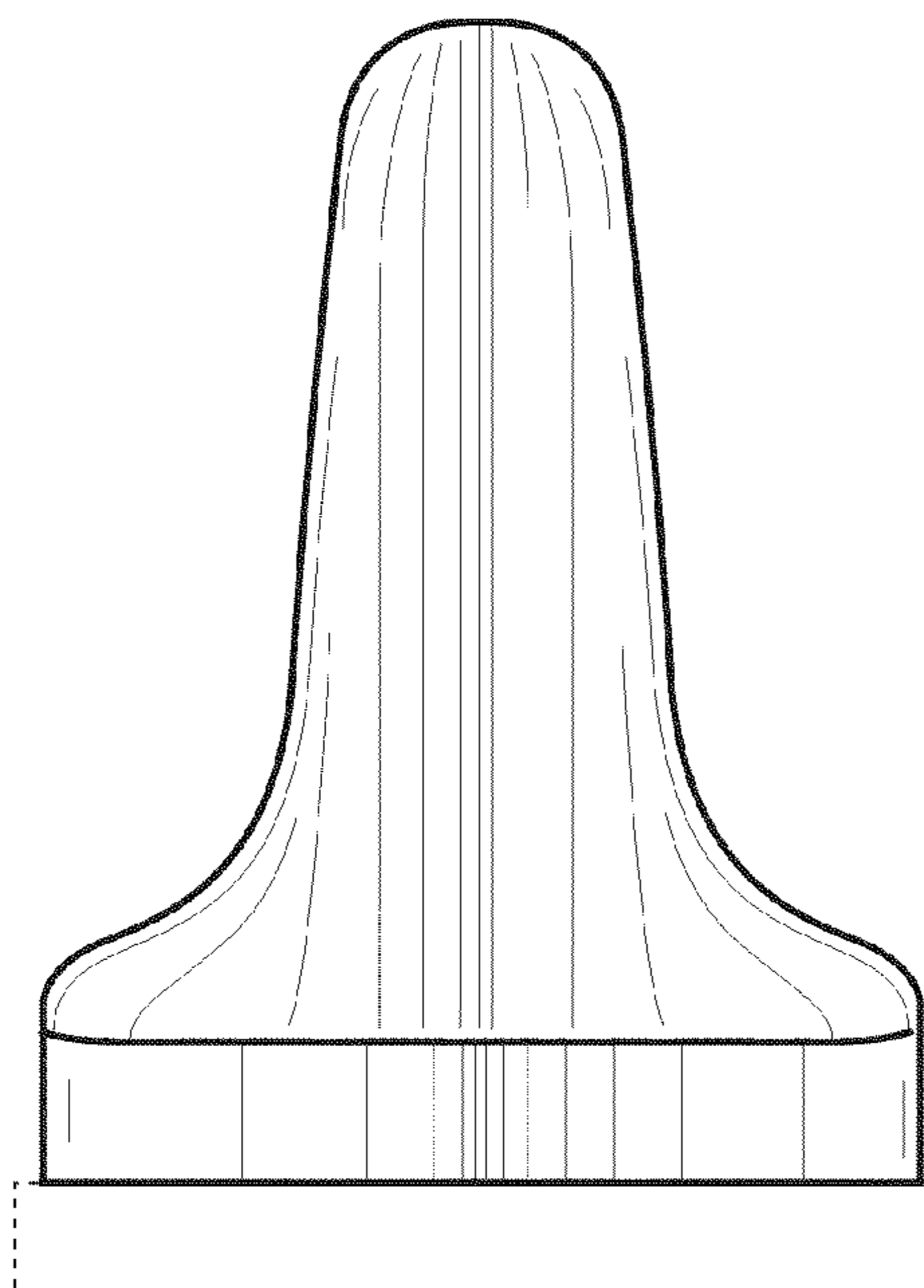


FIG. 32

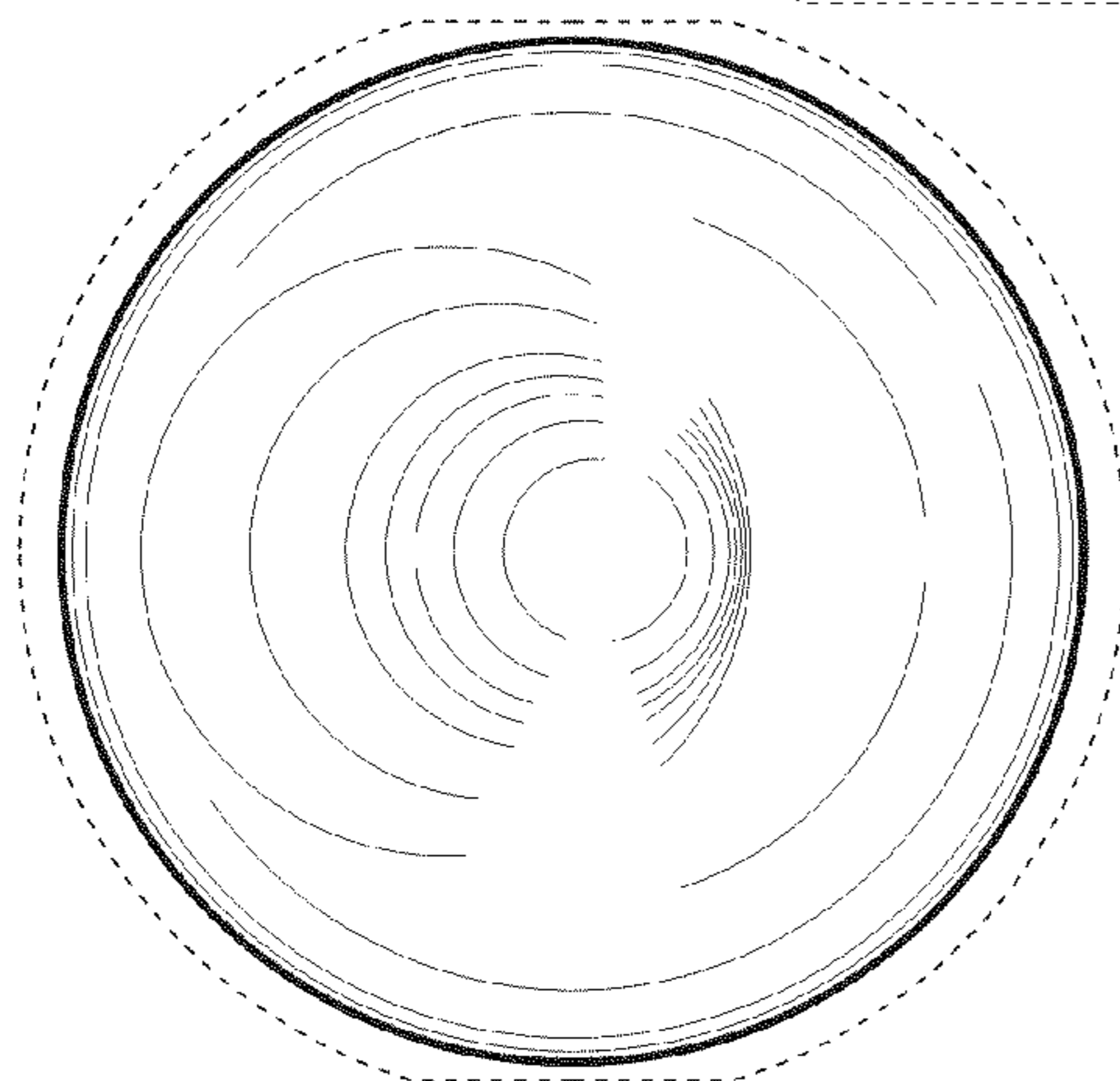


FIG. 33

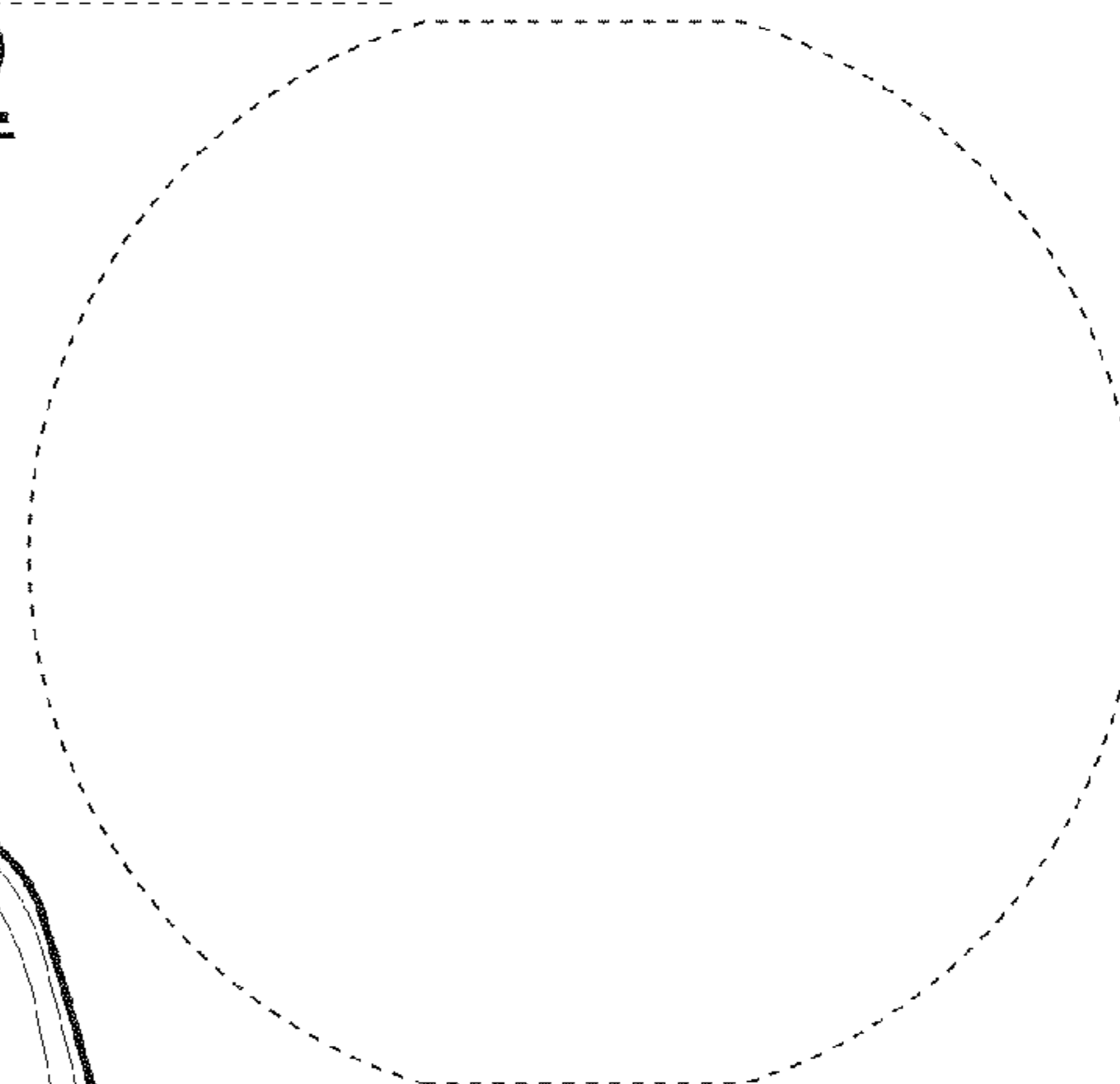


FIG. 34

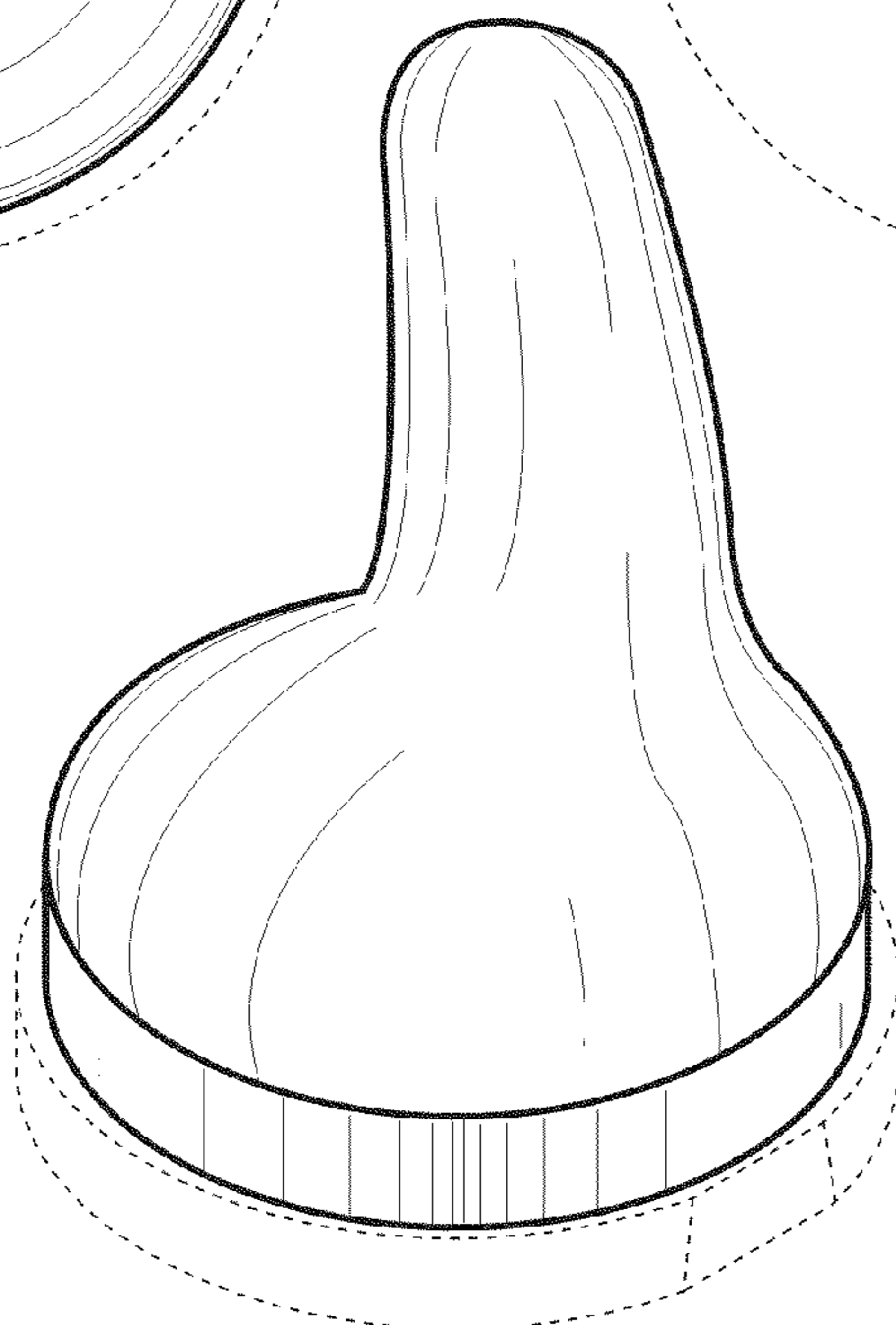


FIG. 35

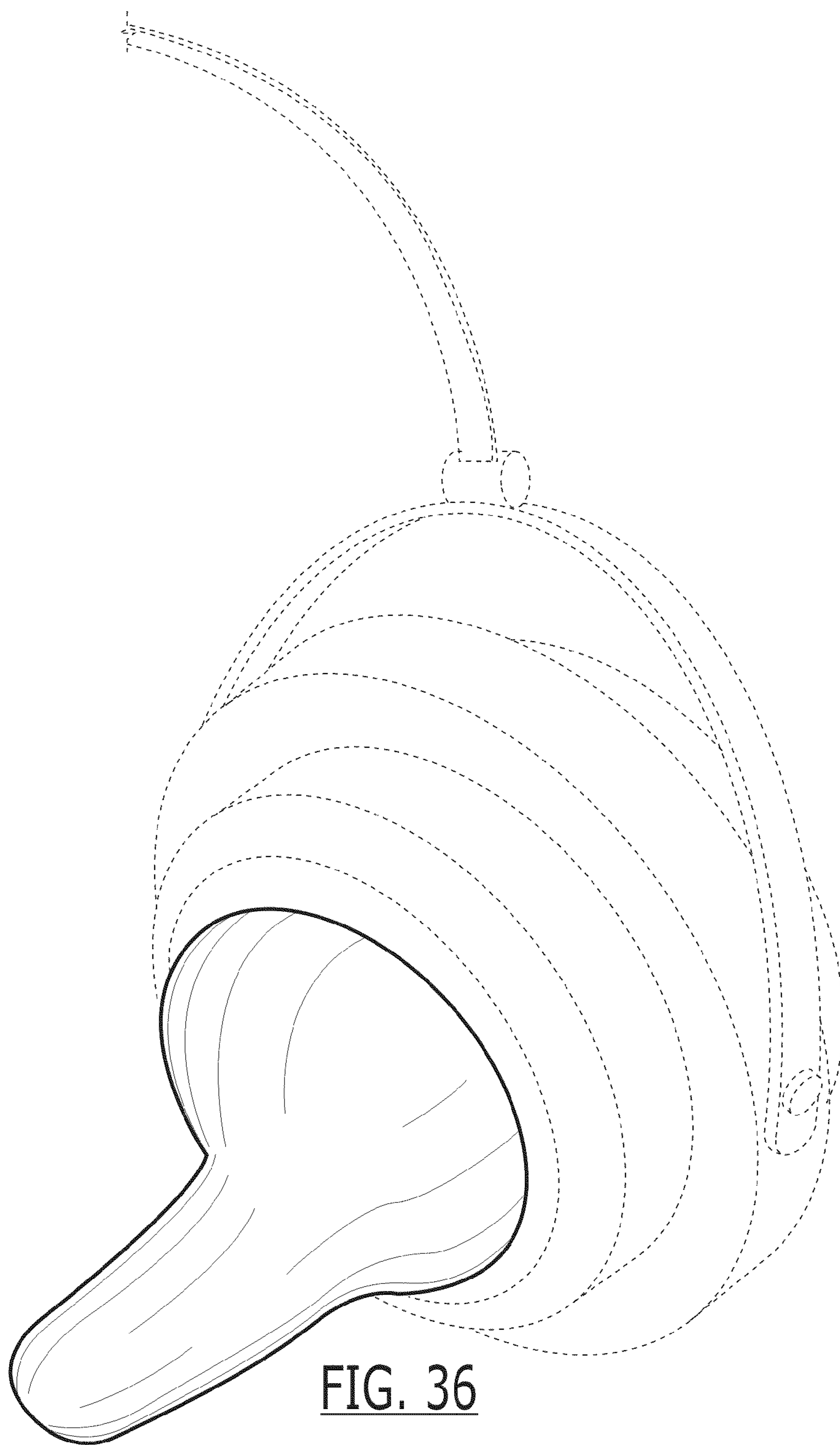


FIG. 36