



US00D645453S

(12) **United States Design Patent**
Kim et al.

(10) **Patent No.:** **US D645,453 S**

(45) **Date of Patent:** **** Sep. 20, 2011**

(54) **SPEAKER FOR HOME THEATER**

(56) **References Cited**

(75) Inventors: **Kyungmin Kim**, Seoul (KR); **Areum Kwon**, Seoul (KR); **Sooyoung Park**, Seoul (KR); **Kwangho Choi**, Seoul (KR); **Sangwon Yoon**, Seoul (KR)

U.S. PATENT DOCUMENTS

D417,874 S *	12/1999	Suzuki	D14/215
D470,474 S *	2/2003	Kobayashi	D14/215
D533,541 S *	12/2006	Motoishi	D14/215
D542,777 S *	5/2007	Sato	D14/215
D548,726 S *	8/2007	Ng et al.	D14/214
D585,051 S *	1/2009	Marchand et al.	D14/214
D588,107 S *	3/2009	Khoo et al.	D14/215
D592,645 S *	5/2009	Motoishi	D14/215
D597,531 S *	8/2009	Cho	D14/215

(73) Assignee: **LG Electronics Inc.**, Seoul (KR)

* cited by examiner

(**) Term: **14 Years**

Primary Examiner — Nanda Bondade

(21) Appl. No.: **29/385,726**

(74) *Attorney, Agent, or Firm* — Birch, Stewart, Kolasch & Birch, LLP

(22) Filed: **Feb. 18, 2011**

(57) **CLAIM**

The ornamental design for a speaker for home theater, as shown and described.

(30) **Foreign Application Priority Data**

DESCRIPTION

Aug. 20, 2010 (KR) 30-2010-0036476

(51) **LOC (9) Cl.** **14-01**

(52) **U.S. Cl.** **D14/215**

(58) **Field of Classification Search** D14/204,
D14/210–216, 172; 181/143–144, 147–148,
181/150–153, 157, 198–199; 381/300–303,
381/306, 332–333, 336, 345, 361–364, 386–388

FIG. 1 is a perspective view of a speaker for home theater showing our new design;
FIG. 2 is a front view thereof;
FIG. 3 is a rear view thereof;
FIG. 4 is a left side view thereof where the right side view is a mirror image;
FIG. 5 is a top plan view thereof; and,
FIG. 6 is a bottom plan view thereof.

See application file for complete search history.

1 Claim, 6 Drawing Sheets

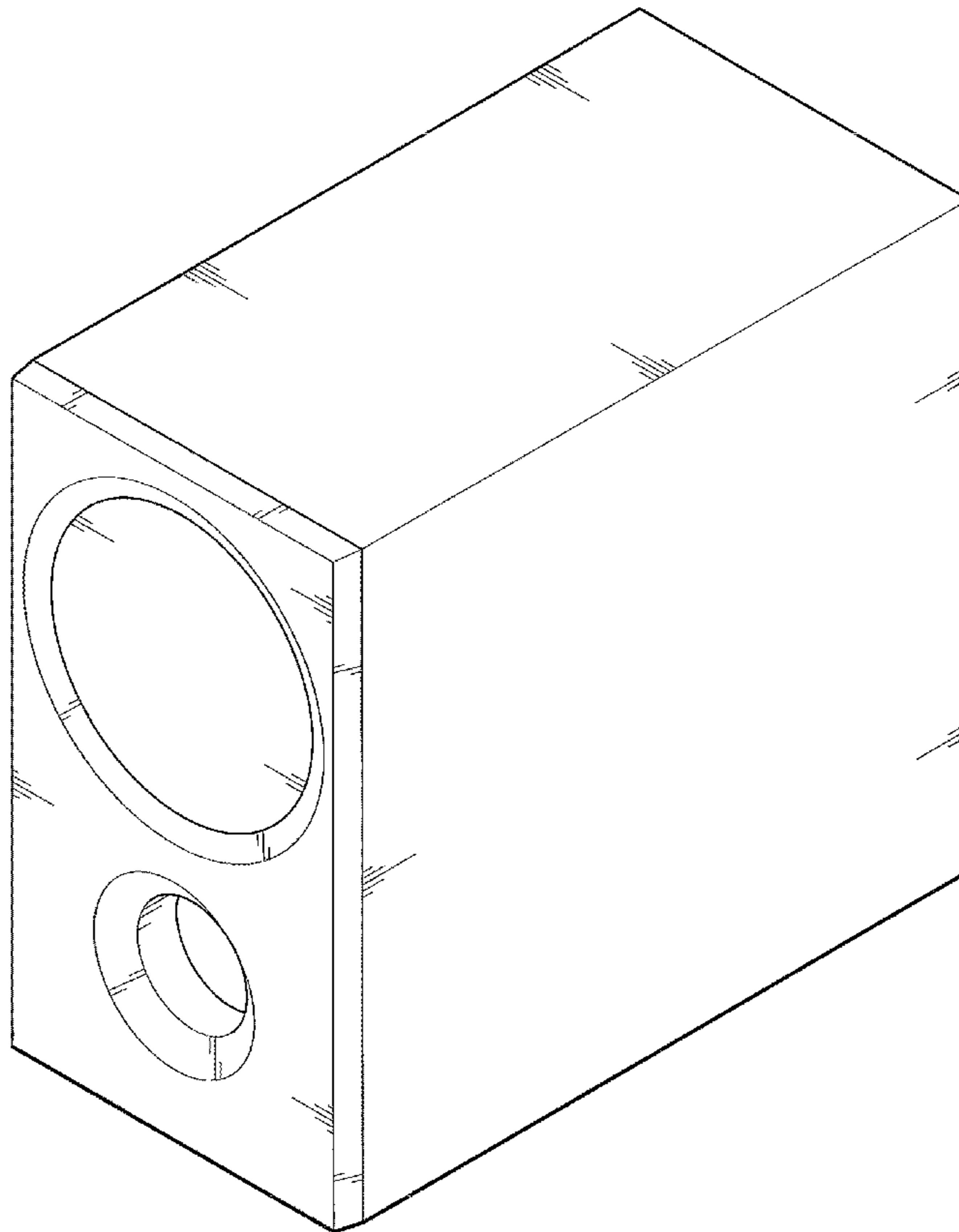


FIG. 1

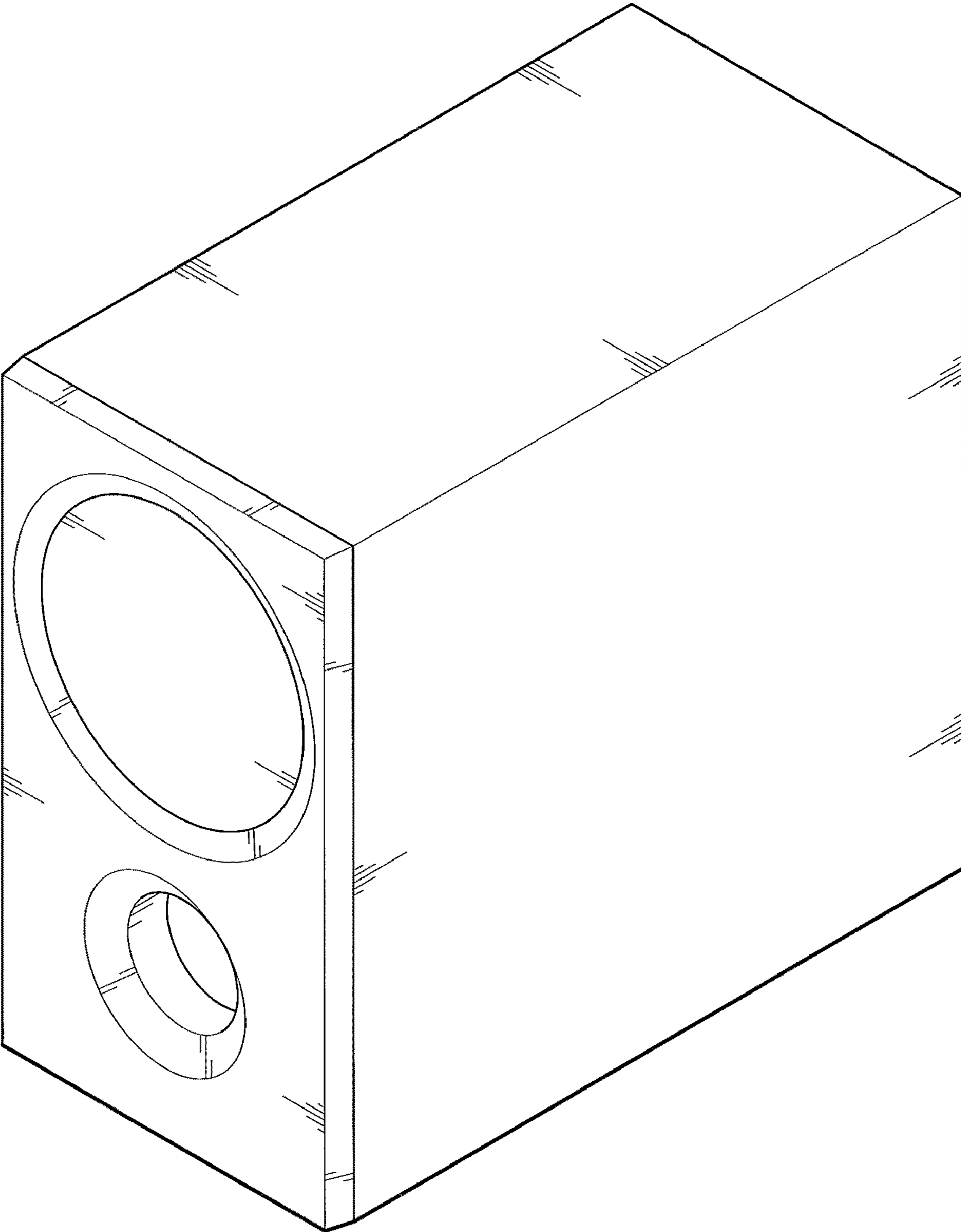


FIG. 2

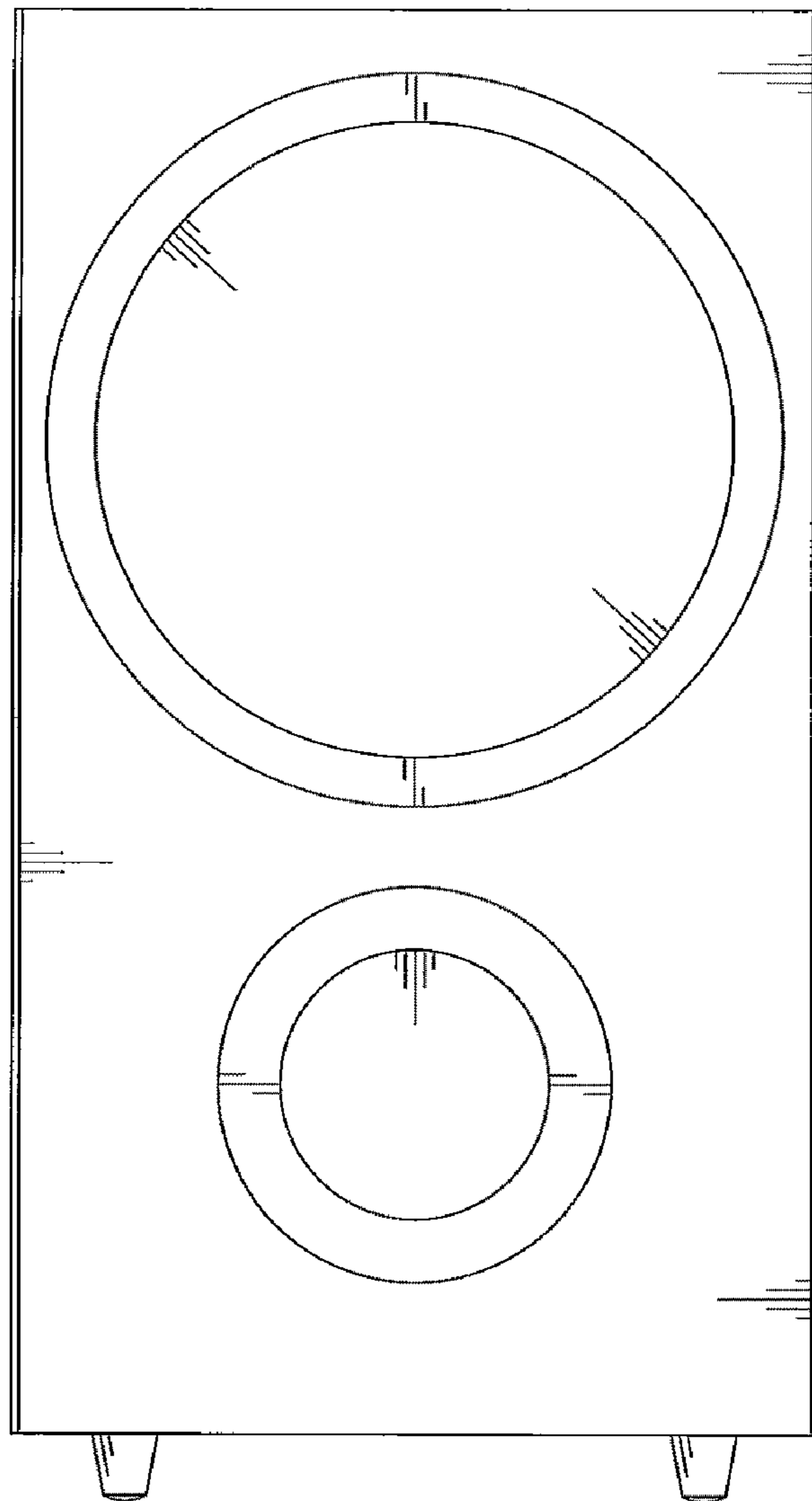


FIG. 3

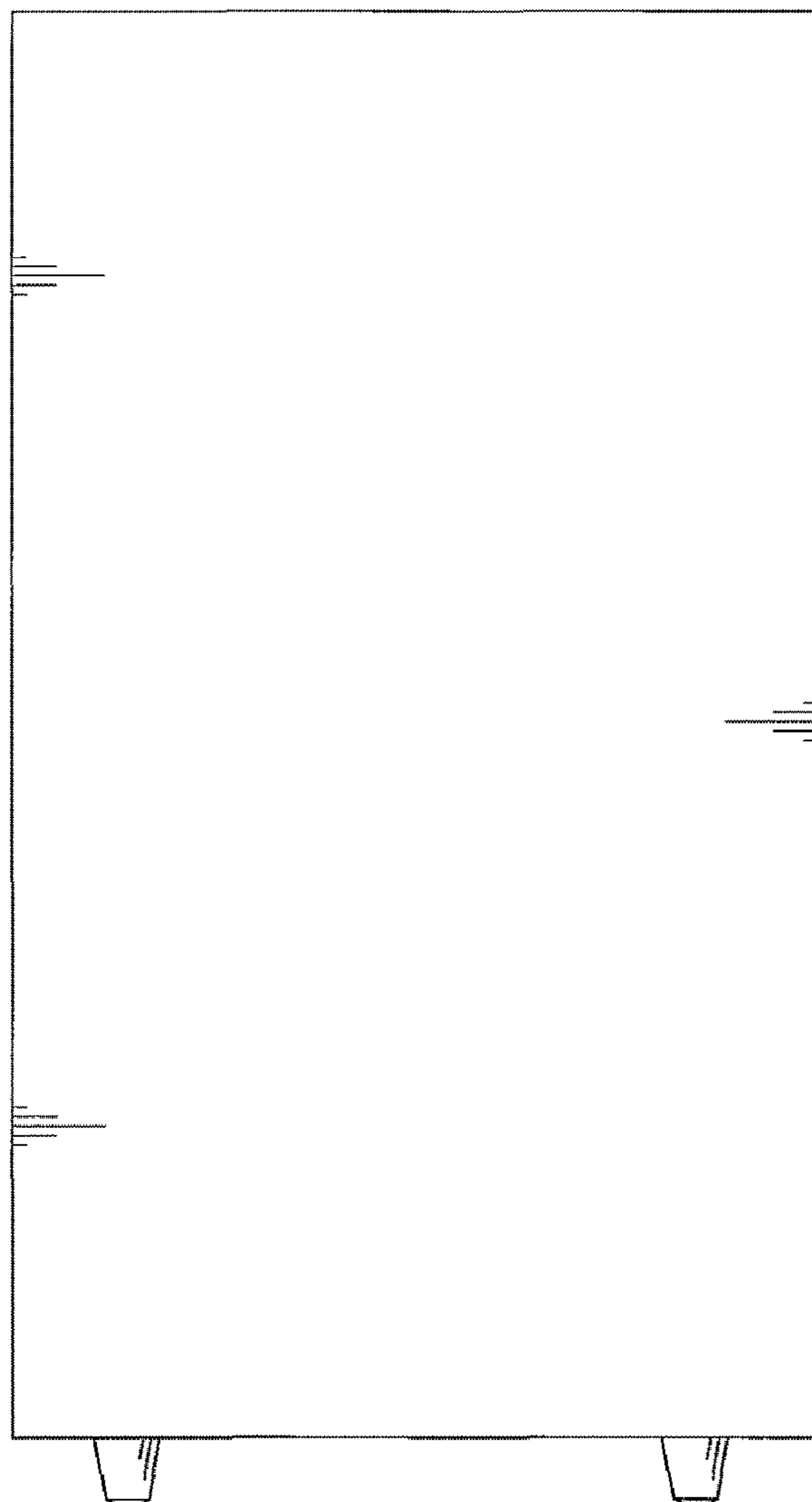


FIG. 4

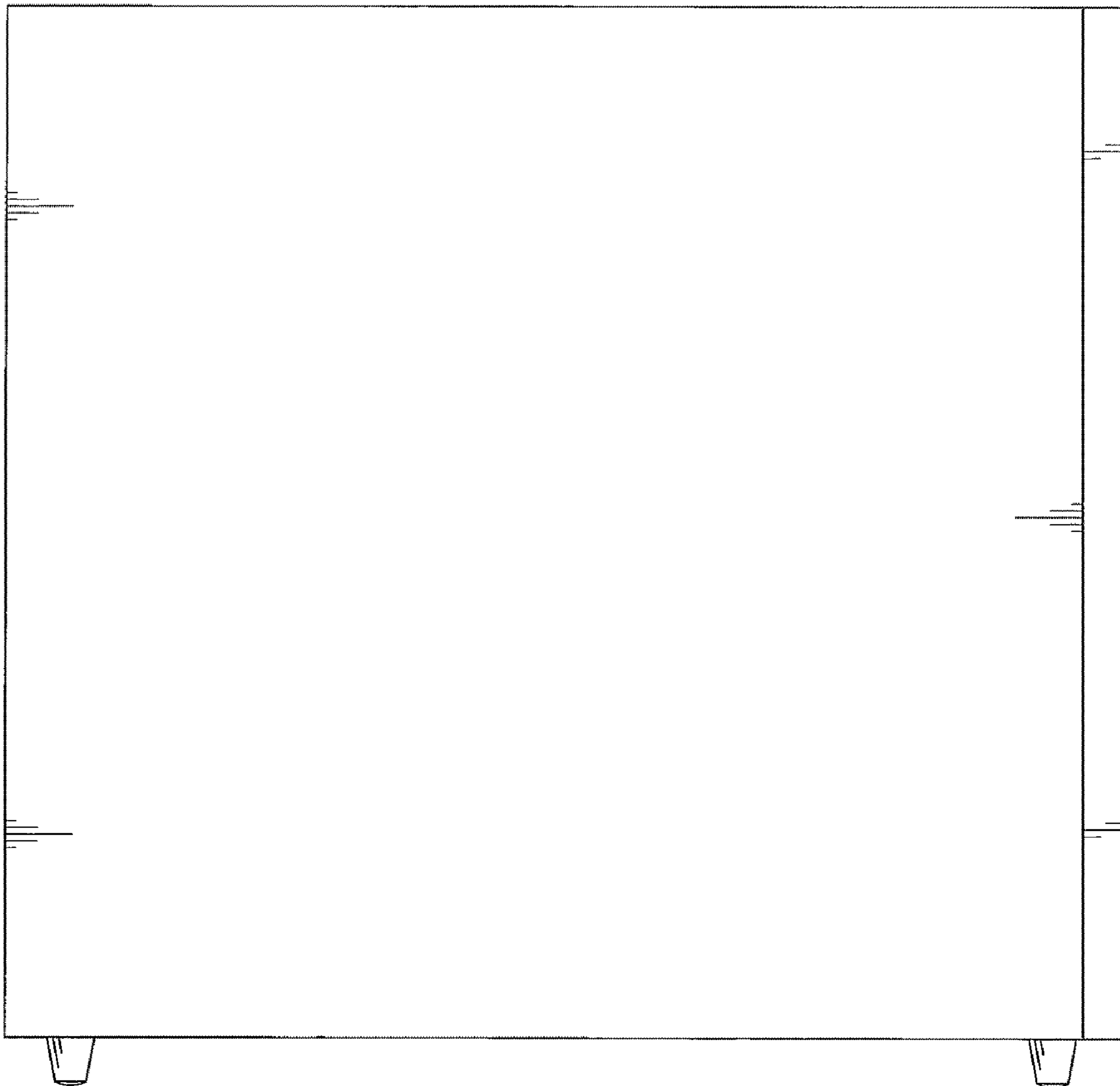


FIG. 5

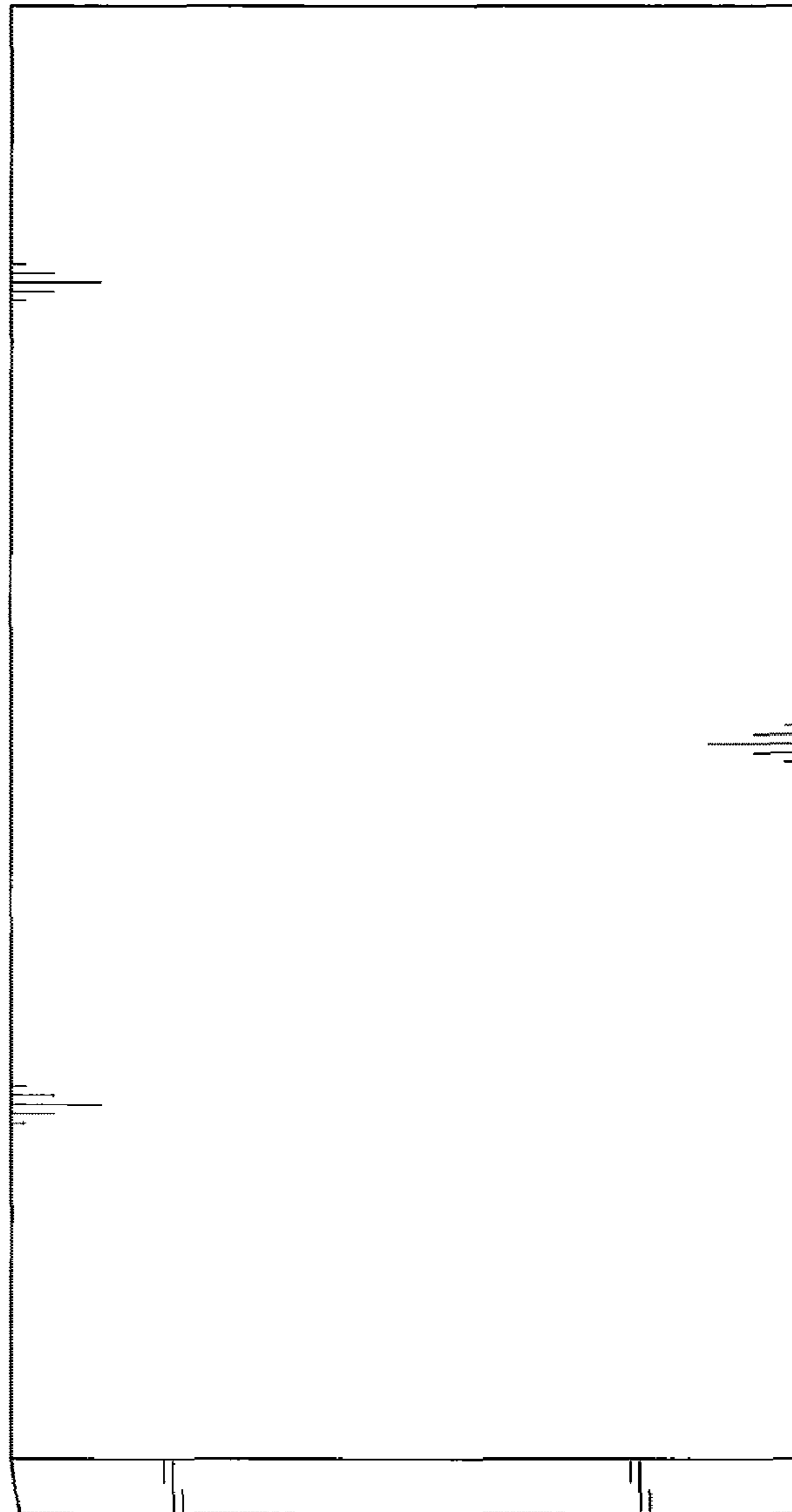


FIG. 6

