



US00D645447S

(12) **United States Design Patent**  
**Lee et al.**

(10) **Patent No.:** **US D645,447 S**  
(45) **Date of Patent:** **\*\* Sep. 20, 2011**

(54) **SPEAKER FOR HOME THEATER**  
  
(75) Inventors: **Jiyeon Lee**, Gyeonggi-do (KR); **Sunggu Joe**, Seoul (KR); **Sunghoon Oh**, Seoul (KR)

(73) Assignee: **LG Electronics Inc.**, Seoul (KR)

(\*\*) Term: **14 Years**

(21) Appl. No.: **29/384,707**

(22) Filed: **Feb. 3, 2011**

(30) **Foreign Application Priority Data**  
Aug. 5, 2010 (KR) ..... 30-2010-0034134  
(51) **LOC (9) Cl.** ..... **14-01**  
(52) **U.S. Cl.** ..... **D14/211**  
(58) **Field of Classification Search** ..... D14/204,  
D14/210-216, 172; 181/143-144, 147-148,  
181/150-153, 157, 198-199; 381/300-303,  
381/306, 332-333, 336, 345, 361-364, 386-388  
See application file for complete search history.

(56) **References Cited**  
  
U.S. PATENT DOCUMENTS  
D506,745 S \* 6/2005 Sitoh ..... D14/214  
D541,790 S \* 5/2007 Yoon ..... D14/215  
D552,083 S \* 10/2007 Reawsanguanwong ..... D14/214  
D576,150 S \* 9/2008 Lim et al. .... D14/211  
D588,107 S \* 3/2009 Khoo et al. .... D14/215  
\* cited by examiner

*Primary Examiner* — Nanda Bondade  
(74) *Attorney, Agent, or Firm* — Birch, Stewart, Kolasch & Birch, LLP

(57) **CLAIM**  
The ornamental design for a speaker for home theater, as shown and described.

**DESCRIPTION**  
  
FIG. 1 is a perspective view of a speaker for home theater showing our new design;  
FIG. 2 is a front view thereof;  
FIG. 3 is a rear view thereof;  
FIG. 4 is a left side view thereof where the right side view is a mirror image;  
FIG. 5 is a top plan view thereof; and,  
FIG. 6 is a bottom plan view thereof.

**1 Claim, 5 Drawing Sheets**

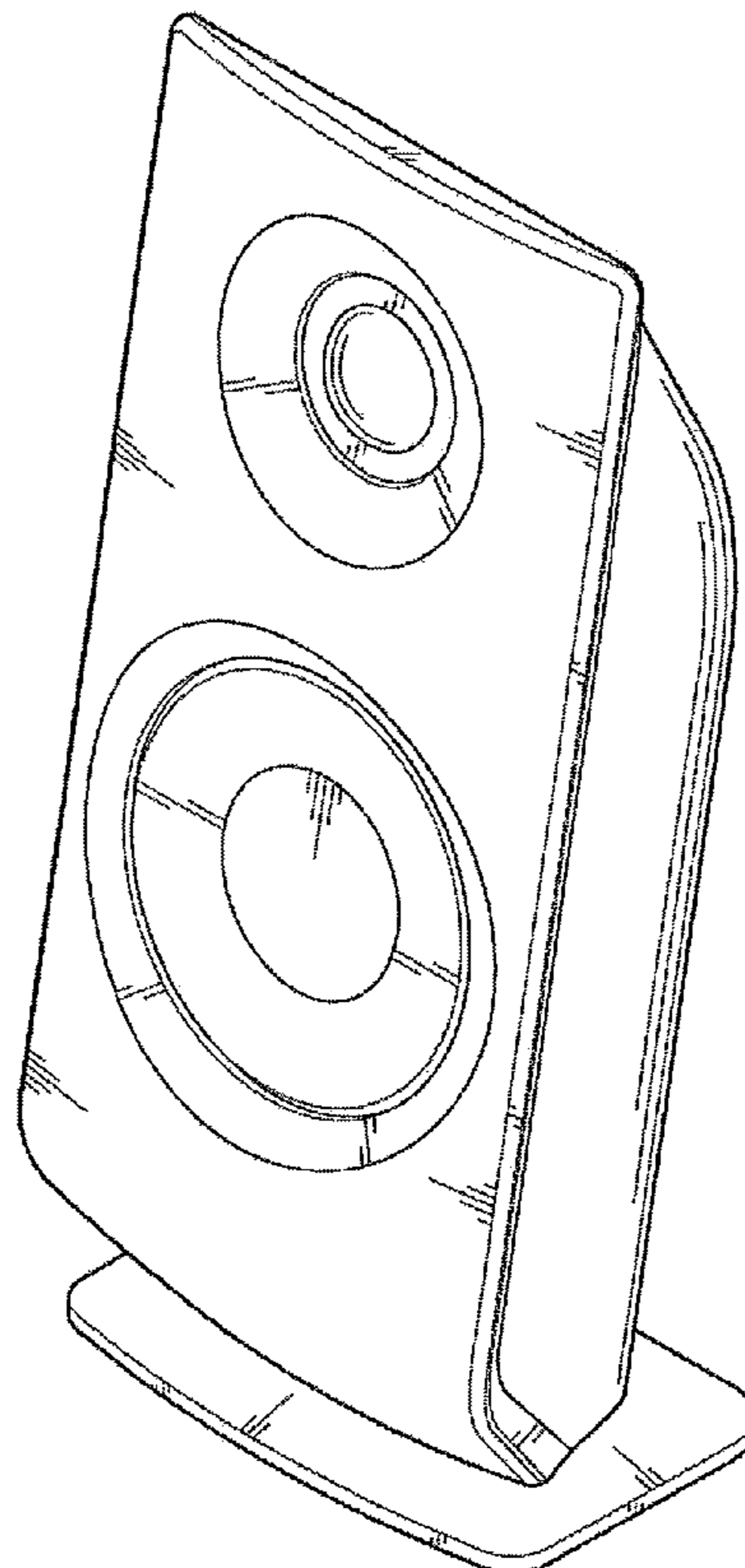


FIG. 1

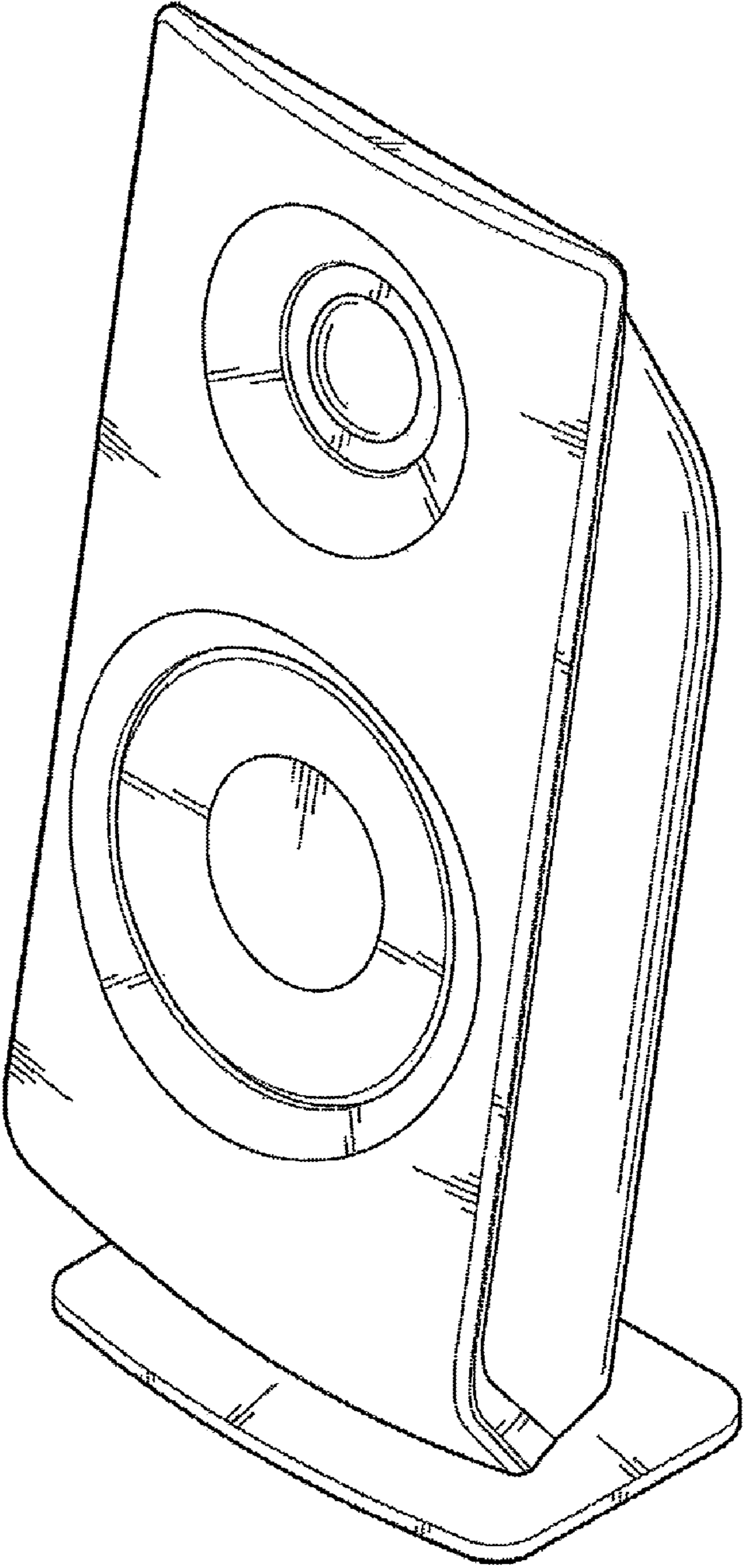


FIG. 2

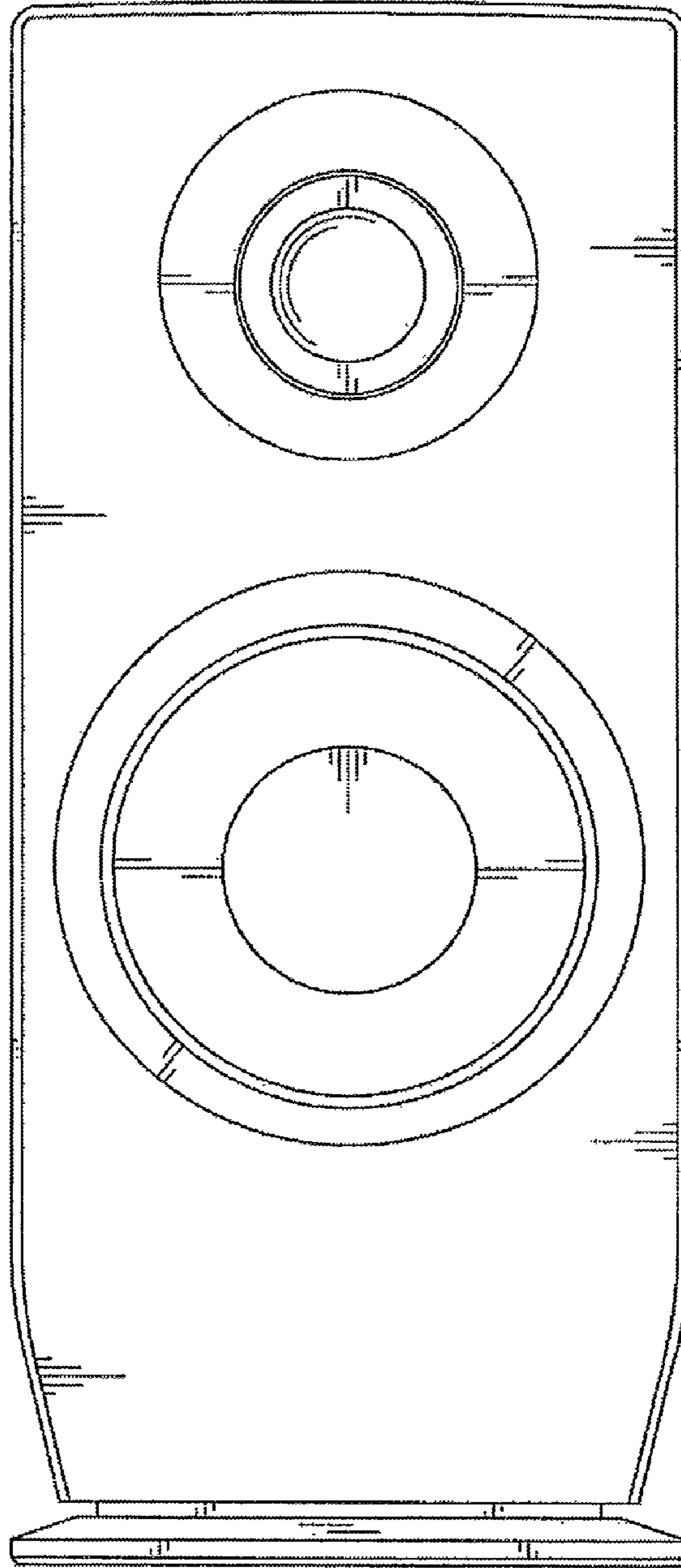


FIG. 3

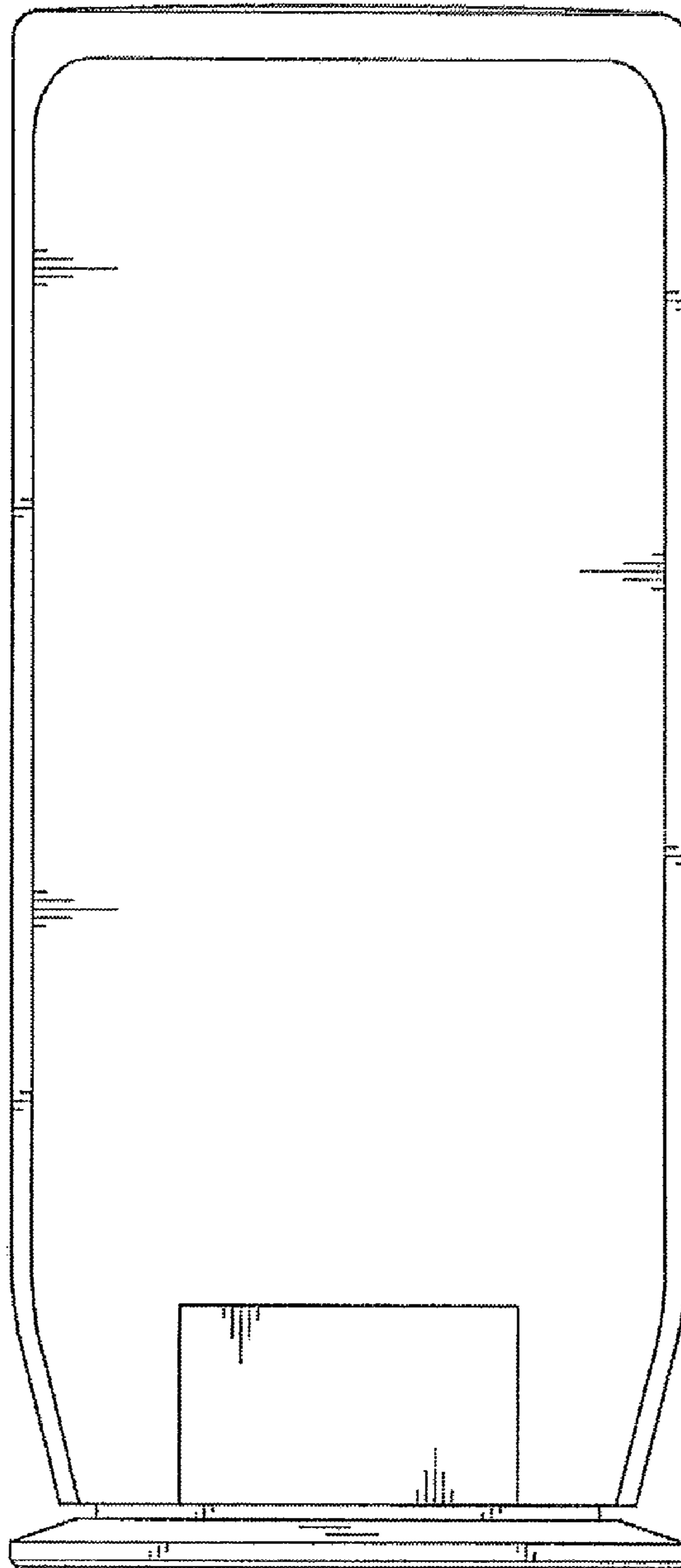


FIG. 4

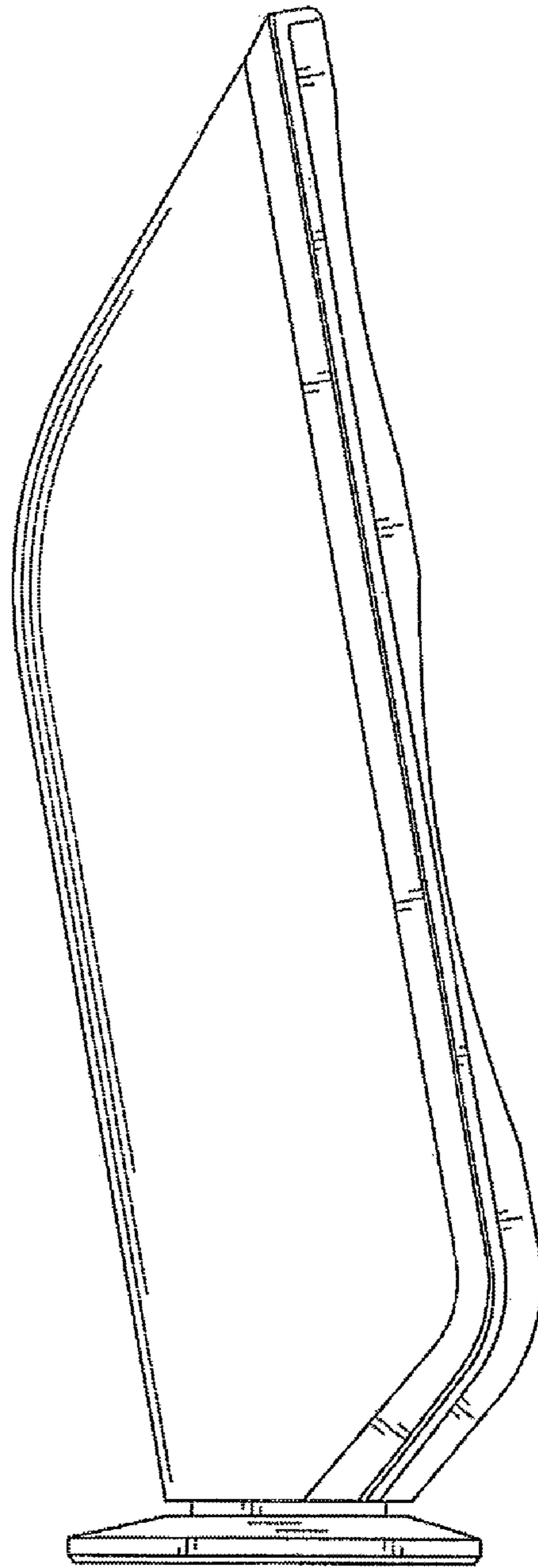


FIG. 5

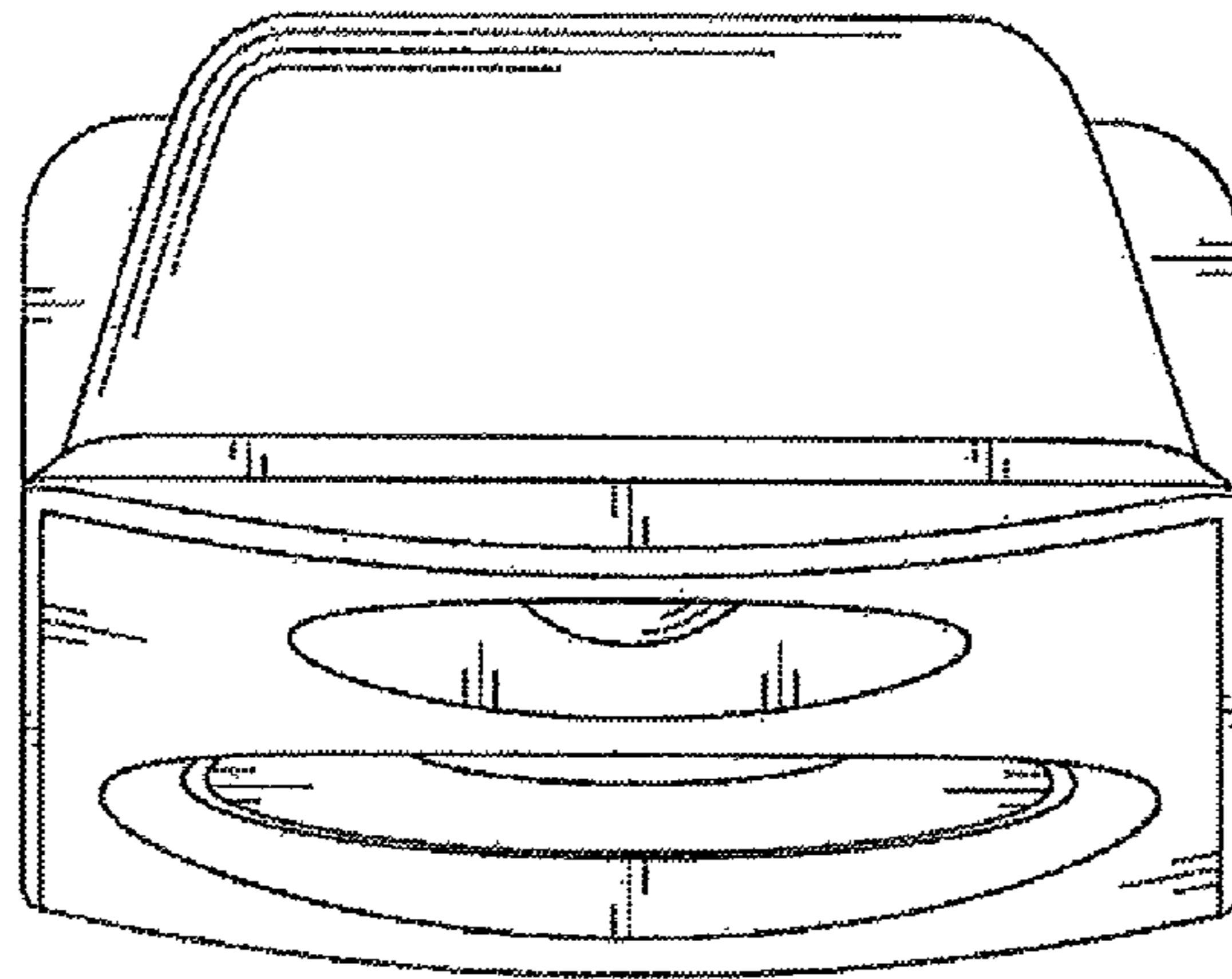


FIG. 6

