



US00D645441S

(12) **United States Design Patent**  
**Choe et al.**

(10) **Patent No.:** **US D645,441 S**

(45) **Date of Patent:** **\*\* Sep. 20, 2011**

(54) **MOBILE PHONE**

(75) Inventors: **Sharim Choe**, Seoul (KR); **Sunglyong Kim**, Incheon (KR); **Chanwoo Park**, Gyeonggi-do (KR)

(73) Assignee: **LG Electronics Inc.**, Seoul (KR)

(\*\*) Term: **14 Years**

(21) Appl. No.: **29/382,840**

(22) Filed: **Jan. 7, 2011**

(30) **Foreign Application Priority Data**

Jul. 9, 2010 (KR) ..... 30-2010-0030260

(51) **LOC (9) Cl.** ..... **14-03**

(52) **U.S. Cl.** ..... **D14/138 G**

(58) **Field of Classification Search** ..... D14/138 R,  
D14/138 AD, 138 AC, 138 C, 138 G, 191,  
D14/203.1-203.8, 496, 138 AA, 138 AB,  
D14/137, 147, 218, 341-347, 247-248; D10/65,  
D10/78, 104; D13/168; D18/7; 455/566,  
455/575.1, 575.3

See application file for complete search history.

(56) **References Cited**

**U.S. PATENT DOCUMENTS**

D337,569 S \* 7/1993 Kando ..... D14/341  
D540,203 S \* 4/2007 Jeon ..... D10/65  
D577,353 S \* 9/2008 Kim et al. .... D14/138 AD  
D577,704 S \* 9/2008 Park et al. .... D14/138 AD  
D581,384 S \* 11/2008 Kim et al. .... D14/138 AD  
D589,487 S \* 3/2009 Park et al. .... D14/138 AD  
D591,252 S \* 4/2009 Kim et al. .... D14/138 G  
D592,628 S \* 5/2009 Kim et al. .... D14/138 AD  
D593,059 S \* 5/2009 Kim et al. .... D14/138 G  
D597,512 S \* 8/2009 Kim et al. .... D14/138 G  
D600,690 S \* 9/2009 Miyaji ..... D14/341  
D601,535 S \* 10/2009 Huang ..... D14/138 AD  
D605,626 S \* 12/2009 Park ..... D14/203.7  
D619,555 S \* 7/2010 Yang et al. .... D14/138 G  
D631,028 S \* 1/2011 Park et al. .... D14/138 G  
D631,029 S \* 1/2011 Park et al. .... D14/138 G

D633,067 S \* 2/2011 Park et al. .... D14/138 AD  
D633,892 S \* 3/2011 Chen ..... D14/138 AD  
D635,537 S \* 4/2011 Kim ..... D14/138 G  
D635,951 S \* 4/2011 Park et al. .... D14/138 G  
D635,952 S \* 4/2011 Park et al. .... D14/138 G  
2009/0291678 A1\* 11/2009 Lee et al. .... 455/418  
2010/0099463 A1\* 4/2010 Kim et al. .... 455/566  
2010/0248796 A1\* 9/2010 Higashigawa et al. .... 455/575.4  
2011/0070929 A1\* 3/2011 Li ..... 455/575.1

**OTHER PUBLICATIONS**

Acer neoTouch P300, announced Feb. 2010, [online], [retrieved on Feb. 17, 2010 & Sep. 29, 2010]. Retrieved from Internet ,<URL: <http://www.gsmarena.com>>.\*

Garmin-Asus A10, announced Apr. 2010, [online], [retrieved on Jun. 11, 2010]. Retrieved from Internet ,<URL: <http://www.gsmarena.com>>.\*

LG KF700, announced Feb. 2008, [online], [retrieved on Mar. 21, 2008 & May 14, 2008]. Retrieved from Internet ,<URL: <http://www.gsmarena.com>>.\* LG Optimus 3D P920, announced Jan. 2011, [online], [retrieved on Feb. 17, 2011]. Retrieved from Internet ,<URL: <http://www.gsmarena.com>>.\*

\* cited by examiner

*Primary Examiner* — Bridget L Eland

(74) *Attorney, Agent, or Firm* — Birch, Stewart, Kolasch & Birch, LLP

(57) **CLAIM**

The ornamental design for a mobile phone, as shown and described.

**DESCRIPTION**

FIG. 1 is a perspective view of a mobile phone showing our new design;

FIG. 2 is a front view thereof;

FIG. 3 is a rear view thereof;

FIG. 4 is a left side view thereof;

FIG. 5 is a right side view thereof;

FIG. 6 is a top plan view thereof;

FIG. 7 is a bottom plan view thereof; and,

FIG. 8 is a front view thereof showing the state of operating.

**1 Claim, 7 Drawing Sheets**

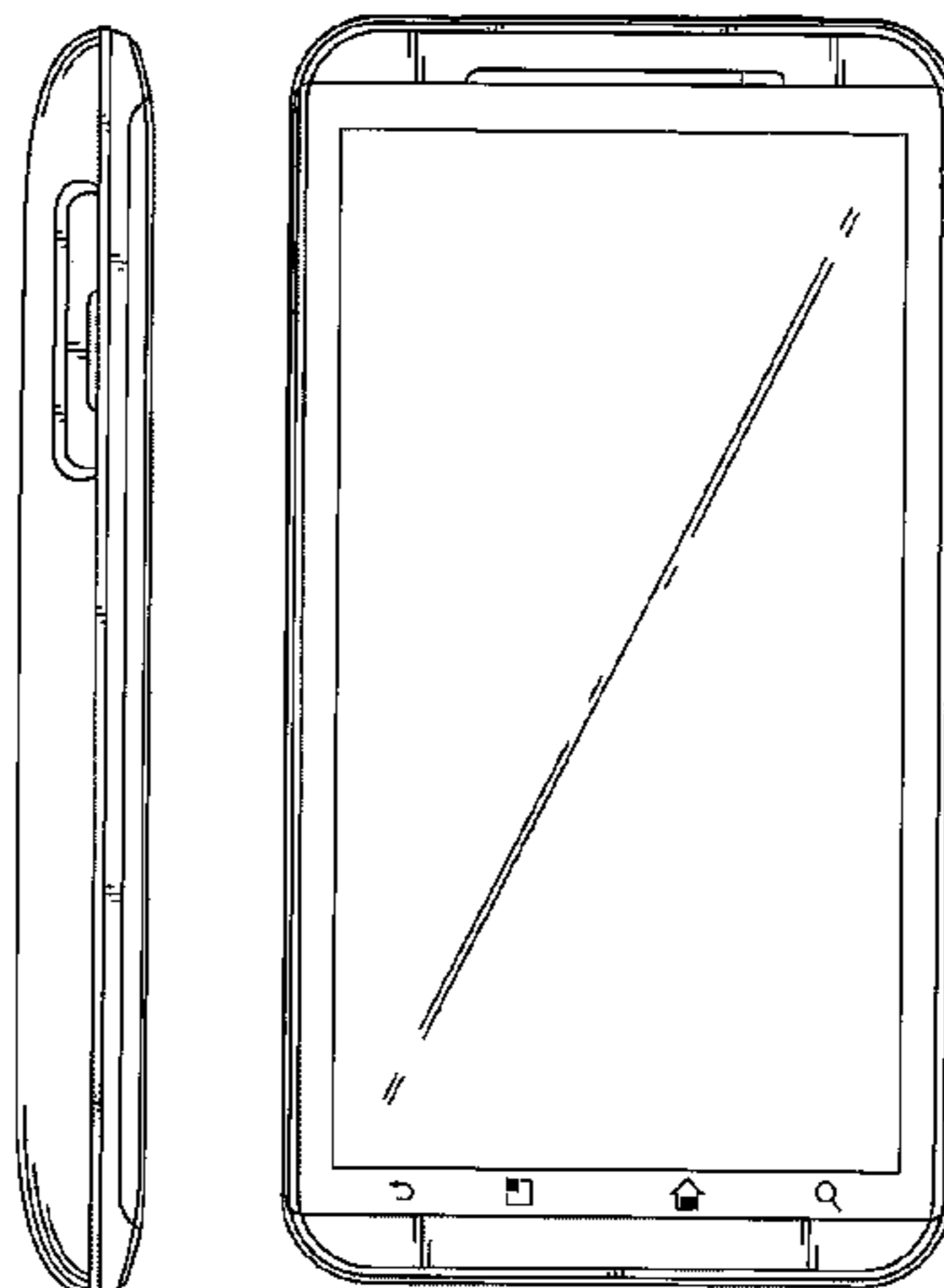


FIG. 1

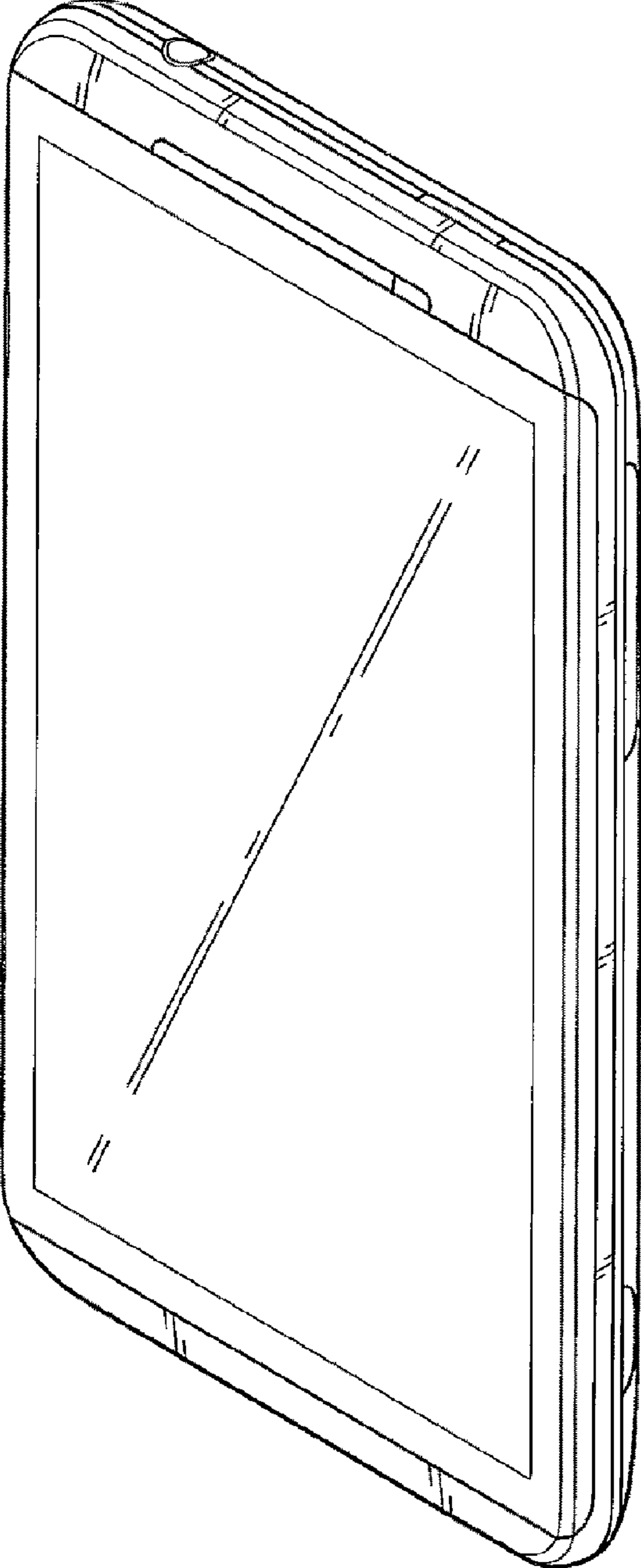


FIG. 2

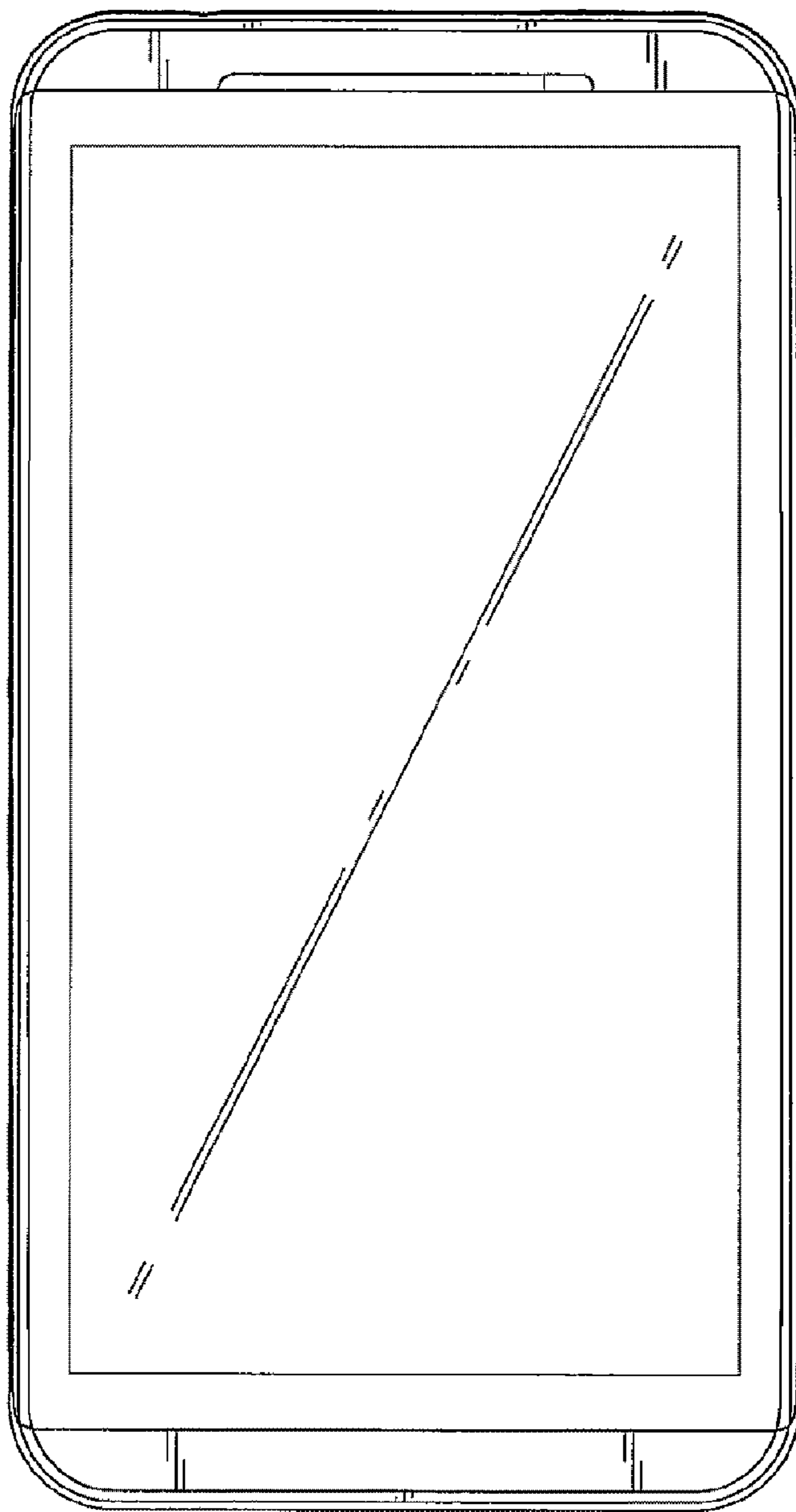


FIG. 3

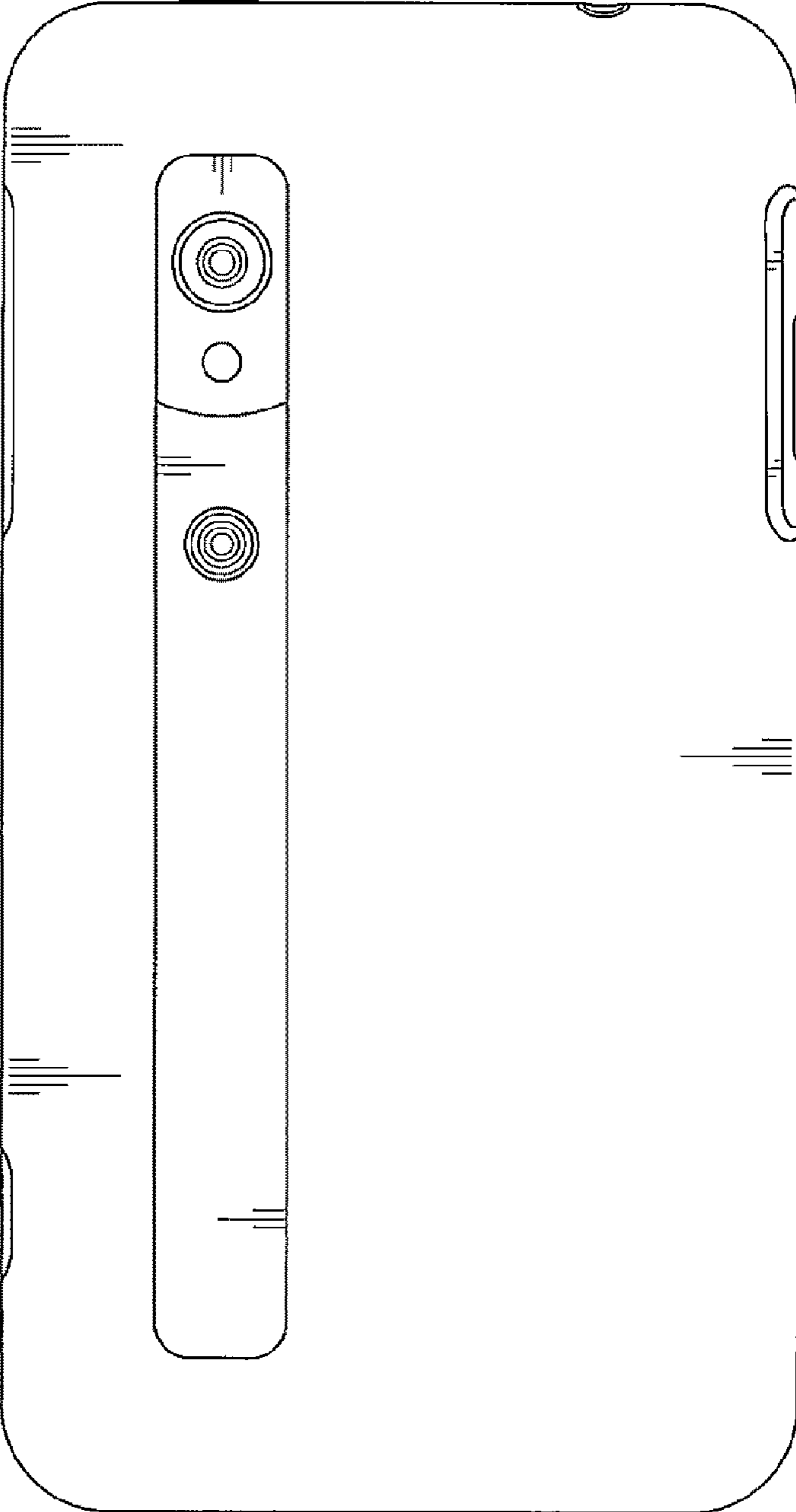


FIG. 4

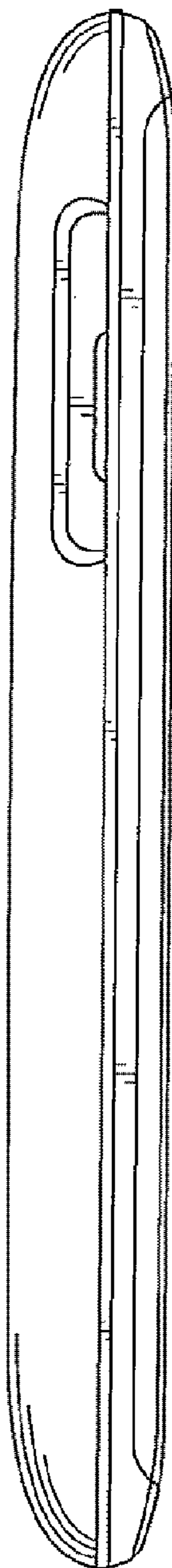


FIG. 5

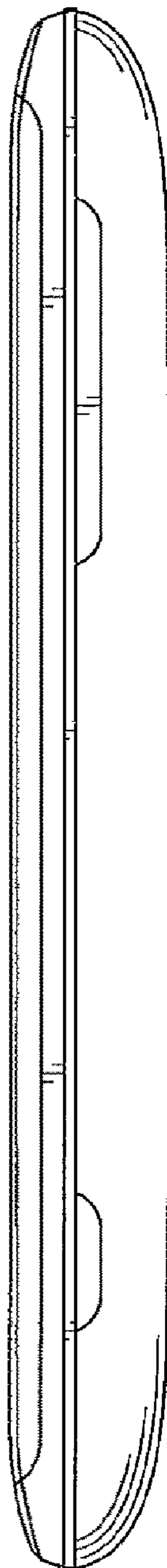


FIG. 6

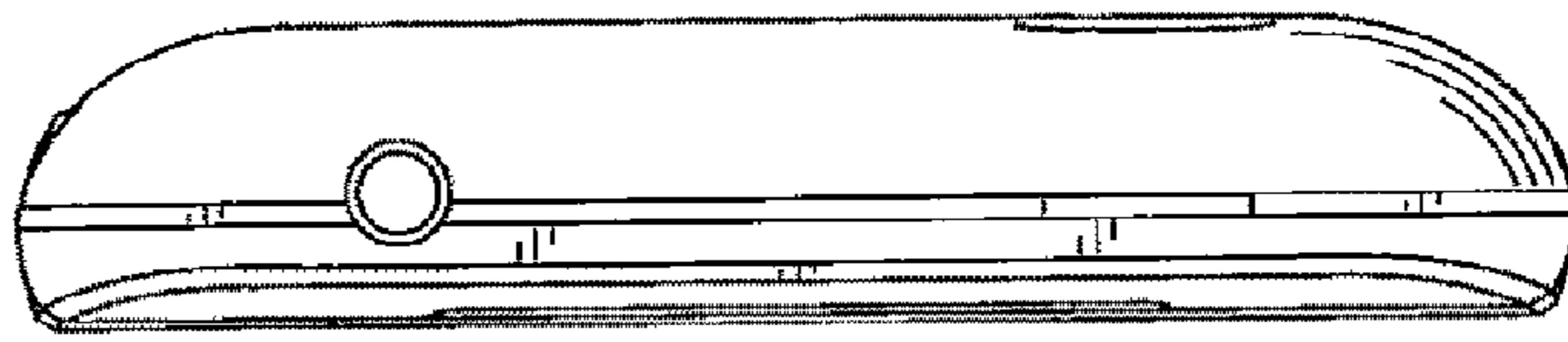


FIG. 7

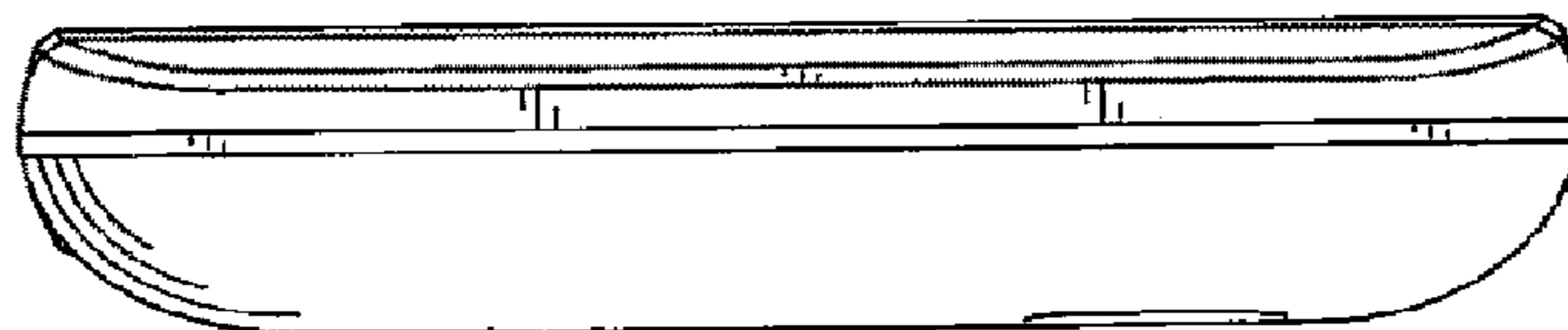


FIG. 8

