



US00D645438S

(12) **United States Design Patent**  
**Chung**

(10) **Patent No.:** **US D645,438 S**

(45) **Date of Patent:** **\*\* Sep. 20, 2011**

(54) **MOBILE PHONE**

(75) Inventor: **Jin-Man Chung**, Goyang-si (KR)

(73) Assignee: **Samsung Electronics Co., Ltd.**,  
Suwon-si (KR)

(\*\*) Term: **14 Years**

(21) Appl. No.: **29/380,506**

(22) Filed: **Dec. 7, 2010**

(30) **Foreign Application Priority Data**

Oct. 5, 2010 (KR) ..... 30-2010-0043299

(51) **LOC (9) Cl.** ..... **14-03**

(52) **U.S. Cl.** ..... **D14/138 AD**

(58) **Field of Classification Search** ..... D14/138 R,  
D14/138 AD, 138 AC, 138 C, 138 G, 191,  
D14/203.1–203.8, 496, 138 AA, 138 AB,  
D14/137, 147, 218, 341–347, 247–248; D10/65,  
D10/78, 104; D13/168; D18/7; 455/566,  
455/575.1, 575.3, 575.4

See application file for complete search history.

(56) **References Cited**

**U.S. PATENT DOCUMENTS**

D531,610 S *	11/2006	Kim et al.	.....	D14/138 AD
D535,968 S *	1/2007	Lee	.....	D14/138 AD
D536,691 S *	2/2007	Park	.....	D14/138 AD
D543,176 S *	5/2007	Hyun et al.	.....	D14/138 G
D545,289 S *	6/2007	Wang	.....	D14/138 AD
D545,291 S *	6/2007	Chuang et al.	.....	D14/138 AD
D549,204 S *	8/2007	Cho	.....	D14/138 AD
D551,646 S *	9/2007	Kim et al.	.....	D14/138 AC
7,269,450 B2 *	9/2007	Lee et al.	.....	455/575.1
D563,369 S *	3/2008	Kim et al.	.....	D14/138 AD
D569,365 S *	5/2008	Shin et al.	.....	D14/138 AC
D579,435 S *	10/2008	Han et al.	.....	D14/138 AD
D590,796 S *	4/2009	Kim et al.	.....	D14/138 AD
D597,518 S *	8/2009	Asmussen	.....	D14/138 AD
D601,107 S *	9/2009	Kim et al.	.....	D14/138 AD
D605,161 S *	12/2009	Eaton	.....	D14/138 AD

D605,623 S *	12/2009	Aarras	.....	D14/138 AD
D609,679 S *	2/2010	Suk et al.	.....	D14/138 AD
D612,362 S *	3/2010	Yeo et al.	.....	D14/203.7
D616,858 S *	6/2010	Chang	.....	D14/138 AD
D617,759 S *	6/2010	Leinvuo et al.	.....	D14/138 AD
D617,763 S *	6/2010	Liu et al.	.....	D14/138 AD
D617,764 S *	6/2010	Liu et al.	.....	D14/138 AD
D619,114 S *	7/2010	Lu	.....	D14/138 AD
2005/0255897 A1 *	11/2005	Lee et al.	.....	455/575.4
2006/0205450 A1 *	9/2006	Amano et al.	.....	455/575.4

**OTHER PUBLICATIONS**

iNQ iNQ1, announced Feb. 2009, [online], [retrieved on Nov. 24, 2009]. Retrieved from Internet ,<URL: <http://www.gsmarena.com>>.\*

Sagem my721z, announced Feb. 2008, [online], [retrieved on Mar. 21, 2008]. Retrieved from Internet ,<URL: <http://www.gsmarena.com>>.\*

Samsung F250, announced Aug. 2007, [online], [retrieved on Dec. 13, 2007]. Retrieved from Internet ,<URL: <http://www.gsmarena.com>>.\*

\* cited by examiner

*Primary Examiner* — Bridget L Eland

(74) *Attorney, Agent, or Firm* — Staas & Halsey LLP

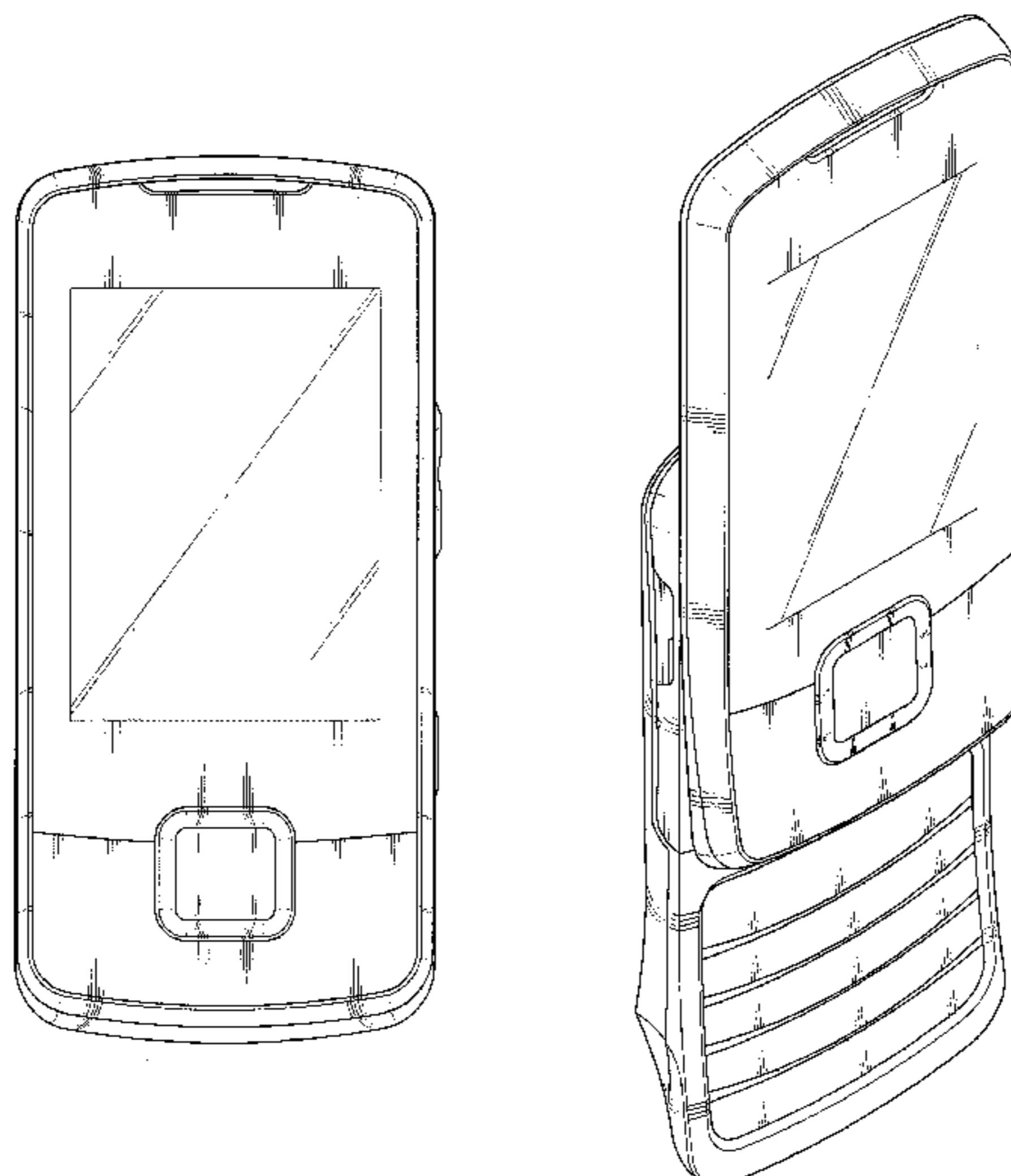
(57) **CLAIM**

The ornamental design for a mobile phone, as shown and described.

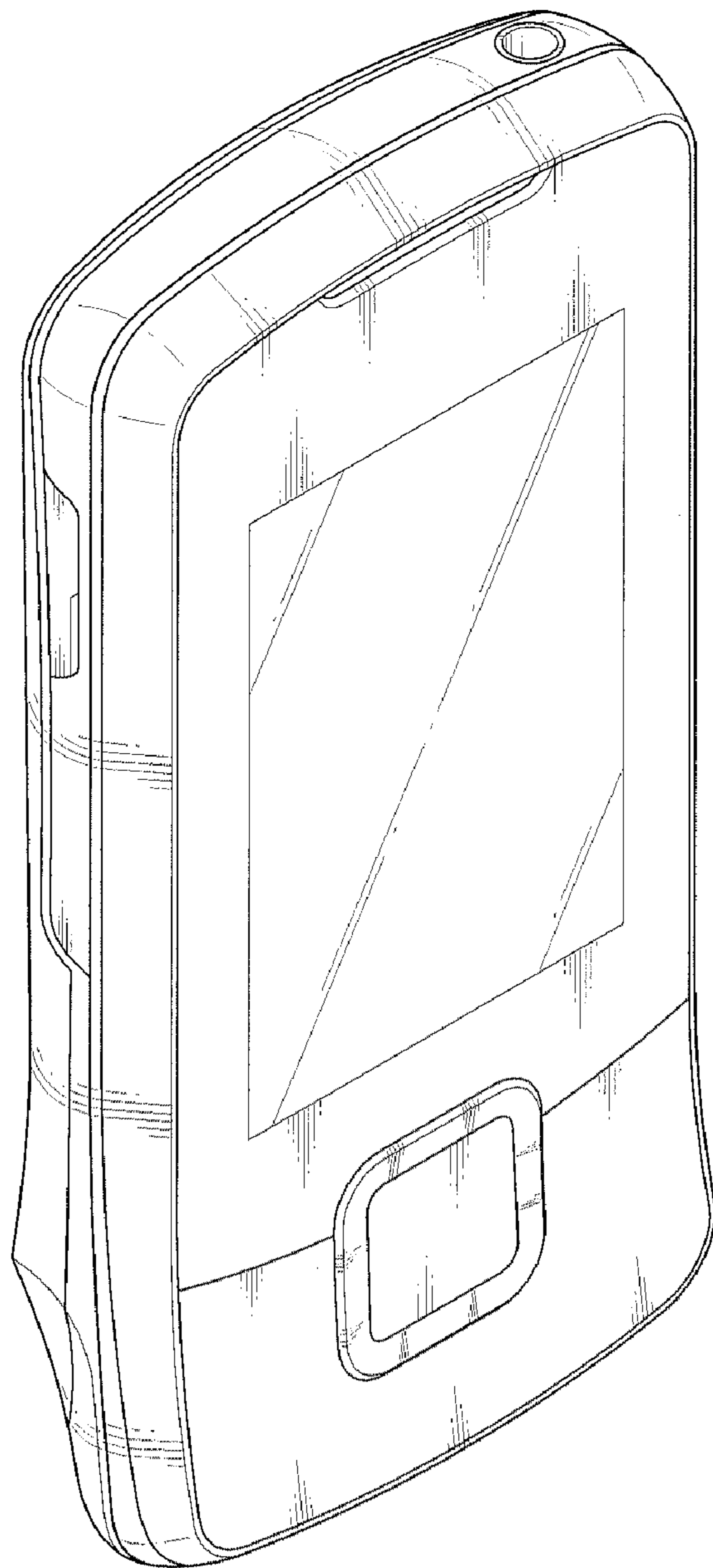
**DESCRIPTION**

FIG. 1 is a front perspective view of a mobile phone; FIG. 2 is a front view of the mobile phone of FIG. 1; FIG. 3 is a rear view of the mobile phone of FIG. 1; FIG. 4 is a left-side view of the mobile phone of FIG. 1; FIG. 5 is a right-side view of the mobile phone of FIG. 1; FIG. 6 is a top plan view of the mobile phone of FIG. 1; FIG. 7 is a bottom plan view of the mobile phone of FIG. 1; and, FIG. 8 is an open front perspective view of the mobile phone of FIG. 1.

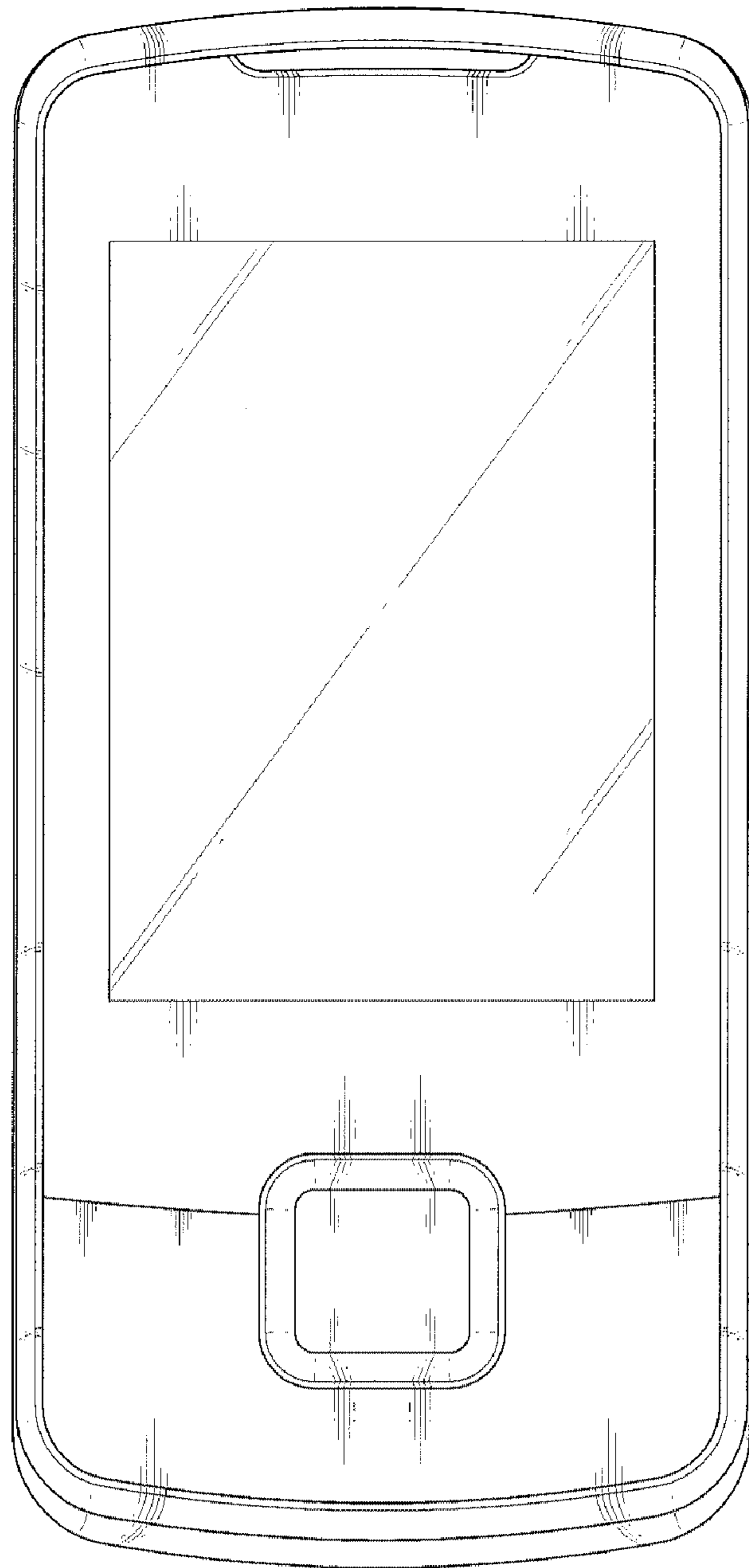
**1 Claim, 8 Drawing Sheets**



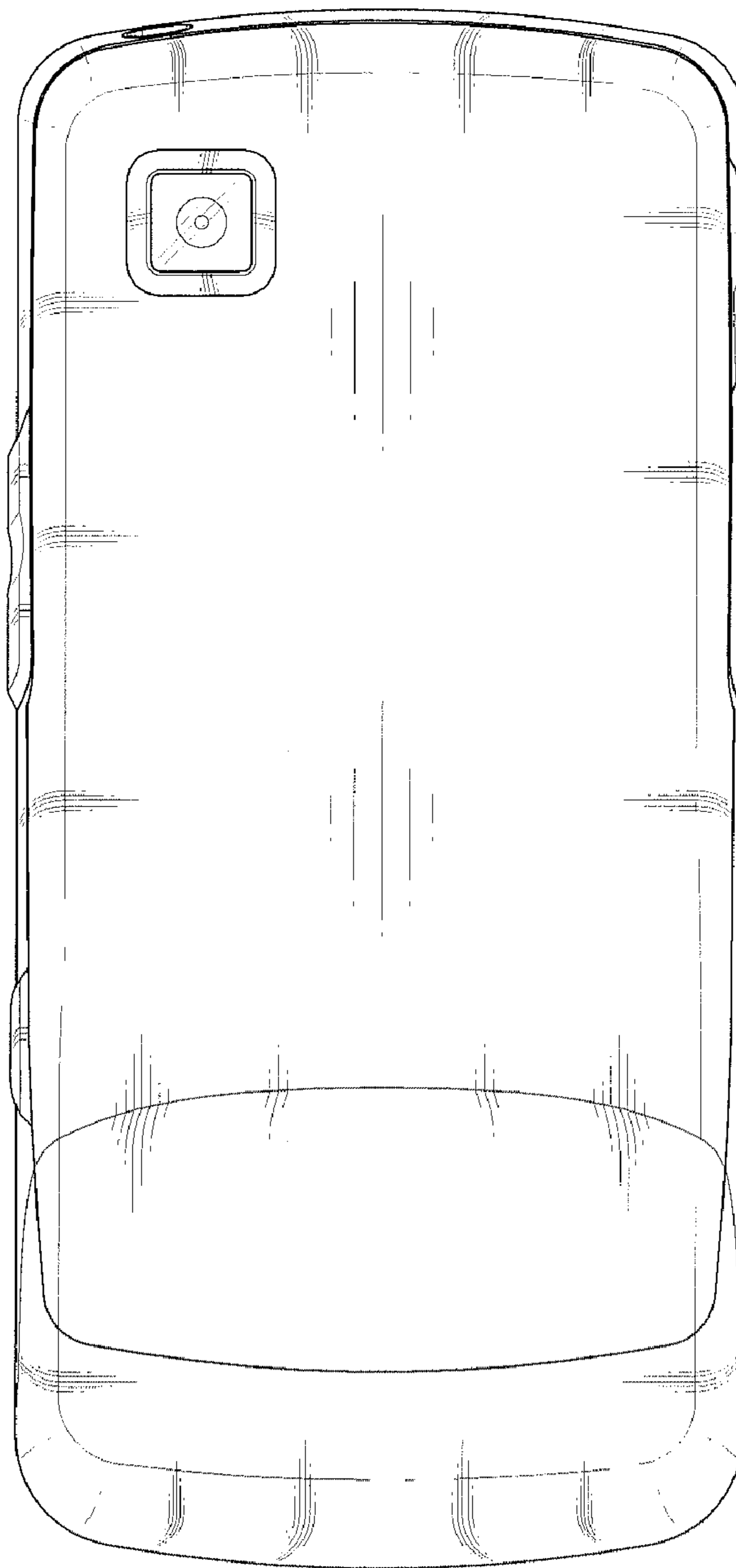
# FIG. 1



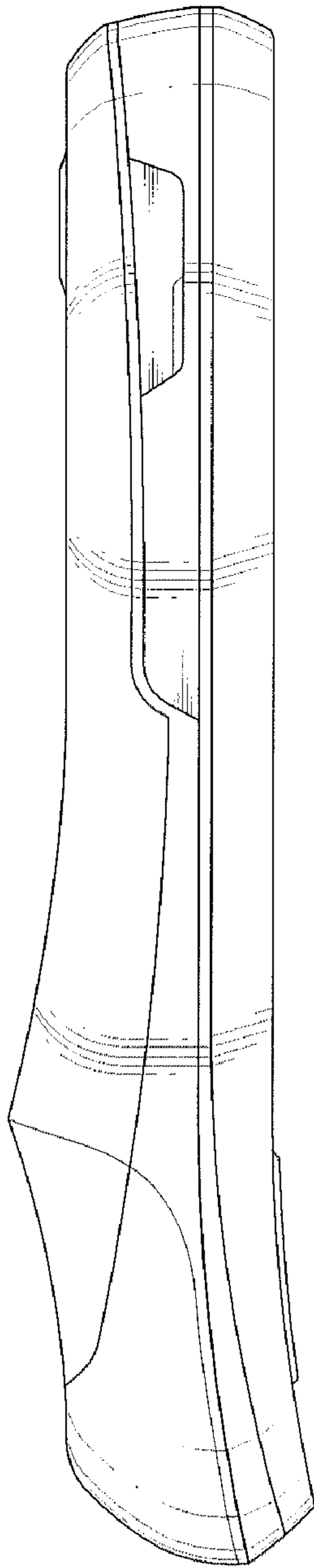
# FIG. 2



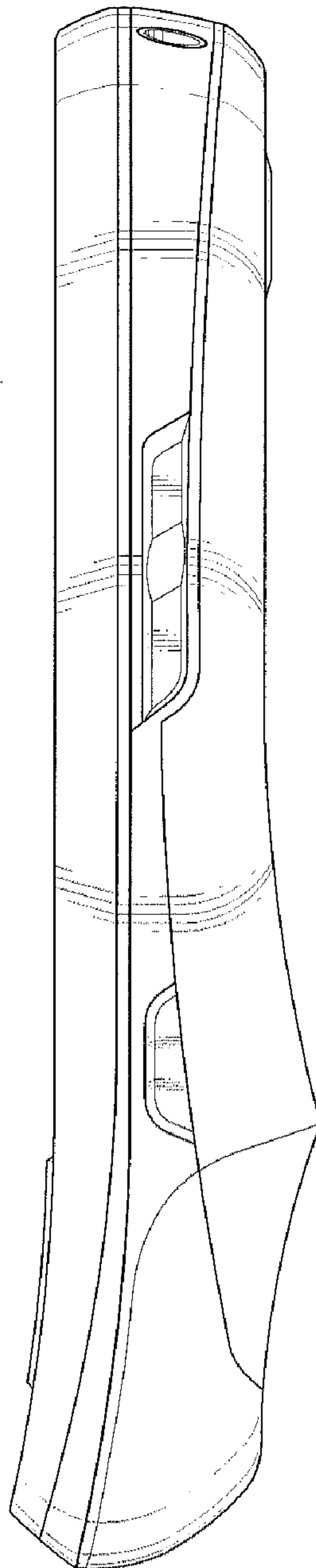
# FIG. 3



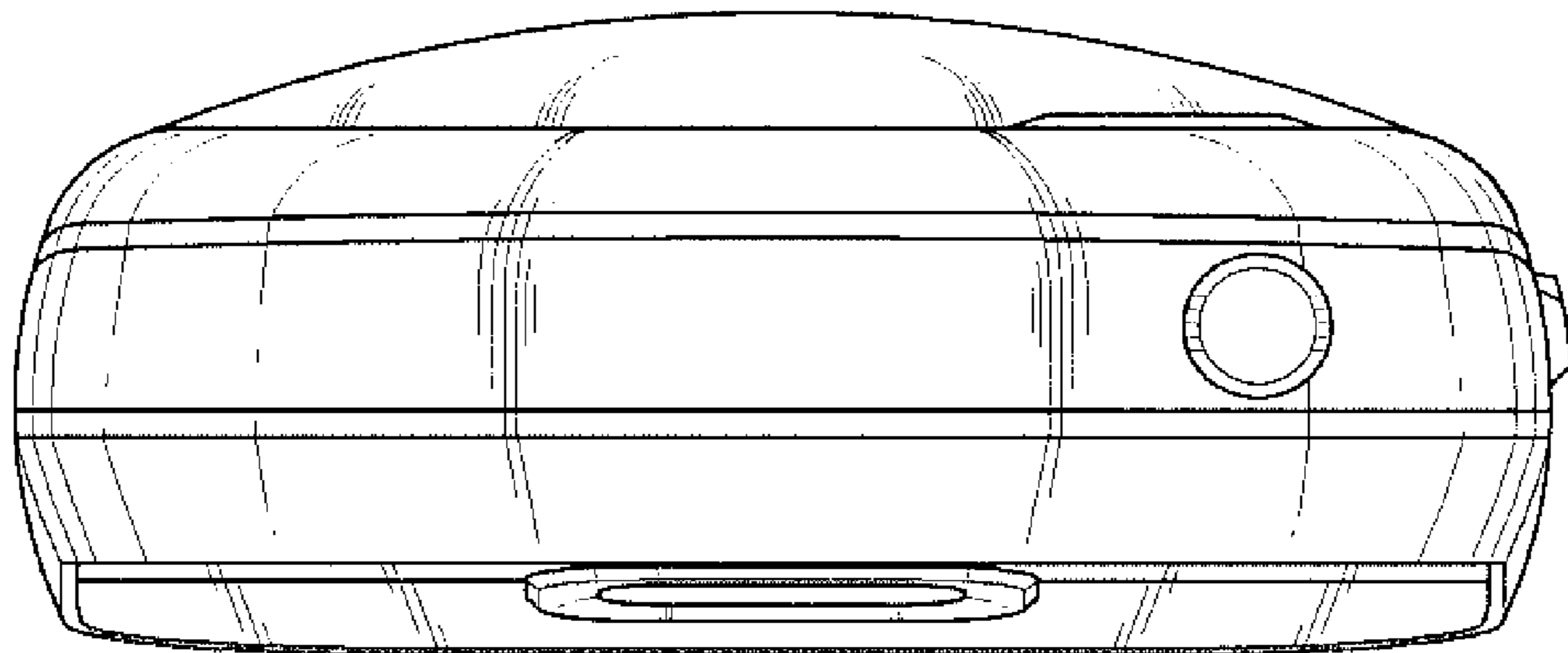
# FIG. 4



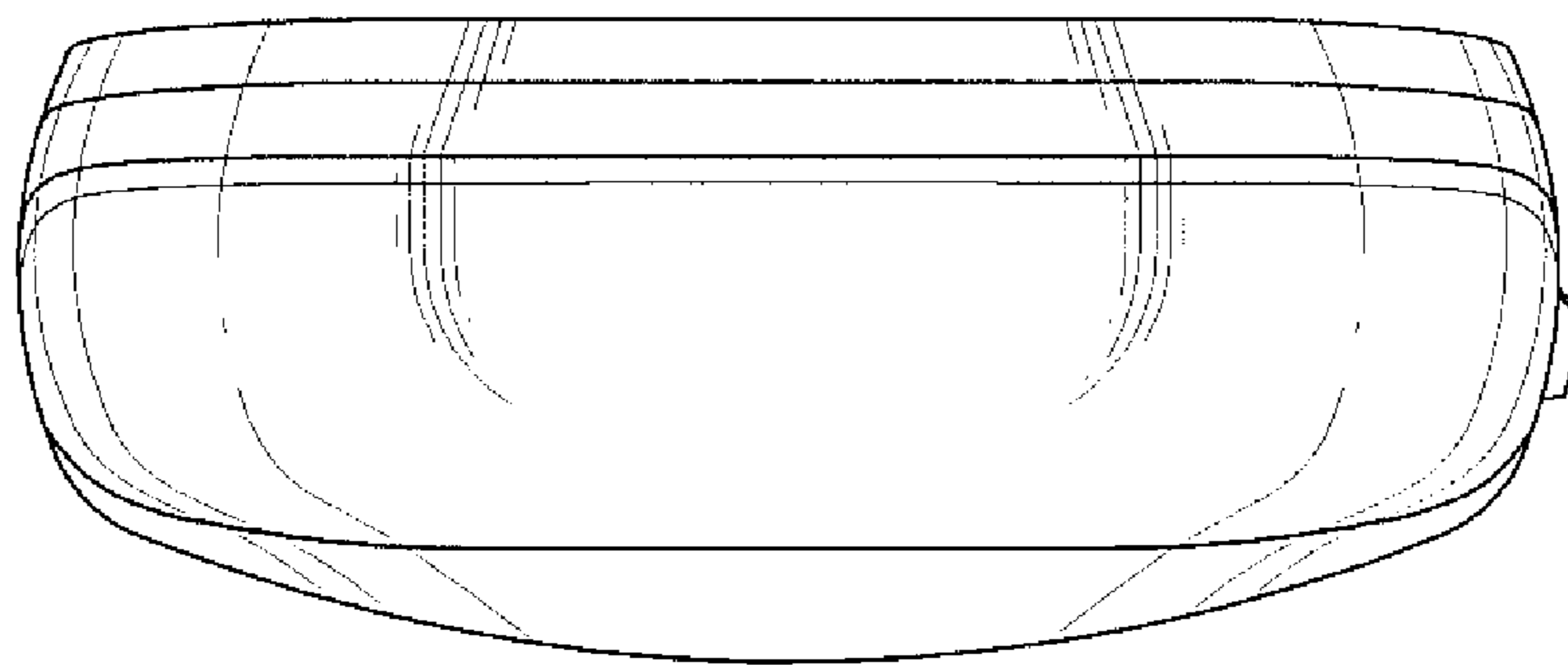
# FIG. 5



# FIG. 6



# FIG. 7





**FIG.8**

