



US00D645433S

(12) **United States Design Patent**
Alcaptan

(10) **Patent No.:** **US D645,433 S**

(45) **Date of Patent:** **** Sep. 20, 2011**

(54) **MEDIA DEVICE**

(75) Inventor: **Mohammad Alcaptan**, Bloomfield Hills, MI (US)

(73) Assignee: **Destination Media, Inc.**, Birmingham, MI (US)

(**) Term: **14 Years**

(21) Appl. No.: **29/385,236**

(22) Filed: **Feb. 10, 2011**

(51) **LOC (9) Cl.** **14-03**

(52) **U.S. Cl.** **D14/127; D14/129**

(58) **Field of Classification Search** D14/125-134, D14/239, 371, 136, 374-377, 440, 450, 448, D14/336, 342; 312/7.2; 348/836, 838, 180, 348/184, 325, 739; 341/12; 248/917-924, 248/465; 345/104, 133, 156, 168, 87, 173; 720/605, 669, 600, 655; 369/99, 197; 455/344, 455/347; D21/329, 515, 577, 622, 333, 433, D21/448, 452, 450, 331; D6/477, 479, 300; 273/148 B; 446/484, 175, 356; D10/15, D10/26

See application file for complete search history.

(56) **References Cited**

U.S. PATENT DOCUMENTS

3,708,618 A 1/1973 Hofmeister et al.
4,525,746 A 6/1985 Mangold et al.

4,528,597 A 7/1985 Klein et al.
4,969,046 A 11/1990 Sugimoto et al.
D415,736 S * 10/1999 Witte D14/307
D467,561 S * 12/2002 Kosciolek D14/451
7,146,506 B1 12/2006 Hannah et al.
7,148,934 B2 12/2006 Yuan et al.
D544,848 S * 6/2007 Marz et al. D14/126
7,518,624 B2 4/2009 Ford et al.
D595,678 S * 7/2009 Dunn D14/129
2008/0104631 A1 * 5/2008 Krock et al. 725/32
2008/0255901 A1 * 10/2008 Carroll et al. 705/7
2008/0267790 A1 * 10/2008 Gaudet et al. 417/205

* cited by examiner

Primary Examiner — Raphael Barkai

(74) *Attorney, Agent, or Firm* — Dickinson Wright PLLC

(57) **CLAIM**

The ornamental design for a media device, as shown and described.

DESCRIPTION

FIG. 1 is a perspective view of the media device mounted outdoors on a fuel pump that is shown in phantom lines.

FIG. 2 is a front view thereof, the back view being a mirror image thereof.

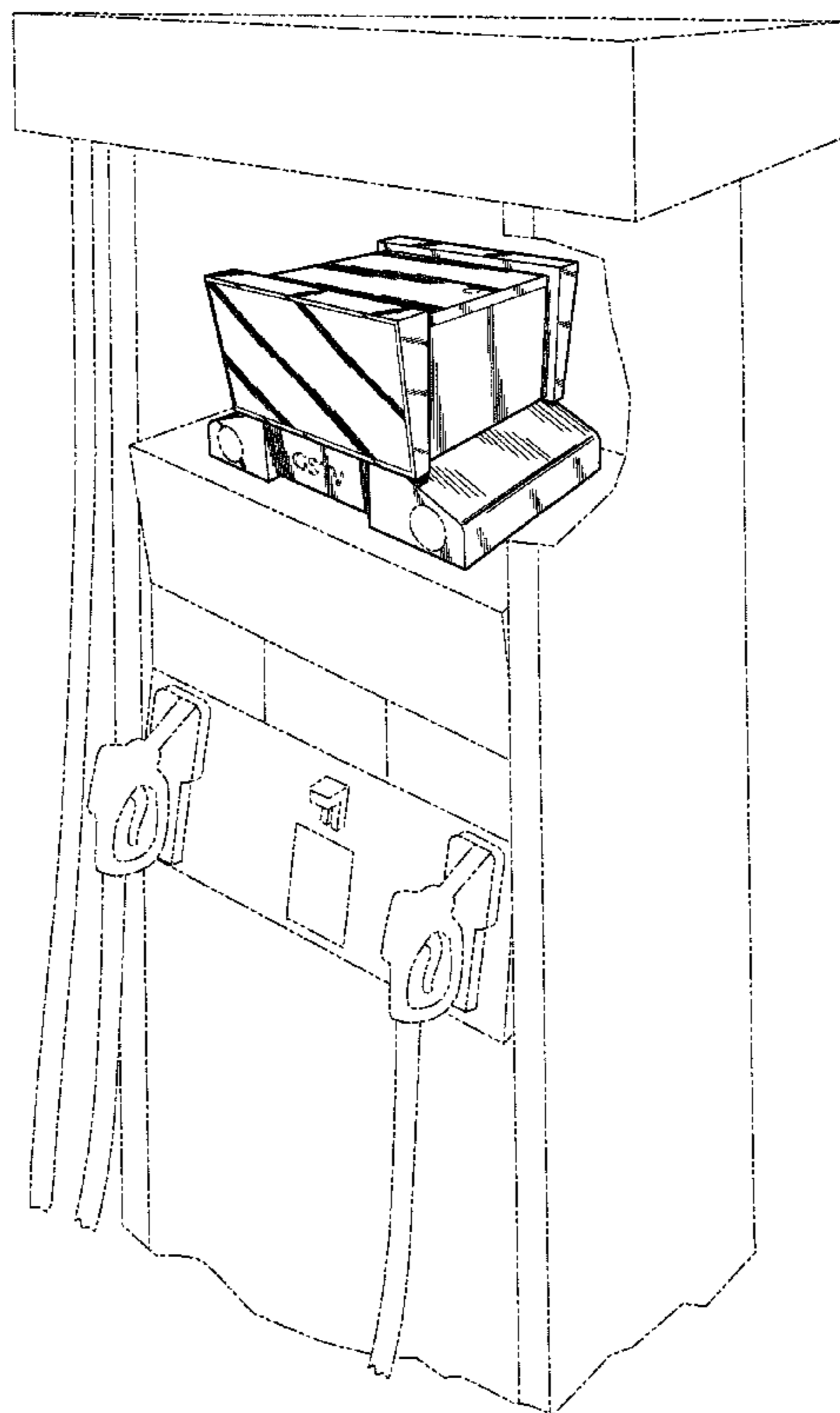
FIG. 3 is a right side view thereof, the left side being a mirror image thereof.

FIG. 4 is a top view thereof; and,

FIG. 5 is a bottom view thereof.

The phantom lines are not part of the claimed invention.

1 Claim, 3 Drawing Sheets



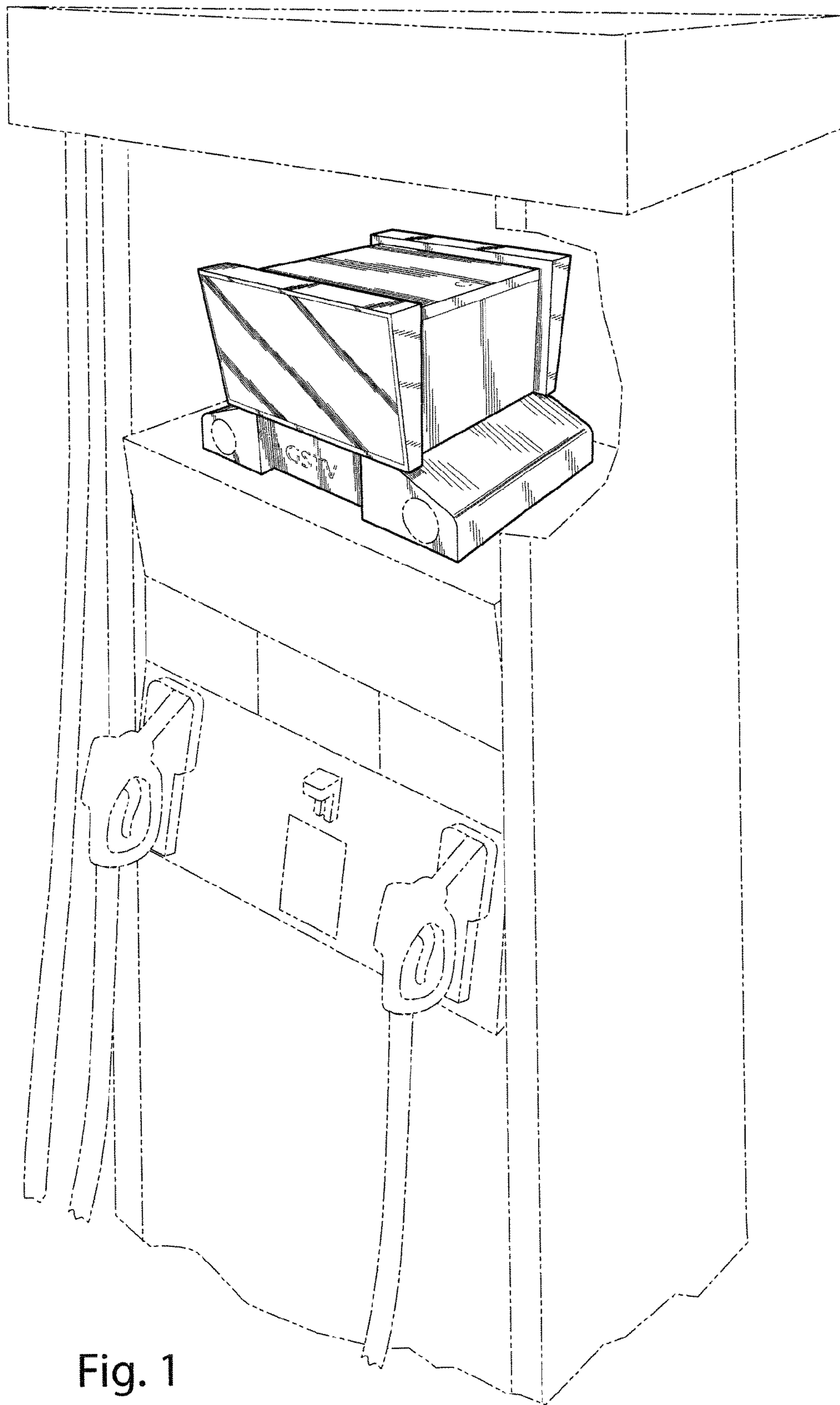


Fig. 1

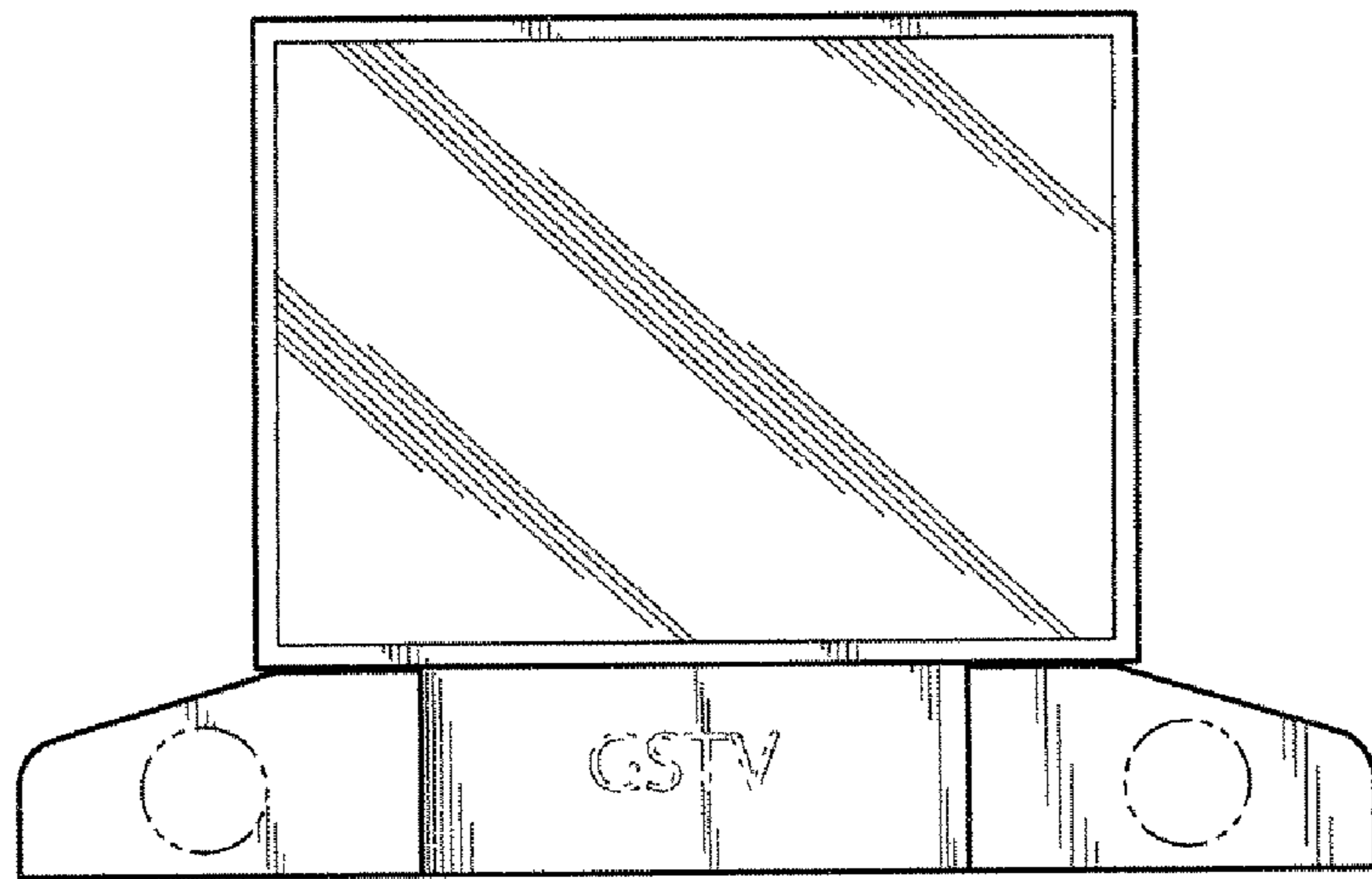


Fig. 2

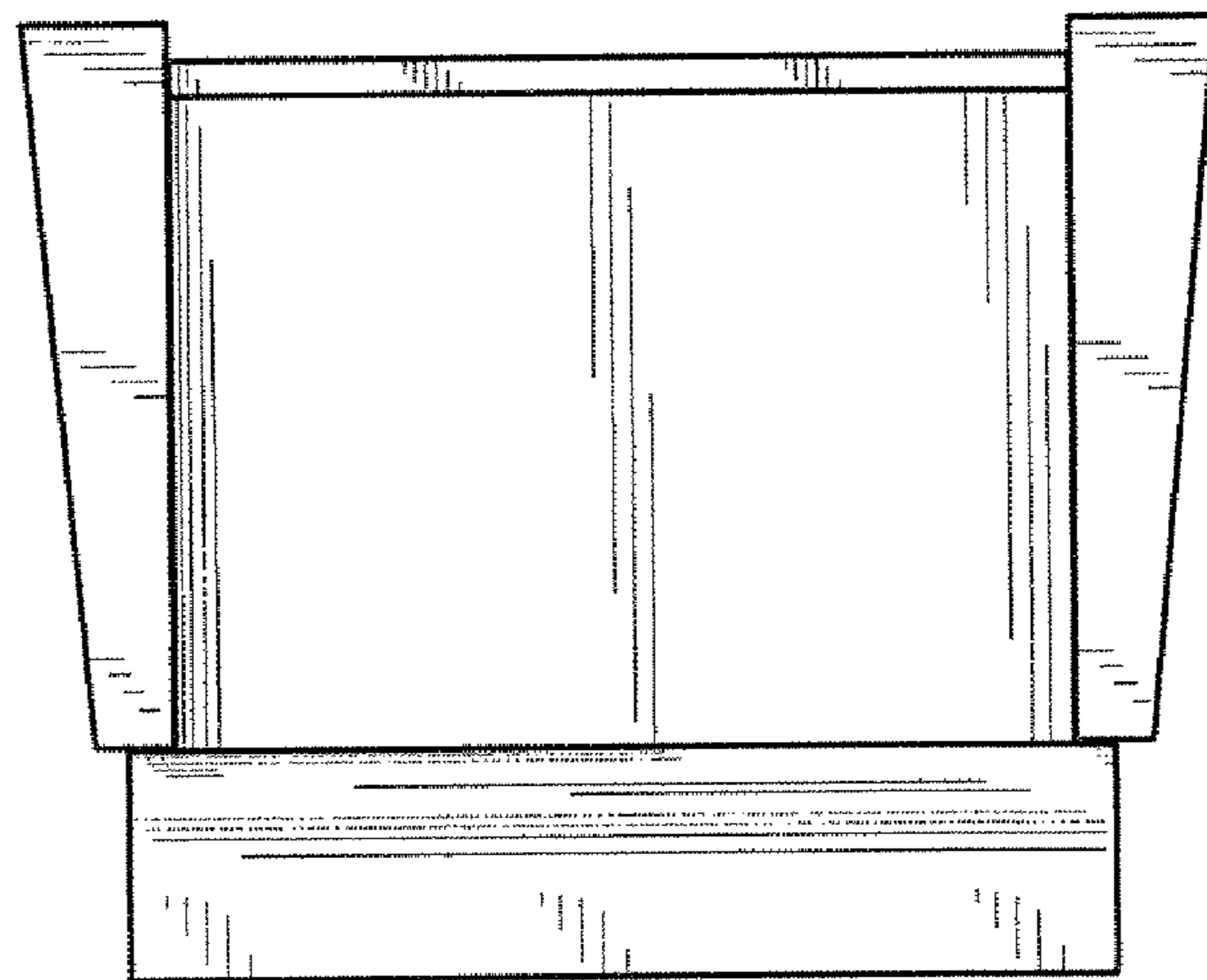


Fig. 3

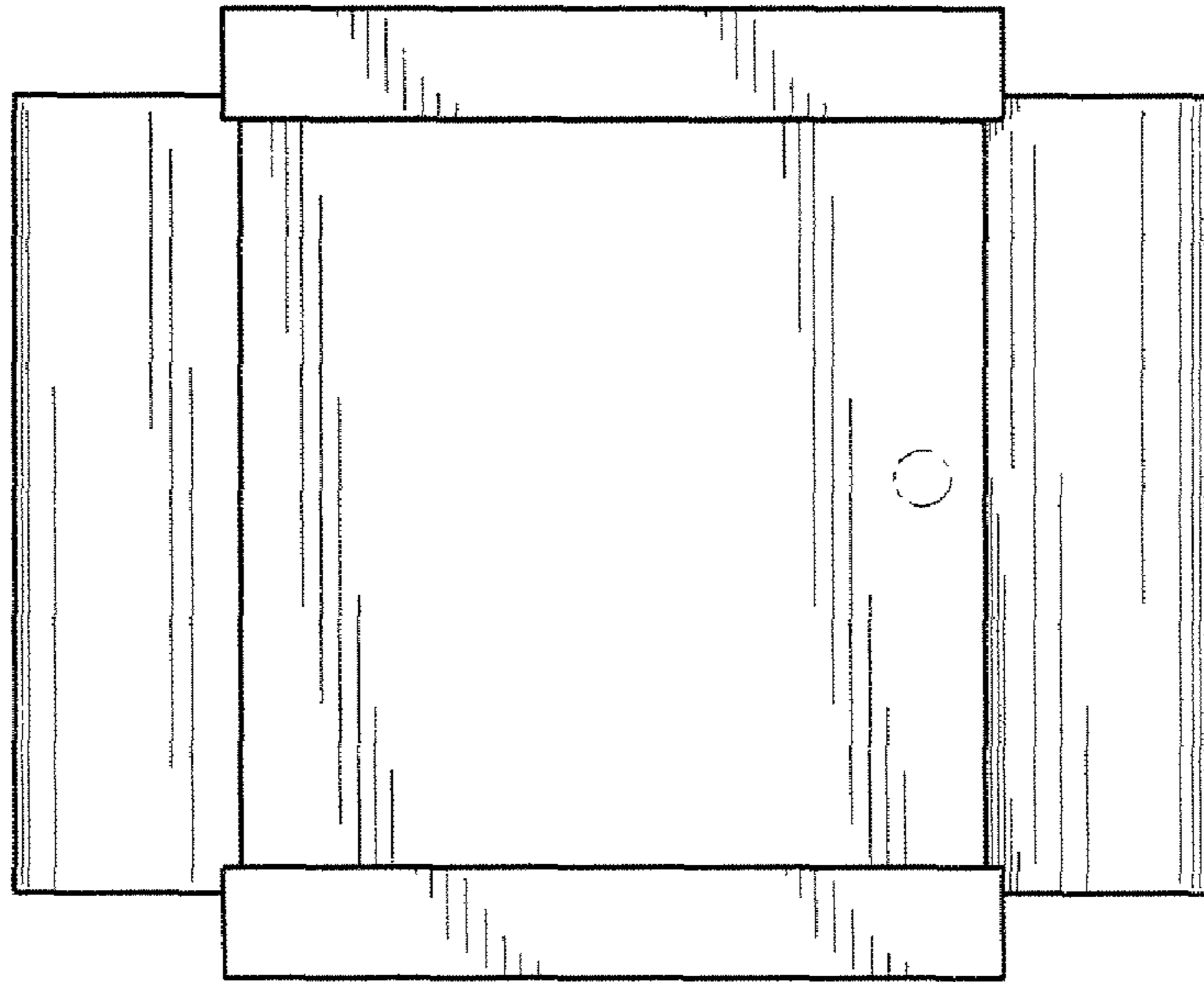


Fig. 4

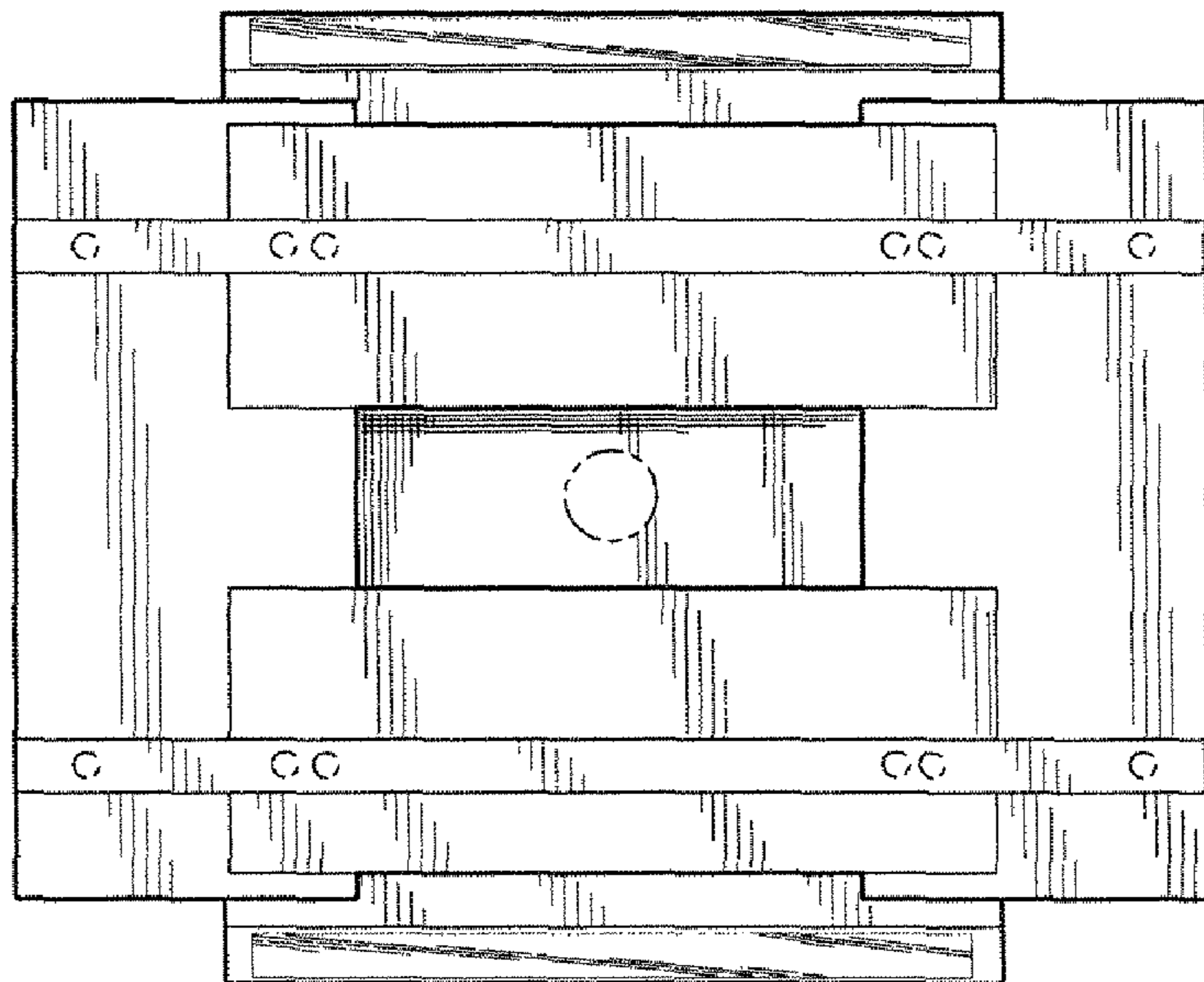


Fig. 5