



US00D645426S

(12) **United States Design Patent**
Heng et al.

(10) **Patent No.:** **US D645,426 S**

(45) **Date of Patent:** **** Sep. 20, 2011**

(54) **SOCKET ASSEMBLY**

(75) Inventors: **Stephen Heng**, Los Gatos, CA (US);
Mahesh Hardikar, San Jose, CA (US);
Ali Hassanzadeh, Fremont, CA (US);
Sanjay Dandia, San Jose, CA (US)

(73) Assignee: **Advanced Micro Devices, Inc.**,
Sunnyvale, CA (US)

(**) Term: **14 Years**

(21) Appl. No.: **29/358,468**

(22) Filed: **Mar. 26, 2010**

(51) **LOC (9) Cl.** **13-03**

(52) **U.S. Cl.** **D13/182**

(58) **Field of Classification Search** D13/182;
439/70, 71, 72, 73, 74, 330, 331, 620.2

See application file for complete search history.

(56) **References Cited**

U.S. PATENT DOCUMENTS

D288,803	S *	3/1987	Capawana	D13/182
D295,401	S *	4/1988	Klees	D13/182
4,918,513	A *	4/1990	Kurose et al.	439/73
D313,686	S *	1/1991	Vitek	D13/182
5,486,771	A *	1/1996	Volz et al.	324/755
D379,350	S *	5/1997	Kerklaan	D13/182
D407,382	S *	3/1999	Acciaoli et al.	D13/182
6,746,253	B1 *	6/2004	Ma	439/71
6,805,562	B2 *	10/2004	Liao et al.	439/68
7,014,488	B2 *	3/2006	Stone	439/331
7,291,022	B2 *	11/2007	Toda et al.	439/73
7,367,815	B2 *	5/2008	Ma	439/71
7,374,446	B2 *	5/2008	Toda et al.	439/342
7,396,248	B2 *	7/2008	Zhang	439/331
7,435,103	B2 *	10/2008	Ma	439/71
7,497,743	B2 *	3/2009	Tsai	439/862
7,527,503	B1 *	5/2009	Polnyi	439/71
7,666,020	B2 *	2/2010	Zhang et al.	439/331
7,708,579	B2 *	5/2010	Yeh	439/331

7,753,703	B2 *	7/2010	Liao et al.	439/261
7,798,856	B2 *	9/2010	Liao	439/620.2
2005/0233629	A1 *	10/2005	Tsai	439/331
2005/0287837	A1 *	12/2005	Trobough	439/71
2006/0199413	A1 *	9/2006	Ju	439/331
2007/0173081	A1 *	7/2007	Yu et al.	439/73
2008/0242138	A1 *	10/2008	Chang	439/331
2010/0062623	A1 *	3/2010	Chen et al.	439/73

OTHER PUBLICATIONS

Picture of Socket F design; from www.commons.wikimedia.org;
Mar. 25, 2010.

Advanced Micro Devices; AMD Socket F (1207) Design Specifica-
tion; Publication No. 31700; Revision 1.03; Mar. 2006.

U.S. Appl. No. 29/358,467, filed Mar. 26, 2010.

U.S. Appl. No. 29/358,436, filed Mar. 26, 2010.

U.S. Appl. No. 29/358,473, filed Mar. 26, 2010.

U.S. Appl. No. 29/358,472, filed Mar. 26, 2010.

U.S. Appl. No. 29/358,435, filed Mar. 26, 2010.

* cited by examiner

Primary Examiner — Selina Sikder

(74) Attorney, Agent, or Firm — Vedder Price P.C.

(57) **CLAIM**

The ornamental design for a socket assembly, as shown and
described.

DESCRIPTION

FIG. 1 is a front perspective view of a socket assembly;

FIG. 2 is a front view of the socket assembly;

FIG. 3 is a top view of the socket assembly;

FIG. 4 is a bottom view of the socket assembly;

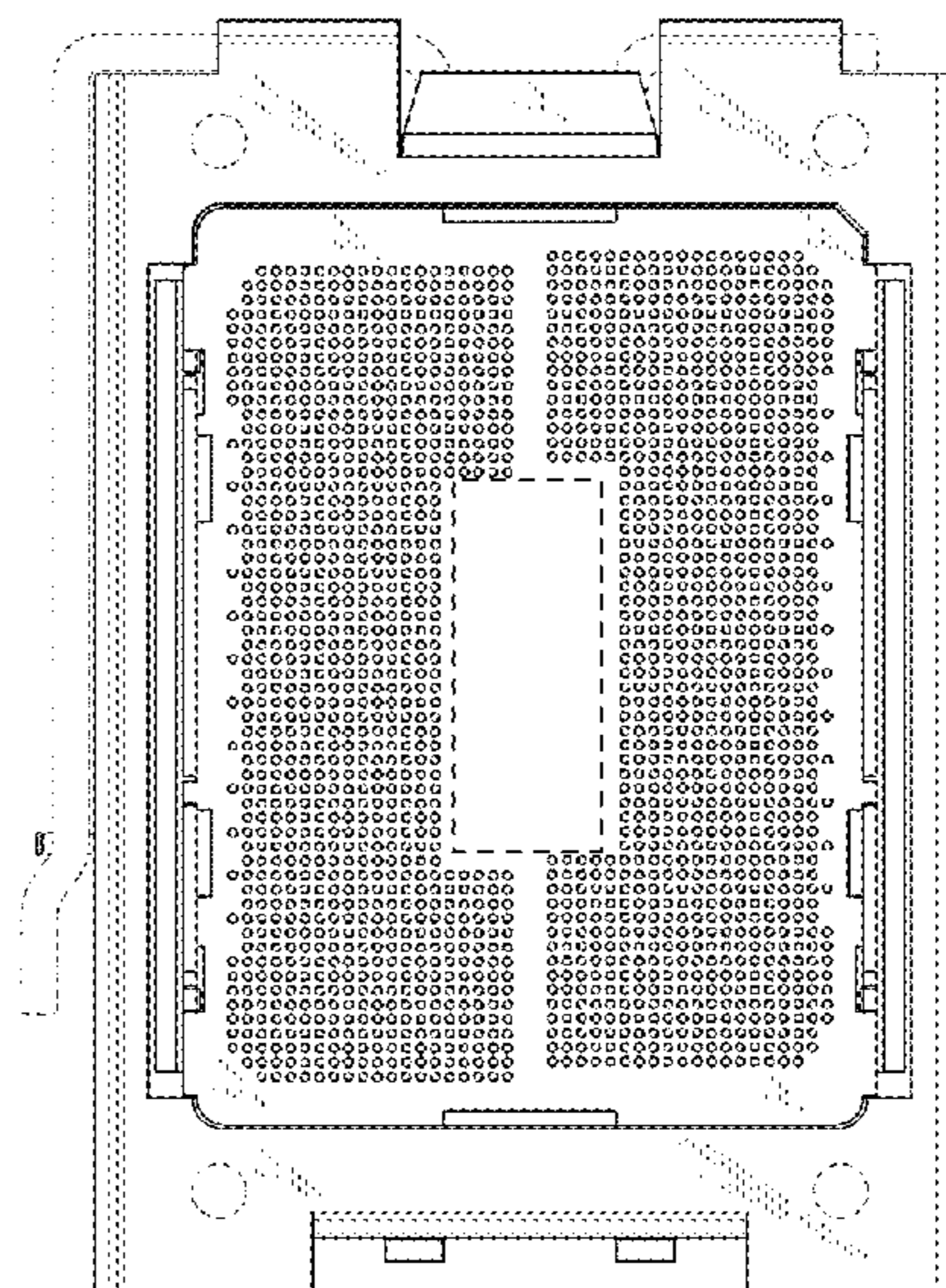
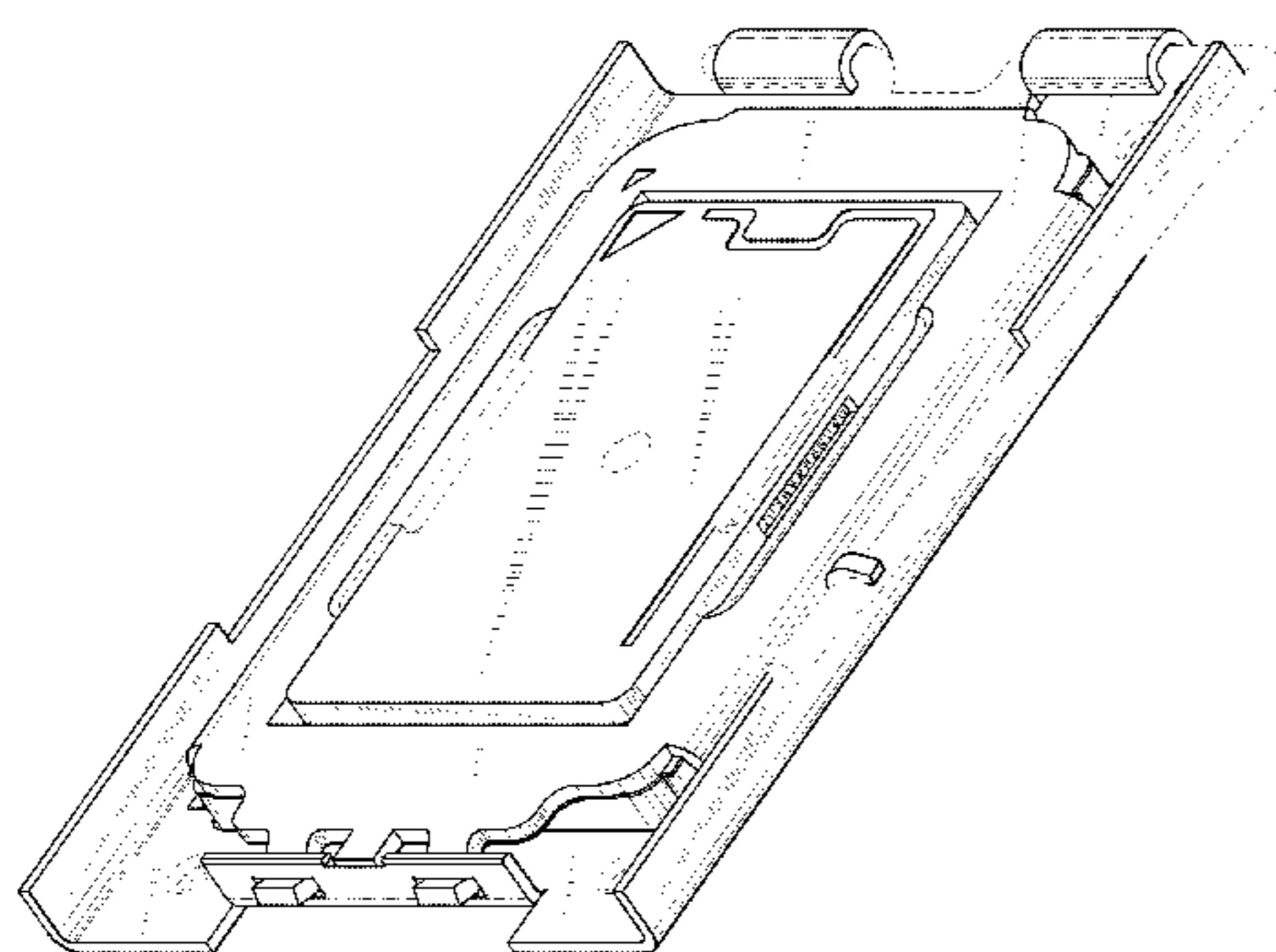
FIG. 5 is a left side view of the socket assembly;

FIG. 6 is a right side view of the socket assembly; and,

FIG. 7 is a rear view of the socket assembly.

The broken lines showing portions of the socket assembly is
for illustrative purposes only and forms no part of the claimed
design.

1 Claim, 6 Drawing Sheets



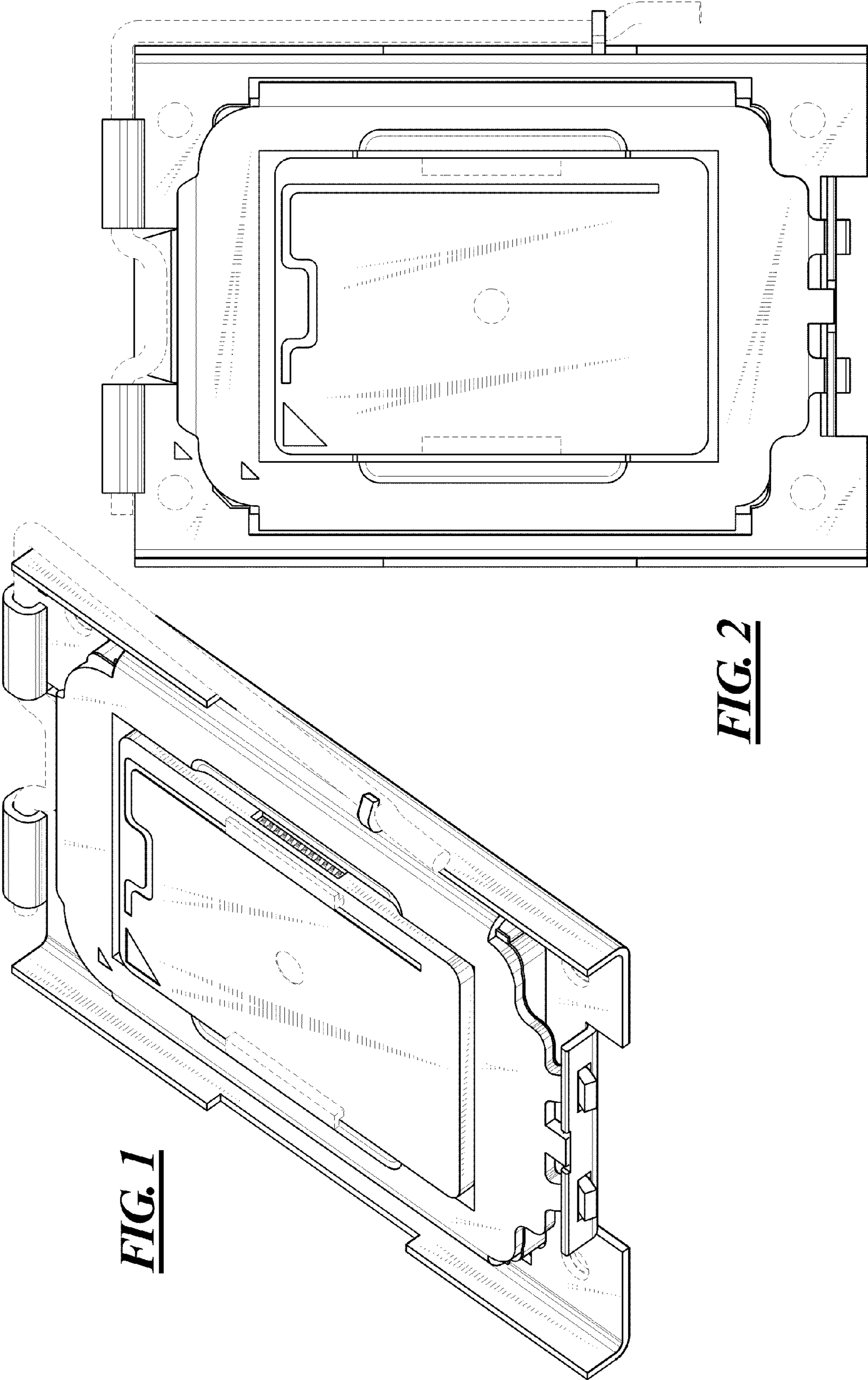


FIG. 1

FIG. 2

FIG. 3

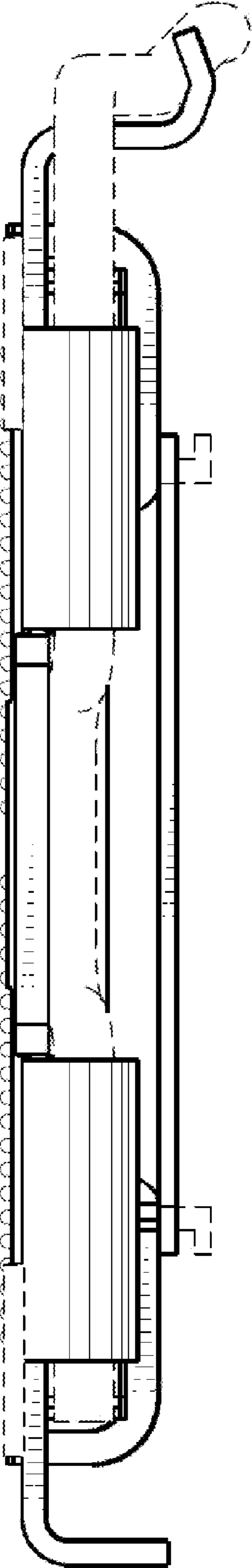


FIG. 4

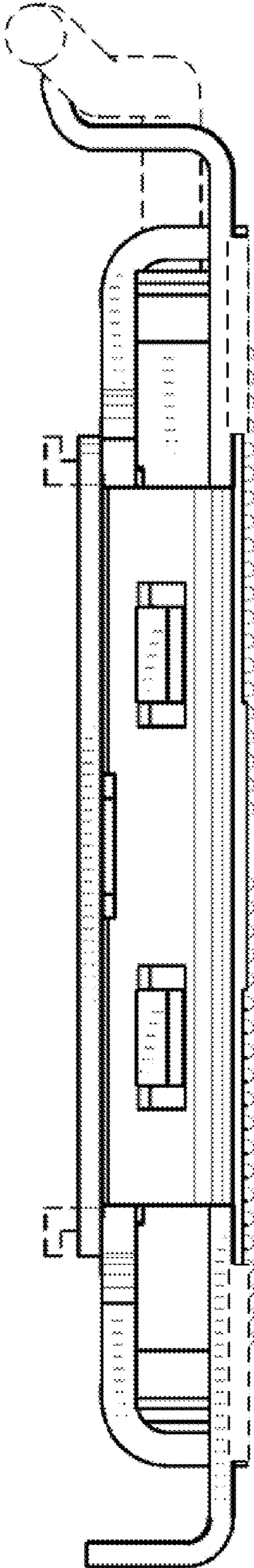


FIG. 5

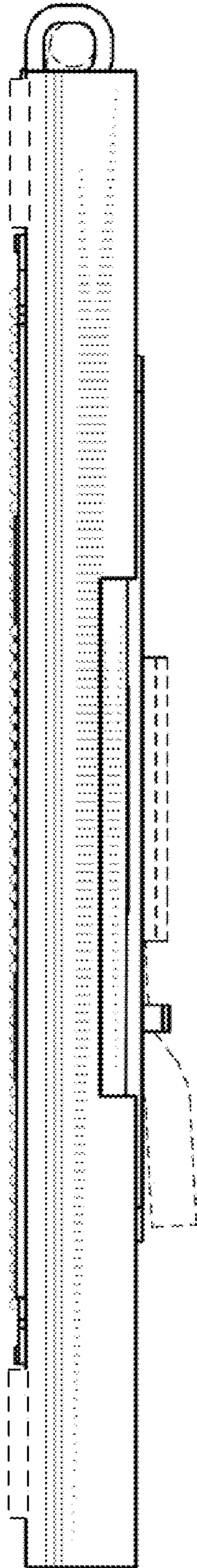
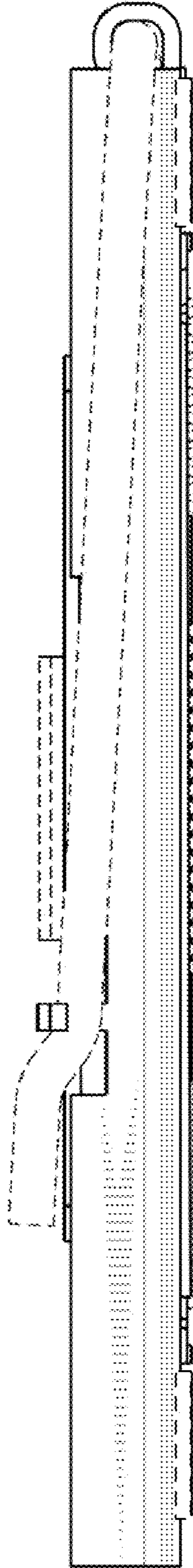


FIG. 6



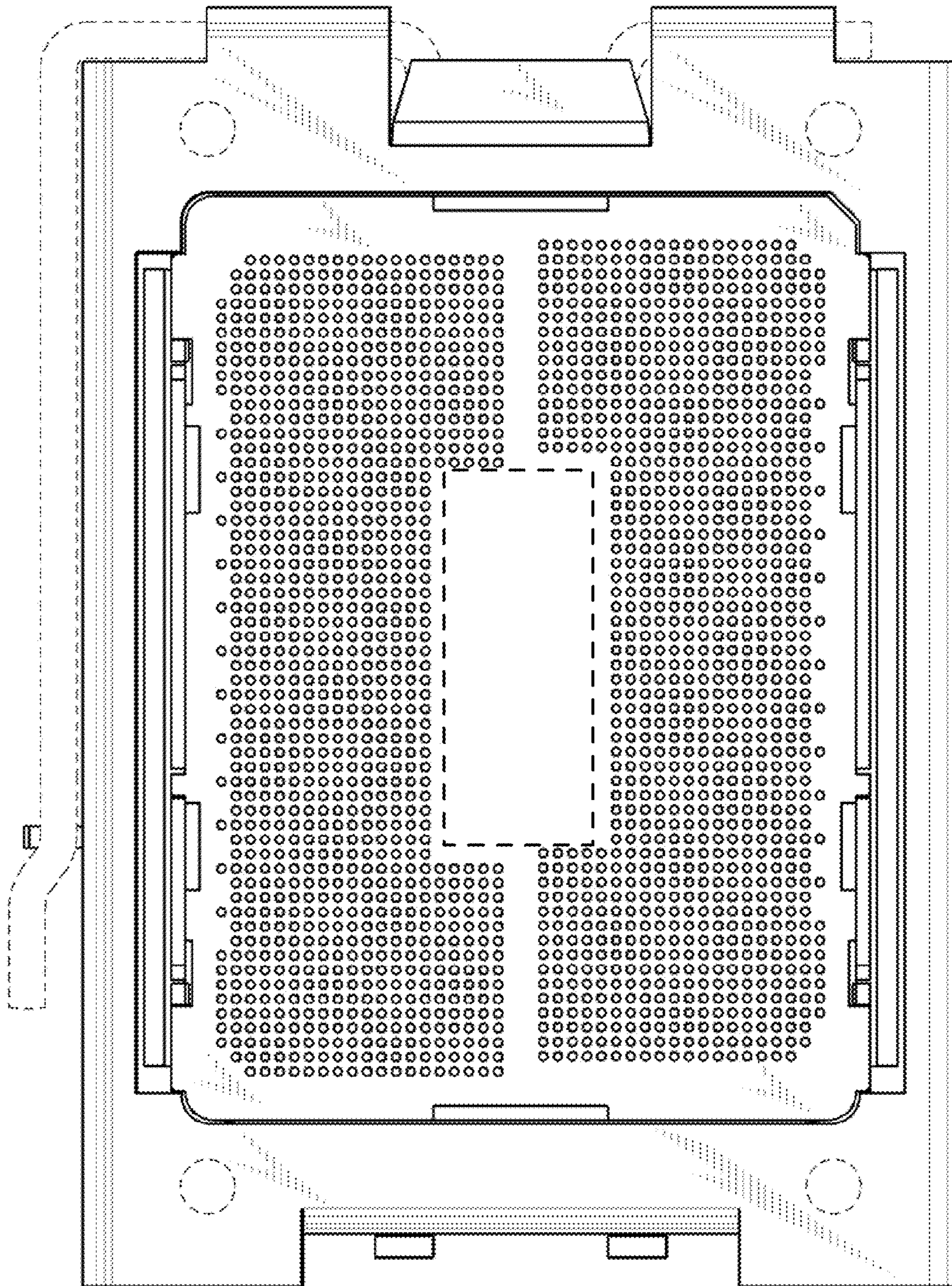


FIG. 7