



US00D645424S

(12) **United States Design Patent**
Lee et al.

(10) **Patent No.:** **US D645,424 S**

(45) **Date of Patent:** **** Sep. 20, 2011**

(54) **LIGHT EMITTING DIODE CARRIER**

(75) Inventors: **Yi-Fei Lee**, Taipei (TW); **Chen-Hsiu Lin**, Xinbei (TW); **Yen-Chun Lee**, Taipei (TW)

(73) Assignees: **Silitek Electronic (Guangzhou) Co., Ltd.**, Guangzhou (CN); **Lite-On Technology Corporation**, Taipei (TW)

(**) Term: **14 Years**

(21) Appl. No.: **29/384,563**

(22) Filed: **Feb. 1, 2011**

(51) **LOC (9) Cl.** **13-03**

(52) **U.S. Cl.** **D13/180**

(58) **Field of Classification Search** D13/180;
D26/1, 2; 257/79, 80, 81, 88, 89, 95, 98,
257/99, 100, E33.058; 313/483, 498, 500;
362/555, 800

See application file for complete search history.

(56) **References Cited**

U.S. PATENT DOCUMENTS

D562,272 S * 2/2008 Su et al. D13/180
D595,675 S * 7/2009 Wang et al. D13/180

7,714,347 B2 * 5/2010 Chen et al. 257/99
D622,680 S * 8/2010 Lin et al. D13/180
D622,681 S * 8/2010 Park et al. D13/180
D627,310 S * 11/2010 Lin et al. D13/180

* cited by examiner

Primary Examiner — Selina Sikder

(74) *Attorney, Agent, or Firm* — Rabin & Berdo, P.C.

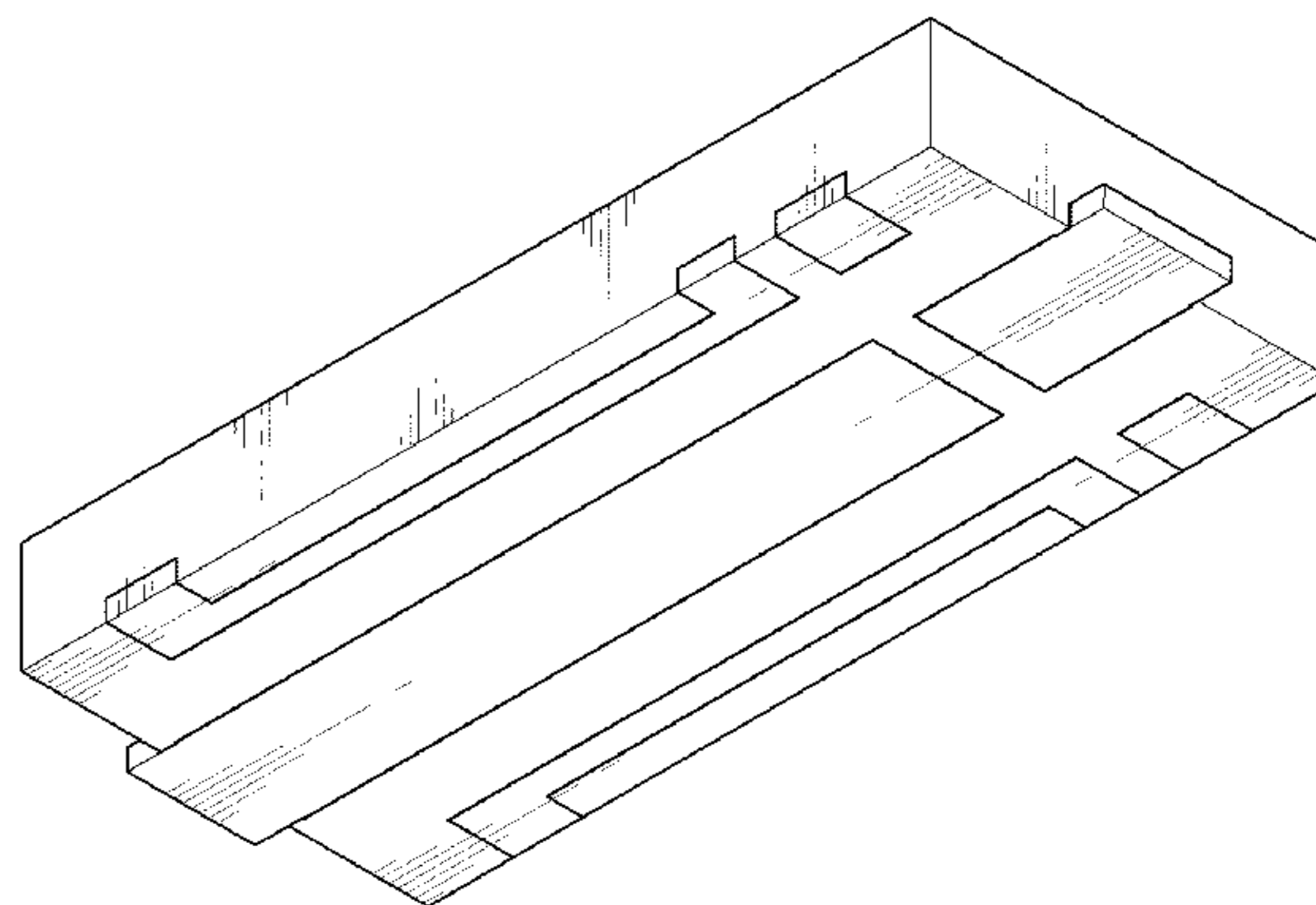
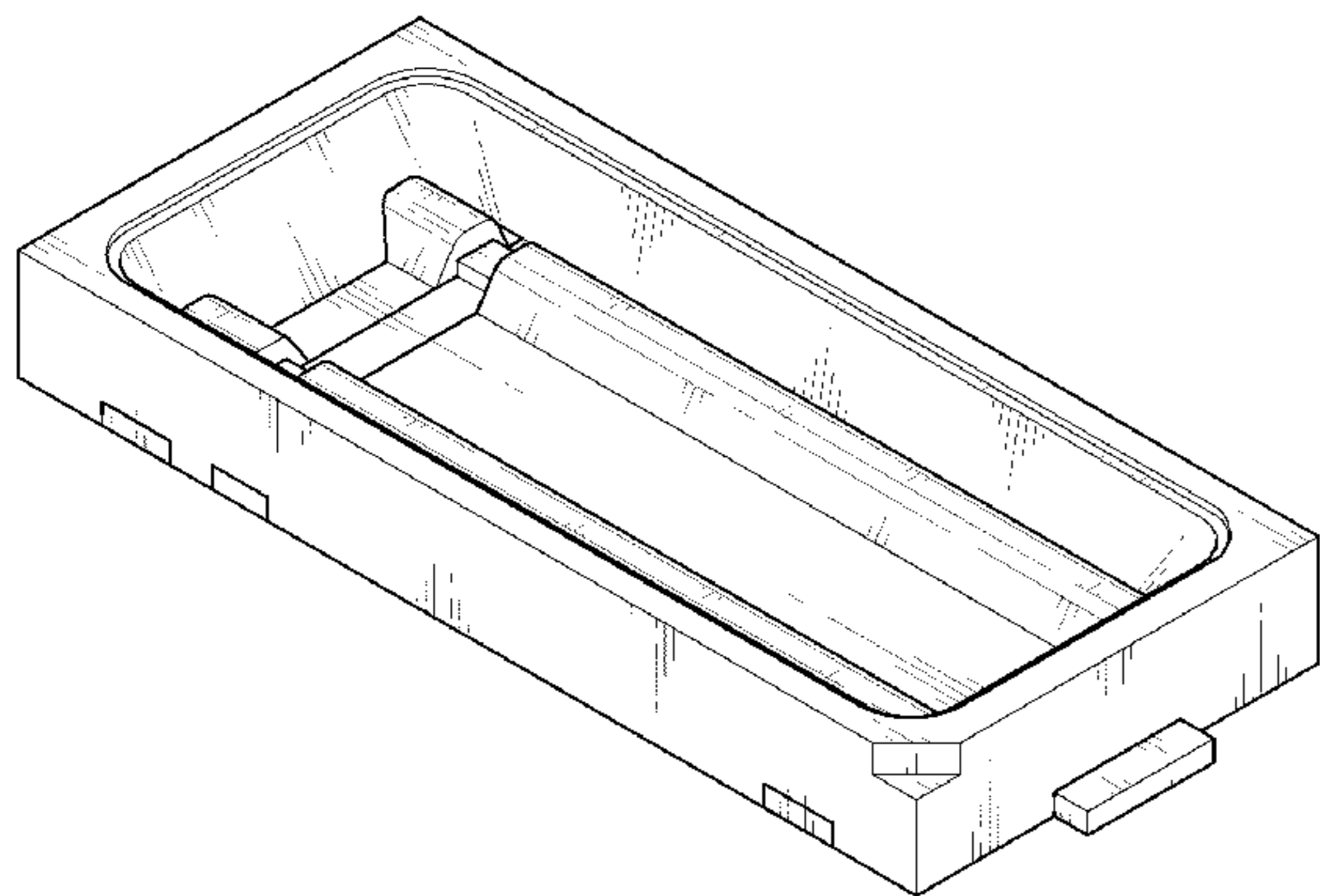
(57) **CLAIM**

The ornamental design for a “light emitting diode carrier,” as shown and described.

DESCRIPTION

FIG. 1 is a perspective view of a “light emitting diode carrier” showing our new design;
FIG. 2 is a front view thereof;
FIG. 3 is a rear view thereof;
FIG. 4 is a left side view thereof;
FIG. 5 is a right side view thereof;
FIG. 6 is a top view thereof;
FIG. 7 is a bottom view thereof; and,
FIG. 8 is a perspective view showing the practical usage thereof.

1 Claim, 5 Drawing Sheets



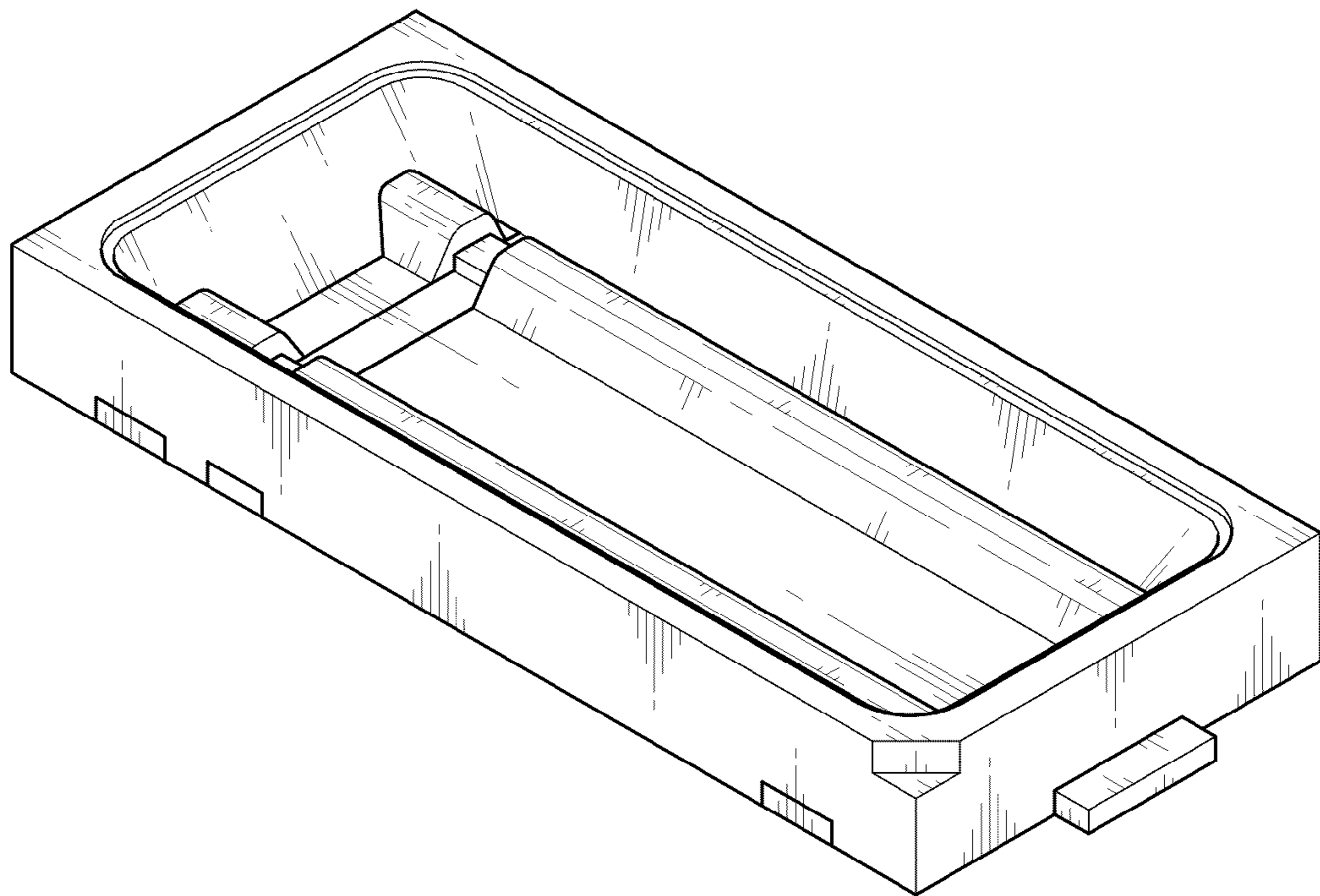


FIG. 1

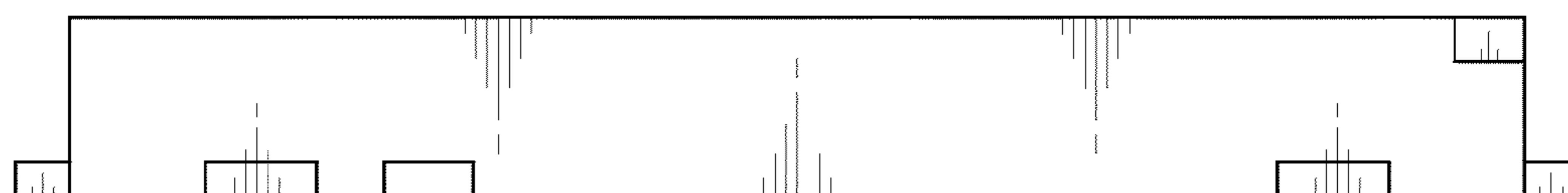


FIG. 2

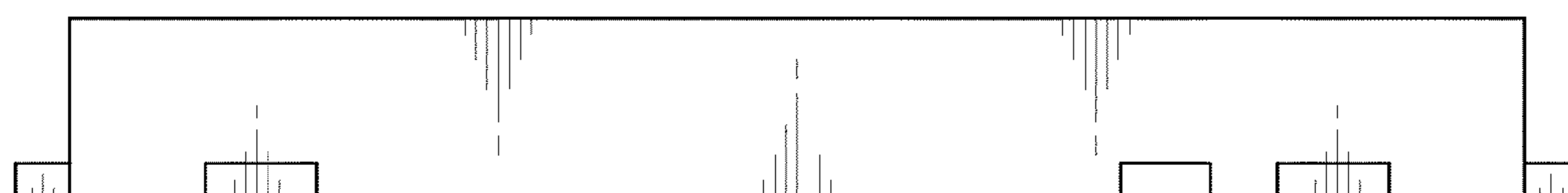


FIG. 3

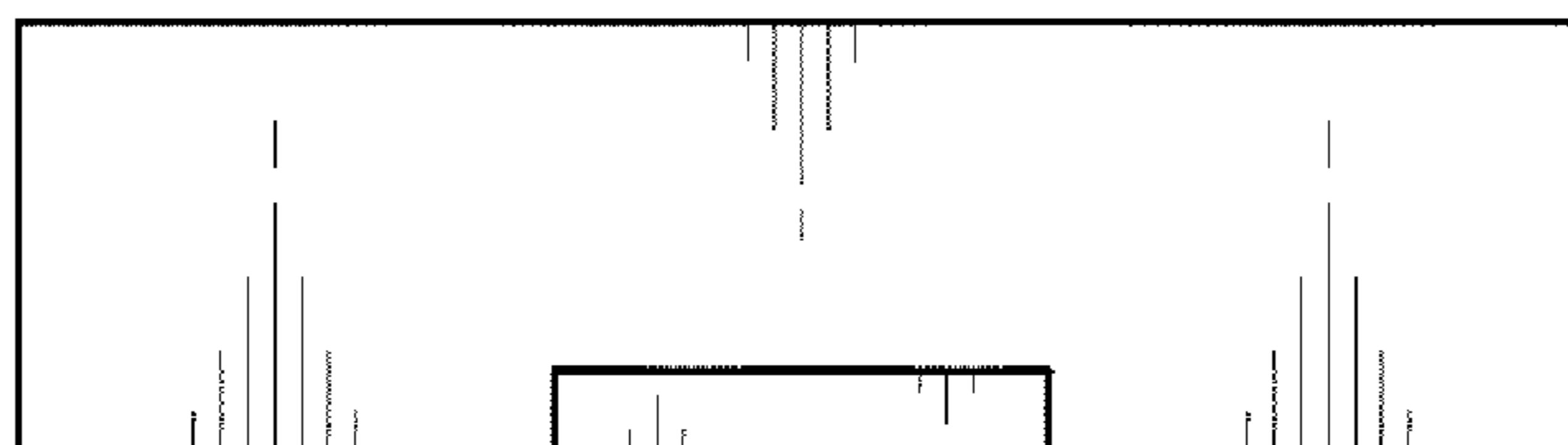


FIG. 4

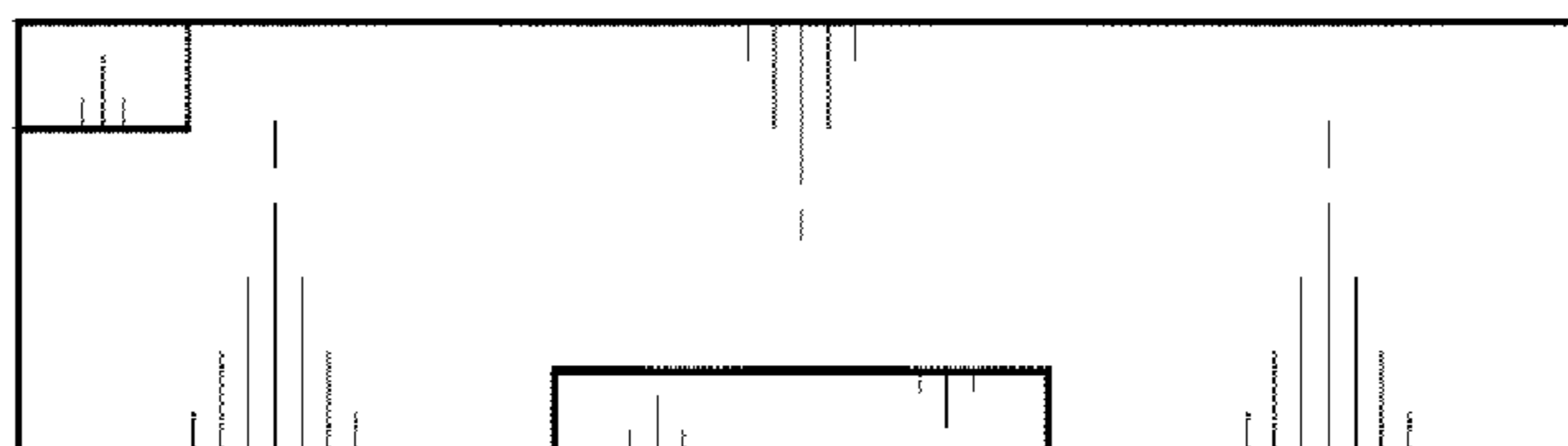


FIG. 5

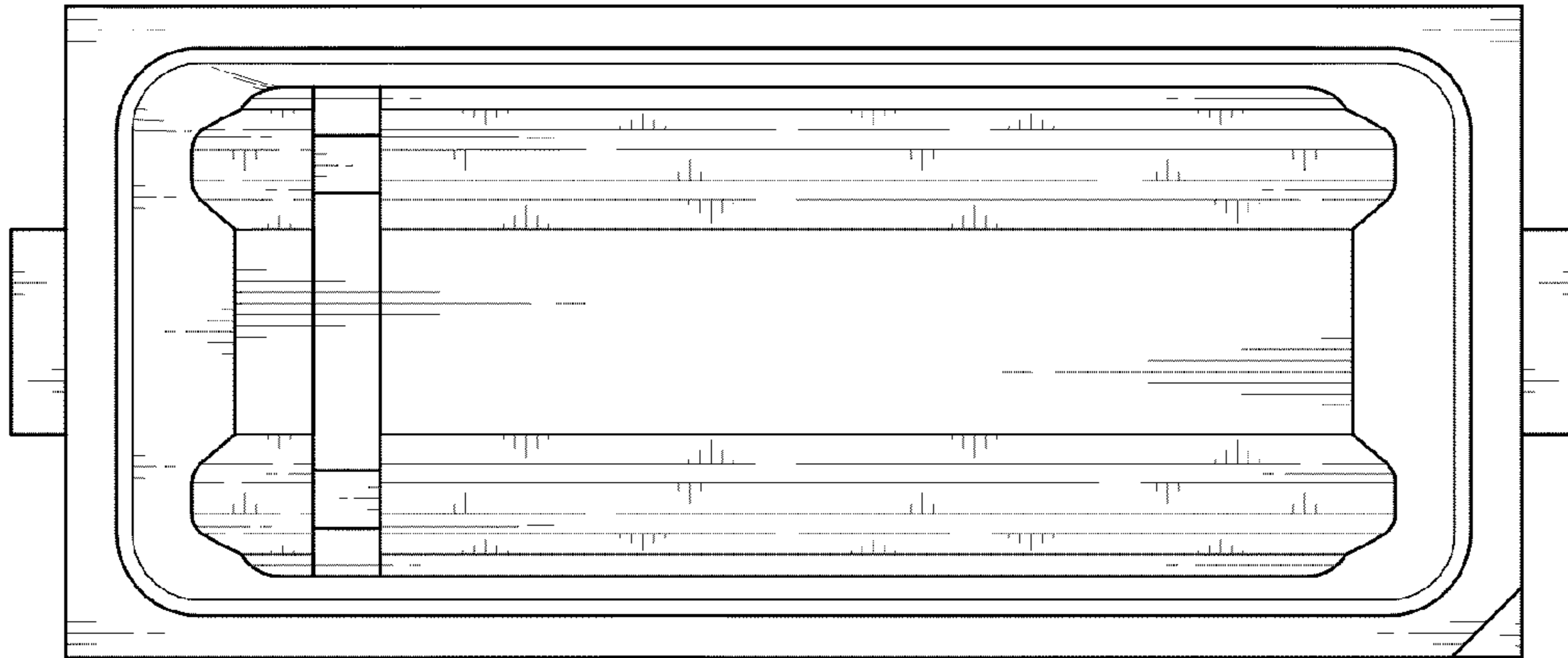


FIG. 6

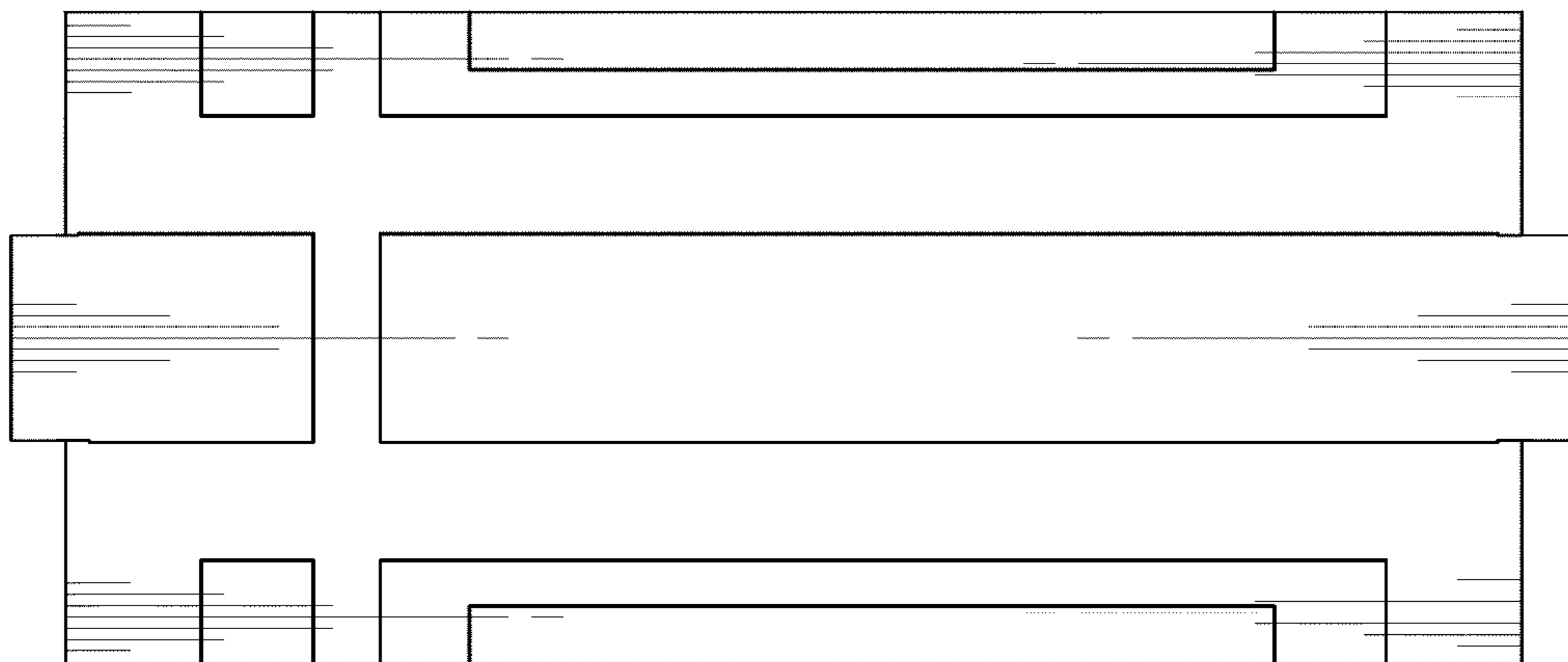


FIG. 7

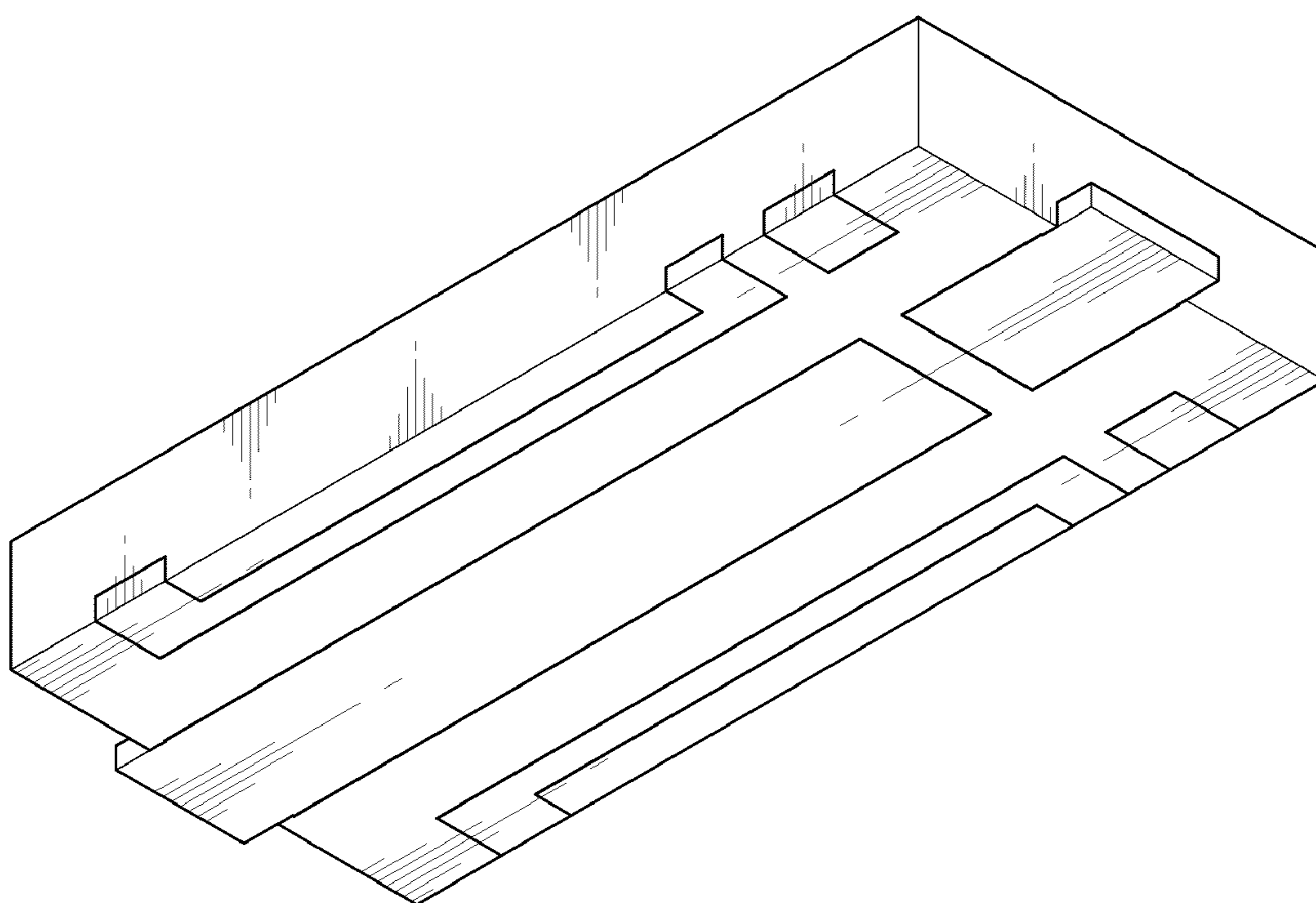


FIG. 8