



US00D645422S

(12) **United States Design Patent**
Lo et al.

(10) **Patent No.:** **US D645,422 S**
(45) **Date of Patent:** **** Sep. 20, 2011**

(54) **HOUSING FOR LIGHT EMITTING DIODE**

(75) Inventors: **Hsing-Fen Lo**, Hsinchu (TW);
Chih-Hsun Ke, Hsinchu (TW);
Shiun-Wei Chan, Hsinchu (TW)

(73) Assignee: **Advanced Optoelectronic Technology, Inc.**, Hsinchu Hsien (TW)

(**) Term: **14 Years**

(21) Appl. No.: **29/383,831**

(22) Filed: **Jan. 22, 2011**

(51) **LOC (9) Cl.** **13-03**

(52) **U.S. Cl.** **D13/180**

(58) **Field of Classification Search** D13/180;
D26/1, 2; 257/79, 80, 81, 88, 89, 95, 98,
257/99, 100, E33.058; 313/483, 498, 500;
362/555, 800

See application file for complete search history.

(56) **References Cited**

U.S. PATENT DOCUMENTS

D500,292 S * 12/2004 Ishida D13/180
D518,449 S * 4/2006 Ishida D13/180
D550,170 S * 9/2007 Yoon et al. D13/180
D551,181 S * 9/2007 Son D13/180

D566,664 S * 4/2008 Kong D13/180
D573,549 S * 7/2008 Kong D13/180
D593,515 S * 6/2009 Nakagawa D13/180
D597,967 S * 8/2009 Im D13/180
D599,304 S * 9/2009 Kim et al. D13/180
D602,447 S * 10/2009 Sheng et al. D13/180
D622,231 S * 8/2010 Sung D13/180
7,859,004 B2 * 12/2010 Yamamoto 257/99
7,982,235 B2 * 7/2011 Asakawa et al. 257/99
2004/0046242 A1 * 3/2004 Asakawa 257/678
2010/0301376 A1 * 12/2010 Kim et al. 257/99

* cited by examiner

Primary Examiner — Selina Sikder

(74) *Attorney, Agent, or Firm* — Altis Law Group, Inc.

(57) **CLAIM**

The ornamental design for a housing for light emitting diode, as shown.

DESCRIPTION

FIG. 1 is a perspective view of a housing for light emitting diode showing our new design.

FIG. 2 is a front elevational view thereof.

FIG. 3 is a rear elevational view thereof.

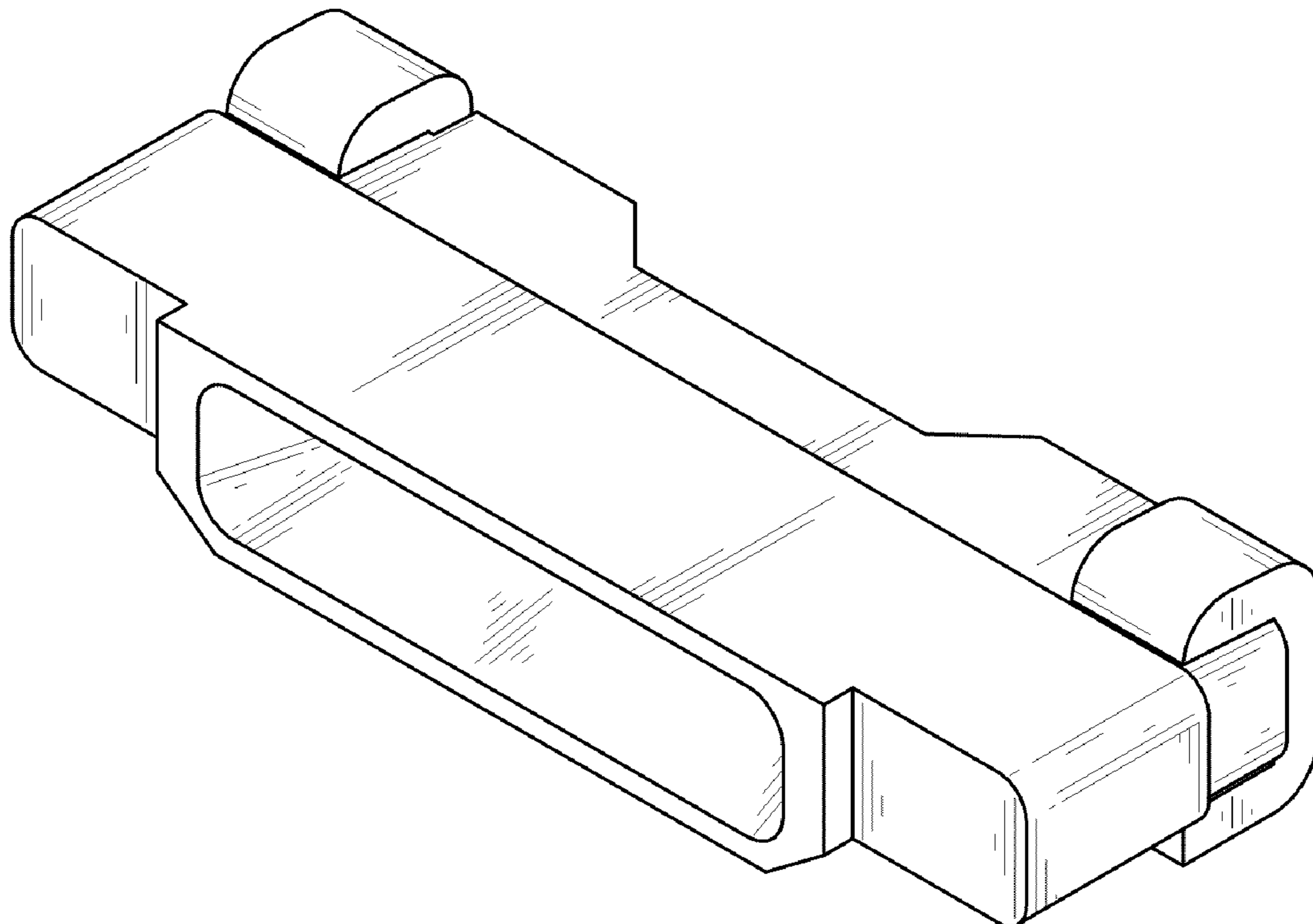
FIG. 4 is a left-side, elevational view thereof.

FIG. 5 is a right-side, elevational view thereof.

FIG. 6 is a top plan view thereof; and,

FIG. 7 is a bottom plan view thereof.

1 Claim, 7 Drawing Sheets



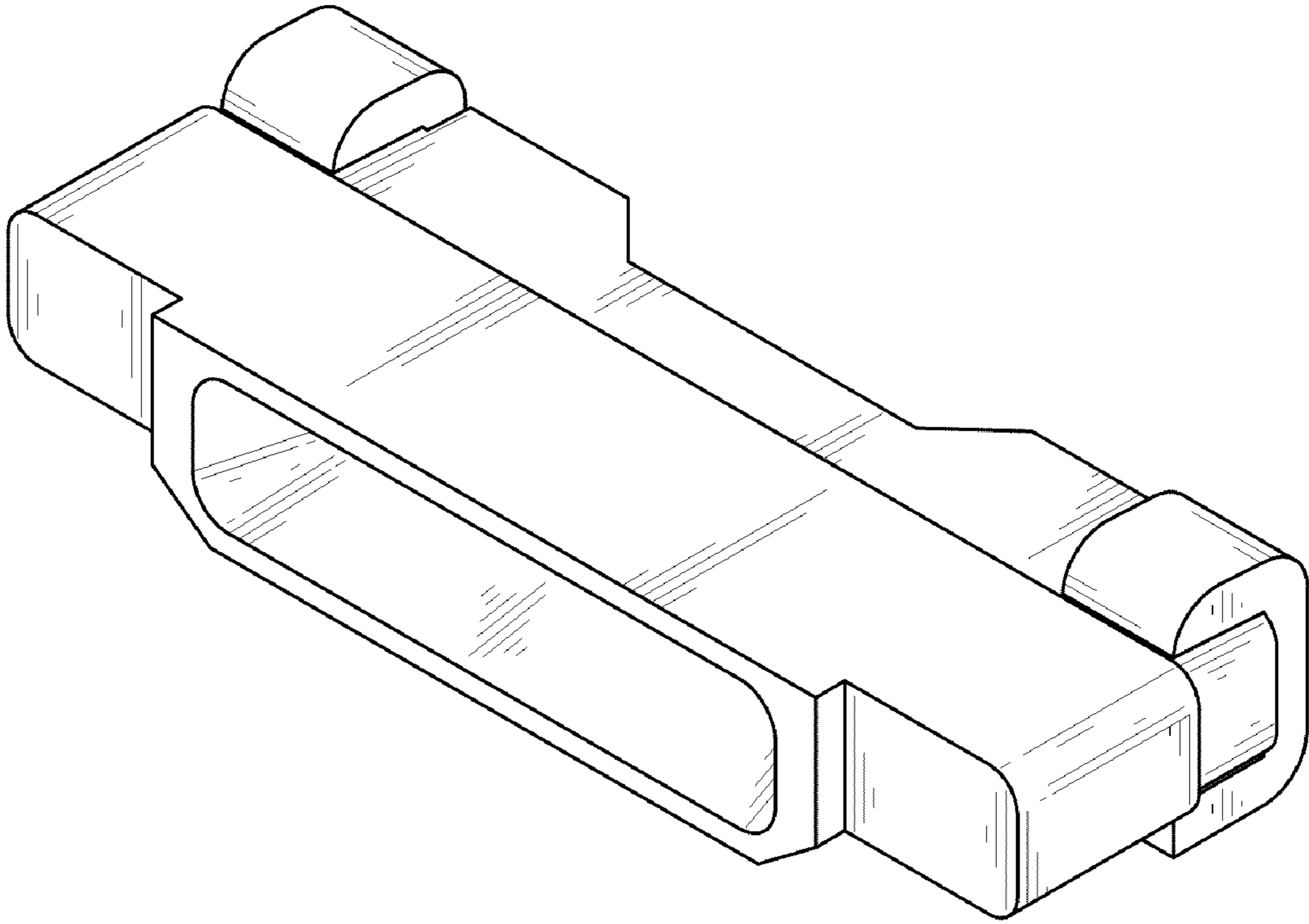


FIG. 1

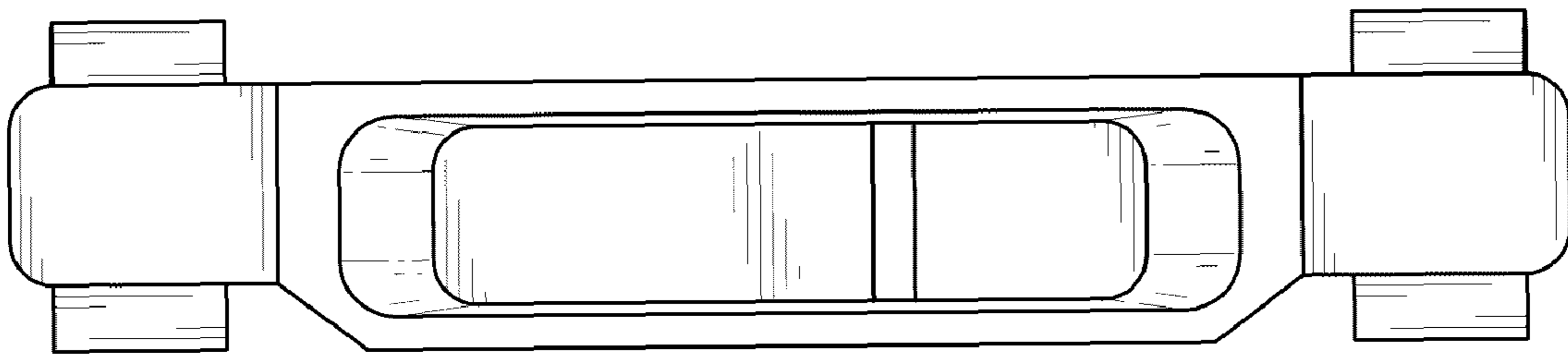


FIG. 2

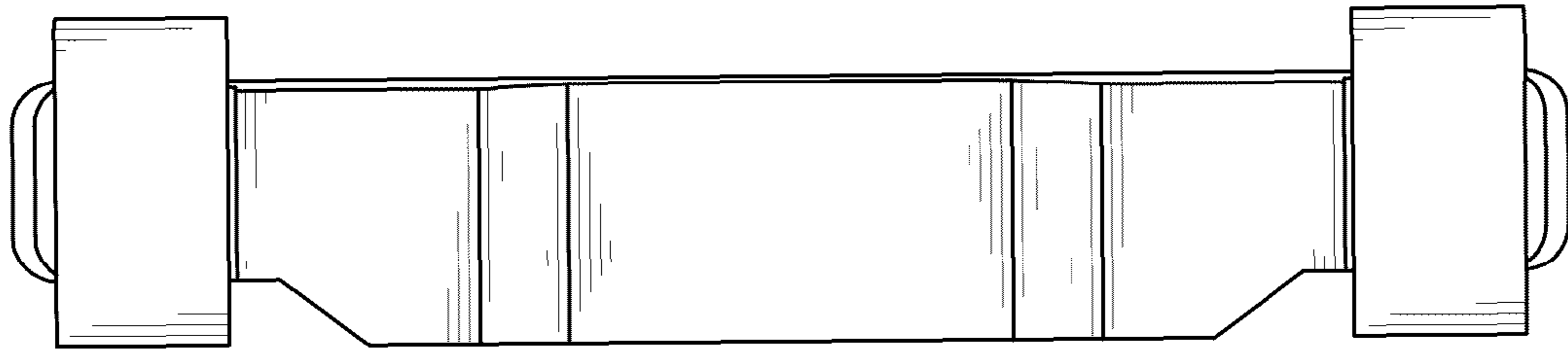


FIG. 3

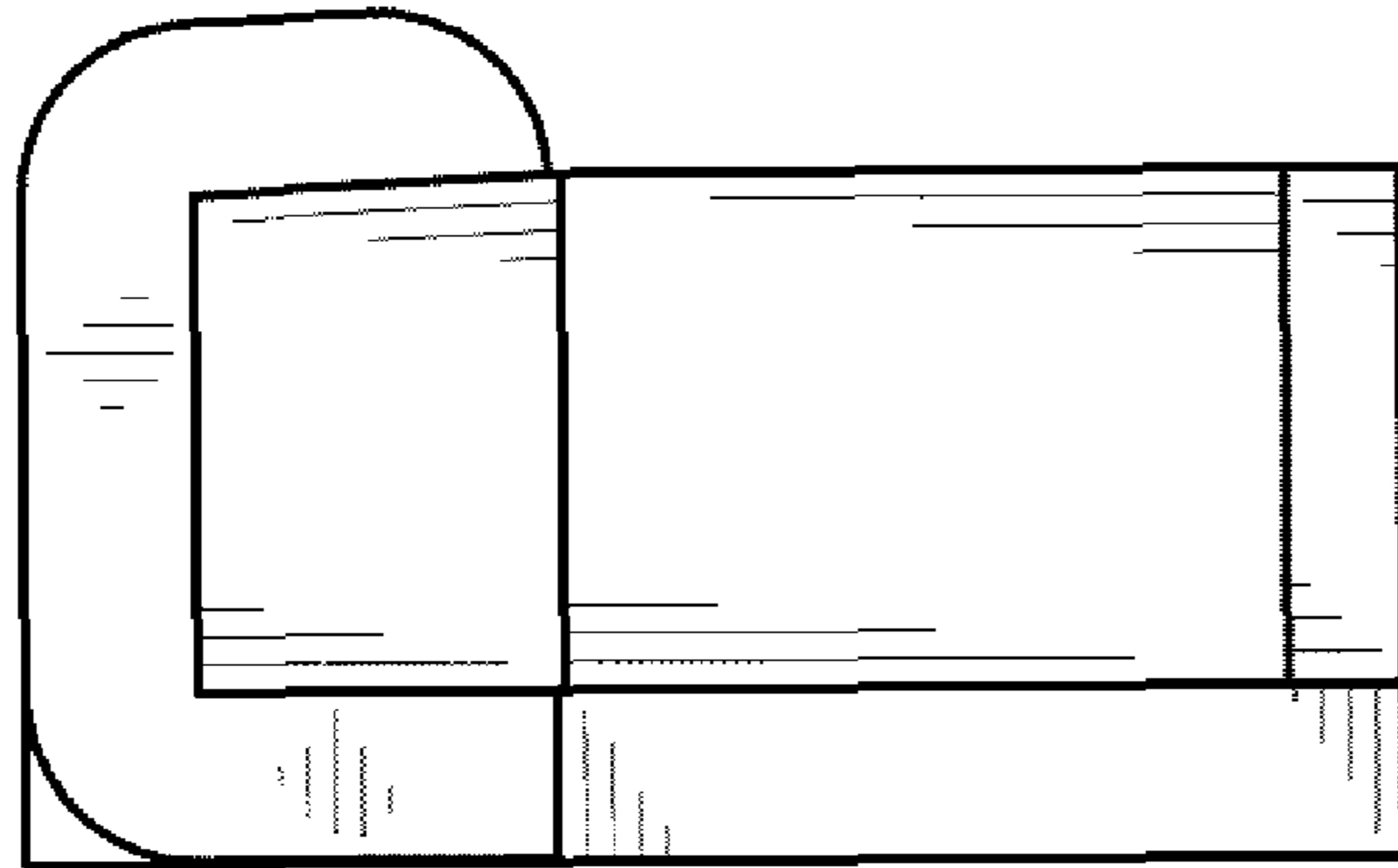


FIG. 4

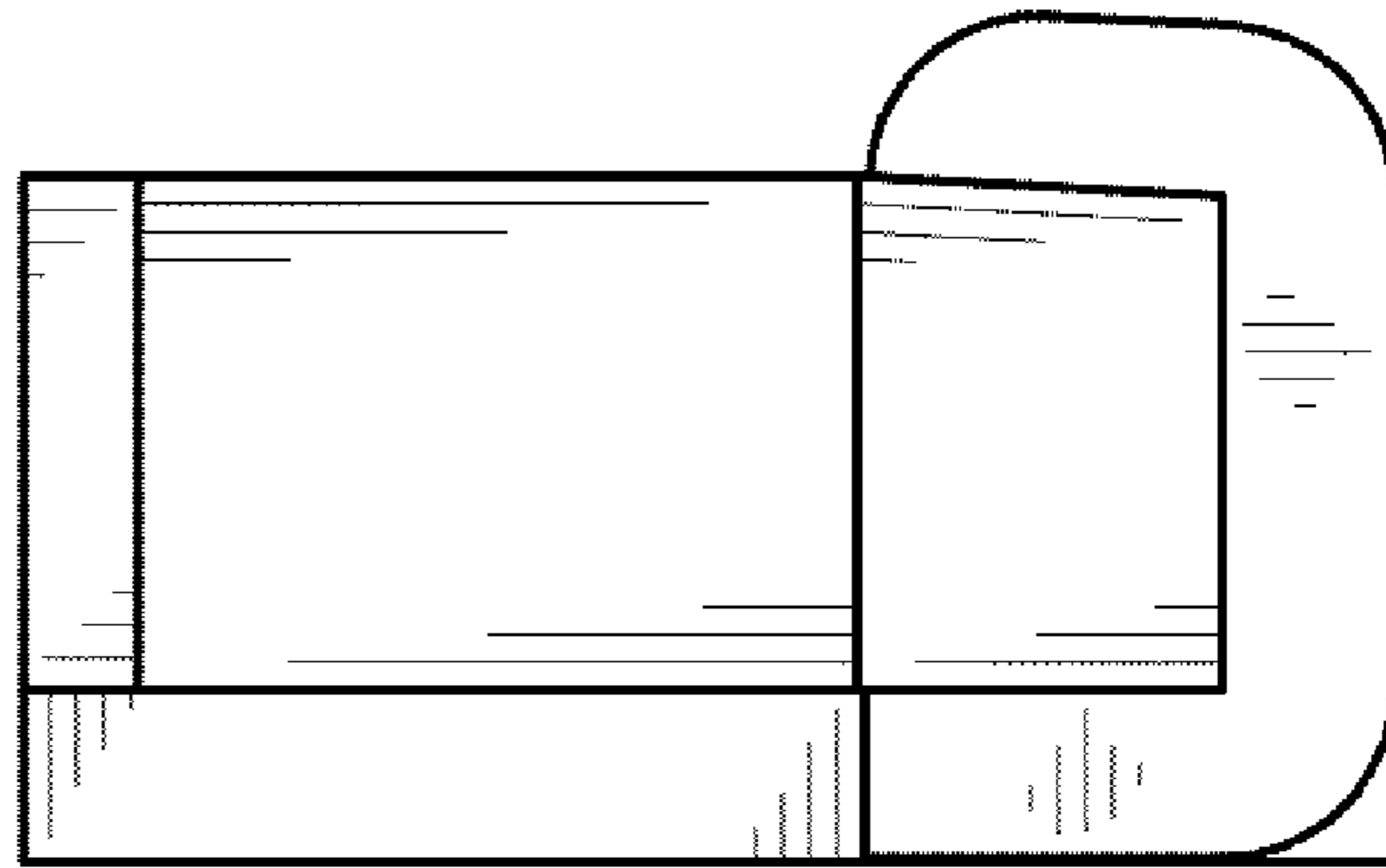


FIG. 5

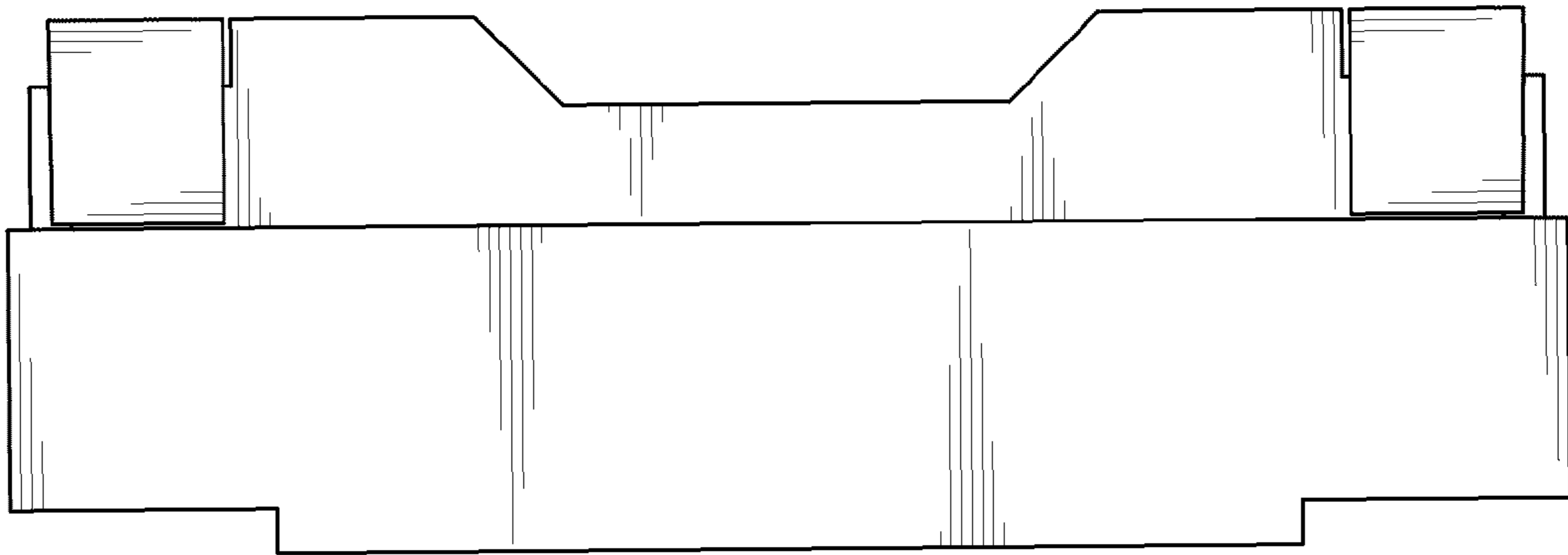


FIG. 6

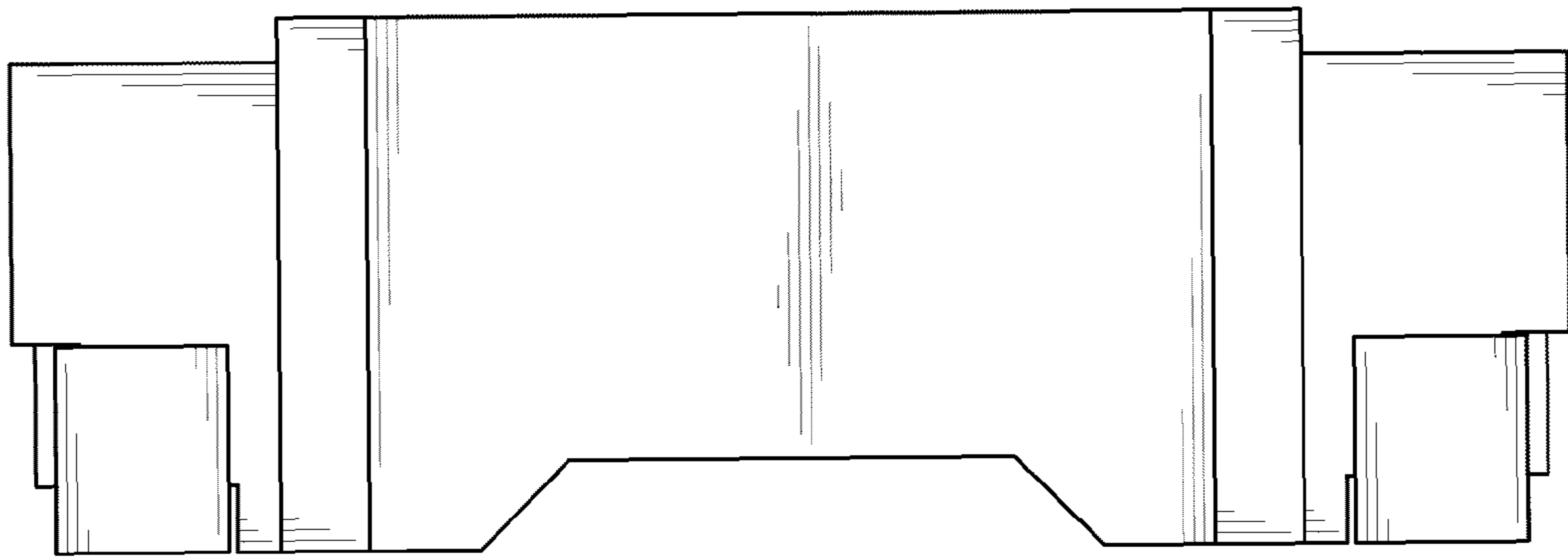


FIG. 7