



US00D645421S

(12) **United States Design Patent**
Wang et al.

(10) **Patent No.:** **US D645,421 S**

(45) **Date of Patent:** **** Sep. 20, 2011**

(54) **LED BASE**

(75) Inventors: **Bily Wang**, Hsinchu (TW); **Sung-Yi Hsiao**, Miaoli County (TW); **Jack Chen**, Miaoli County (TW)

(73) Assignee: **Harvatek Corporation**, Hsinchu (TW)

(**) Term: **14 Years**

(21) Appl. No.: **29/383,417**

(22) Filed: **Jan. 18, 2011**

(30) **Foreign Application Priority Data**

Jul. 16, 2010 (TW) 99303526

(51) **LOC (9) Cl.** **13-03**

(52) **U.S. Cl.** **D13/180**

(58) **Field of Classification Search** D13/180;
257/79, 80, 81, 88, 89, 95, 98, 99, 100, E33.058;
313/483, 498, 500; 362/555, 800

See application file for complete search history.

(56) **References Cited**

U.S. PATENT DOCUMENTS

7,217,947	B2 *	5/2007	Clarke et al.	257/14
D566,665	S *	4/2008	Liao et al.	D13/180
7,679,095	B2 *	3/2010	Kondo	257/98
D615,504	S *	5/2010	Keller et al.	D13/180
D616,385	S *	5/2010	Chen et al.	D13/180
7,812,363	B2 *	10/2010	Higashi	257/98
D631,020	S *	1/2011	Chuang et al.	D13/180
D633,631	S *	3/2011	Shieh et al.	D26/1

D637,565	S *	5/2011	Wu et al.	D13/180
D638,810	S *	5/2011	Morikawa et al.	D13/180
2009/0108281	A1 *	4/2009	Keller et al.	257/98
2010/0252851	A1 *	10/2010	Emerson et al.	257/98

* cited by examiner

Primary Examiner — Selina Sikder

(74) *Attorney, Agent, or Firm* — Rosenberg, Klein & Lee

(57) **CLAIM**

The ornamental design for an “LED base,” as shown and described.

DESCRIPTION

FIG. 1 is a perspective view of an “LED base” showing my new design;

FIG. 2 is a front view thereof;

FIG. 3 is a rear view thereof;

FIG. 4 is a left side view thereof;

FIG. 5 is a right side view thereof;

FIG. 6 is a top view thereof;

FIG. 7 is a bottom view thereof;

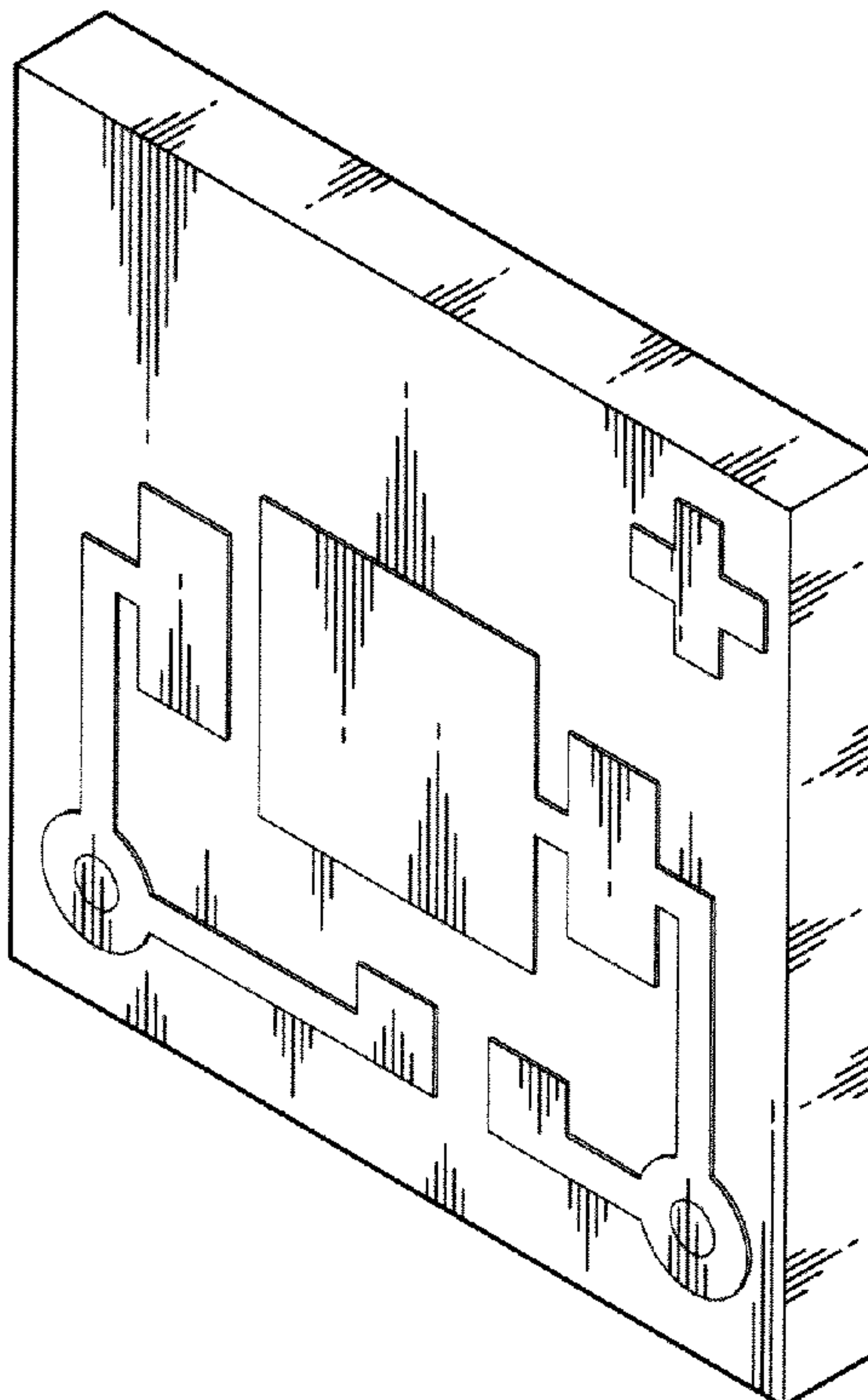
FIG. 8 is a perspective view showing the first practical usage;

FIG. 9 is a perspective view showing the second practical usage; and,

FIG. 10 is a perspective view showing the third practical usage thereof.

The broken lines throughout the drawings are included for the purpose of illustrating portions of the subject matter that form no part of the claimed design.

1 Claim, 7 Drawing Sheets



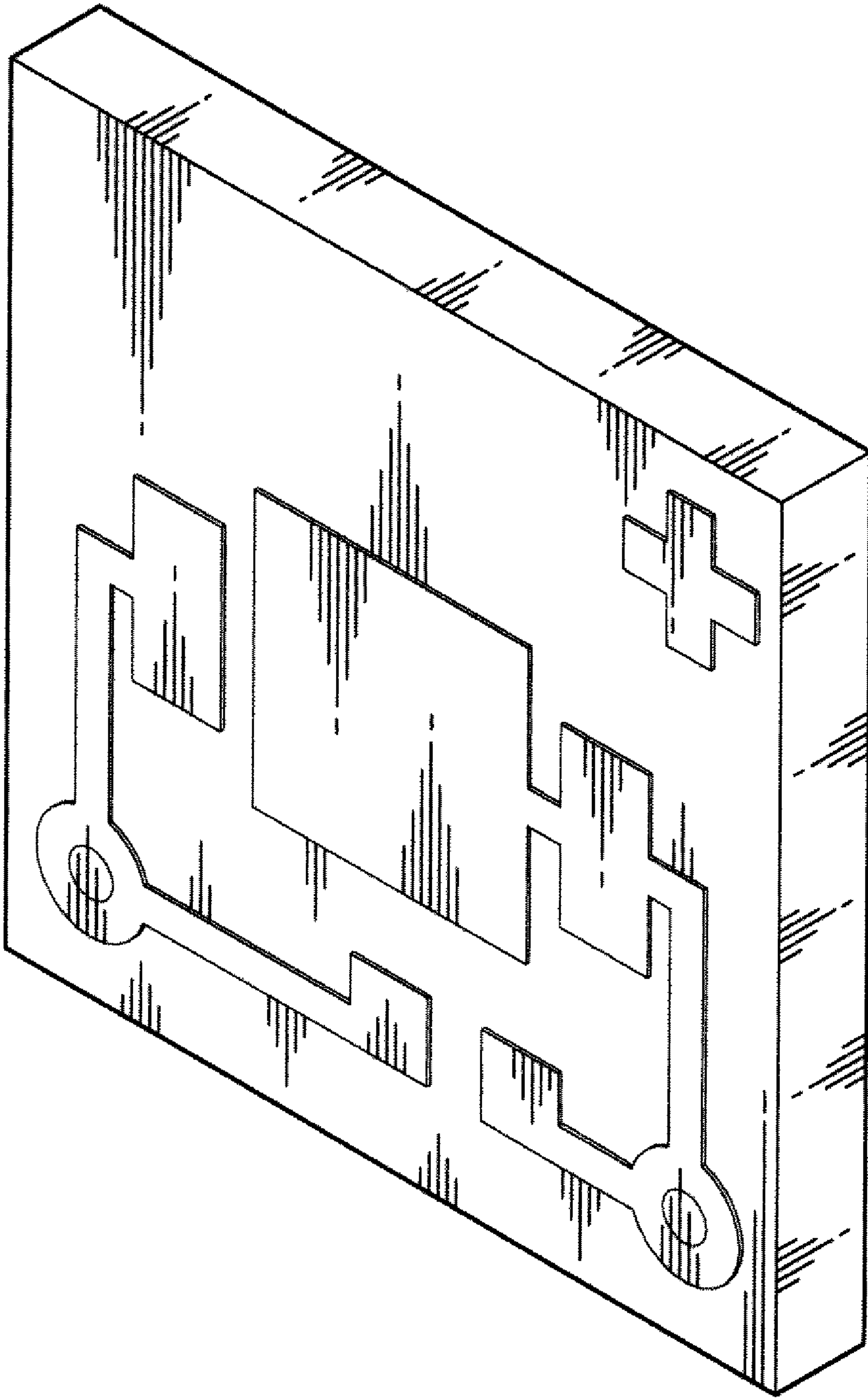


FIG. 1

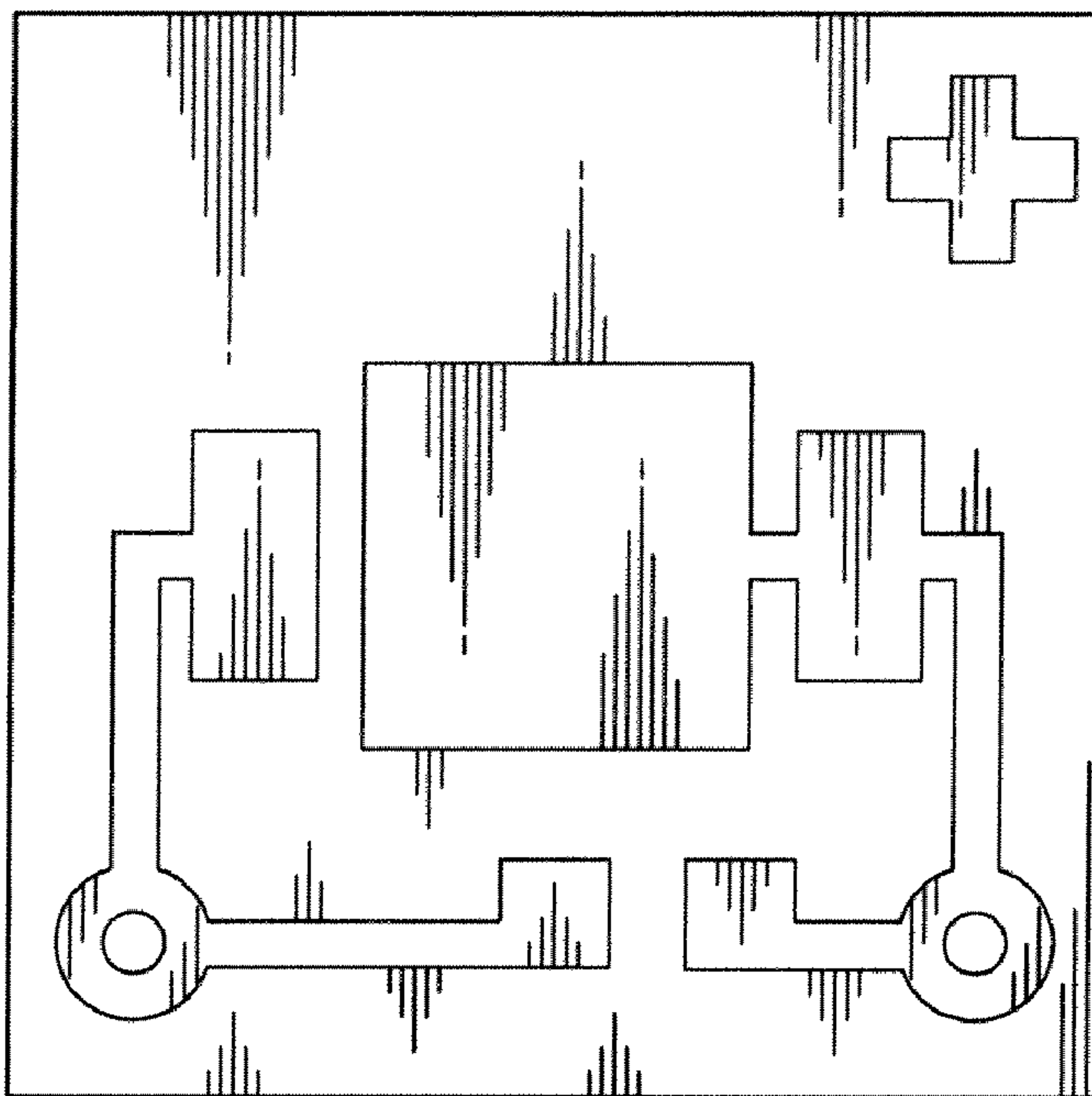


FIG. 2

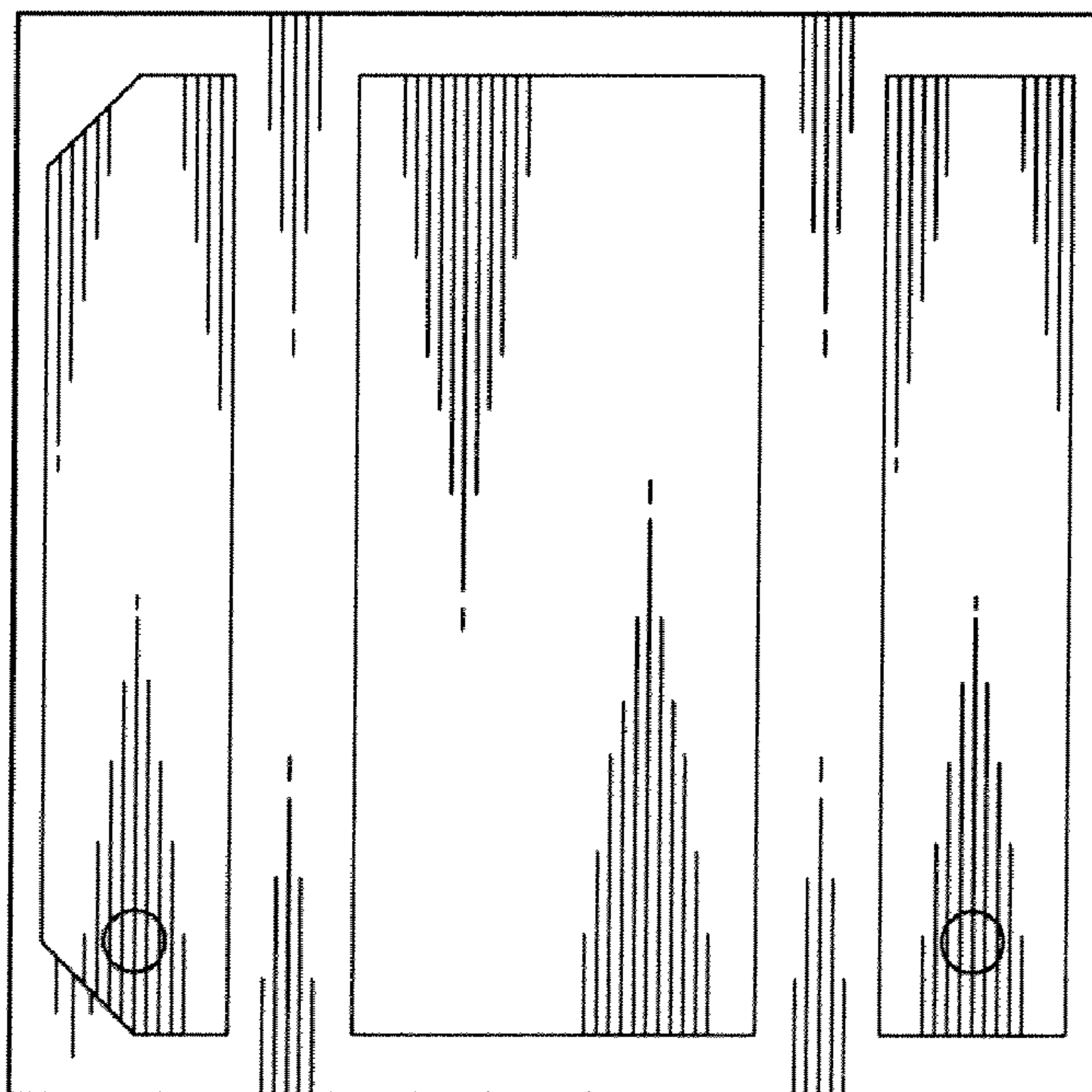


FIG. 3



FIG. 4



FIG. 5

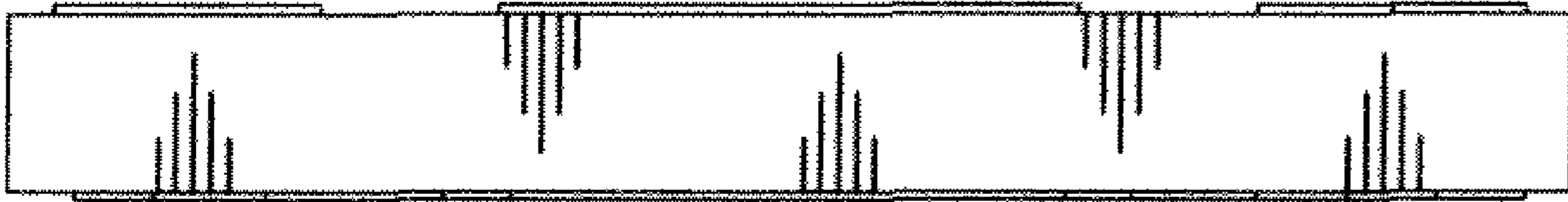


FIG. 6

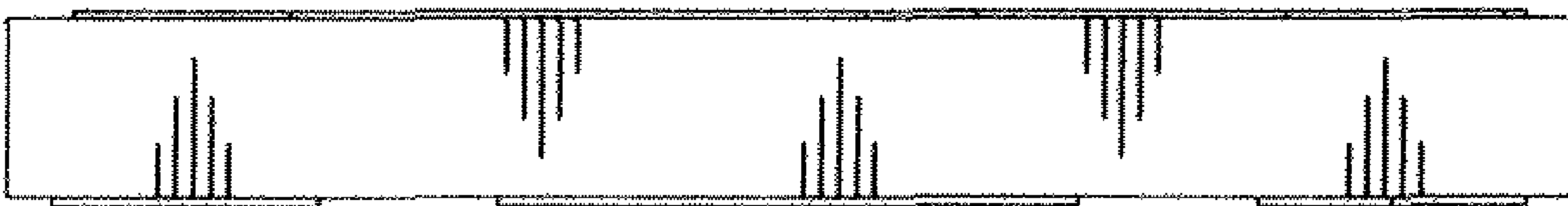


FIG. 7

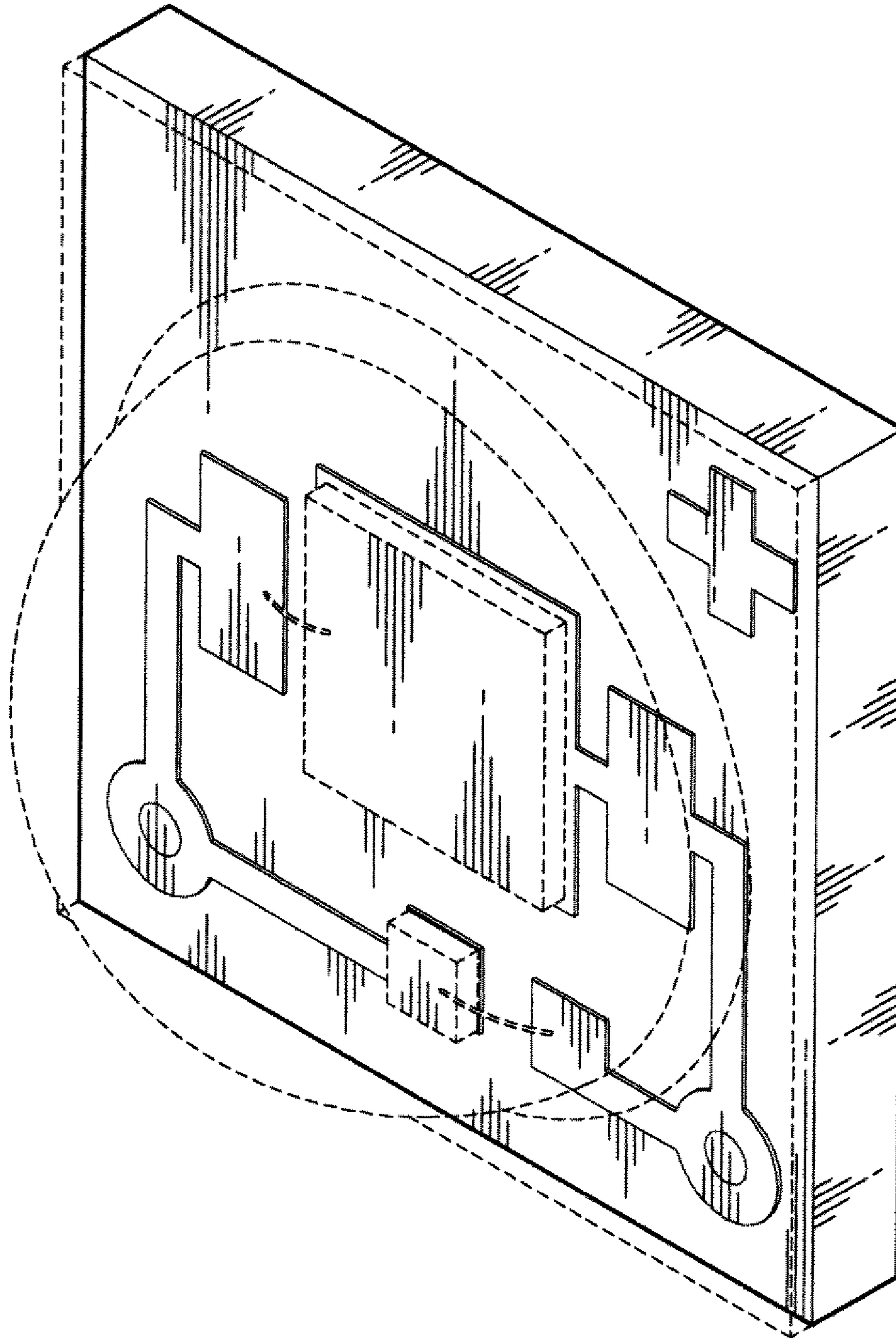


FIG. 8

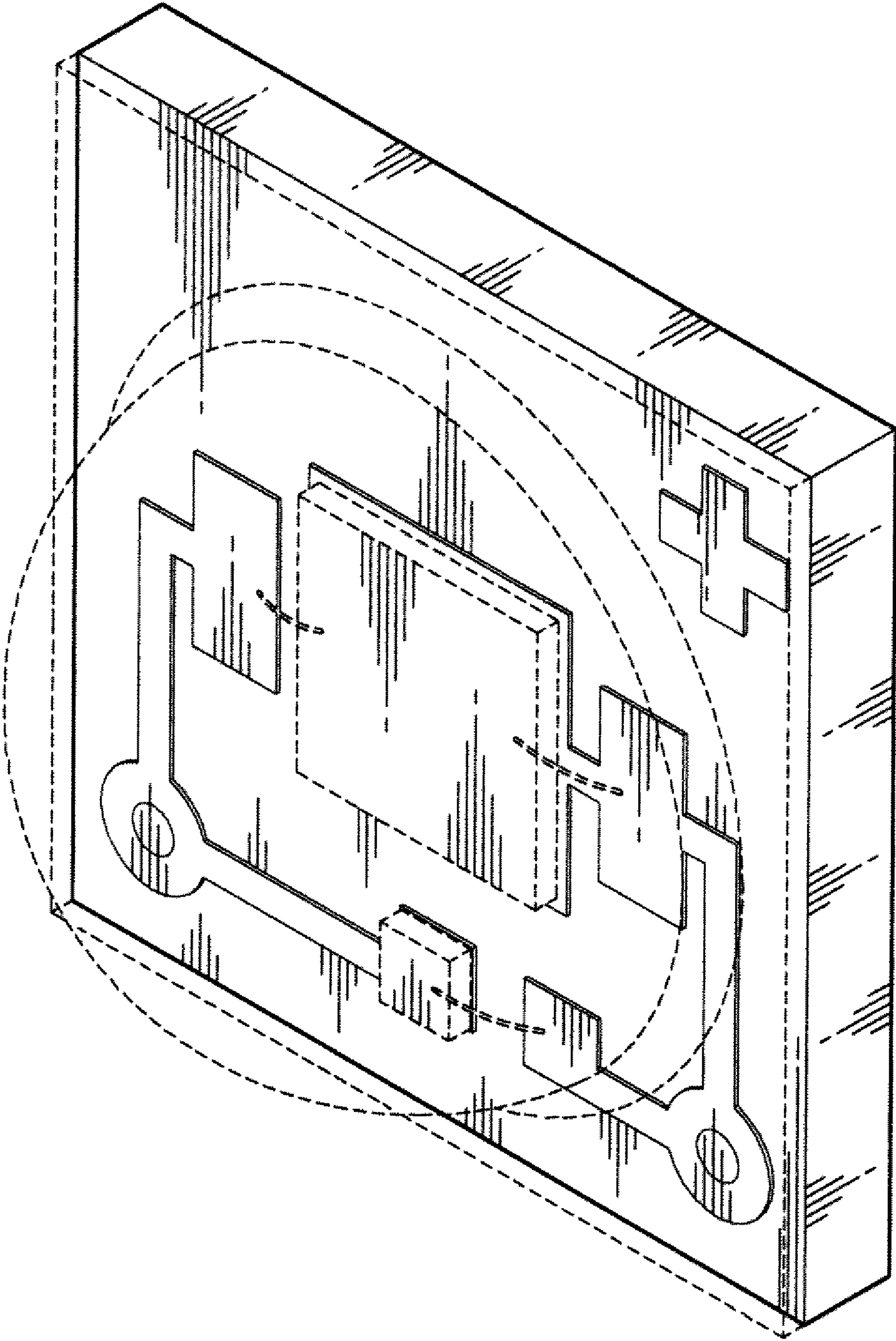


FIG. 9

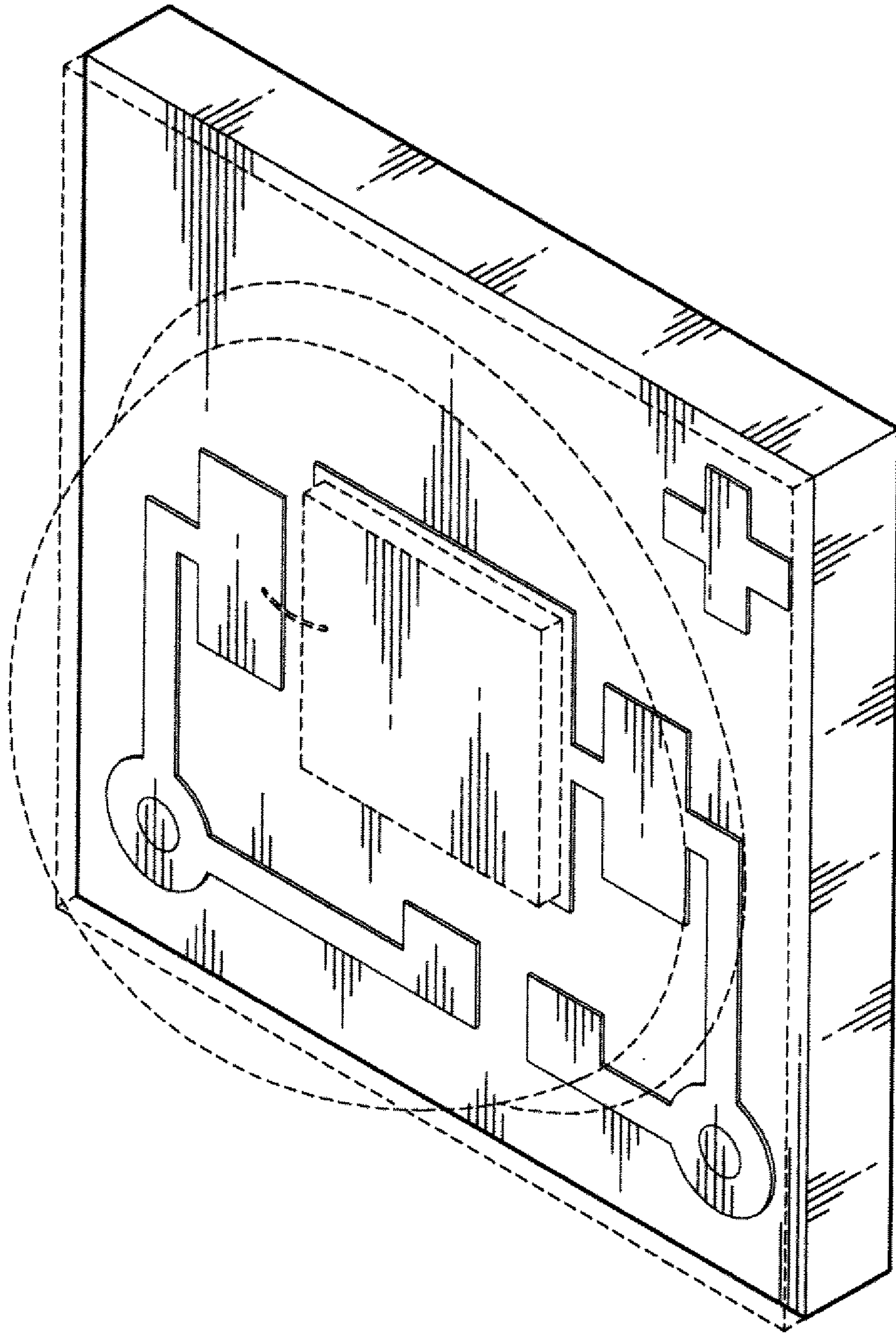


FIG. 10