



US00D645415S

(12) **United States Design Patent**
Sakakibara et al.

(10) **Patent No.:** **US D645,415 S**

(45) **Date of Patent:** **** Sep. 20, 2011**

(54) **OPERATION SWITCH**

(75) Inventors: **Mizuho Sakakibara**, Tokyo (JP);
Shoichi Kobayashi, Hyogo (JP); **Yohei Kume**, Osaka (JP); **Shohei Tsukada**, Osaka (JP); **Hideo Kawakami**, Osaka (JP); **Tohru Nakamura**, Osaka (JP)

(73) Assignee: **Panasonic Corporation**, Osaka (JP)

(**) Term: **14 Years**

(21) Appl. No.: **29/357,861**

(22) Filed: **Mar. 18, 2010**

(30) **Foreign Application Priority Data**

Sep. 18, 2009 (JP) 2009-21683

(51) **LOC (9) Cl.** **13-03**

(52) **U.S. Cl.** **D13/173**

(58) **Field of Classification Search** D13/169,
D13/170, 173; 200/43.01, 43.16, 43.19,
200/293, 296, 303, 339, 553

See application file for complete search history.

(56) **References Cited**

U.S. PATENT DOCUMENTS

2,336,036	A *	12/1943	Rypinski	200/303
2,874,338	A *	2/1959	Pease	361/632
3,601,568	A *	8/1971	Sorenson	200/304
4,158,116	A *	6/1979	Krueger	200/43.19
4,430,534	A *	2/1984	Sorenson	200/433
5,290,979	A *	3/1994	Grass	200/43.19

5,349,145	A *	9/1994	Kelaita et al.	200/43.15
5,907,140	A *	5/1999	Smith	200/43.19
6,137,068	A *	10/2000	Padulo	200/43.16
6,365,851	B1 *	4/2002	Gasper	200/43.14
D534,874	S *	1/2007	Potts	D13/169
D558,690	S *	1/2008	Anderson et al.	D13/169
D605,606	S *	12/2009	Zheng	D13/171
2004/0104105	A1 *	6/2004	Hsu et al.	200/296
2008/0067049	A1 *	3/2008	Lanser et al.	200/339

* cited by examiner

Primary Examiner — Selina Sikder

(74) *Attorney, Agent, or Firm* — Brinks Hofer Gilson & Lione

(57) **CLAIM**

We claim the ornamental design for an operation switch, as shown and described.

DESCRIPTION

FIG. 1 is a top perspective view of an operation switch of the present invention;
FIG. 2 is a front view thereof;
FIG. 3 is a rear view thereof;
FIG. 4 is a first side view thereof;
FIG. 5 is a second side view thereof;
FIG. 6 is a top view thereof;
FIG. 7 is a bottom view thereof; and,
FIG. 8 is a top perspective view thereof shown in an environmental use.

The broken line showing of operation switch is included for the purpose of illustrating environment and forms no part of the claimed design.

1 Claim, 8 Drawing Sheets

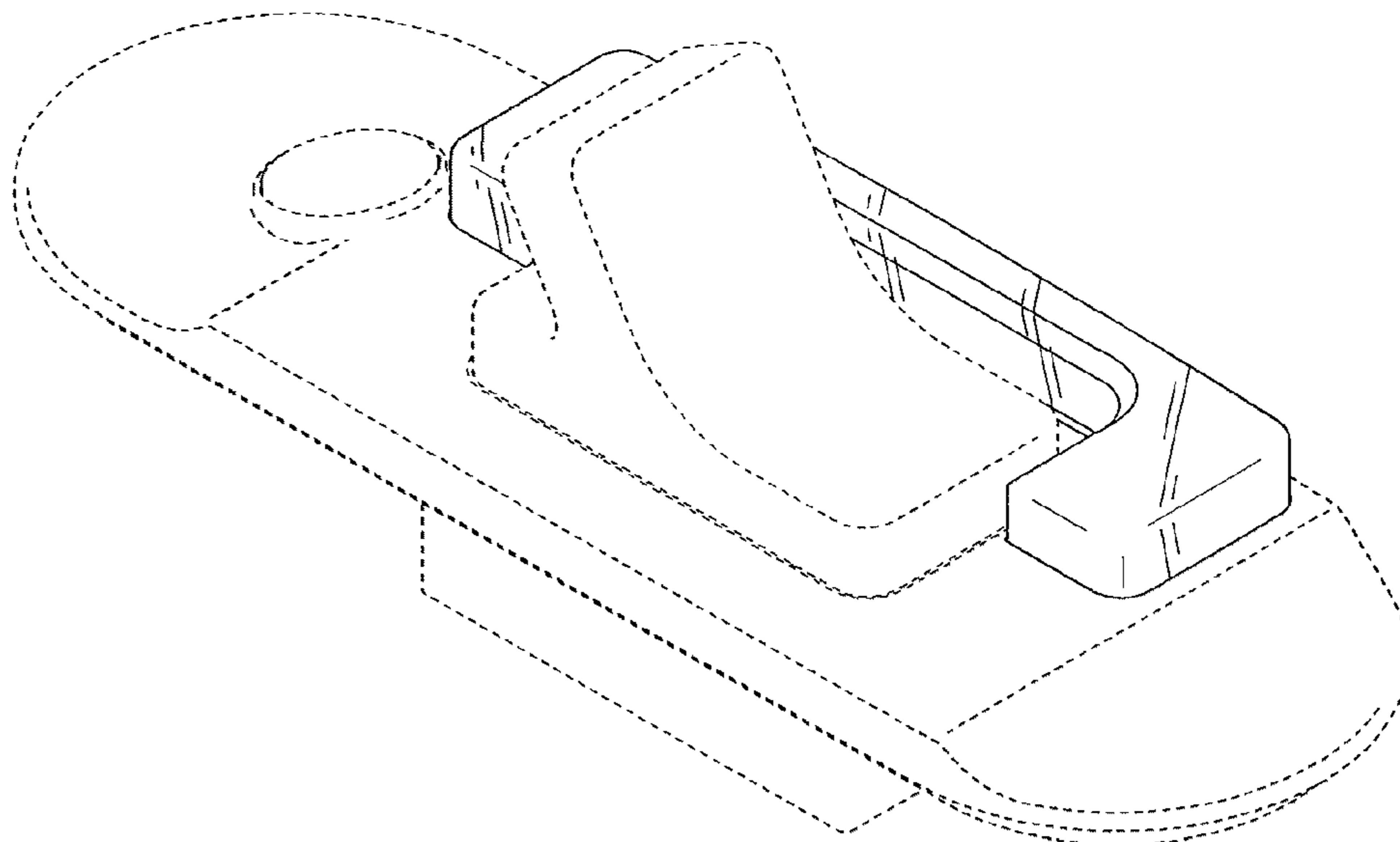


FIG.1

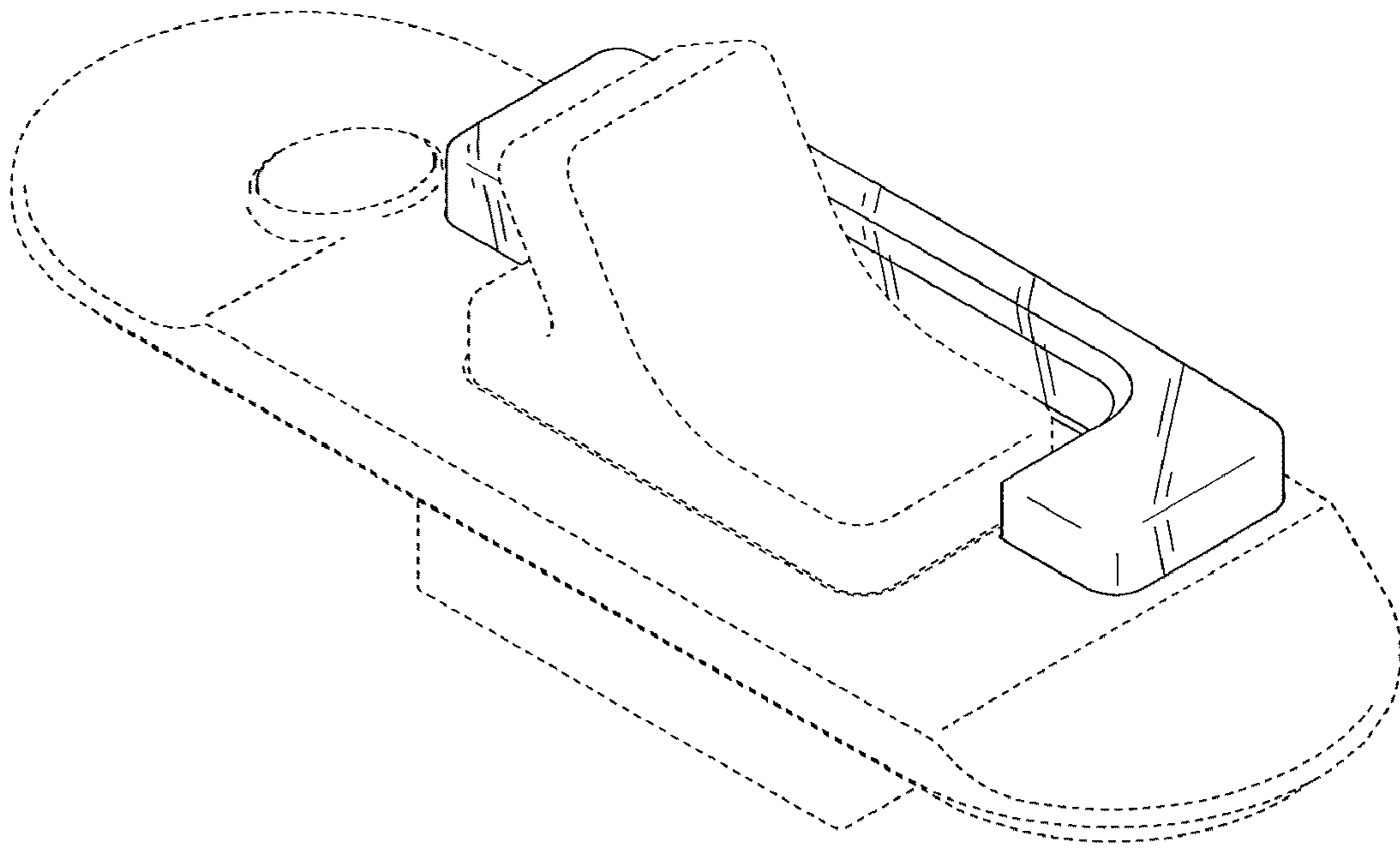


FIG.2

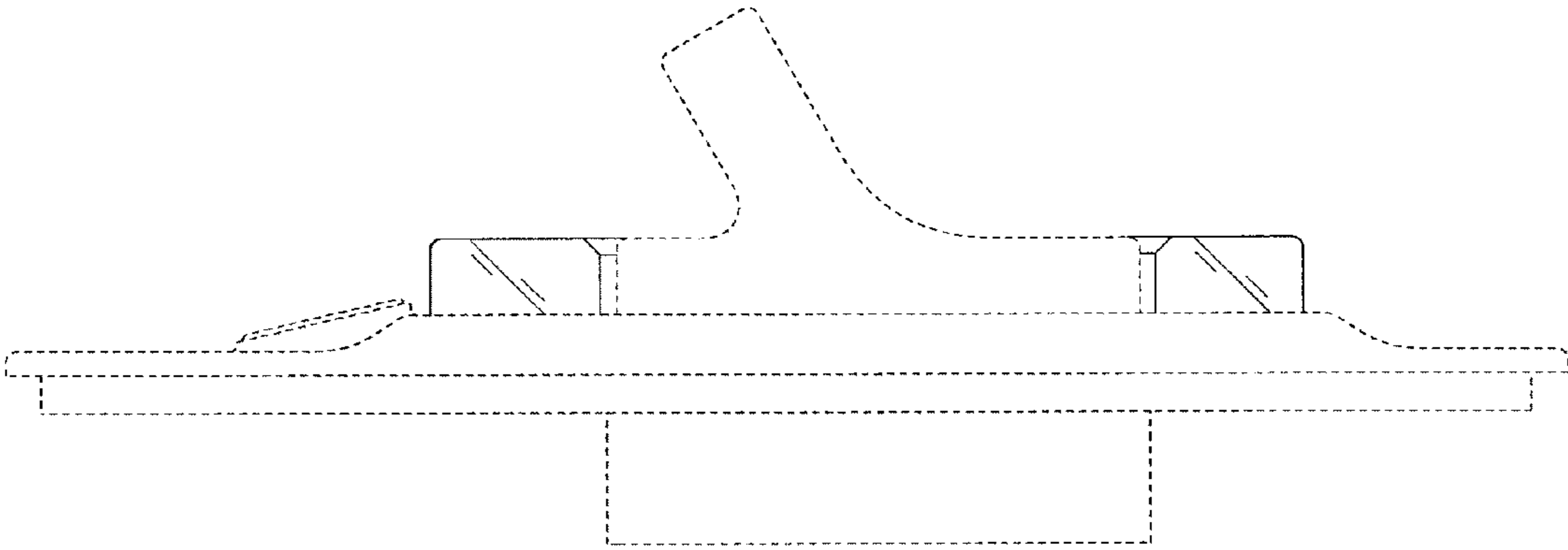


FIG.3

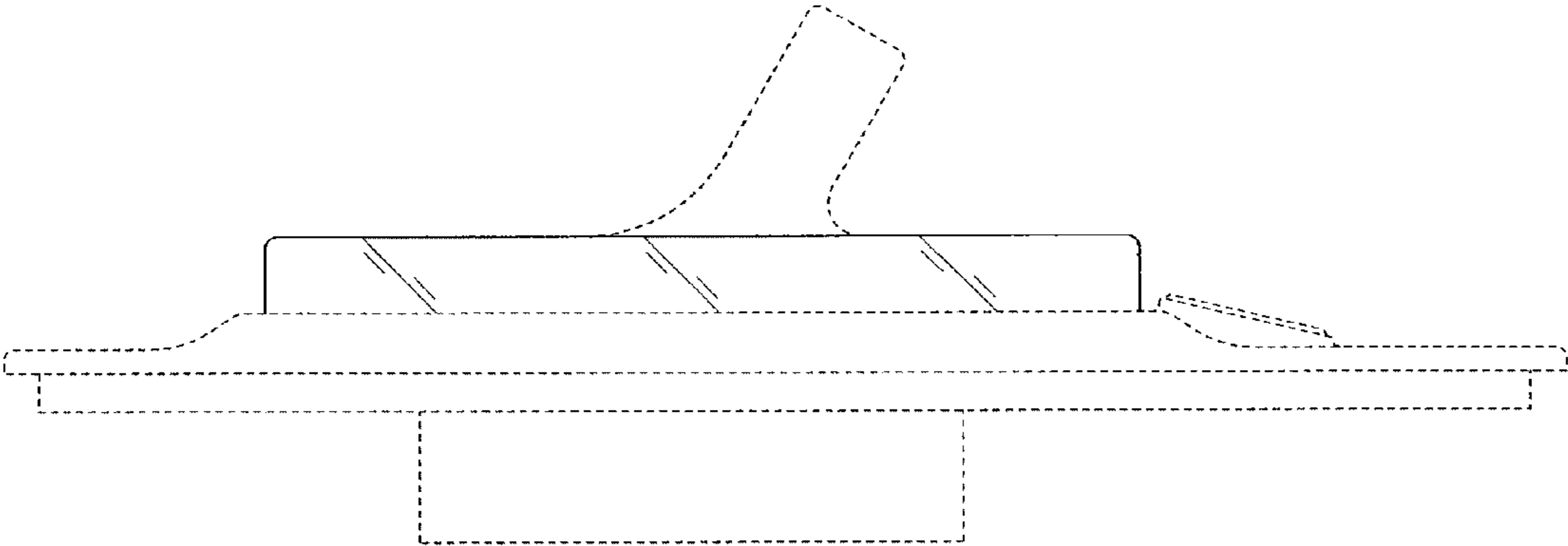


FIG.4

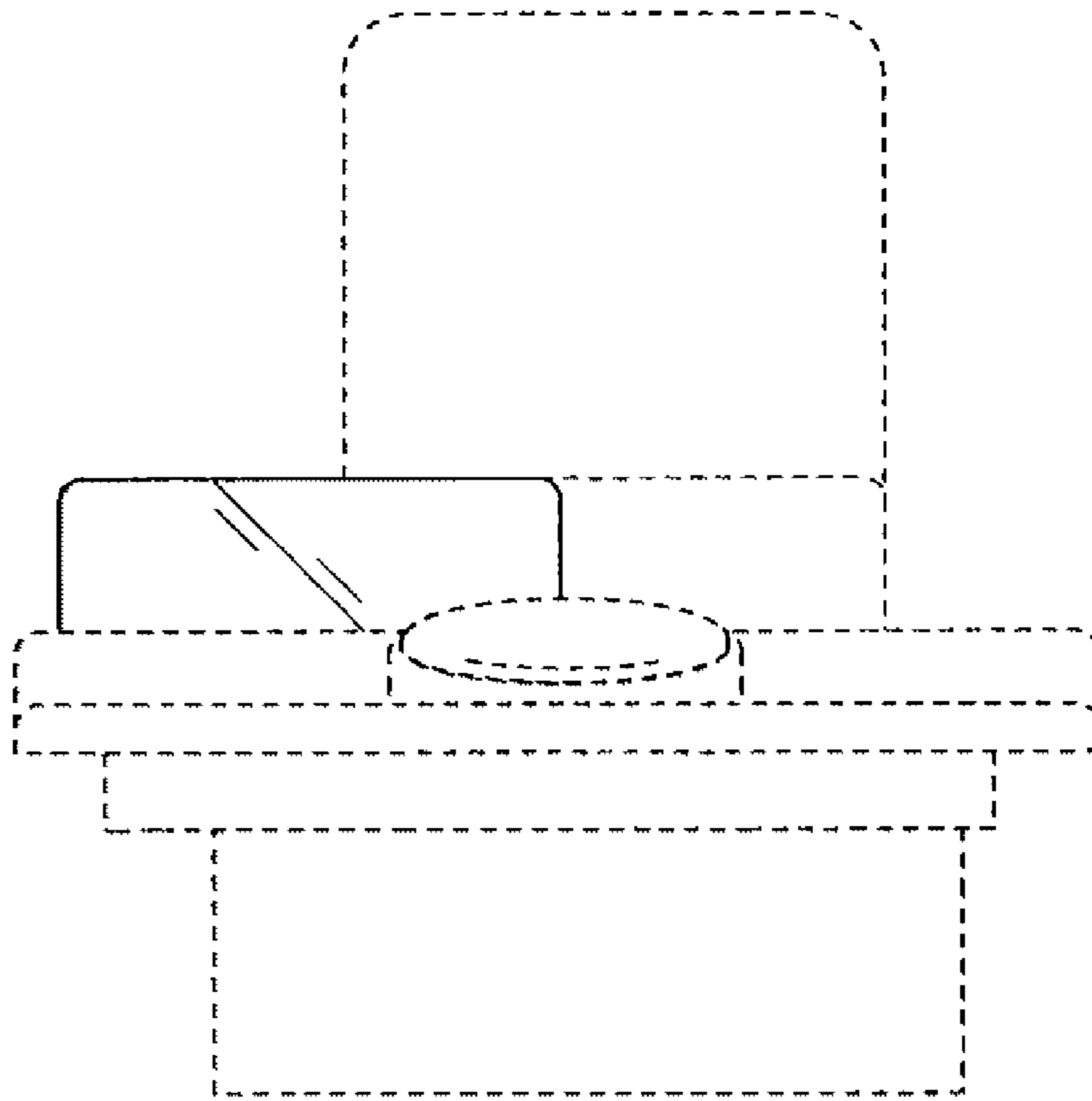


FIG.5

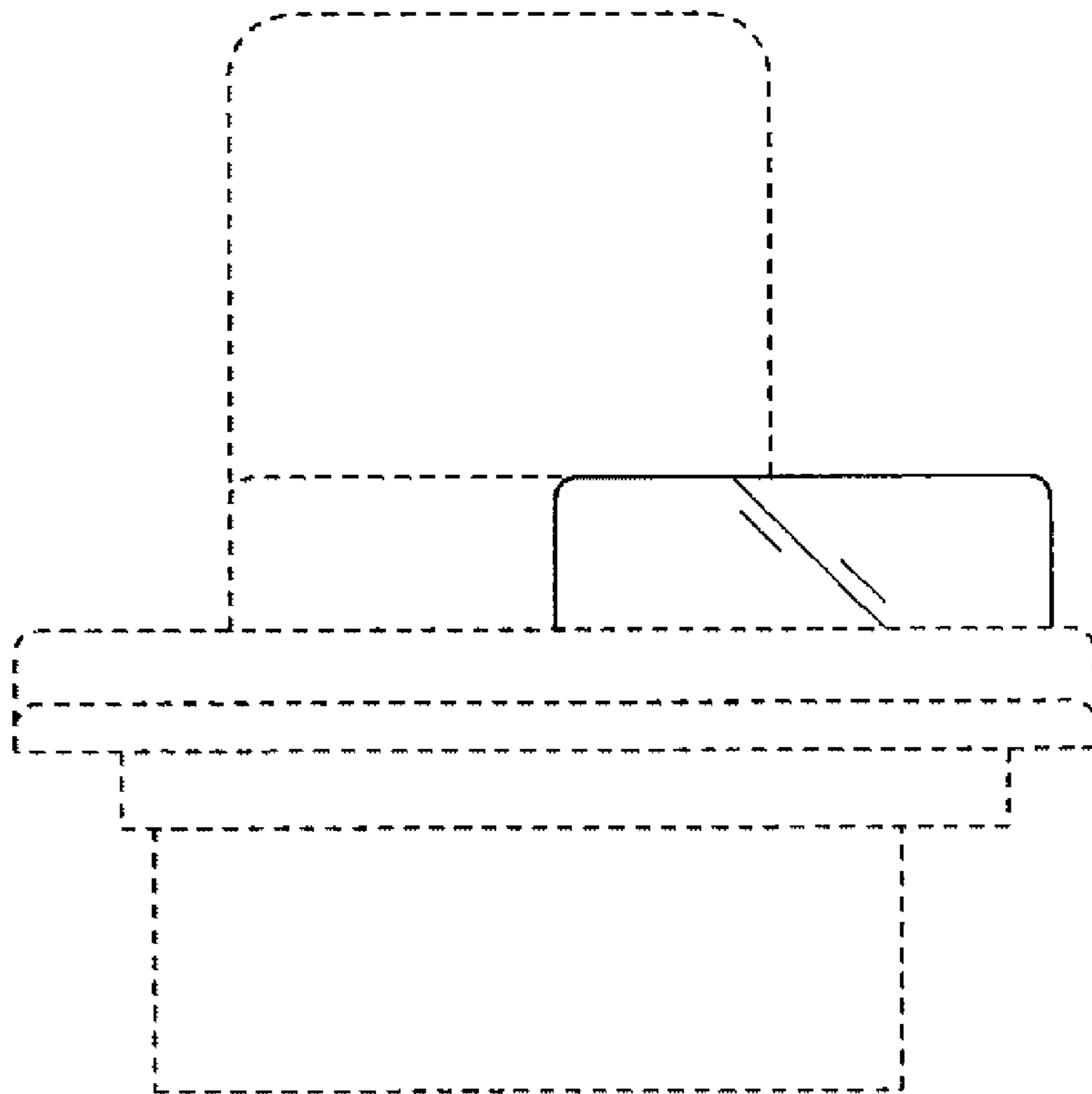


FIG.6

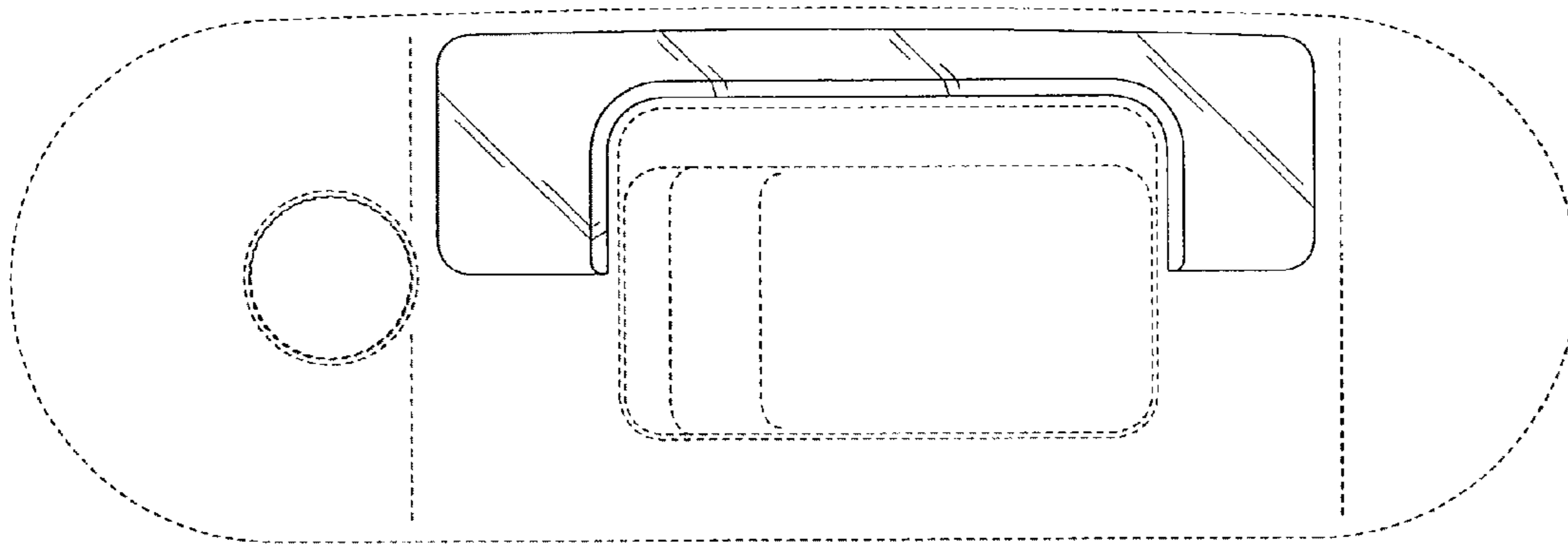


FIG.7

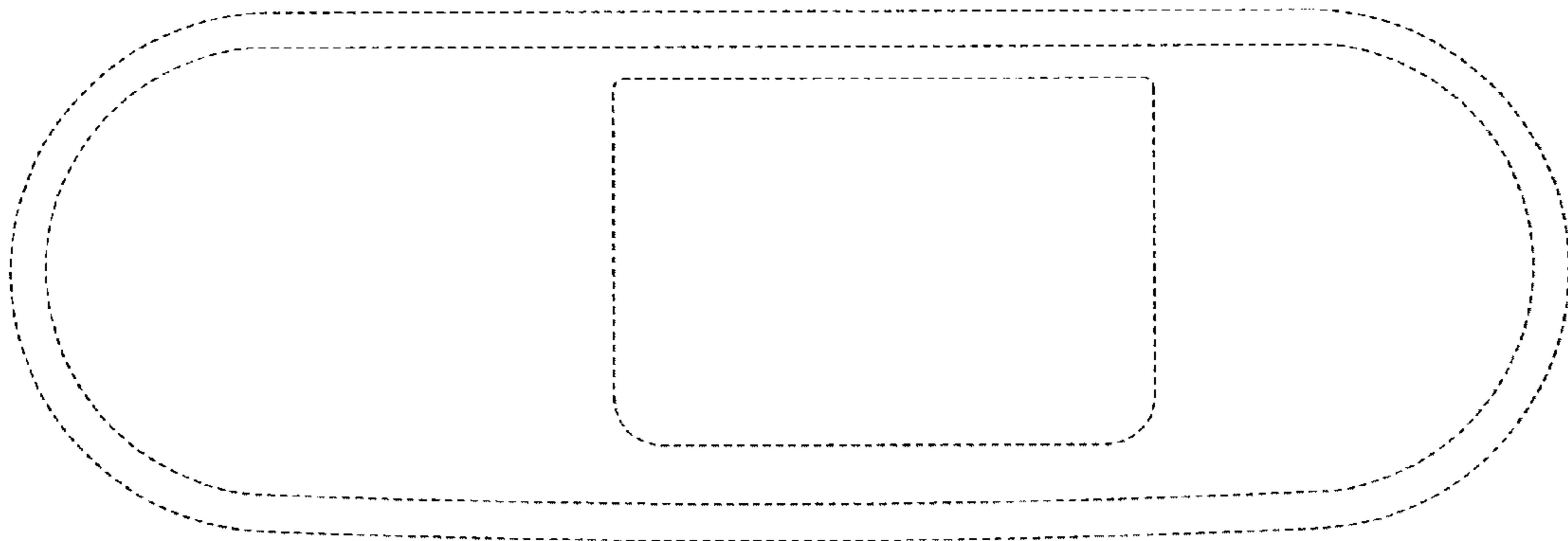


FIG.8

