



US00D645409S

(12) **United States Design Patent**
Lam

(10) **Patent No.:** **US D645,409 S**

(45) **Date of Patent:** **** Sep. 20, 2011**

(54) **CONNECTOR TERMINAL**

(75) Inventor: **Wai Hung Lam**, Hong Kong (HK)

(73) Assignee: **Sharp Win Industrial Limited**, Hong Kong (CN)

(**) Term: **14 Years**

(21) Appl. No.: **29/377,610**

(22) Filed: **Oct. 22, 2010**

(51) **LOC (9) Cl.** **13-03**

(52) **U.S. Cl.** **D13/154**

(58) **Field of Classification Search** D13/120,
D13/133, 147, 154, 184, 199; 439/839, 849–850,
439/852, 862, 870, 877, 884–885, 887–891
See application file for complete search history.

(56) **References Cited**

U.S. PATENT DOCUMENTS

D212,755 S * 11/1968 Relder, Jr. D13/149
D494,545 S * 8/2004 Kuroda et al. D13/154

D556,136 S * 11/2007 Shiga et al. D13/133
D621,368 S * 8/2010 Lee et al. D13/154
2003/0109181 A1* 6/2003 Bungo 439/852

* cited by examiner

Primary Examiner — Daniel Bui

(74) *Attorney, Agent, or Firm* — William J. Sapone;
Coleman Sudol Sapone P.C.

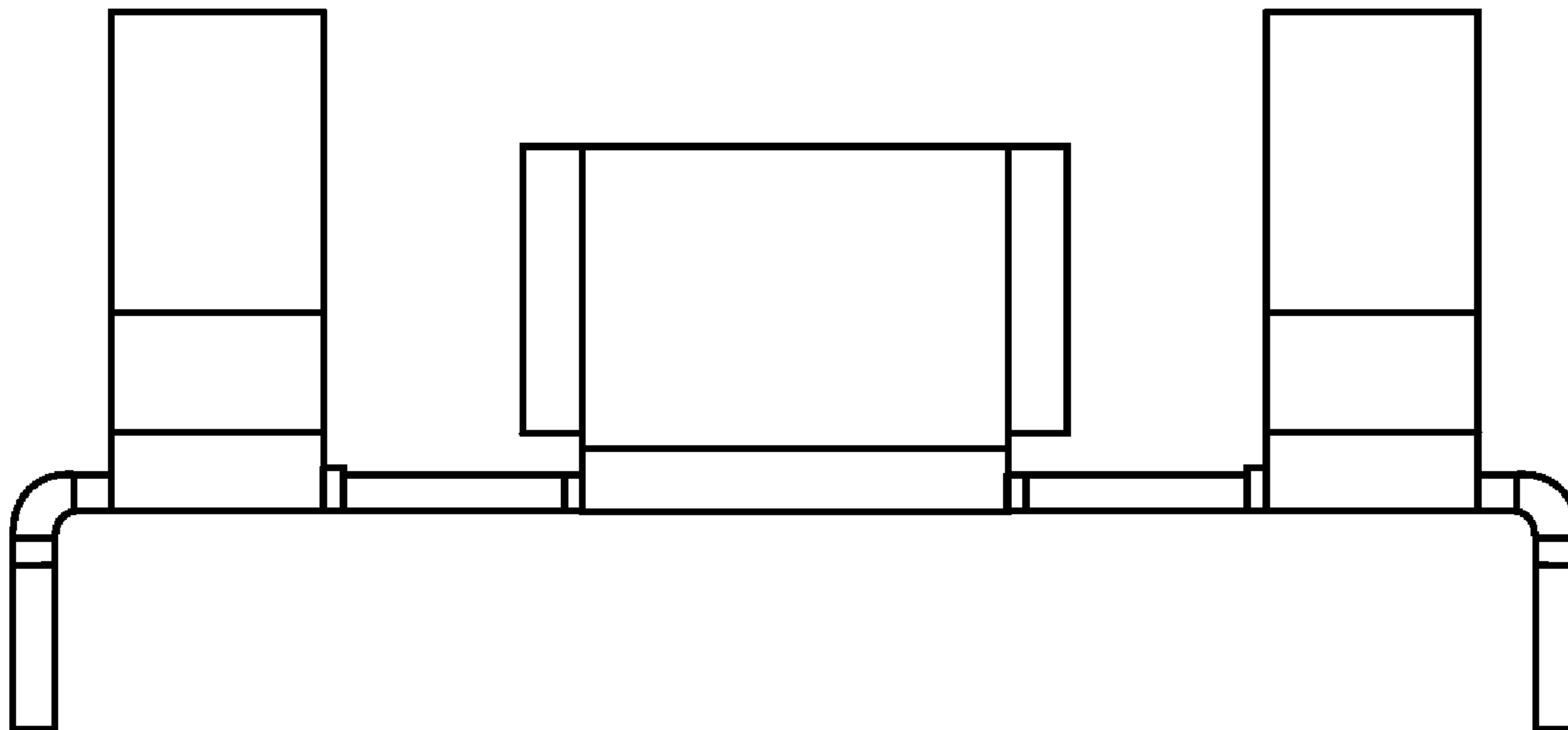
(57) **CLAIM**

I claim the ornamental design for connector terminal, as shown and described.

DESCRIPTION

FIG. 1 is a front view of the connector terminal showing my new design;
FIG. 2 is a top view thereof;
FIG. 3 is a bottom view thereof;
FIG. 4 is a side view thereof, the opposite side being a mirror image thereof;
FIG. 5 is a front perspective view thereof; and,
FIG. 6 is a rear perspective view thereof.

1 Claim, 2 Drawing Sheets



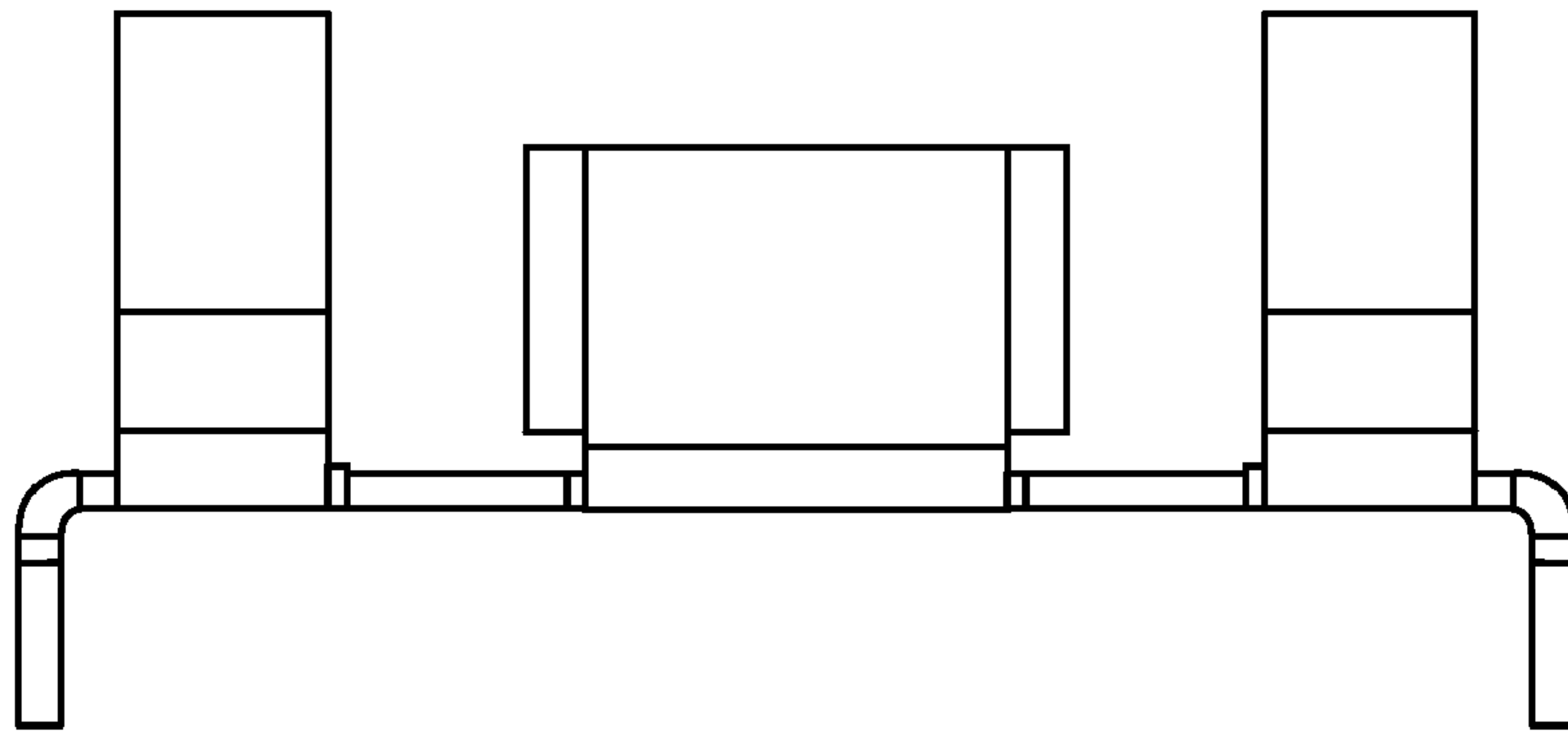


FIG. 1

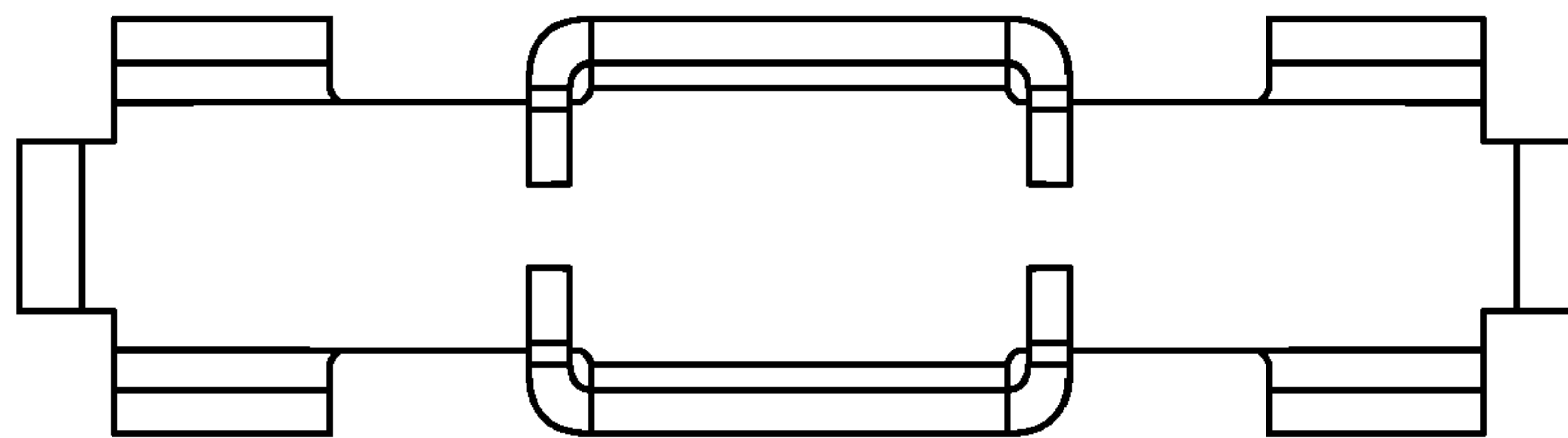


FIG. 2

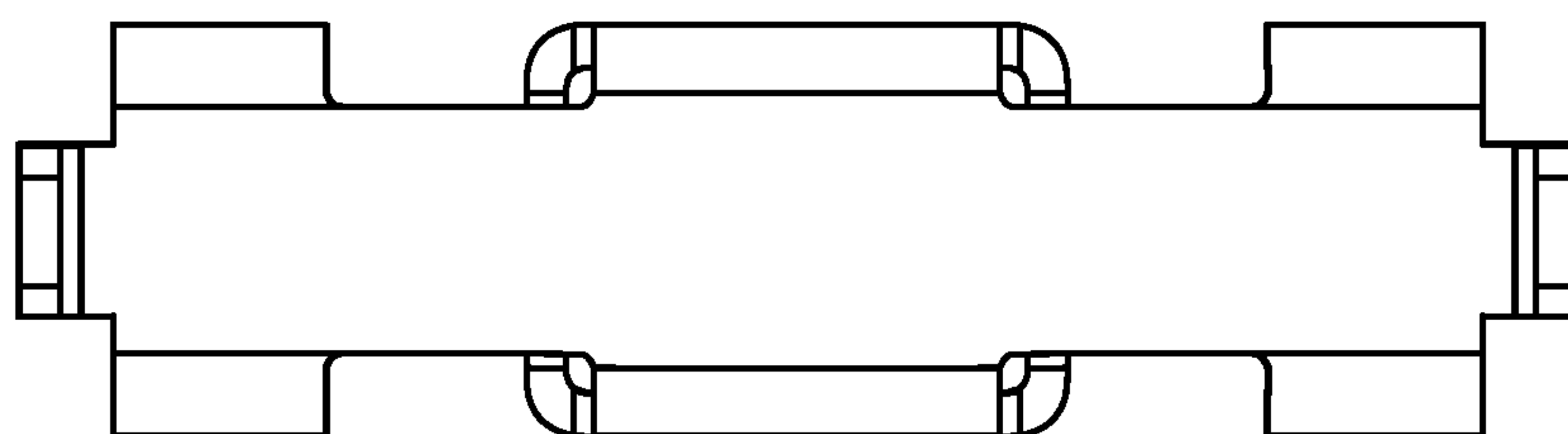


FIG. 3

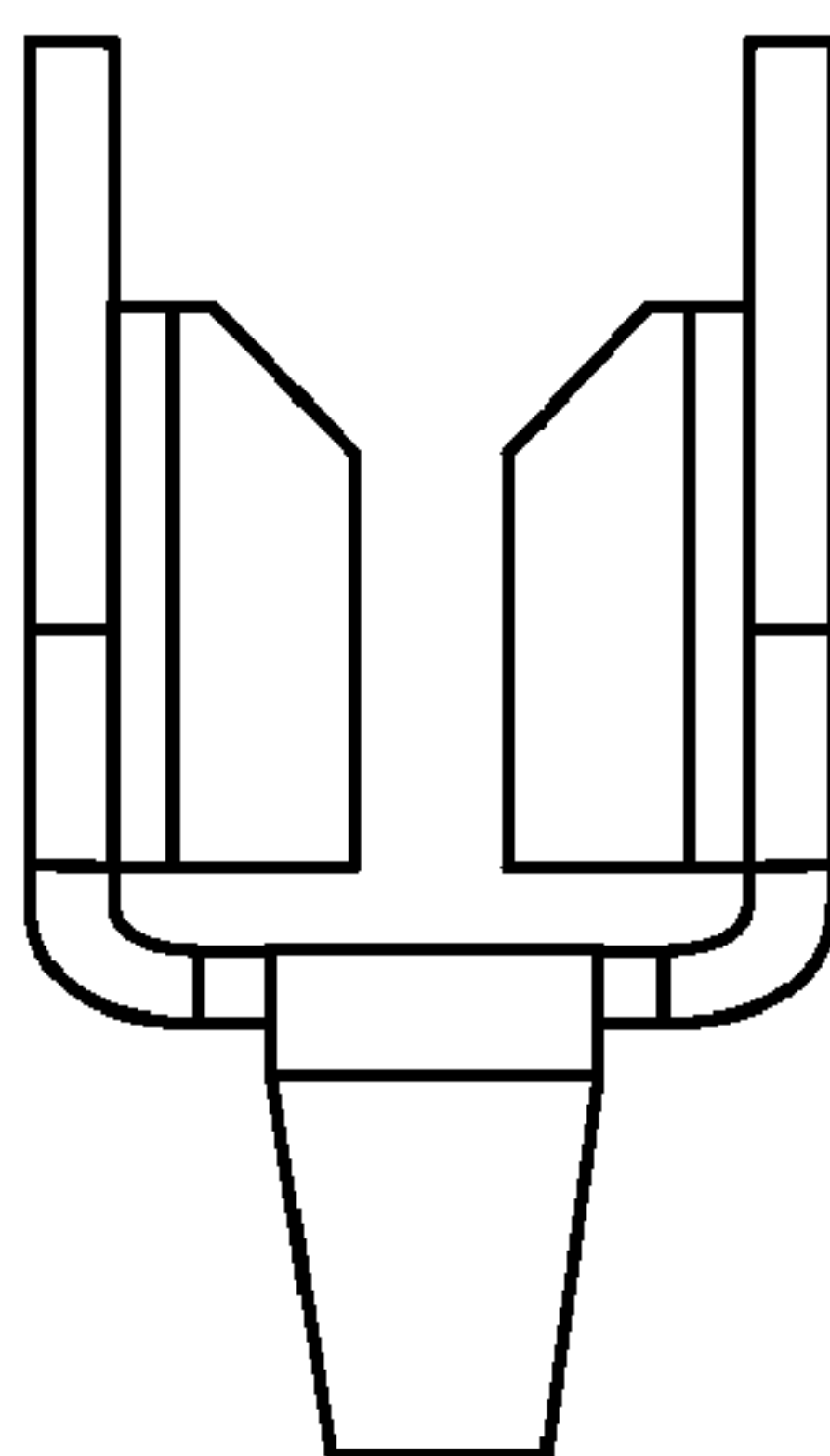


FIG. 4

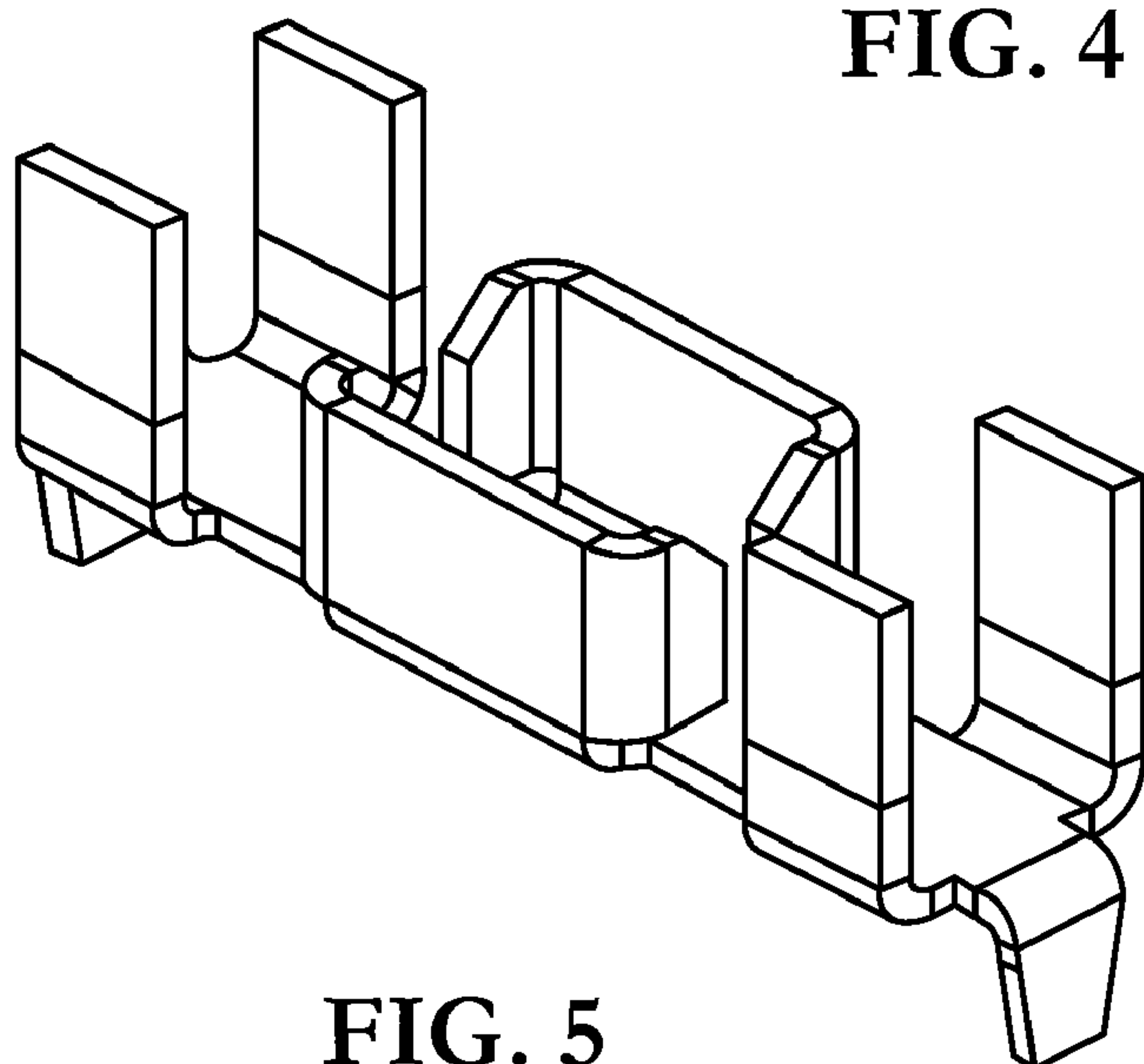


FIG. 5

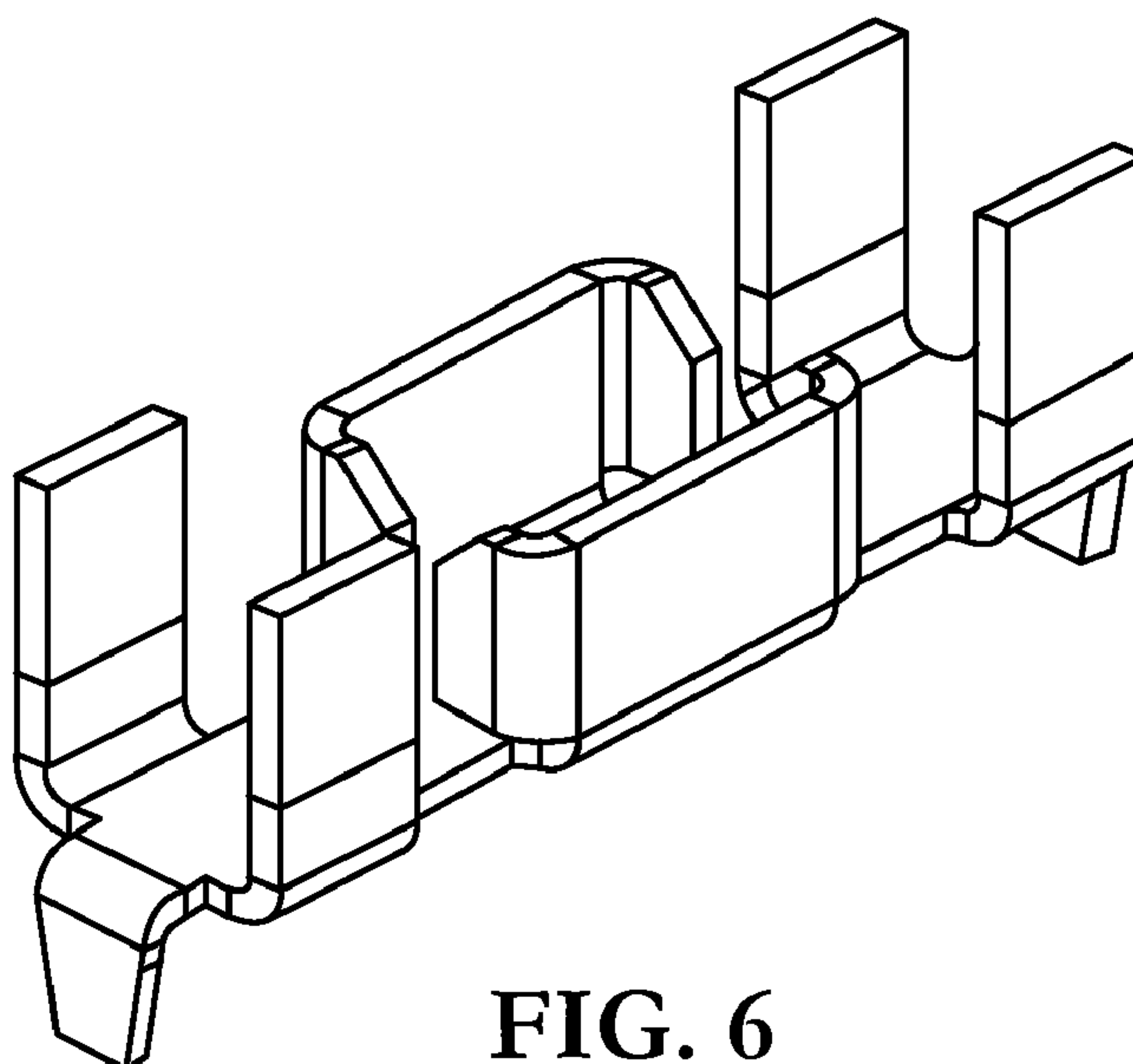


FIG. 6