



US00D645407S

(12) **United States Design Patent**
Chartrand et al.

(10) **Patent No.:** **US D645,407 S**

(45) **Date of Patent:** **** Sep. 20, 2011**

(54) **PORTION OF ELECTRICAL CONNECTOR**

(75) Inventors: **Mathieu Chartrand**, Léry (CA);
Frédéric Boucher, Lemoyne (CA);
Christopher Warnock, Beaconsfield
(CA); **Carlos Carpintero**, Saint-Laurent
(CA)

(73) Assignee: **Nii Northern International Inc.**,
Ontario (CA)

(**) Term: **14 Years**

(21) Appl. No.: **29/357,722**

(22) Filed: **Mar. 16, 2010**

(51) **LOC (9) Cl.** **13-03**

(52) **U.S. Cl.** **D13/154**

(58) **Field of Classification Search** D13/133,
D13/147, 154, 184, 199; 439/839, 849–850,
439/852, 862, 870, 877, 884–885, 887–891
See application file for complete search history.

(56) **References Cited**

U.S. PATENT DOCUMENTS

6,450,844	B1 *	9/2002	Mizumura et al.	439/884
D603,804	S *	11/2009	Urano	D13/154
7,740,511	B2 *	6/2010	Katano	439/816
D636,344	S *	4/2011	Naito	D13/154

2010/0002419	A1 *	1/2010	Naito	362/97.1
2010/0203752	A1 *	8/2010	Urano	439/265
2010/0267289	A1 *	10/2010	Urano	439/733.1

* cited by examiner

Primary Examiner — Daniel Bui

(74) *Attorney, Agent, or Firm* — McAndrews, Held & Malloy, Ltd.

(57) **CLAIM**

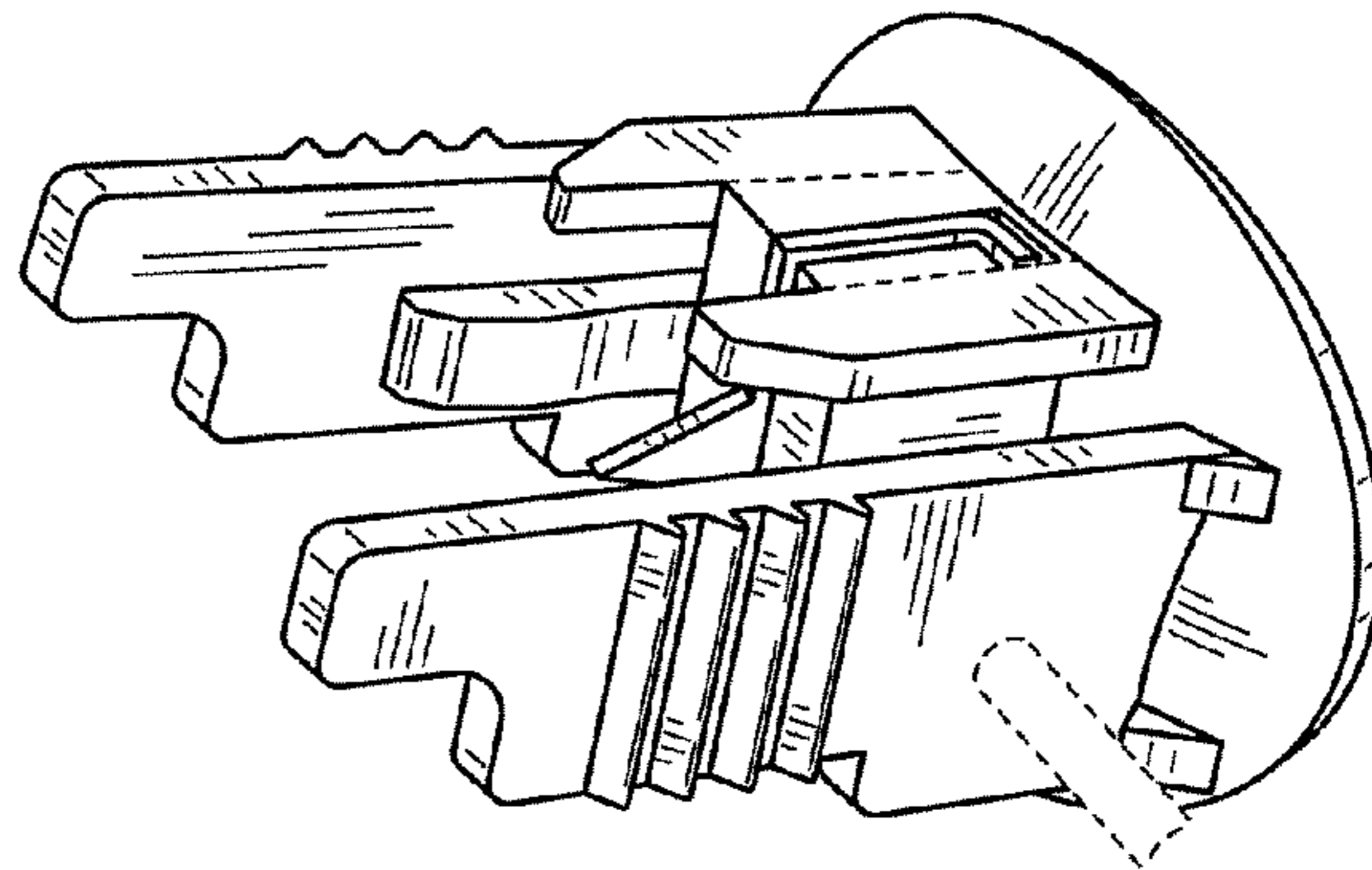
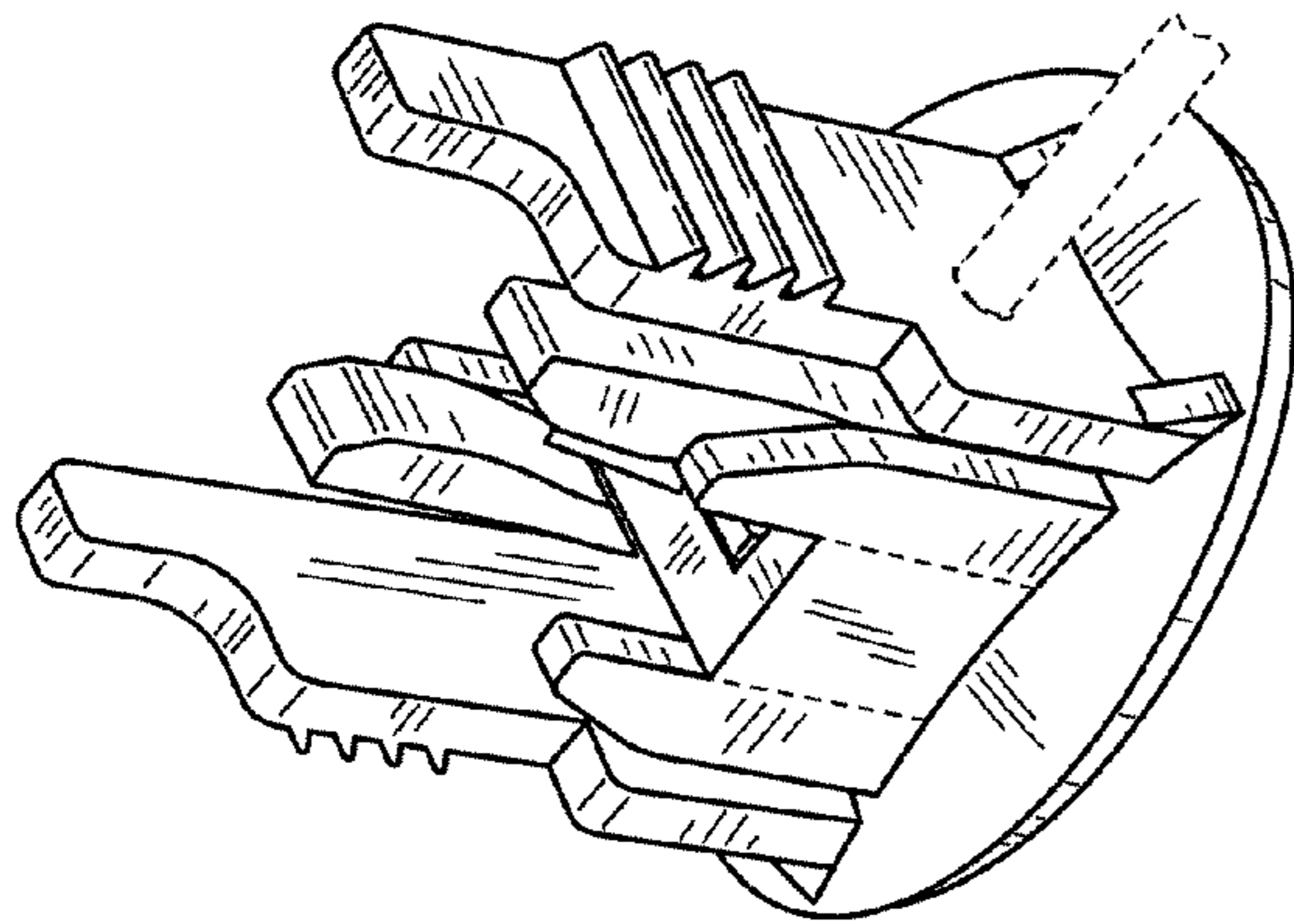
The ornamental design for a portion of electrical connector, as shown and described.

DESCRIPTION

FIG. 1 is a front perspective view of our new design for a portion of electrical connector;
FIG. 2 is another front perspective view thereof;
FIG. 3 is a front elevation view thereof;
FIG. 4 is a back elevation view thereof;
FIG. 5 is a right-side elevation view thereof;
FIG. 6 is a left-side elevation view thereof;
FIG. 7 is top plan view thereof;
FIG. 8 is a bottom plan view thereof; and,
FIG. 9 is a back perspective view thereof.

The broken lines in the drawings are included for the purpose of illustrating environmental subject matter and form no part of the claimed design.

1 Claim, 2 Drawing Sheets



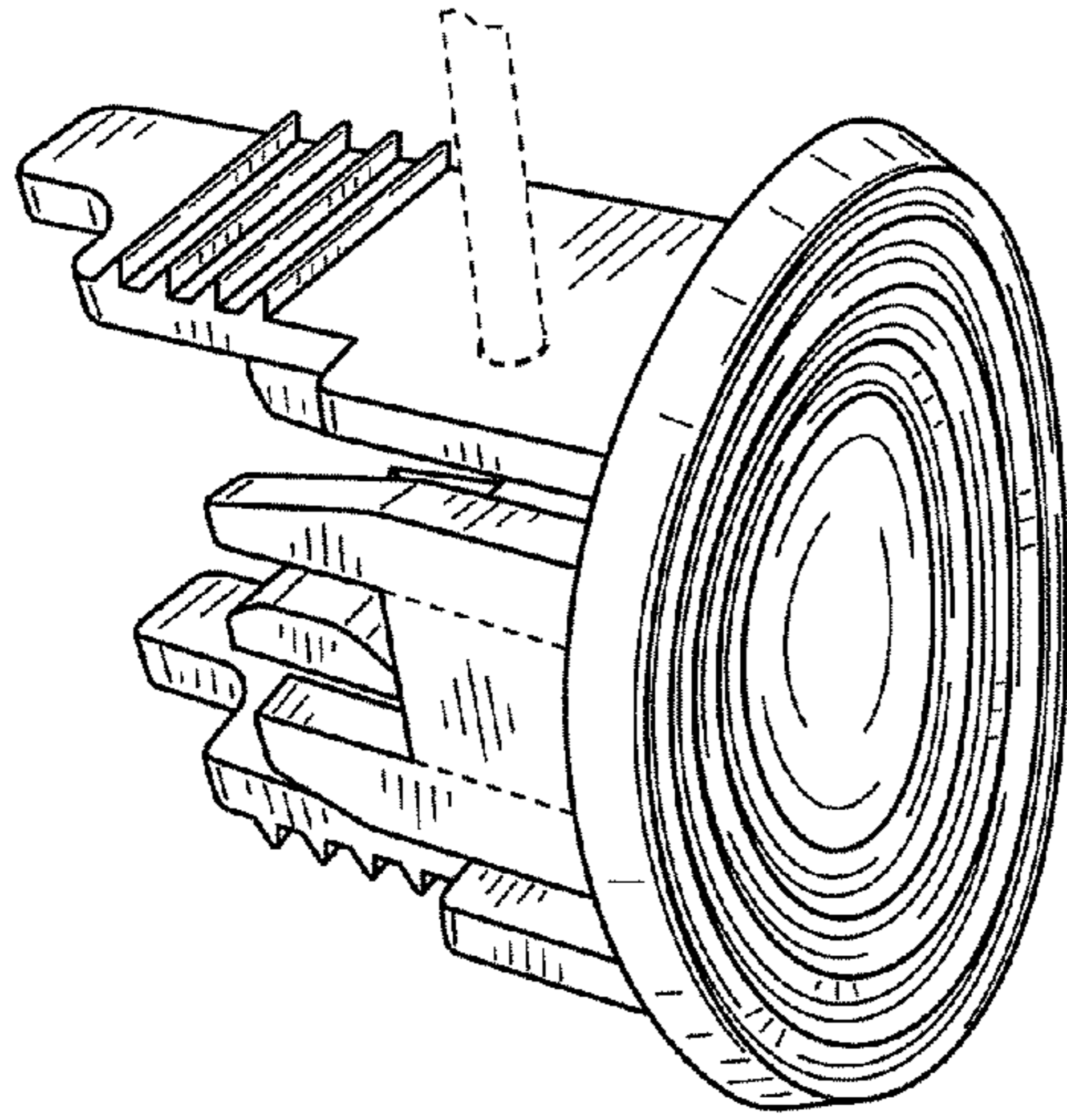


FIG. 1

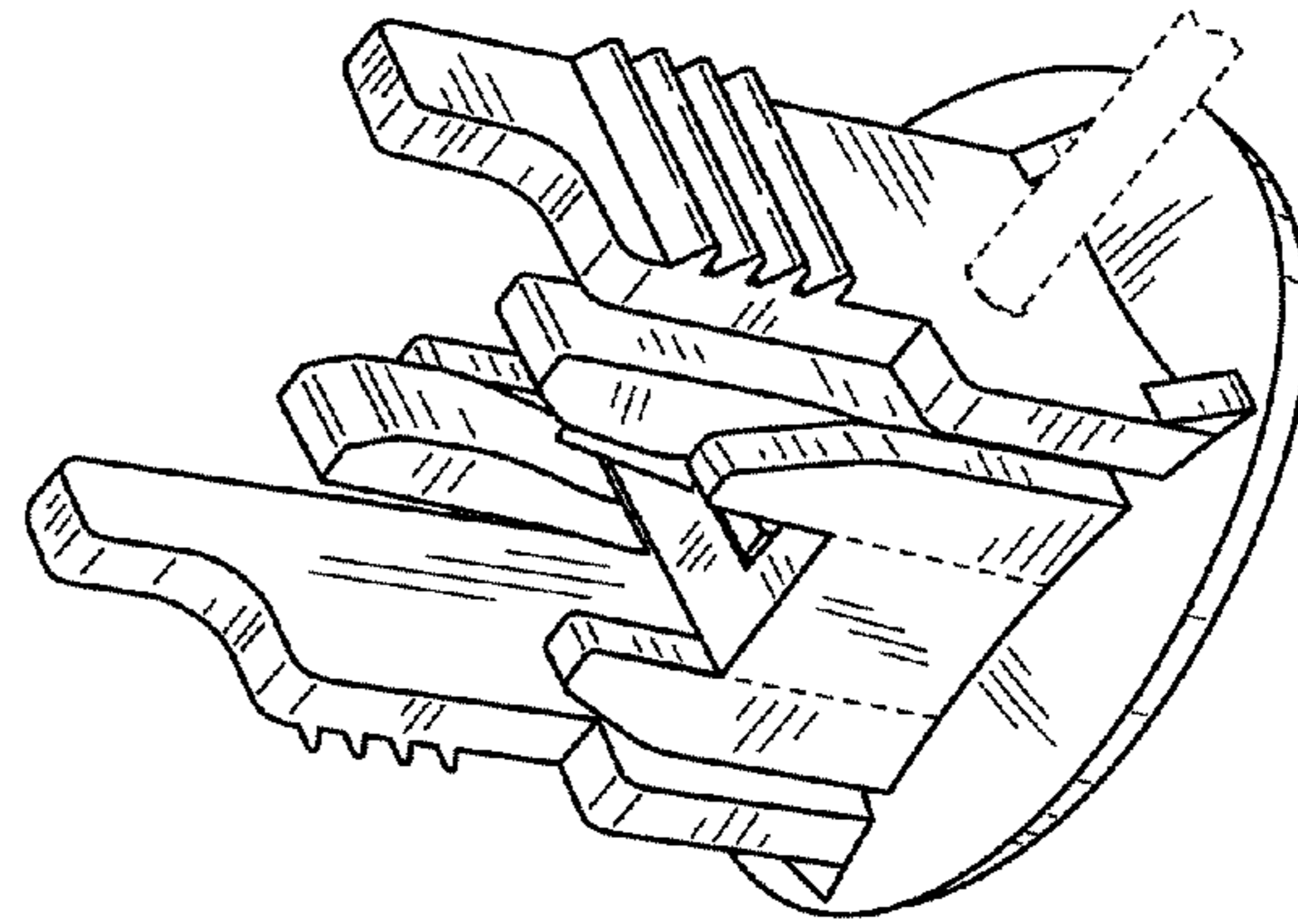


FIG. 2

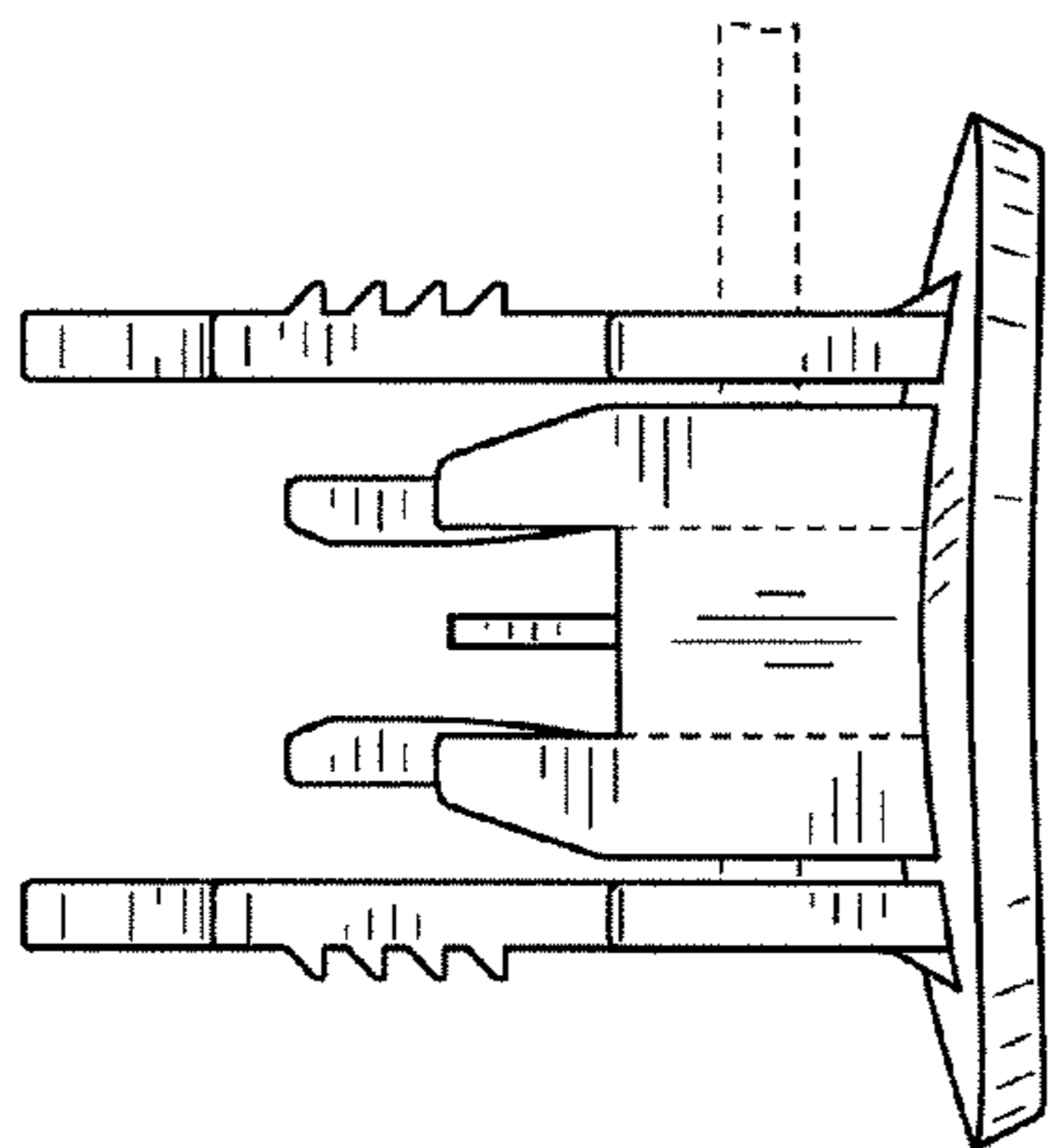


FIG. 3

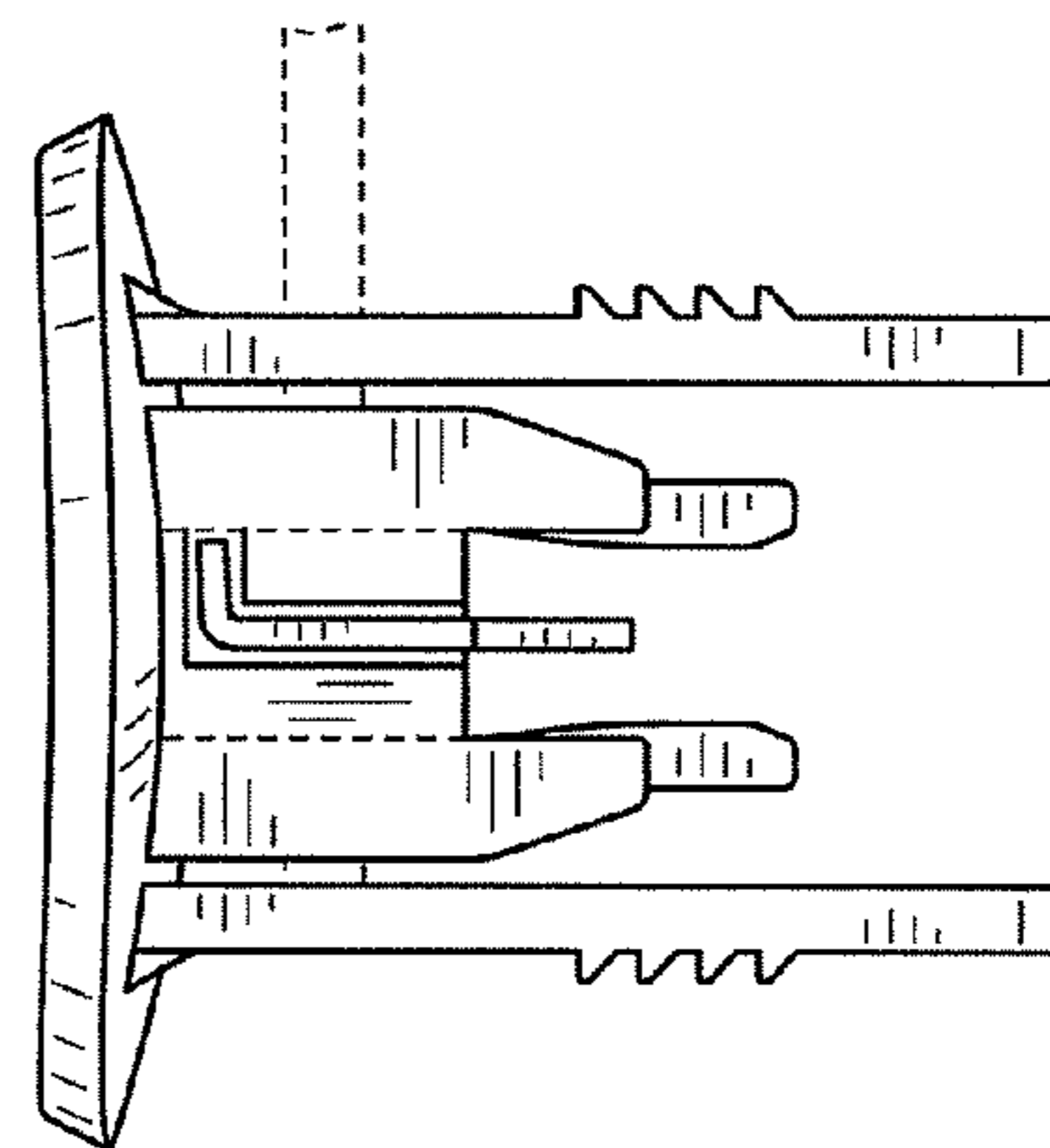


FIG. 4

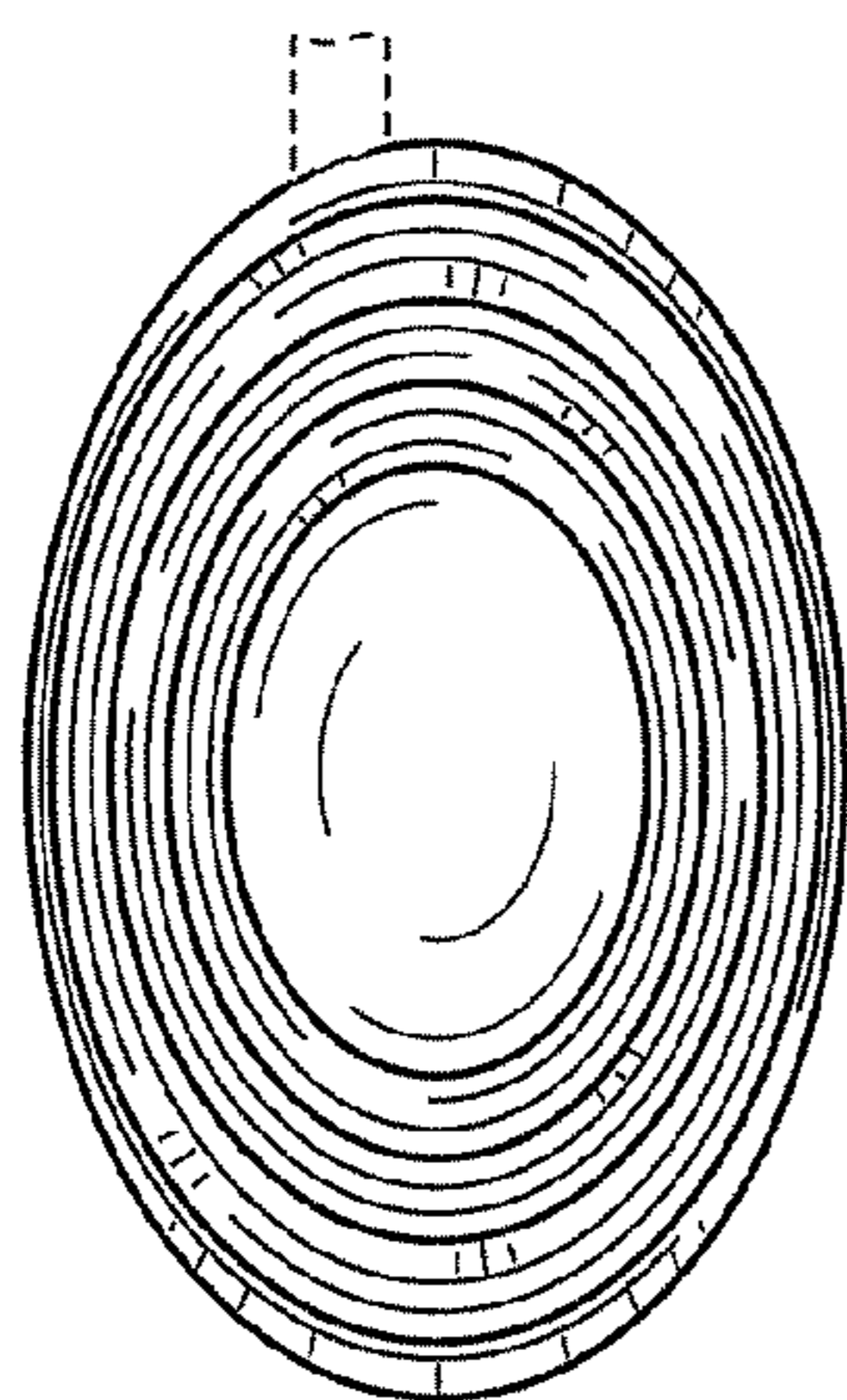


FIG. 5

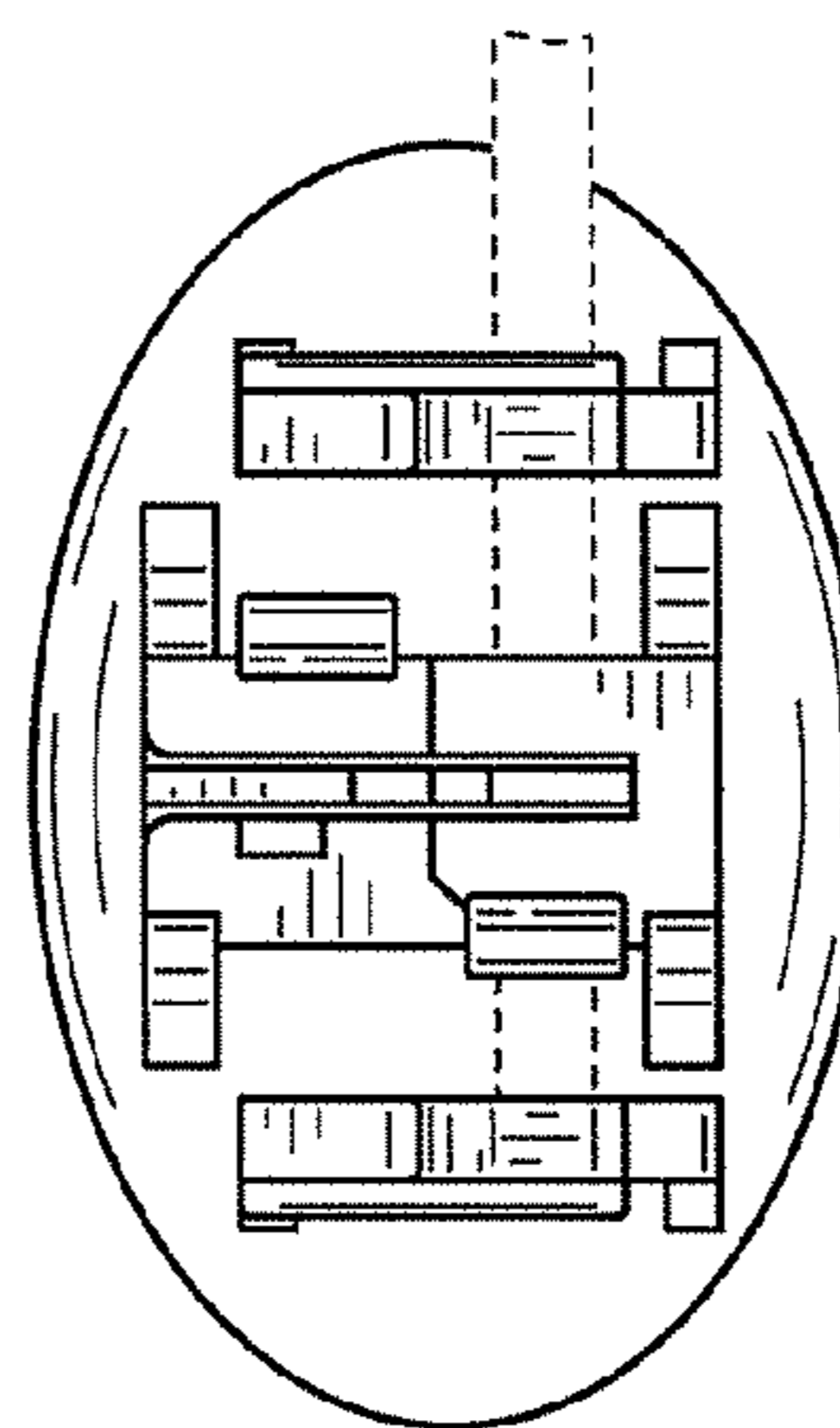


FIG. 6

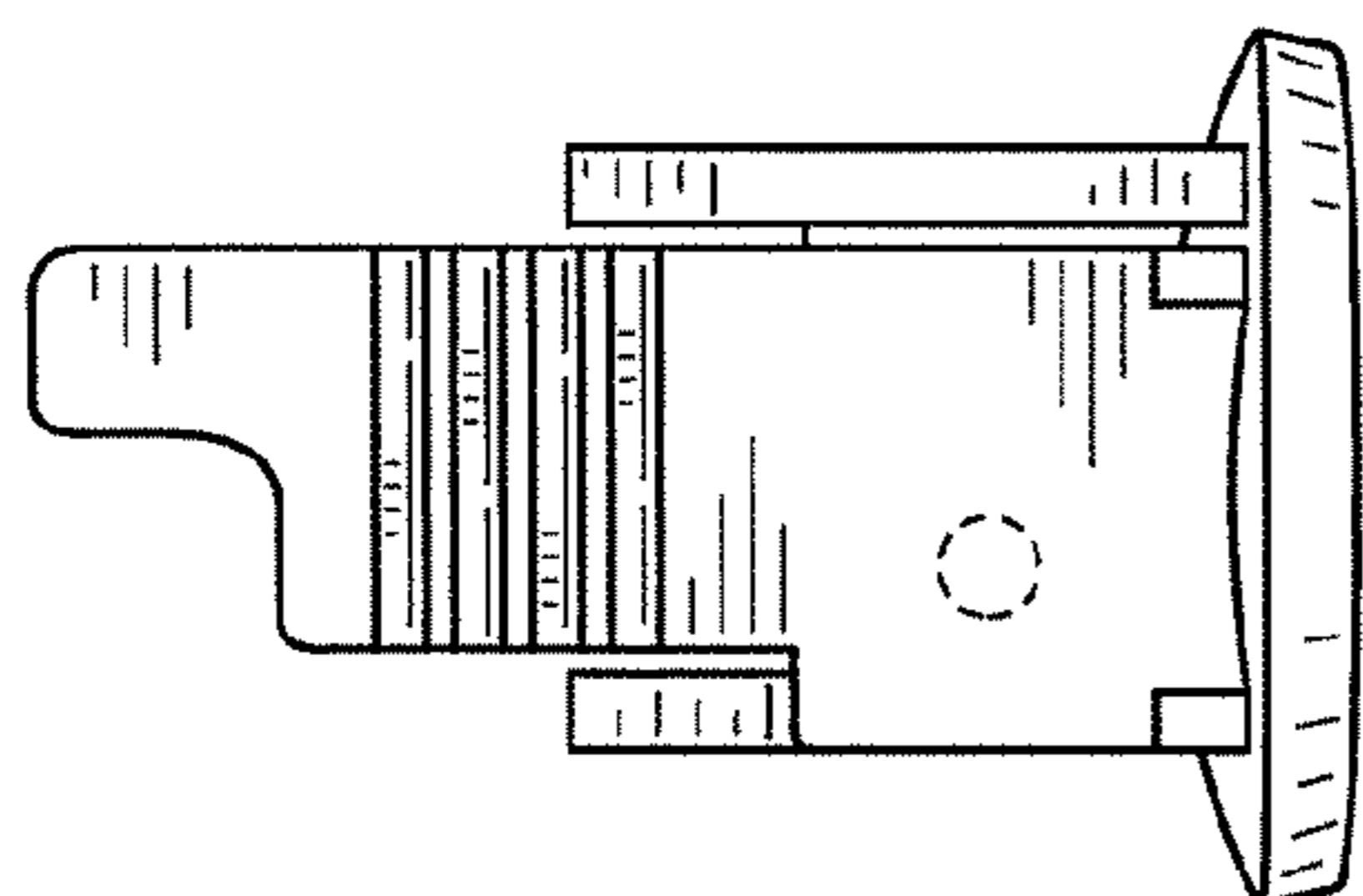


FIG. 7

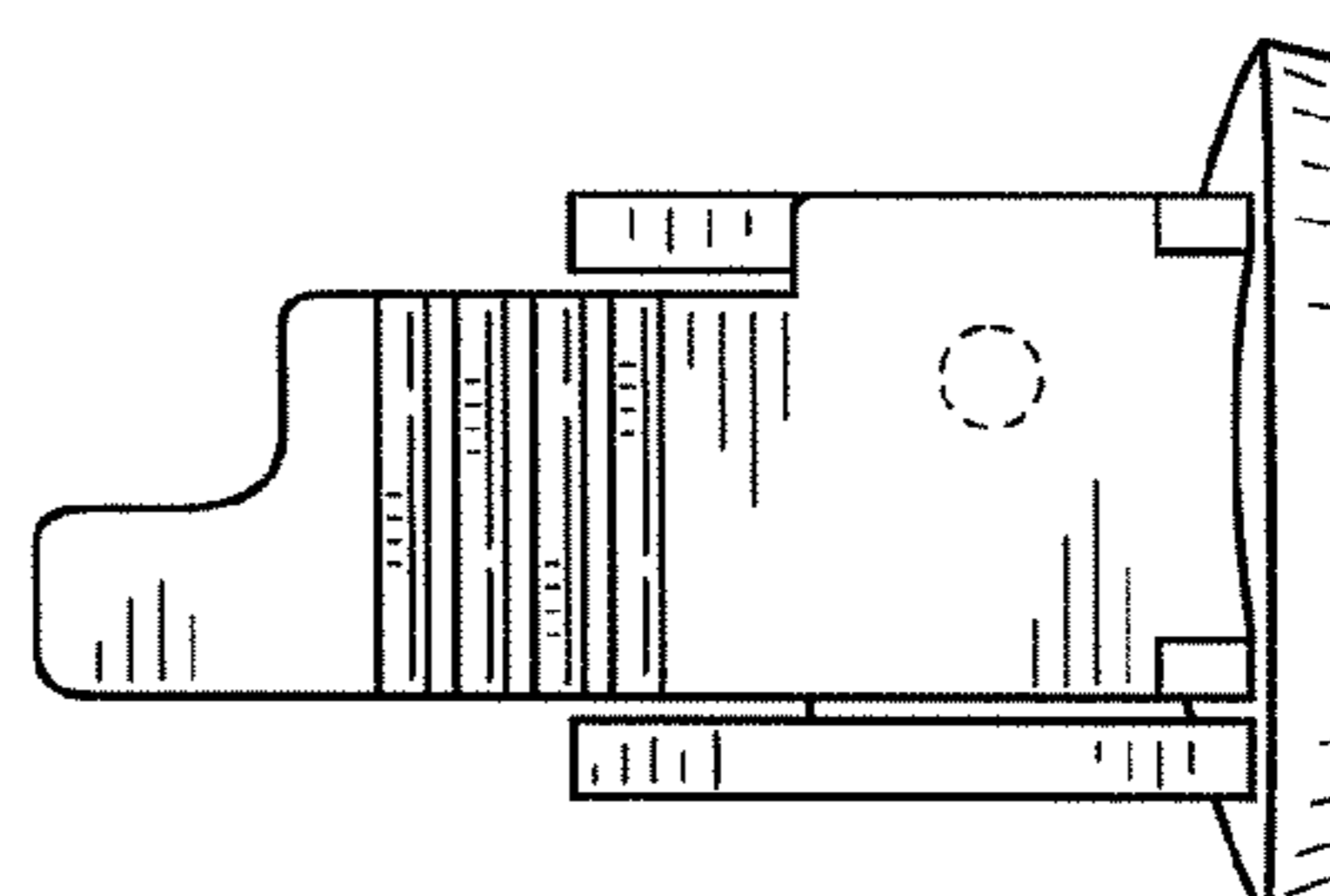


FIG. 8

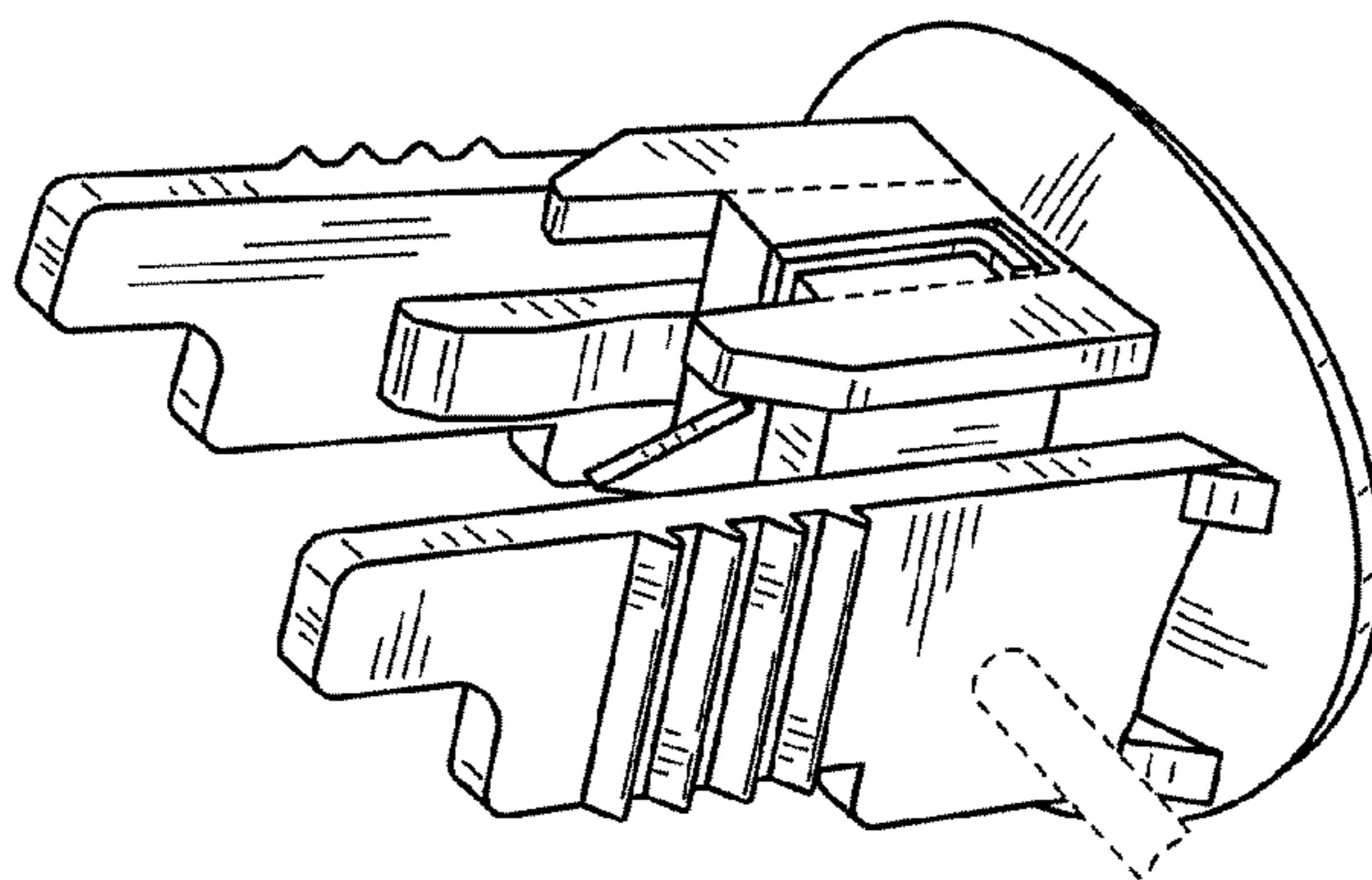


FIG. 9