



US00D645406S

(12) **United States Design Patent**  
**Chartrand et al.**

(10) **Patent No.:** **US D645,406 S**

(45) **Date of Patent:** **\*\* Sep. 20, 2011**

(54) **PORTION OF ELECTRICAL CONNECTOR**

(75) Inventors: **Mathieu Chartrand**, Léry (CA);  
**Frédéric Boucher**, Lemoyne (CA);  
**Christopher Warnock**, Beaconsfield  
(CA); **Carlos Carpintero**, Saint-Laurent  
(CA)

(73) Assignee: **Nii Northern International Inc.**,  
Ontario (CA)

(\*\*) Term: **14 Years**

(21) Appl. No.: **29/357,721**

(22) Filed: **Mar. 16, 2010**

(51) **LOC (9) Cl.** ..... **13-03**

(52) **U.S. Cl.** ..... **D13/154**

(58) **Field of Classification Search** ..... D13/133,  
D13/147, 154, 184, 199; 439/839, 849–850,  
439/852, 862, 870, 877, 884–885, 887–891  
See application file for complete search history.

(56) **References Cited**

U.S. PATENT DOCUMENTS

6,450,844	B1 *	9/2002	Mizumura et al.	.....	439/884
D603,804	S *	11/2009	Urano	.....	D13/154
7,740,511	B2 *	6/2010	Katano	.....	439/816
D636,344	S *	4/2011	Naito	.....	D13/154

2010/0002419	A1 *	1/2010	Naito	.....	362/97.1
2010/0203752	A1 *	8/2010	Urano	.....	439/265
2010/0267289	A1 *	10/2010	Urano	.....	439/733.1

\* cited by examiner

*Primary Examiner* — Daniel Bui

(74) *Attorney, Agent, or Firm* — McAndrews, Held & Malloy, Ltd.

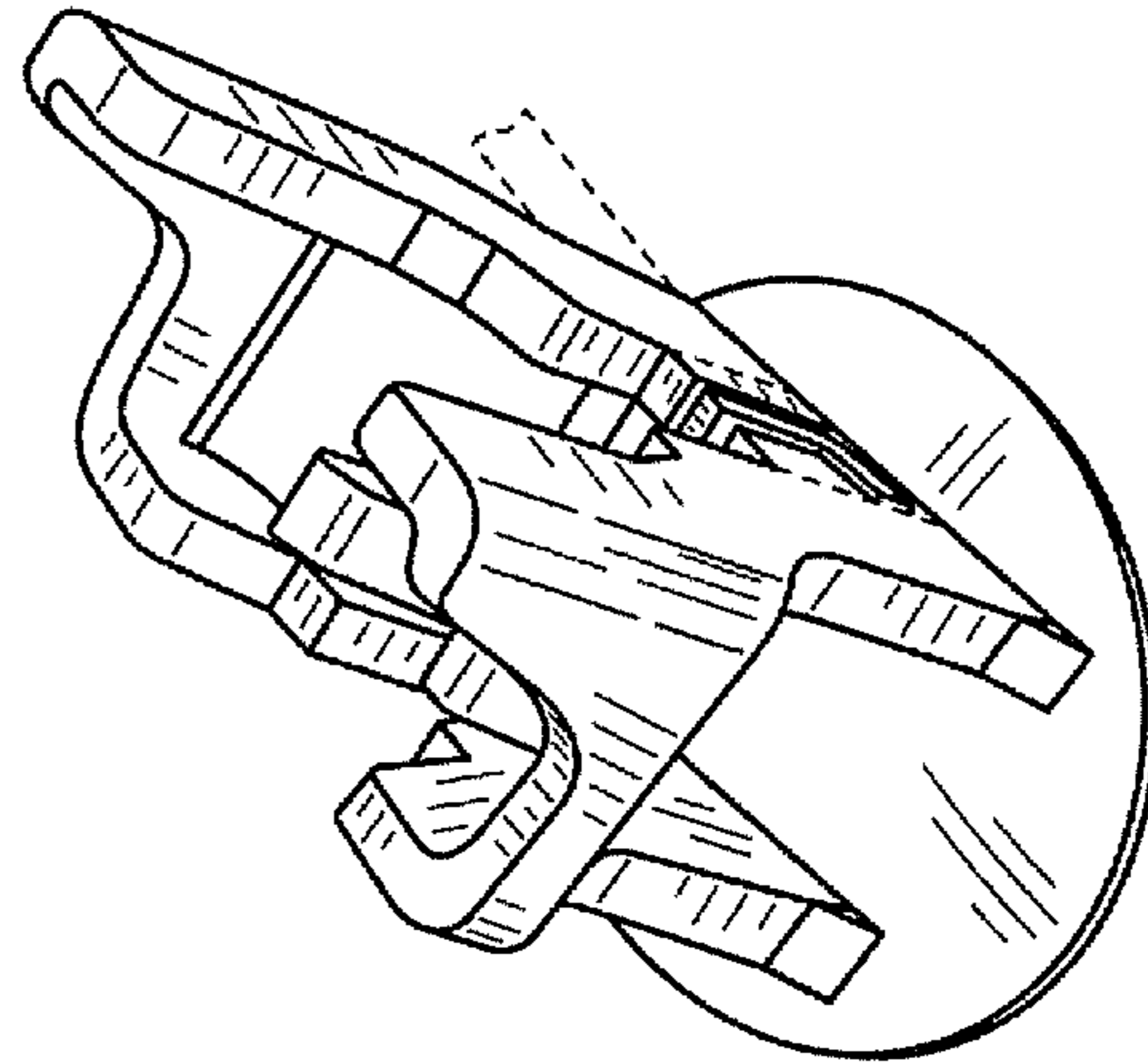
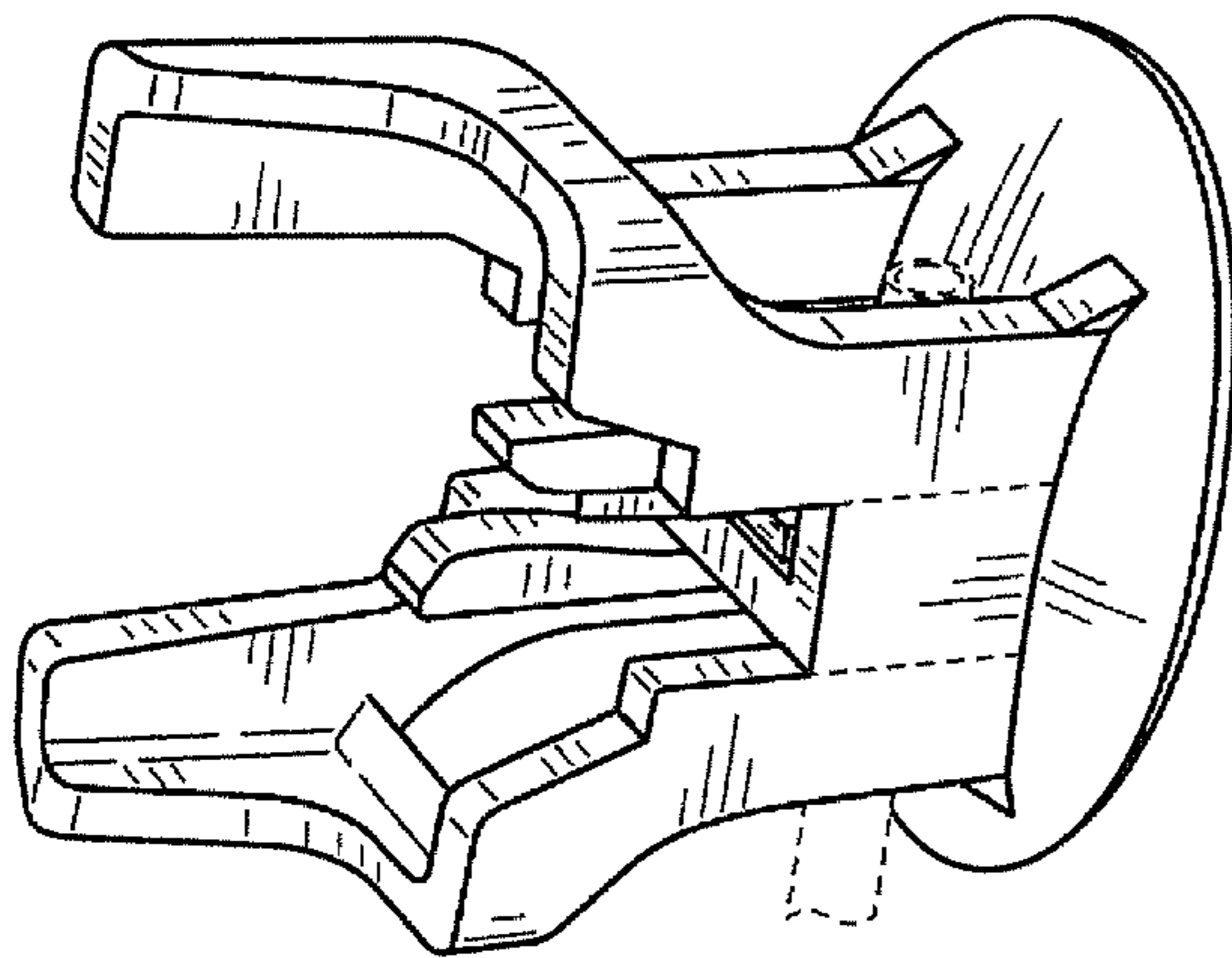
(57) **CLAIM**

The ornamental design for a portion of electrical connector, as shown and described.

**DESCRIPTION**

FIG. 1 is a front perspective view of our new design for a portion of electrical connector;  
FIG. 2 is another front perspective view thereof;  
FIG. 3 is a front elevation view thereof;  
FIG. 4 is a back elevation view thereof;  
FIG. 5 is a right-side elevation view thereof;  
FIG. 6 is a left-side elevation view thereof;  
FIG. 7 is top plan view thereof;  
FIG. 8 is a bottom plan view thereof; and,  
FIG. 9 is a back perspective view thereof.  
The broken lines in the drawings are included for the purpose of illustrating environmental subject matter and form no part of the claimed design.

**1 Claim, 2 Drawing Sheets**



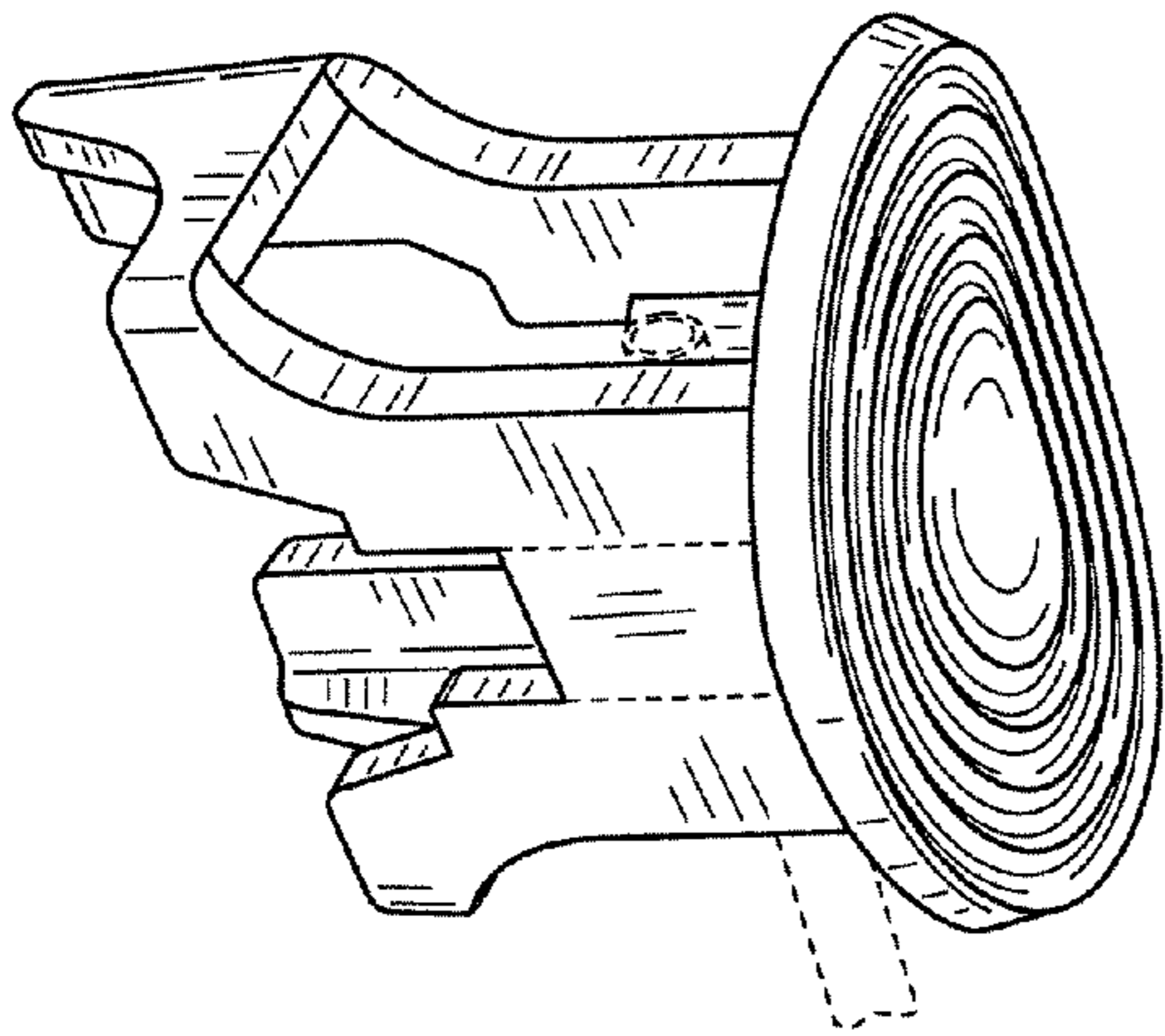


FIG. 1

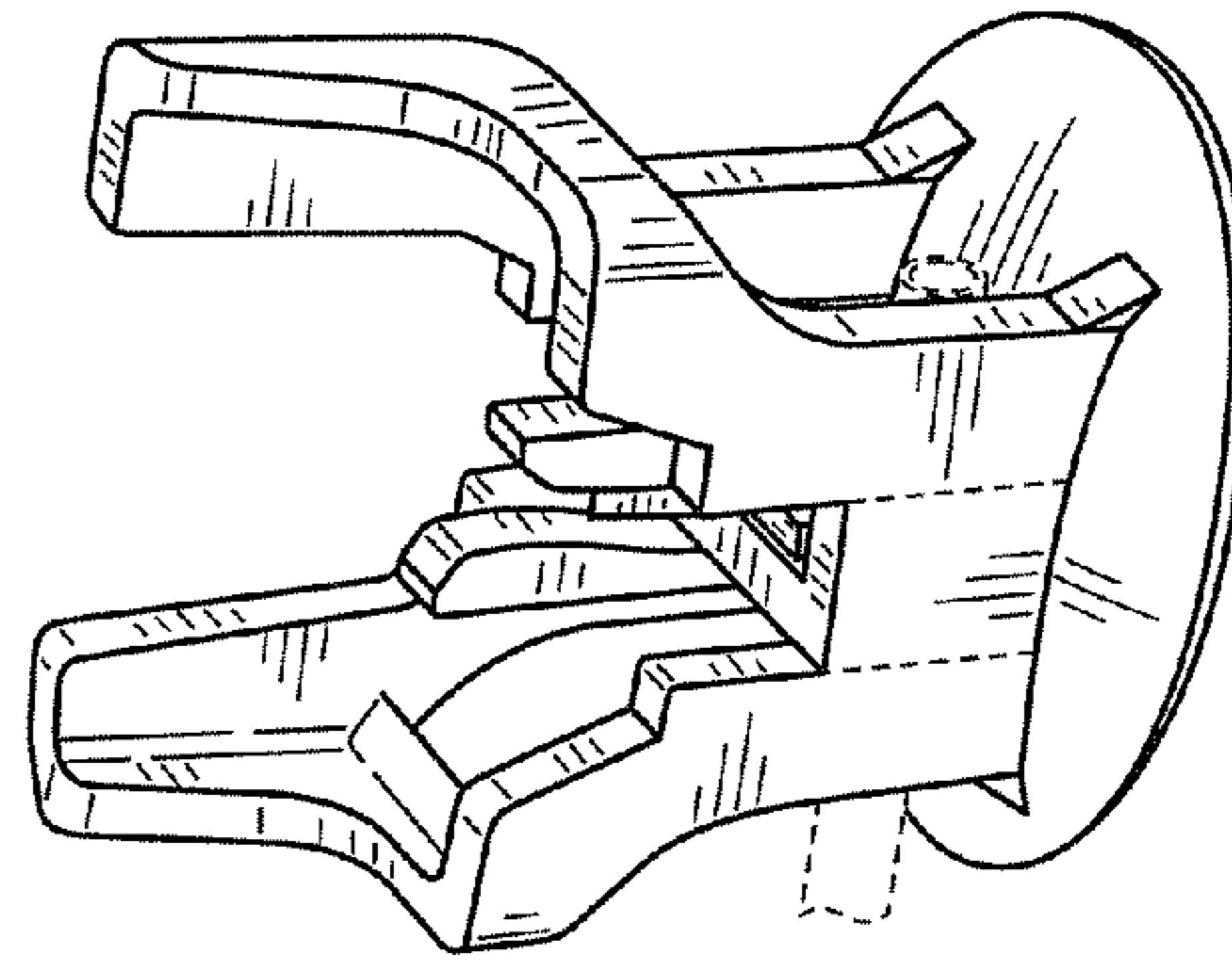


FIG. 2

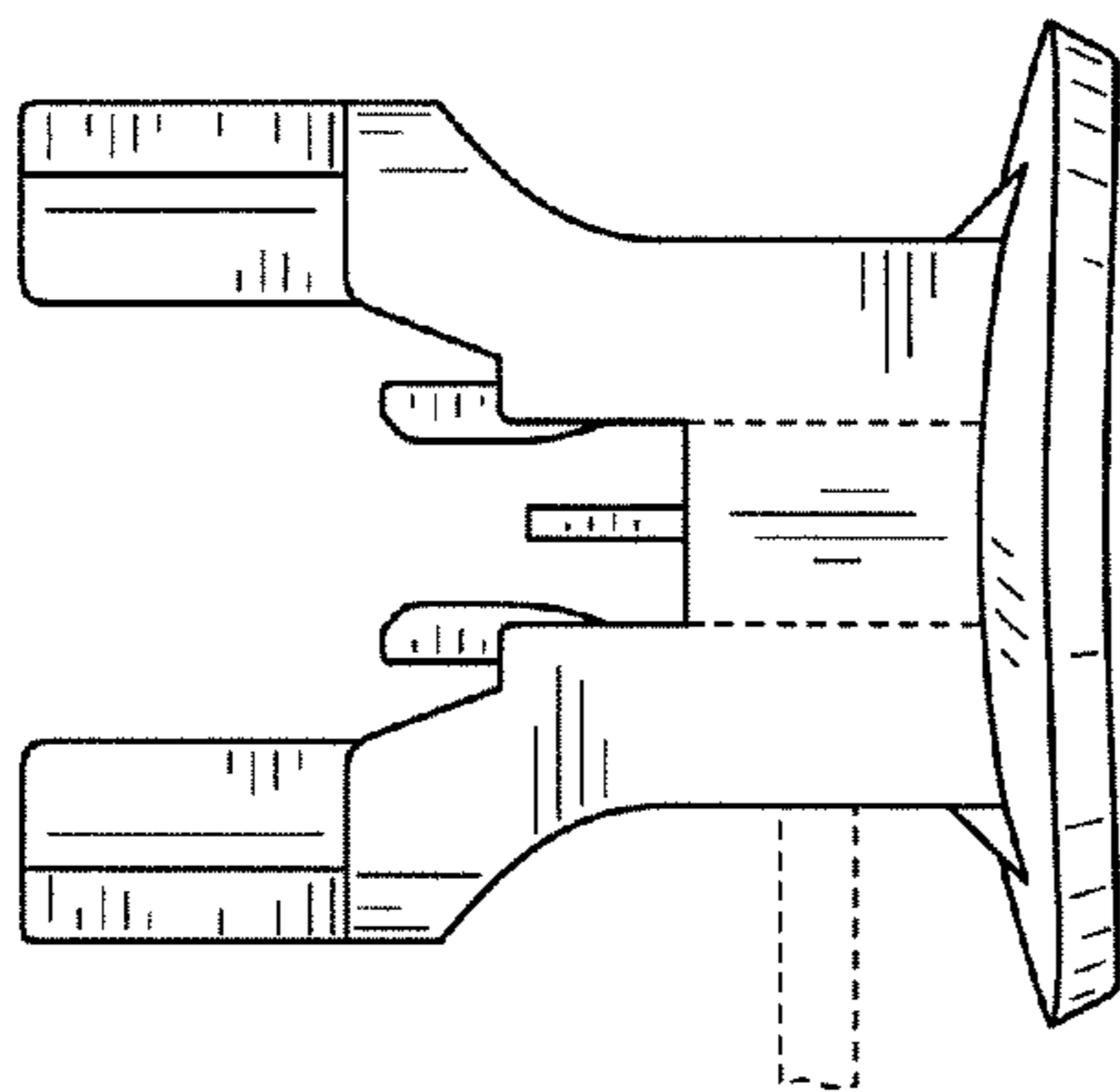


FIG. 3

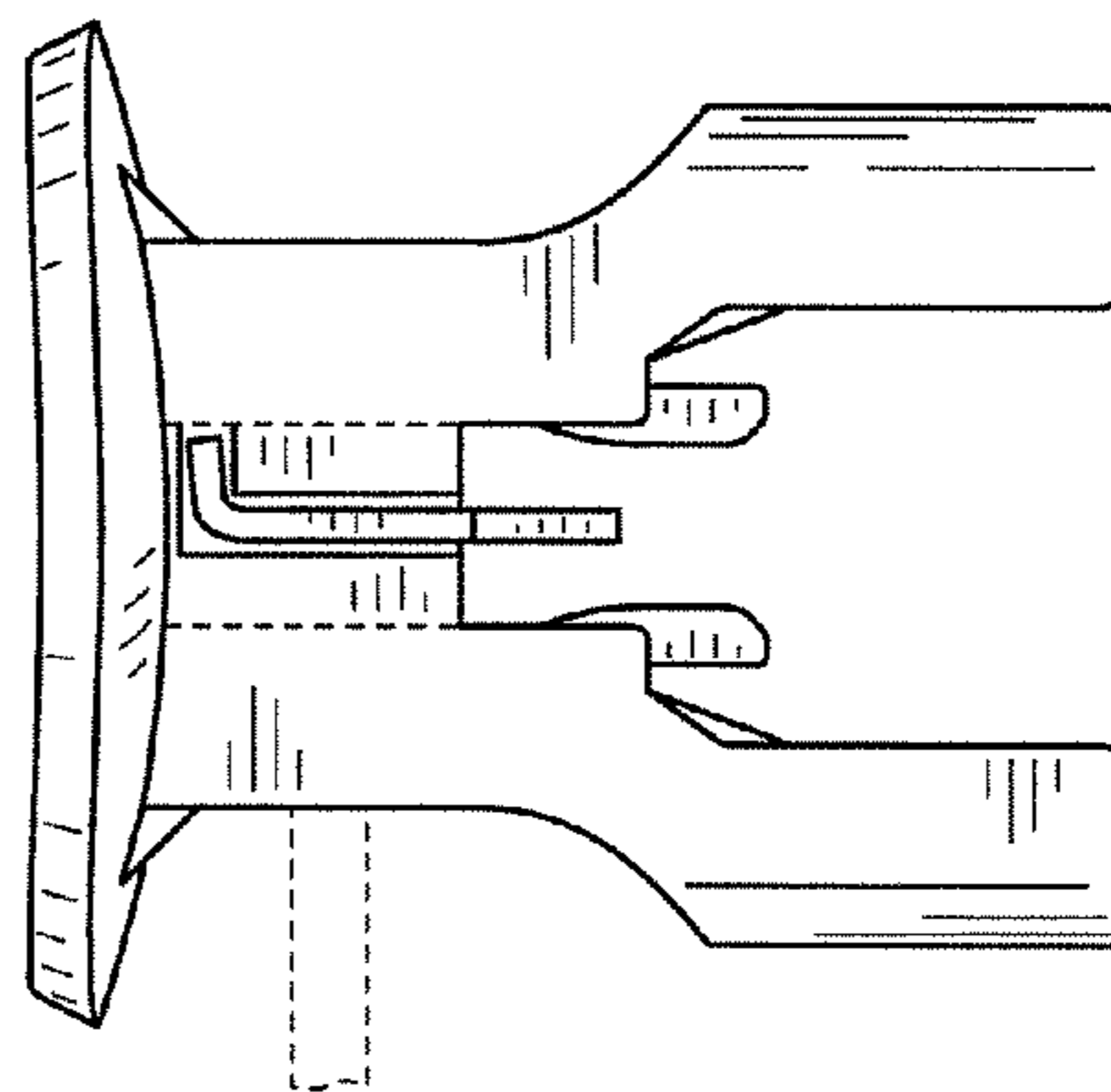


FIG. 4

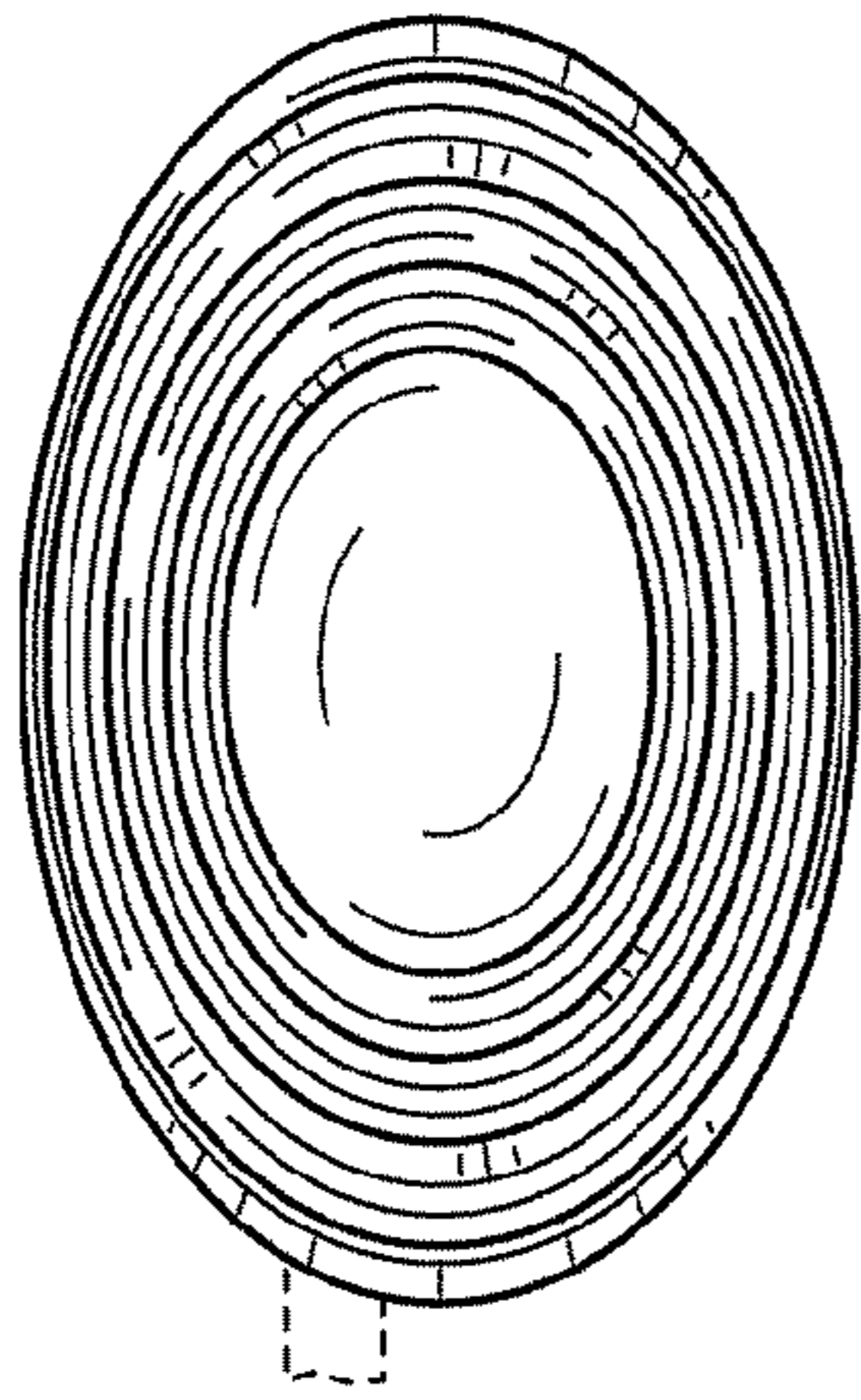


FIG. 5

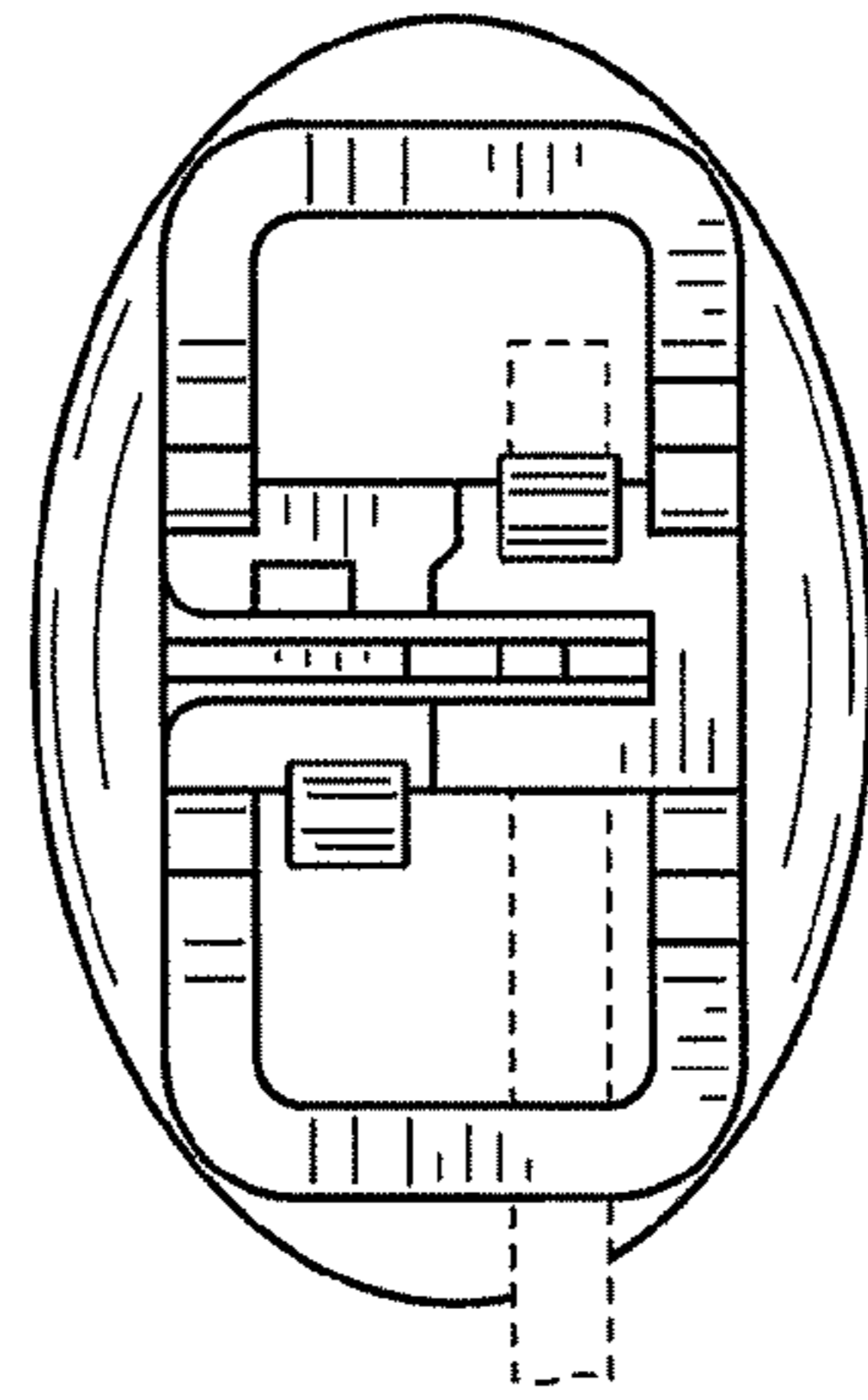


FIG. 6

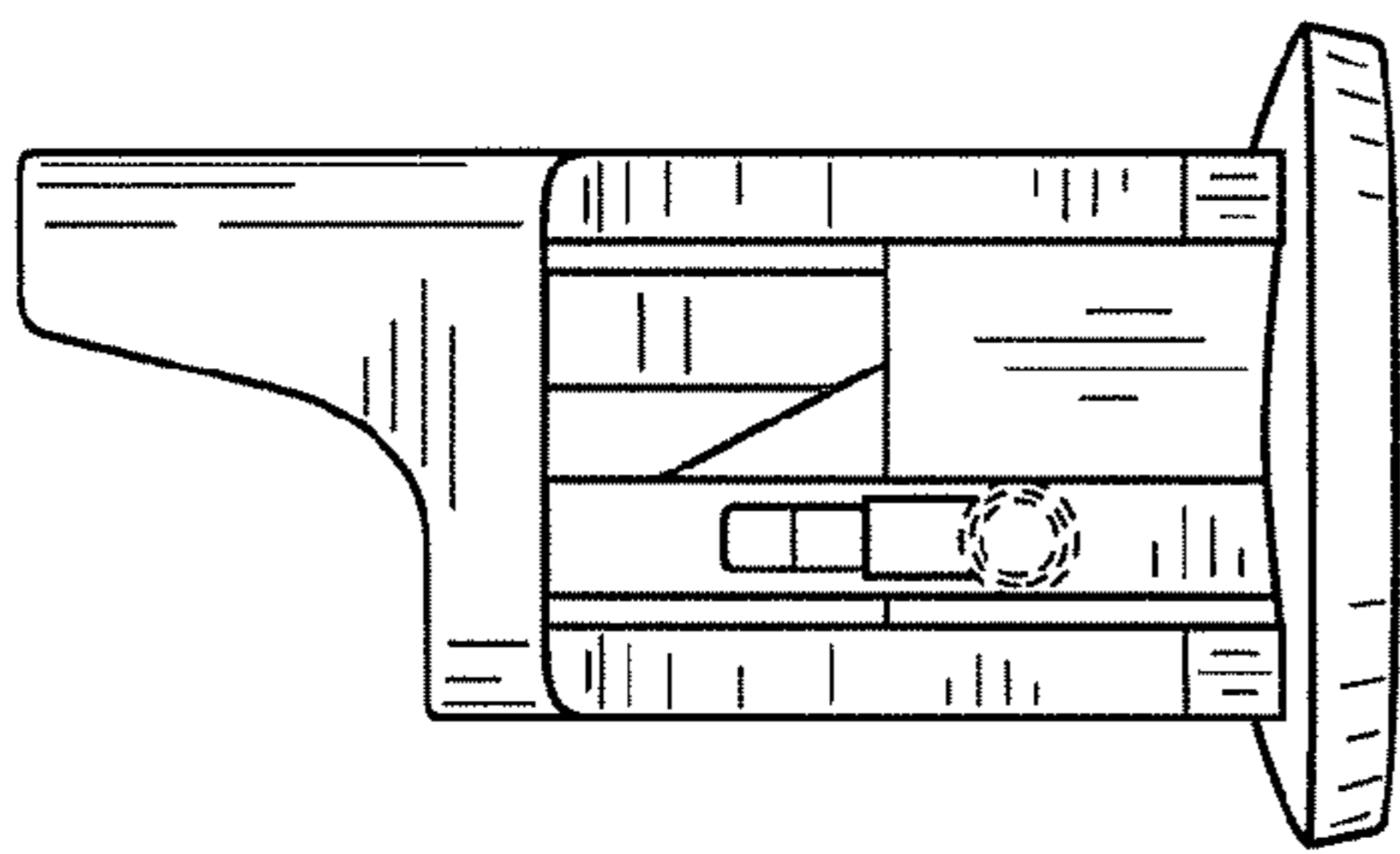


FIG. 7

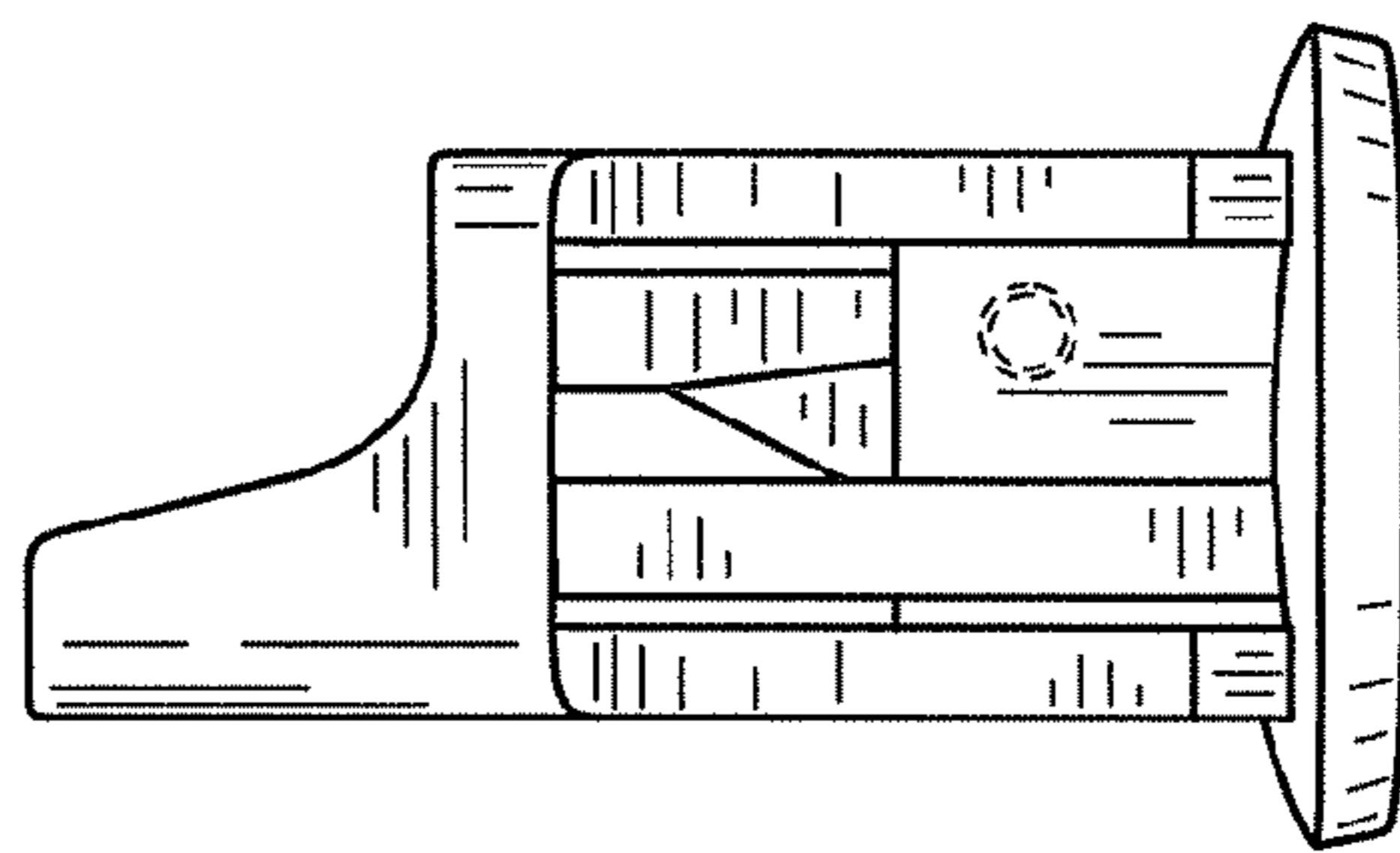


FIG. 8

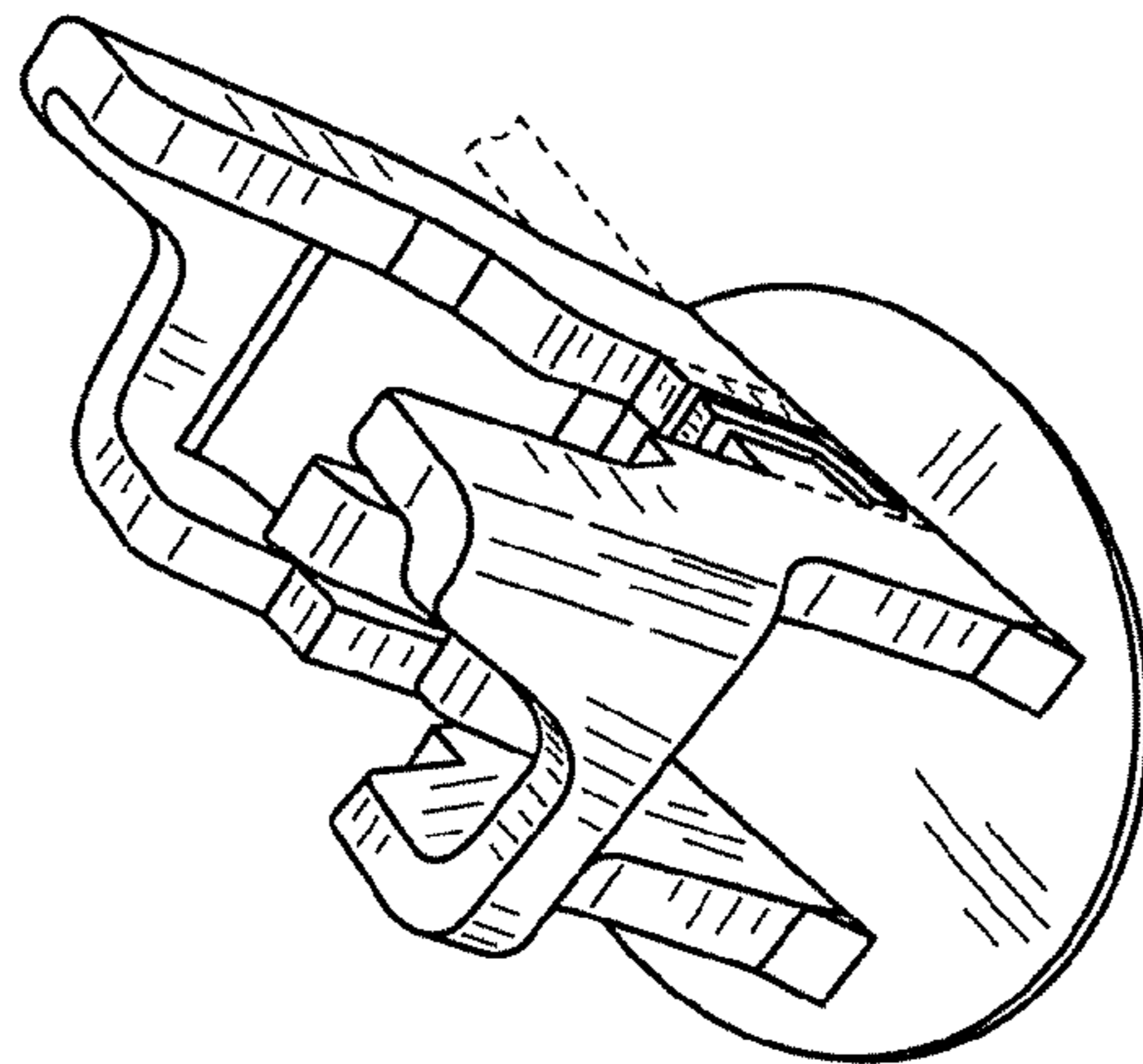


FIG. 9