



US00D645405S

(12) **United States Design Patent**
Huss, Jr. et al.

(10) **Patent No.:** **US D645,405 S**

(45) **Date of Patent:** **** Sep. 20, 2011**

(54) **ELECTRICAL CONNECTOR**

(75) Inventors: **John Phillip Huss, Jr.**, Harrisburg, PA (US); **Andreas Schrader**, Delbruec (DE)

(73) Assignee: **Phoenix Contact Development and Manufacturing, Inc.**, Middletown, PA (US)

(**) Term: **14 Years**

(21) Appl. No.: **29/386,065**

(22) Filed: **Feb. 24, 2011**

Related U.S. Application Data

(62) Division of application No. 29/353,618, filed on Jan. 12, 2010, now Pat. No. Des. 640,208.

(51) **LOC (9) Cl.** **13-03**

(52) **U.S. Cl.** **D13/147**

(58) **Field of Classification Search** D13/133, D13/147, 154, 156, 184; 439/266, 345, 350, 439/352, 357, 358, 595, 660, 680, 682, 752

See application file for complete search history.

Primary Examiner — Daniel Bui

(74) *Attorney, Agent, or Firm* — Hooker & Habib, P.C.

(57) **CLAIM**

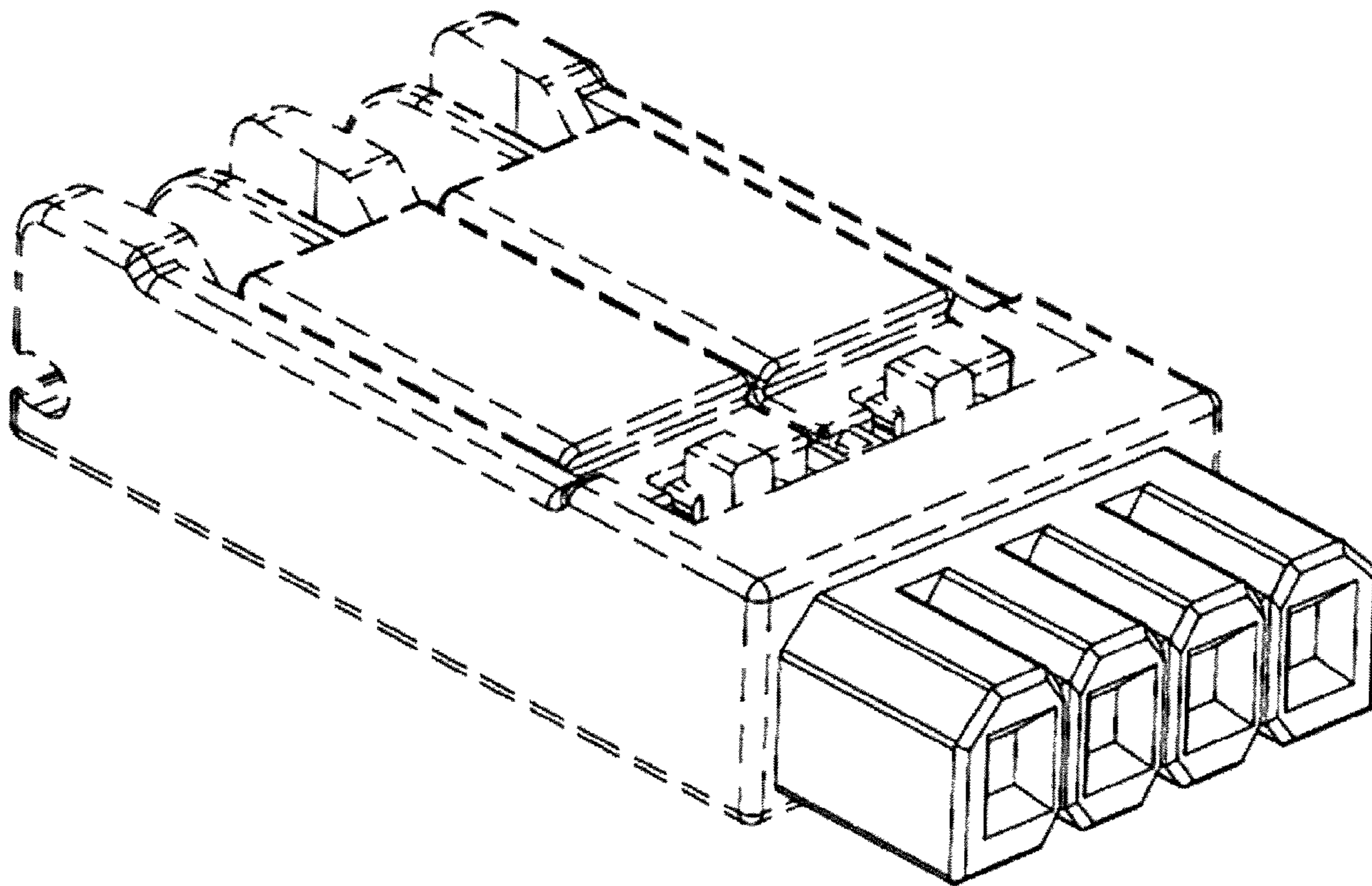
The ornamental design of an electrical connector, as shown and described.

DESCRIPTION

FIG. 1 is a top, front and right side perspective view of an electrical connector showing our new design; FIG. 2 is a top plan view thereof; FIG. 3 is a bottom plan view thereof; FIG. 4 is a right side elevation view thereof; FIG. 5 is a left side elevation view thereof; FIG. 6 is a rear elevation view thereof; and, FIG. 7 is a front elevation view thereof.

In the drawings, our design is showing in solid lines. Broken lines illustrate environment associated with the design being for illustrative purposes only and forming no part of the claimed design.

1 Claim, 7 Drawing Sheets



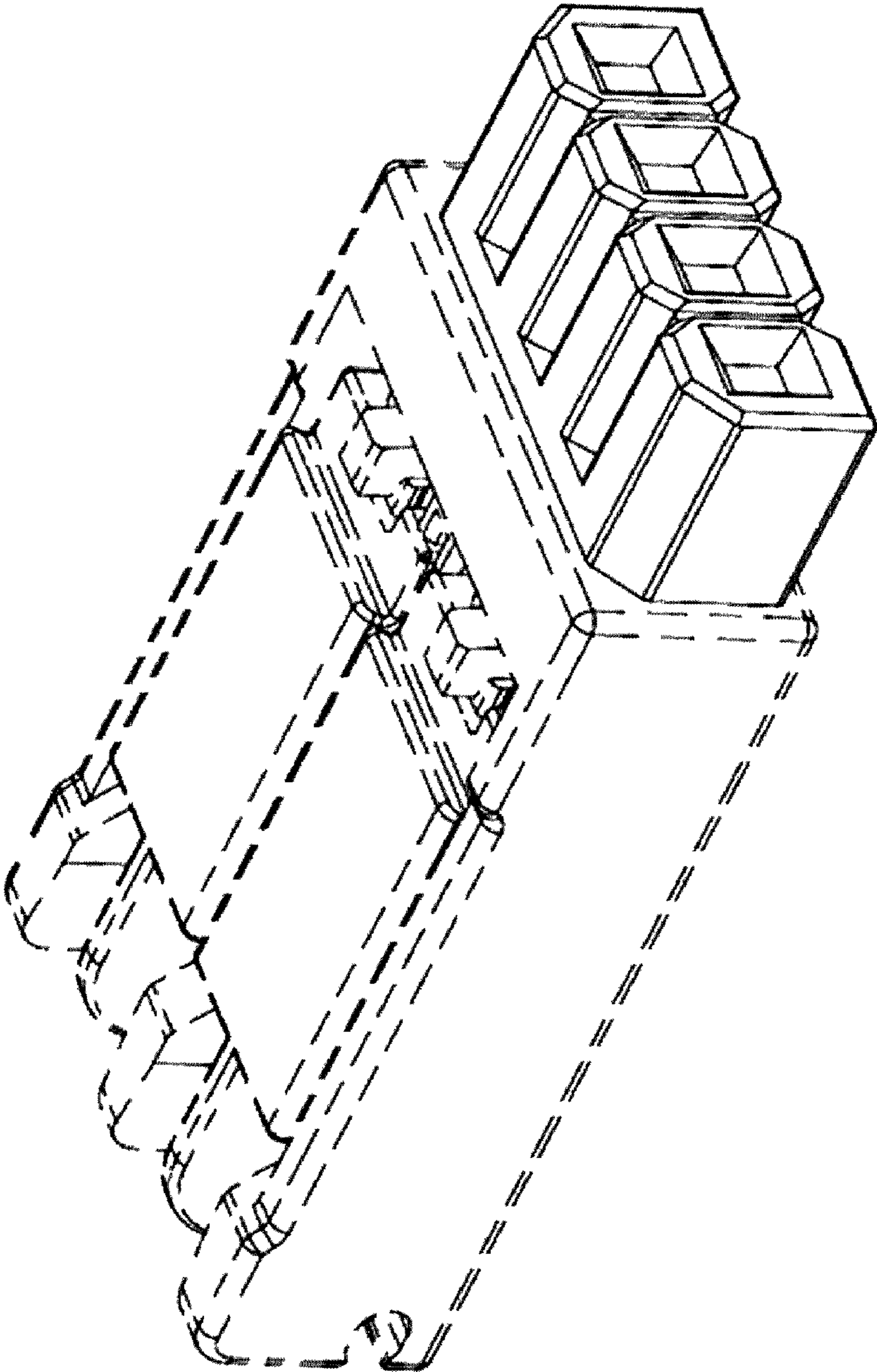


Fig. 1

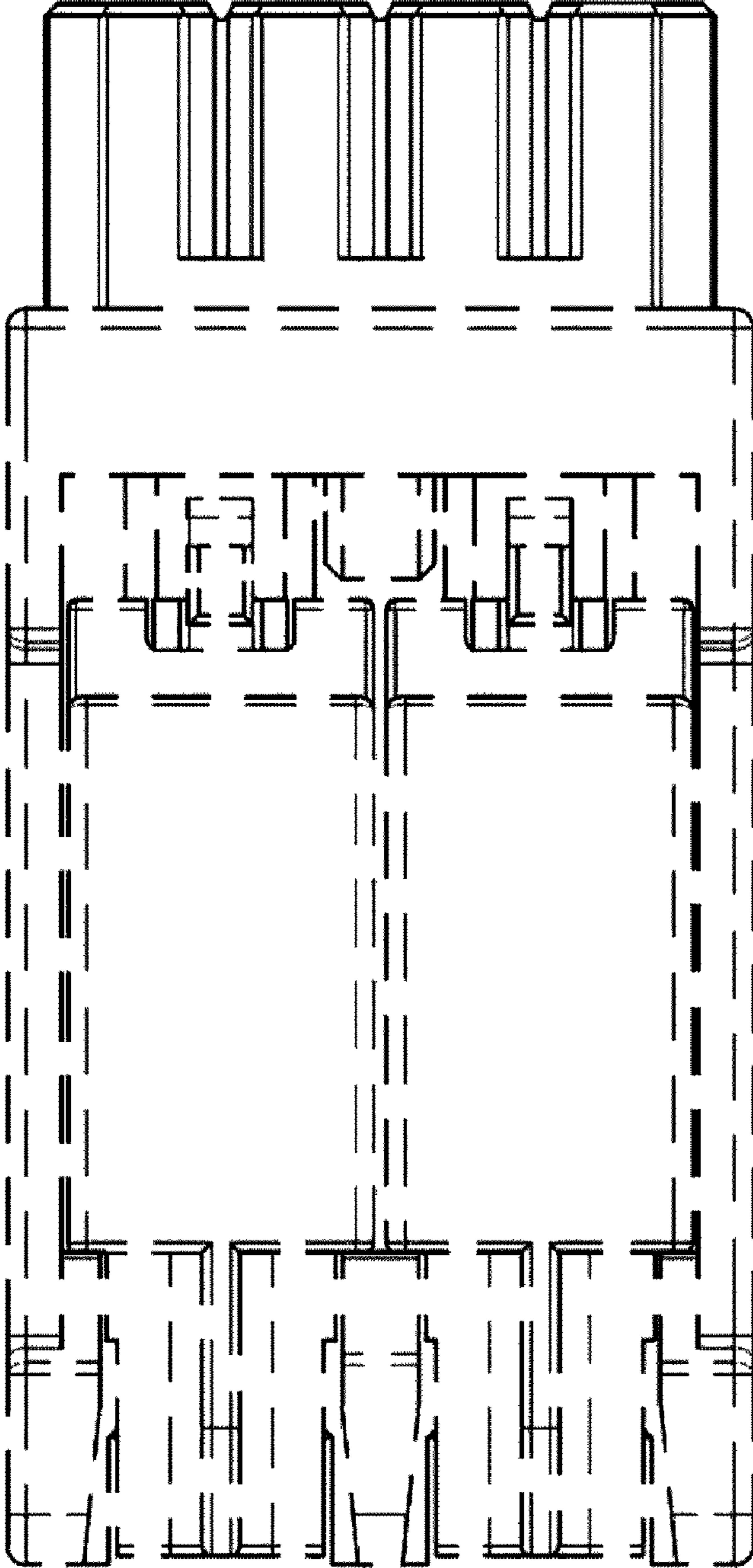


Fig. 2

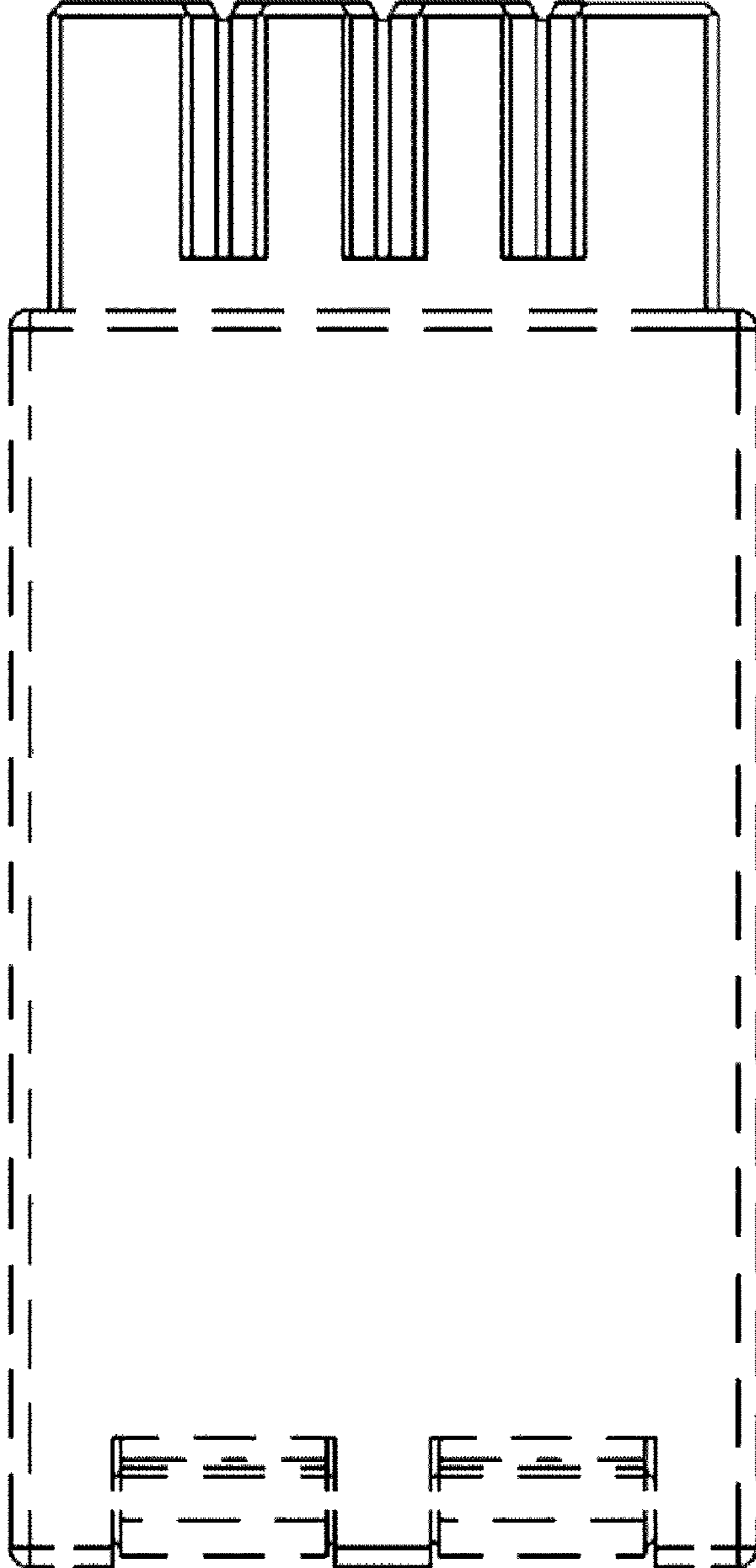


Fig. 3

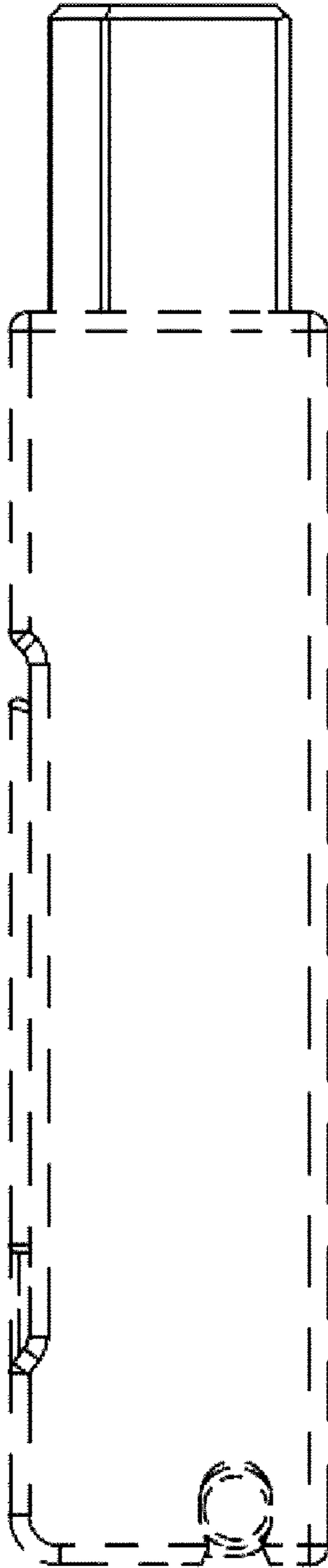


Fig. 4

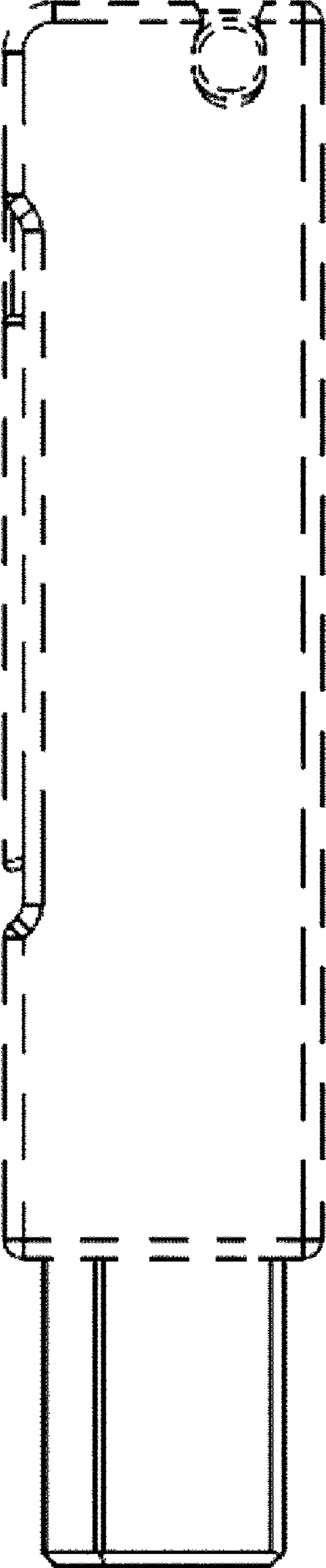


Fig. 5

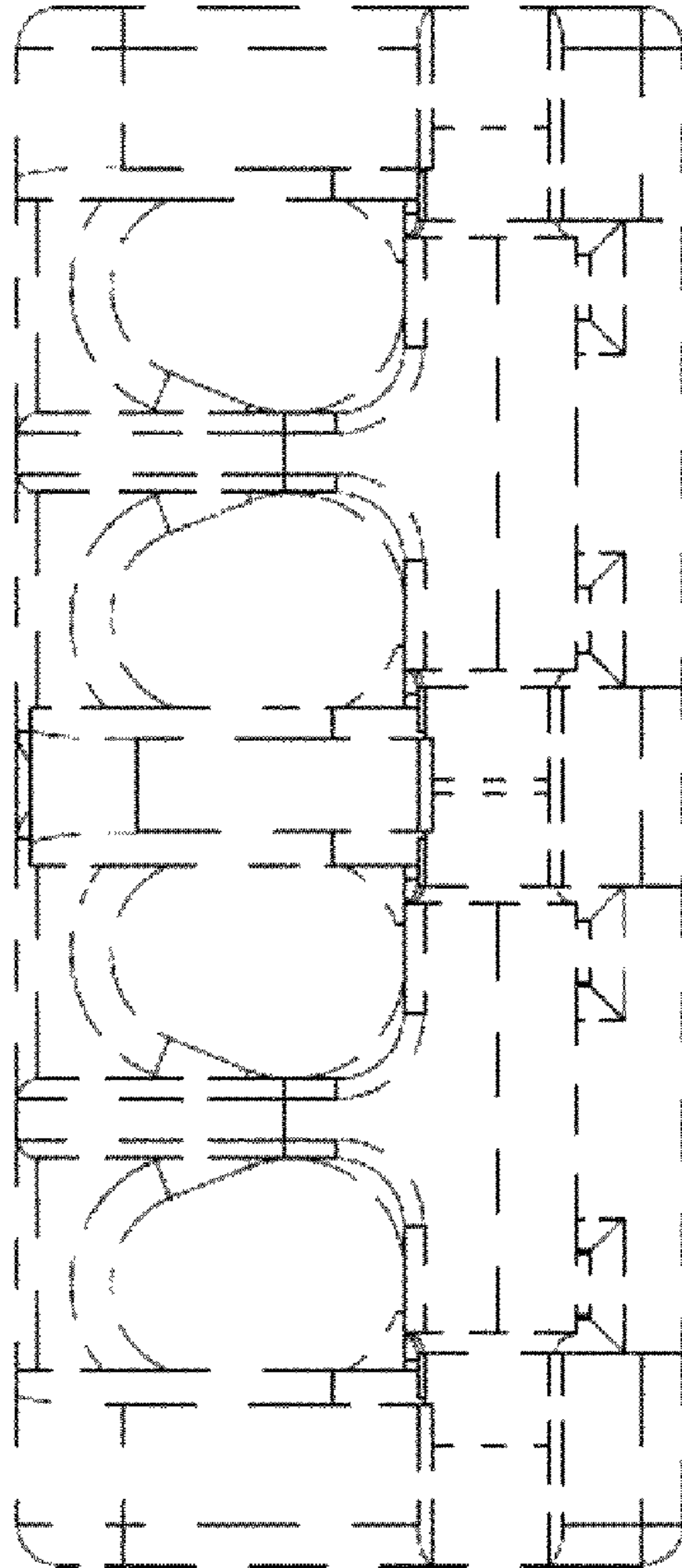


Fig. 6

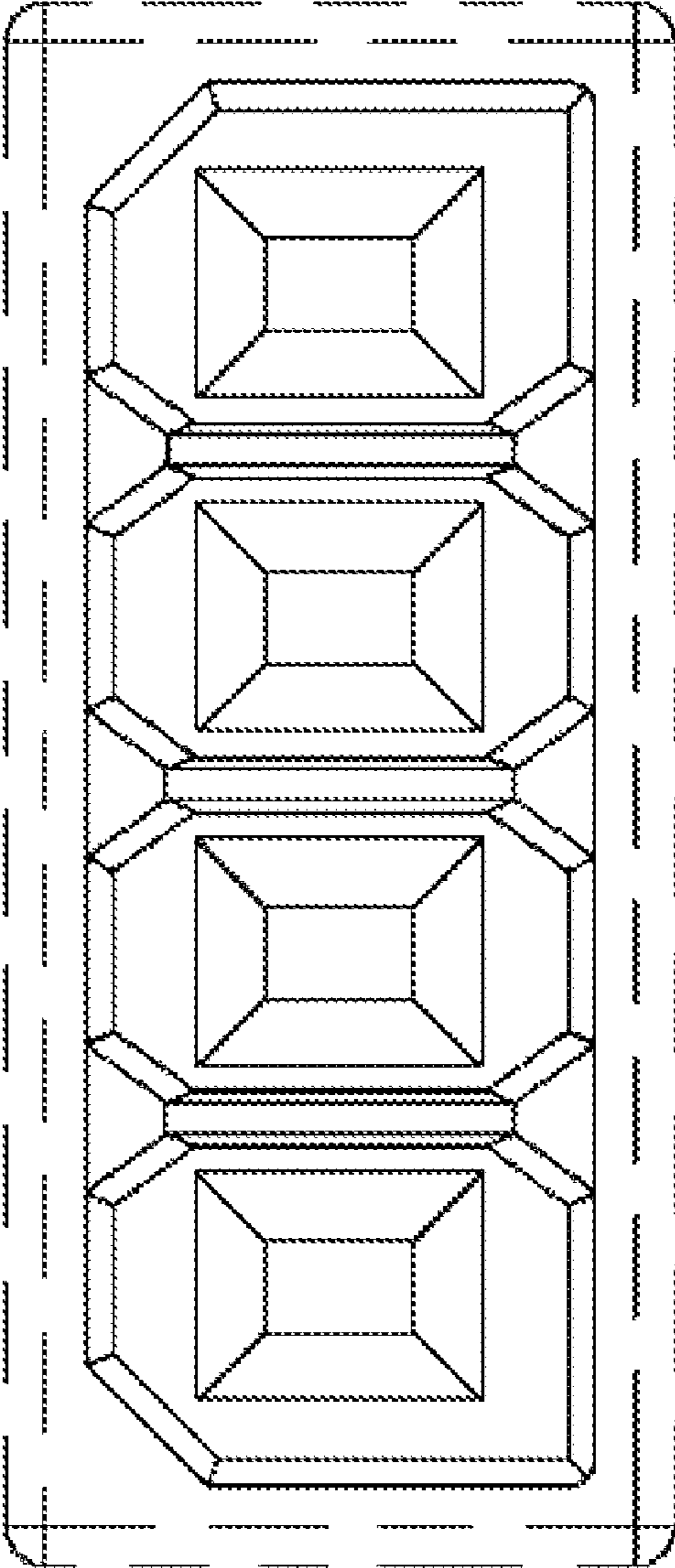


Fig. 7