



US00D645404S

(12) **United States Design Patent**
Chuang

(10) **Patent No.:** **US D645,404 S**

(45) **Date of Patent:** **** Sep. 20, 2011**

(54) **ADJUSTABLE WALL SOCKET WITH DISPLAY**

(75) Inventor: **Hui Ju Chuang**, Taipei County (TW)

(73) Assignee: **Powertech Industrial Co., Ltd.**, Taipei Hsien (TW)

(**) Term: **14 Years**

(21) Appl. No.: **29/365,654**

(22) Filed: **Jul. 13, 2010**

(30) **Foreign Application Priority Data**

Jun. 11, 2010 (TW) 99302933

(51) **LOC (9) Cl.** **13-03**

(52) **U.S. Cl.** **D13/139.1**

(58) **Field of Classification Search** D13/138.1, D13/138.2, 139.1, 139.2, 139.3, 139.4, 139.5, D13/139.6, 139.7, 139.8, 137.1, 137.2, 137.3, D13/137.4, 133, 146, 147, 151, 152, 153, D13/154, 107, 108, 110, 162, 170, 156; 363/15, 363/34, 146; 439/93, 105, 119, 149, 225, 439/521, 535, 583, 866, 919; D8/353; 174/493, 174/494, 53, 59, 60, 66, 67; 320/111, 114, 320/115

See application file for complete search history.

(56) **References Cited**

U.S. PATENT DOCUMENTS

D353,363 S * 12/1994 Toby D13/139.4
D442,143 S * 5/2001 Gershfeld D13/139.4

D465,201 S * 11/2002 Gershfeld D13/139.4
D472,522 S * 4/2003 MacKay D13/139.6
D475,683 S * 6/2003 Gershfeld D13/139.4
D512,964 S * 12/2005 Kissinger et al. D13/139.4
D513,734 S * 1/2006 Aromin D13/139.8
D516,513 S * 3/2006 Kissinger et al. D13/139.4
D537,785 S * 3/2007 Pincek D13/139.4
D556,139 S * 11/2007 Gershfeld D13/139.4
D564,973 S * 3/2008 Meng-Suen D13/162

* cited by examiner

Primary Examiner — Angela Lee

(74) *Attorney, Agent, or Firm* — Rosenberg, Klein & Lee

(57) **CLAIM**

The ornamental design for an “adjustable wall socket with display,” as shown and described.

DESCRIPTION

FIG. 1 is a perspective view of an “adjustable wall socket with display” showing my new design;

FIG. 2 is a front view thereof;

FIG. 3 is a rear view thereof;

FIG. 4 is a left side view thereof;

FIG. 5 is a right side view thereof;

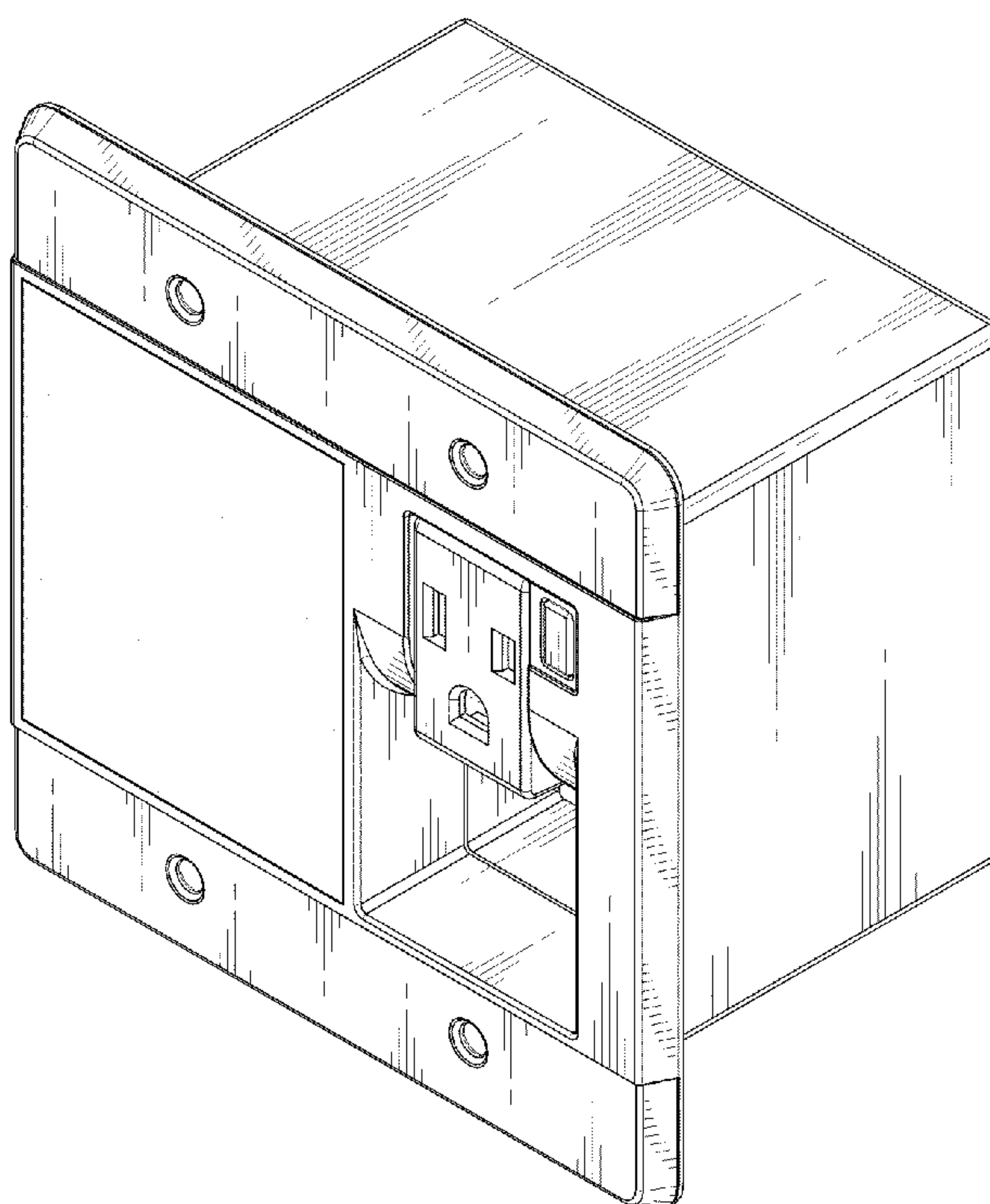
FIG. 6 is a top view thereof;

FIG. 7 is a bottom view thereof;

FIG. 8 is a perspective view showing the practical usage; and, FIG. 9 is another perspective view showing the practical usage thereof.

The broken lines in the drawings are used to show portions of the adjustable wall socket with display that do not form part of the claimed design.

1 Claim, 7 Drawing Sheets



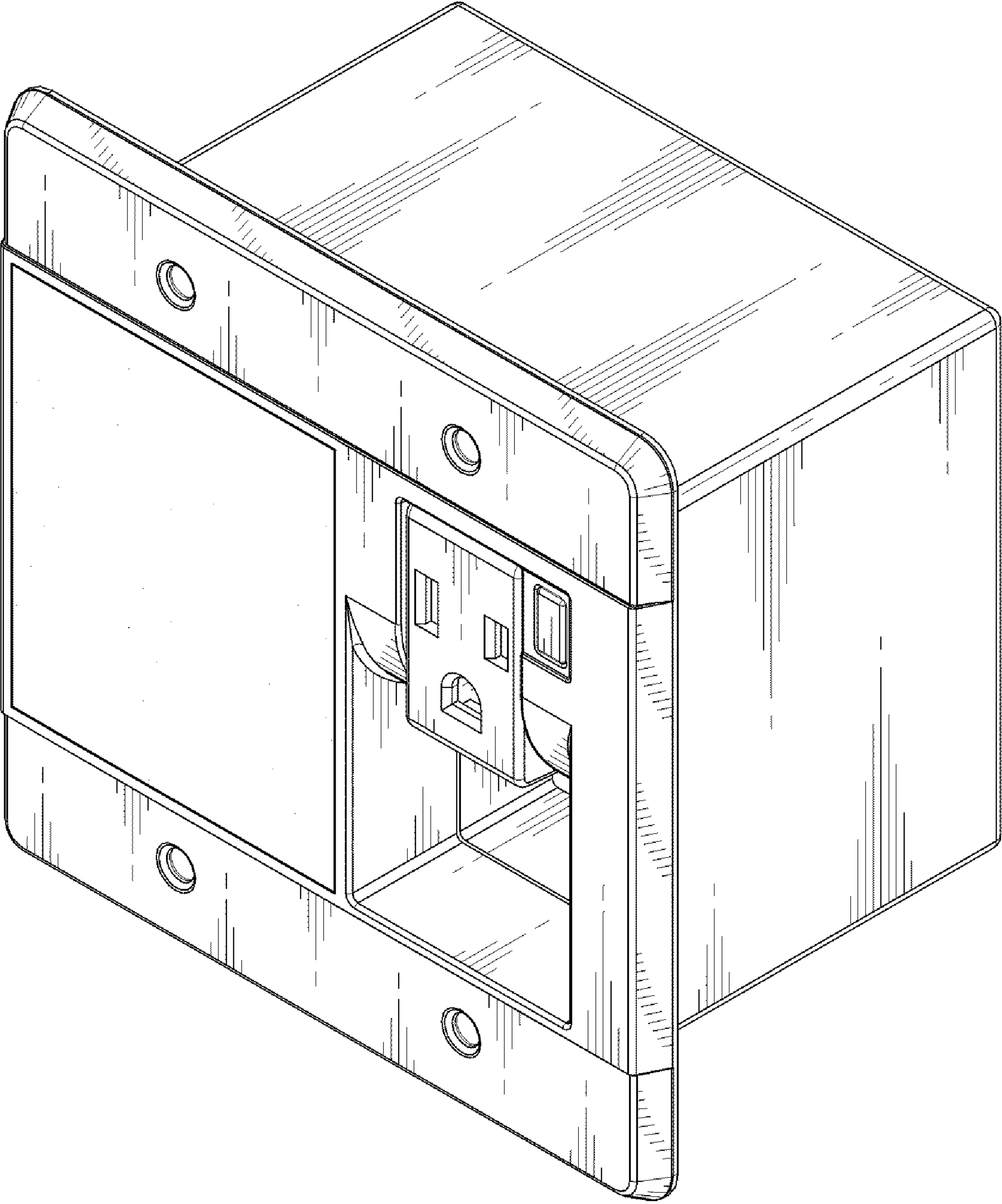


FIG. 1

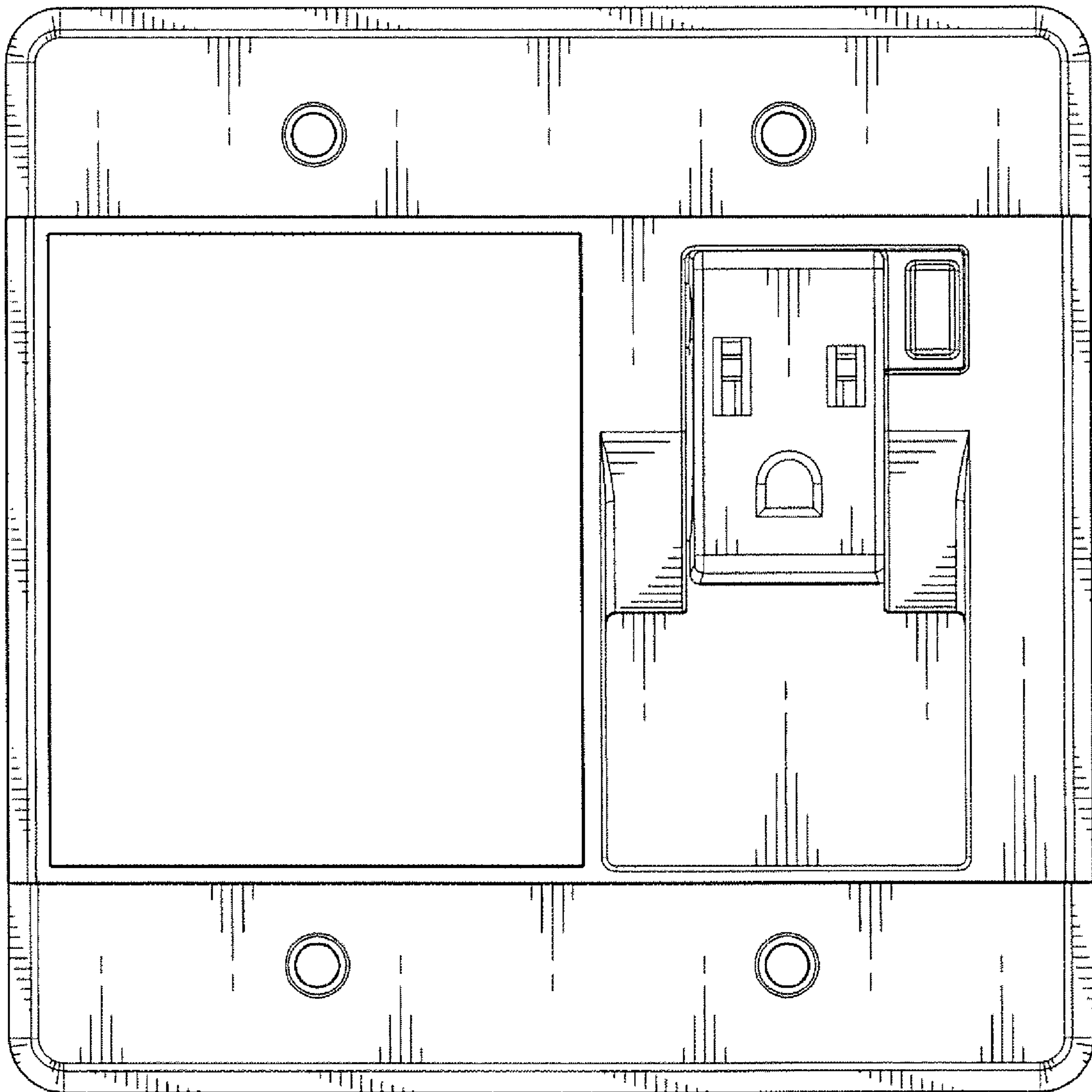


FIG. 2

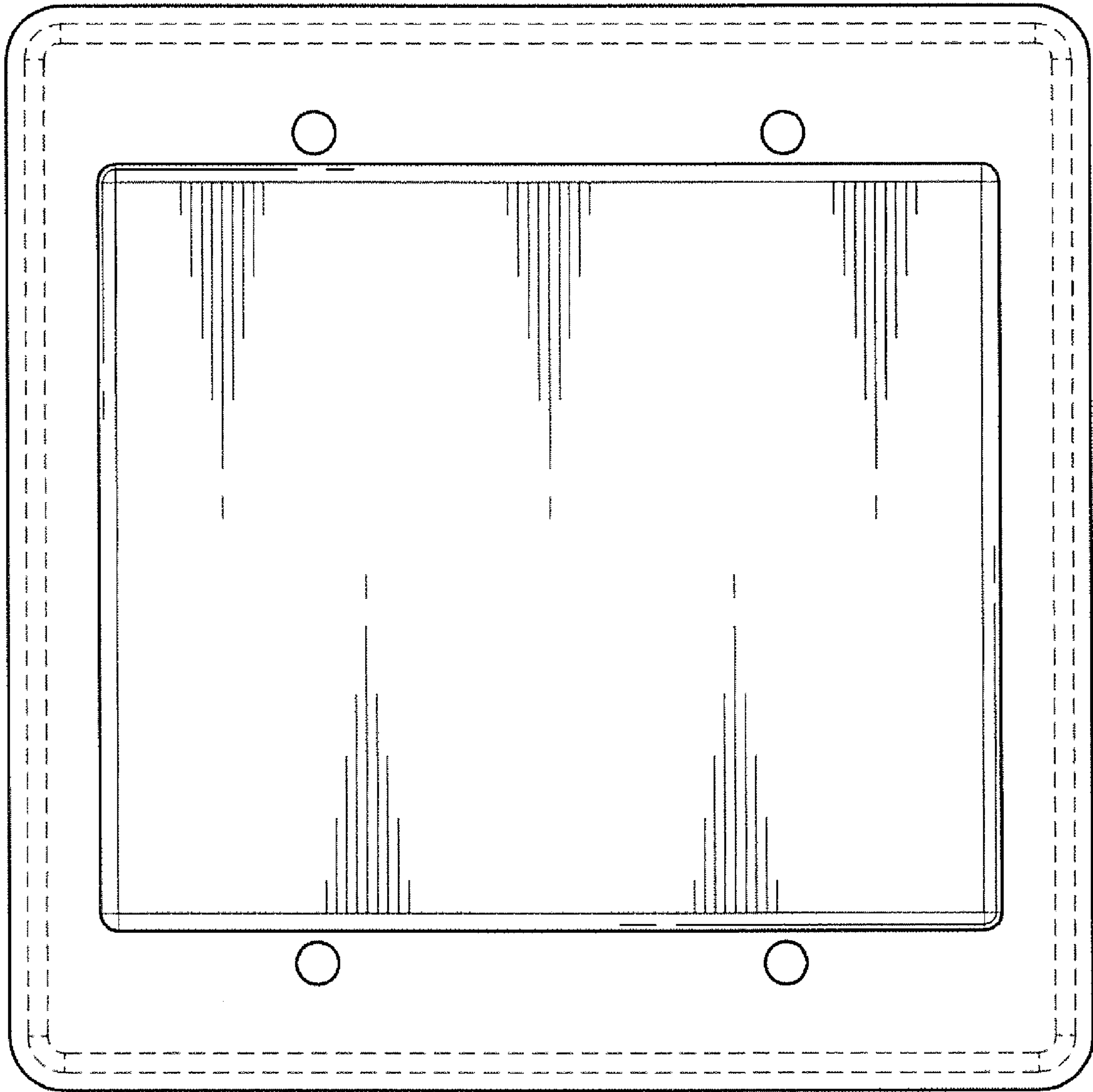


FIG. 3

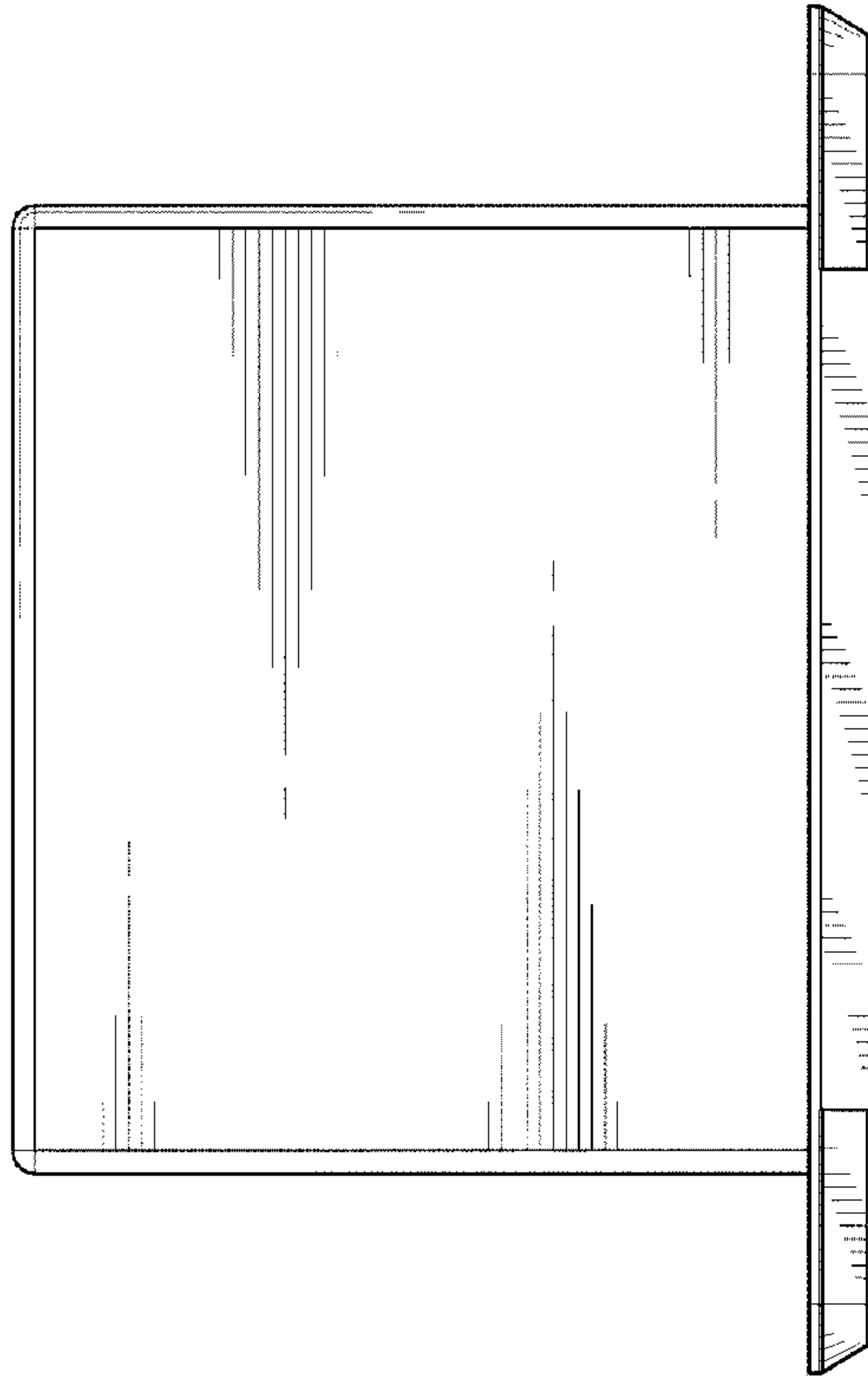


FIG. 4

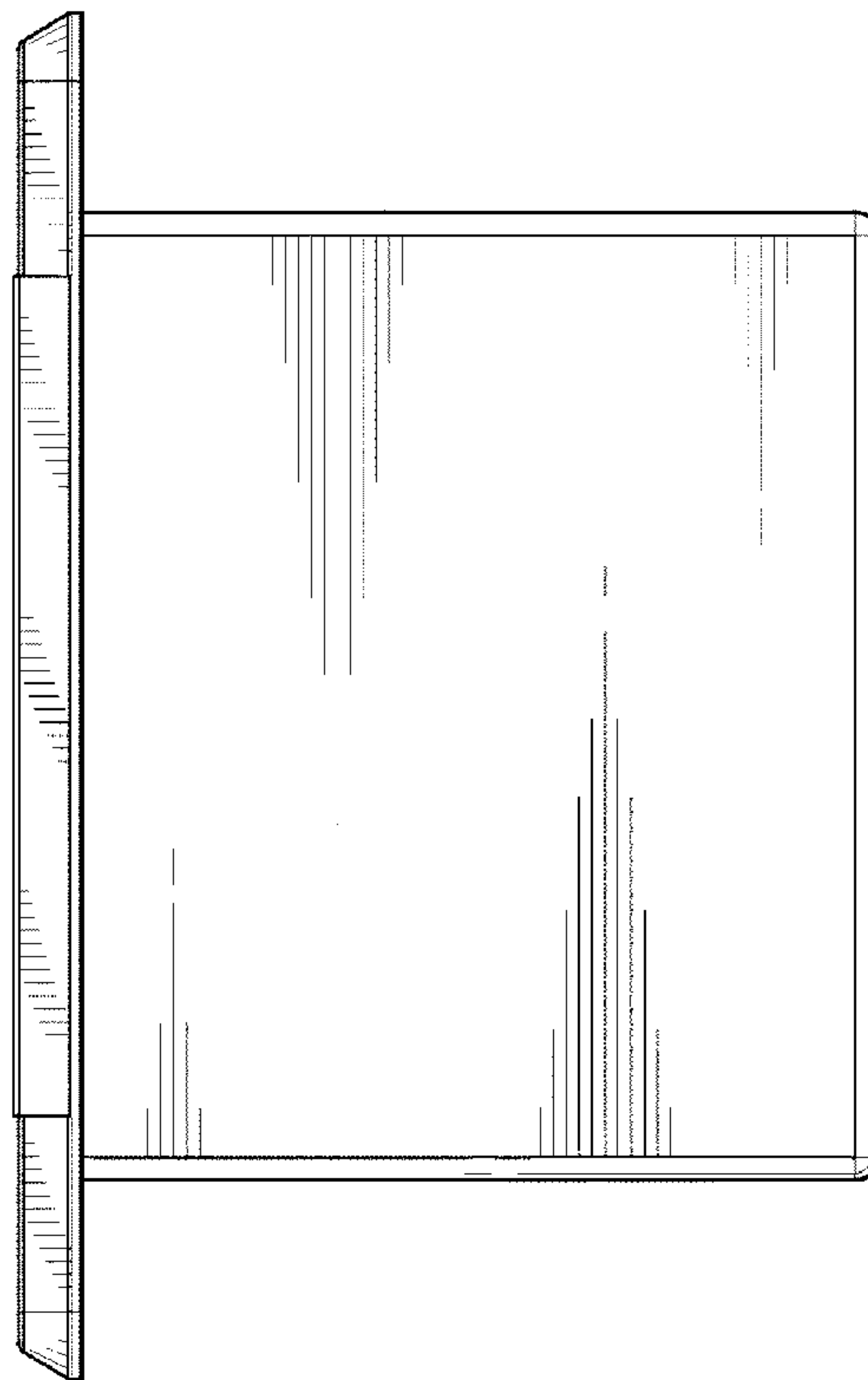


FIG. 5

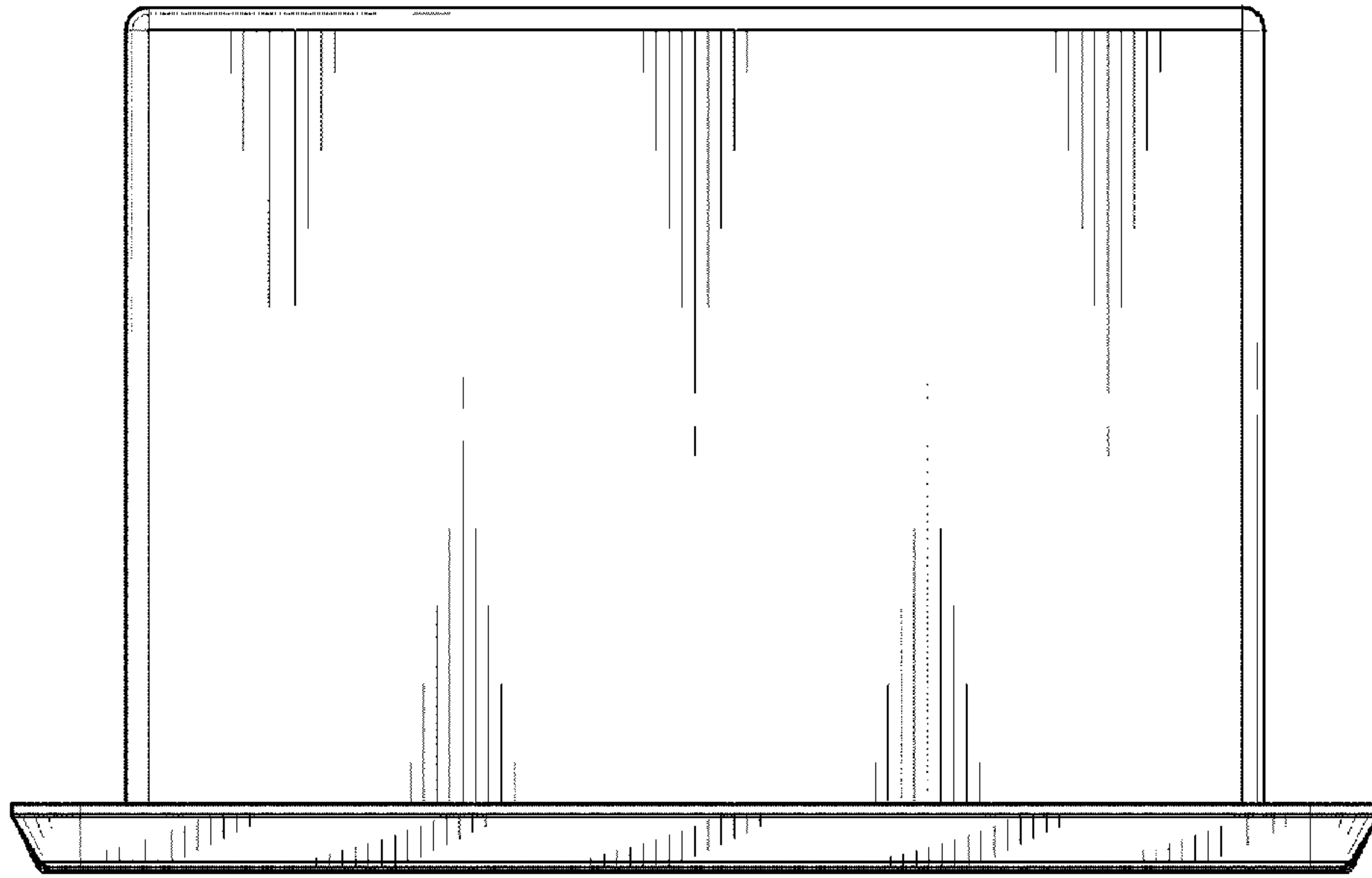


FIG. 6

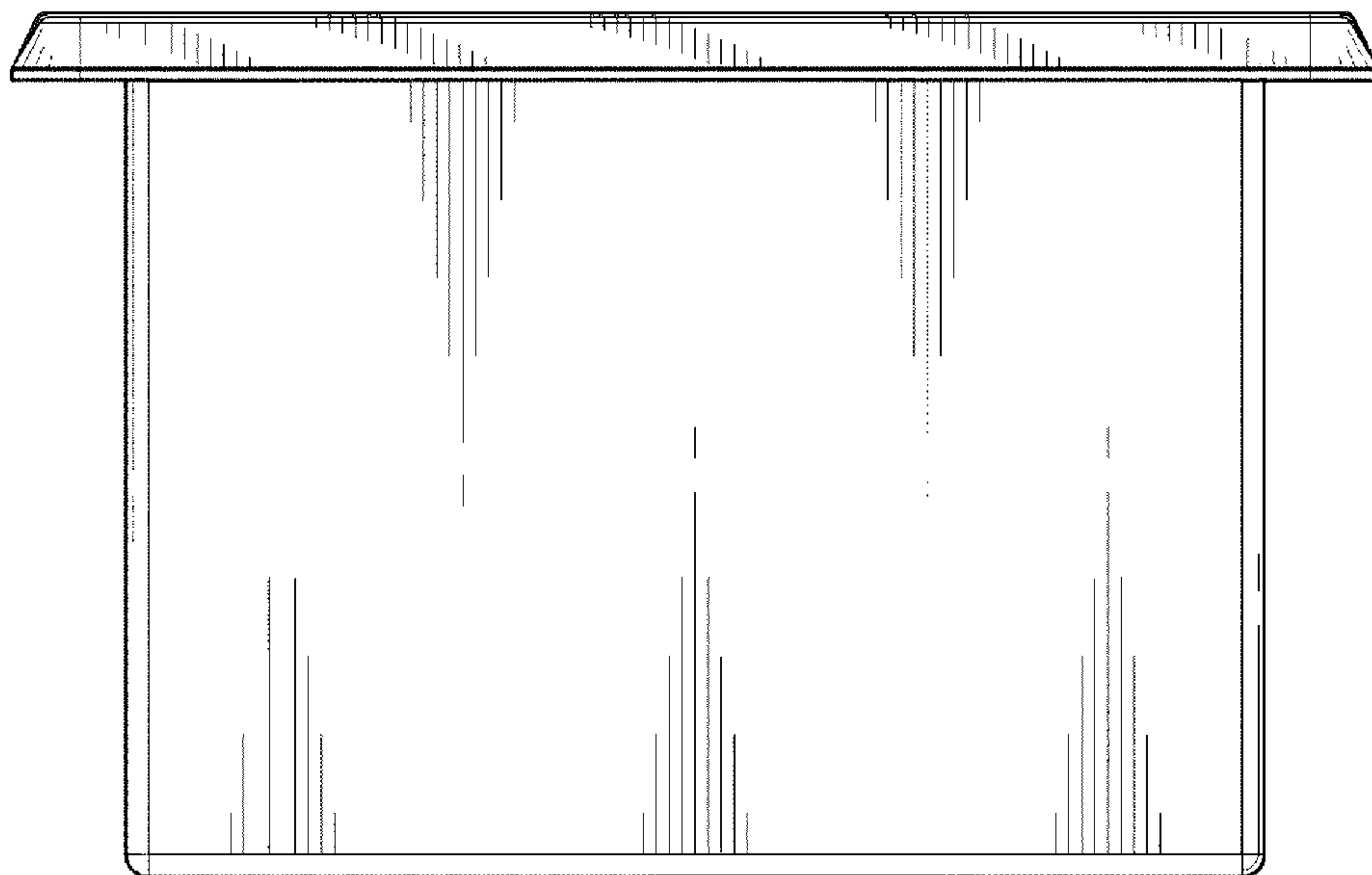


FIG. 7

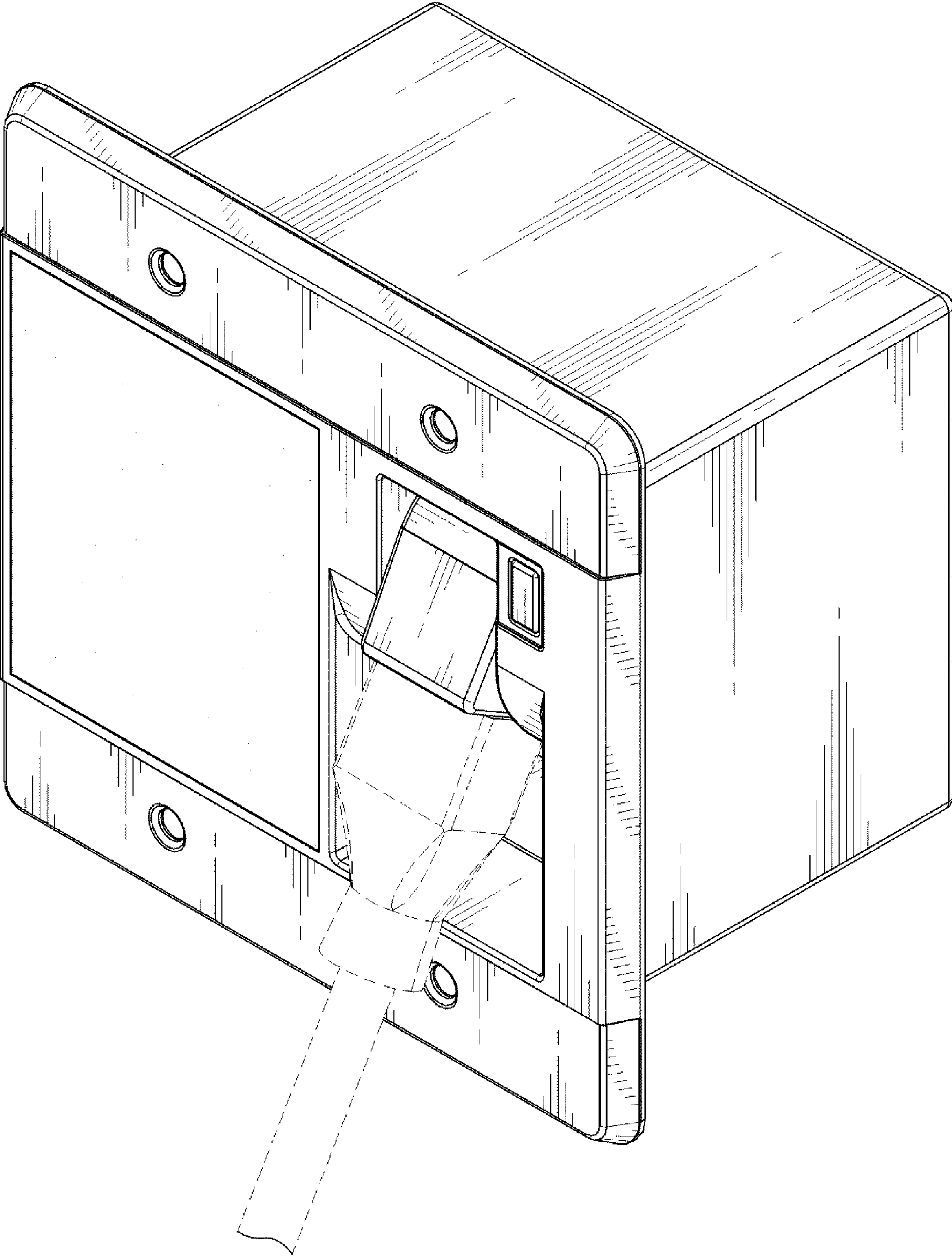


FIG. 8

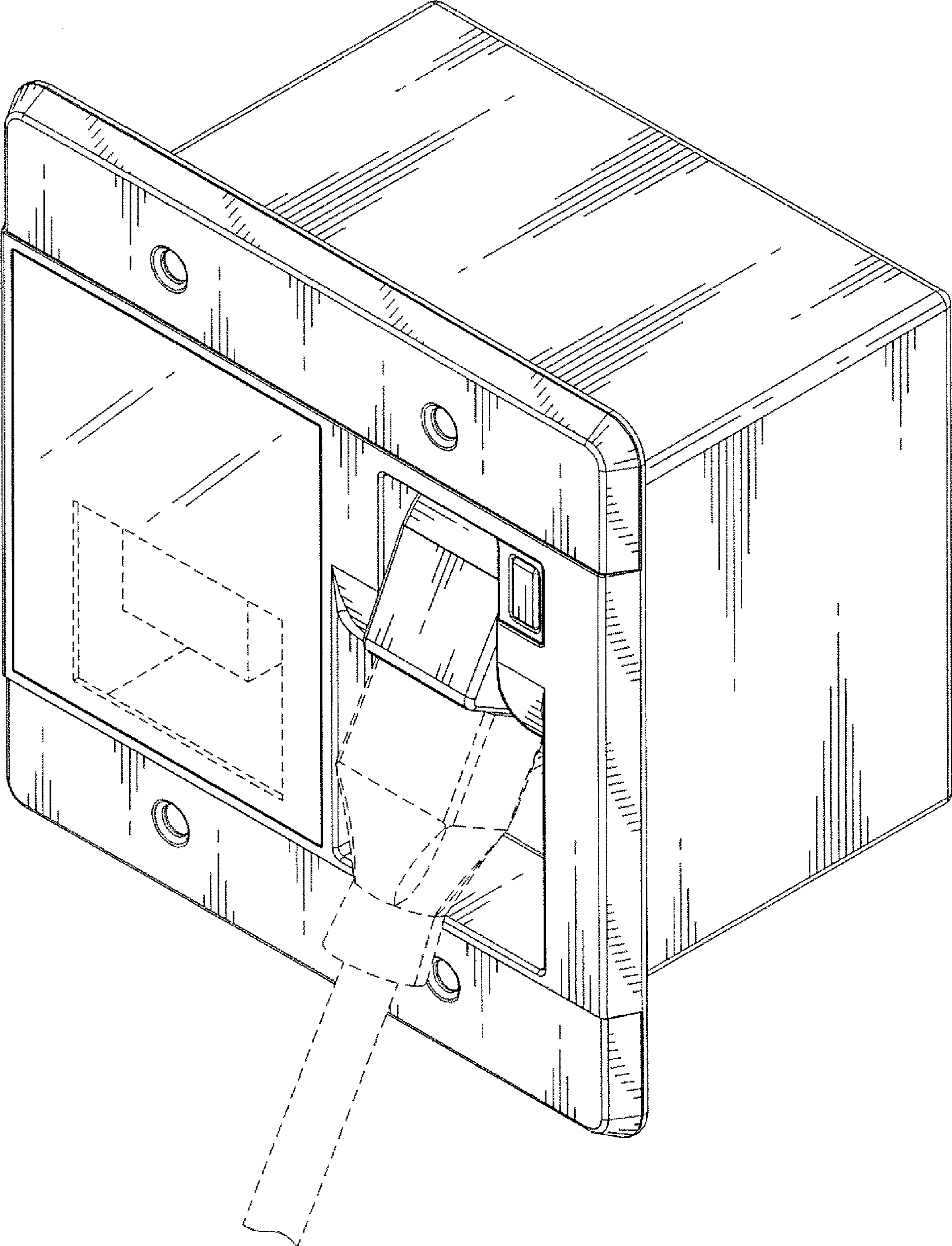


FIG. 9