



US00D645403S

(12) **United States Design Patent**
Seo et al.

(10) **Patent No.:** **US D645,403 S**
(45) **Date of Patent:** **** Sep. 20, 2011**

(54) **CHARGER FOR VACUUM CLEANERS**

(56) **References Cited**

(75) Inventors: **Woon Kyu Seo**, Seoul (KR); **Dae Sung Lee**, Gyeonggi-do (KR); **Young Soo Ha**, Seoul (KR); **Sun Il Cho**, Gyeonggi-do (KR)

U.S. PATENT DOCUMENTS

D489,681	S	*	5/2004	Chen	D13/108
D521,928	S	*	5/2006	Shimizu	D13/108
D554,115	S	*	10/2007	Liu et al.	D14/253
D561,182	S	*	2/2008	Jenkins et al.	D14/253
D566,352	S	*	4/2008	Ågren et al.	D32/31
D584,731	S	*	1/2009	Montgomery et al.	D14/434
D609,707	S	*	2/2010	Lee	D14/434
D628,961	S	*	12/2010	Kim et al.	D13/108

(73) Assignee: **LG Electronics Inc.**, Seoul (KR)

* cited by examiner

(**) Term: **14 Years**

Primary Examiner — Rosemary K Tarcza

(21) Appl. No.: **29/386,524**

(74) *Attorney, Agent, or Firm* — Birch, Stewart, Kolasch & Birch, LLP

(22) Filed: **Mar. 2, 2011**

(57) **CLAIM**

We claim the ornamental design for a charger for vacuum cleaners, as shown and described.

(30) **Foreign Application Priority Data**

DESCRIPTION

Sep. 3, 2010 (KR) 30-2010-0038861

FIG. 1 is a perspective view of a charger for vacuum cleaners showing our new design;

(51) **LOC (9) Cl.** **13-02**

FIG. 2 is a front elevation view thereof;

(52) **U.S. Cl.** **D13/108; D32/31**

FIG. 3 is a rear elevation view thereof;

(58) **Field of Classification Search** D13/107-110,

FIG. 4 is a left-side elevation view thereof;

D13/118-119, 184, 199; D14/217, 251,

FIG. 5 is a right-side elevation view thereof;

D14/253, 432, 434; 320/107-115; D32/25,

FIG. 6 is a top plan view thereof; and,

D32/31; 15/300.1, 323, 345

FIG. 7 is a bottom plan view thereof.

See application file for complete search history.

1 Claim, 4 Drawing Sheets

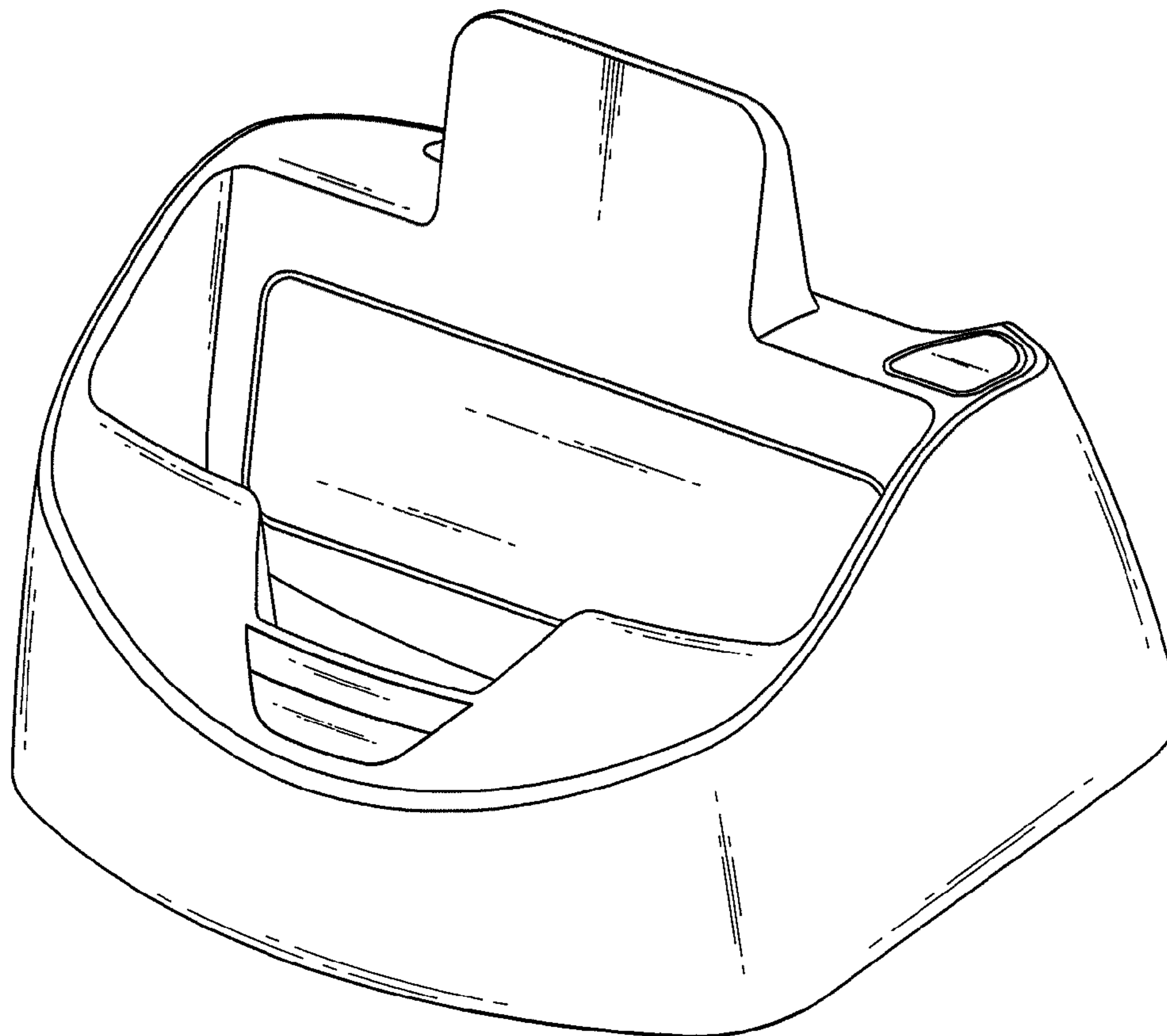


FIG. 1

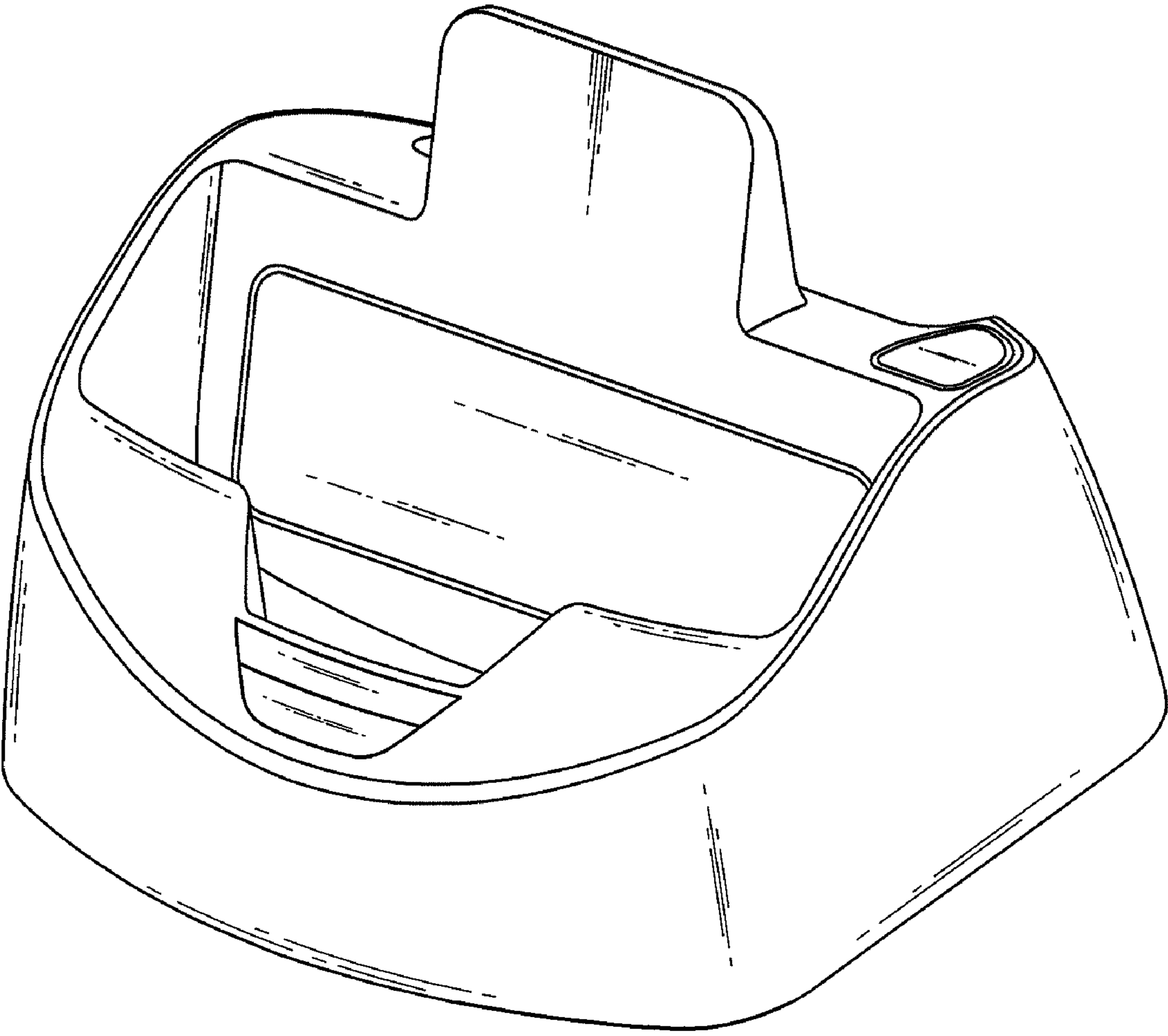


FIG. 2

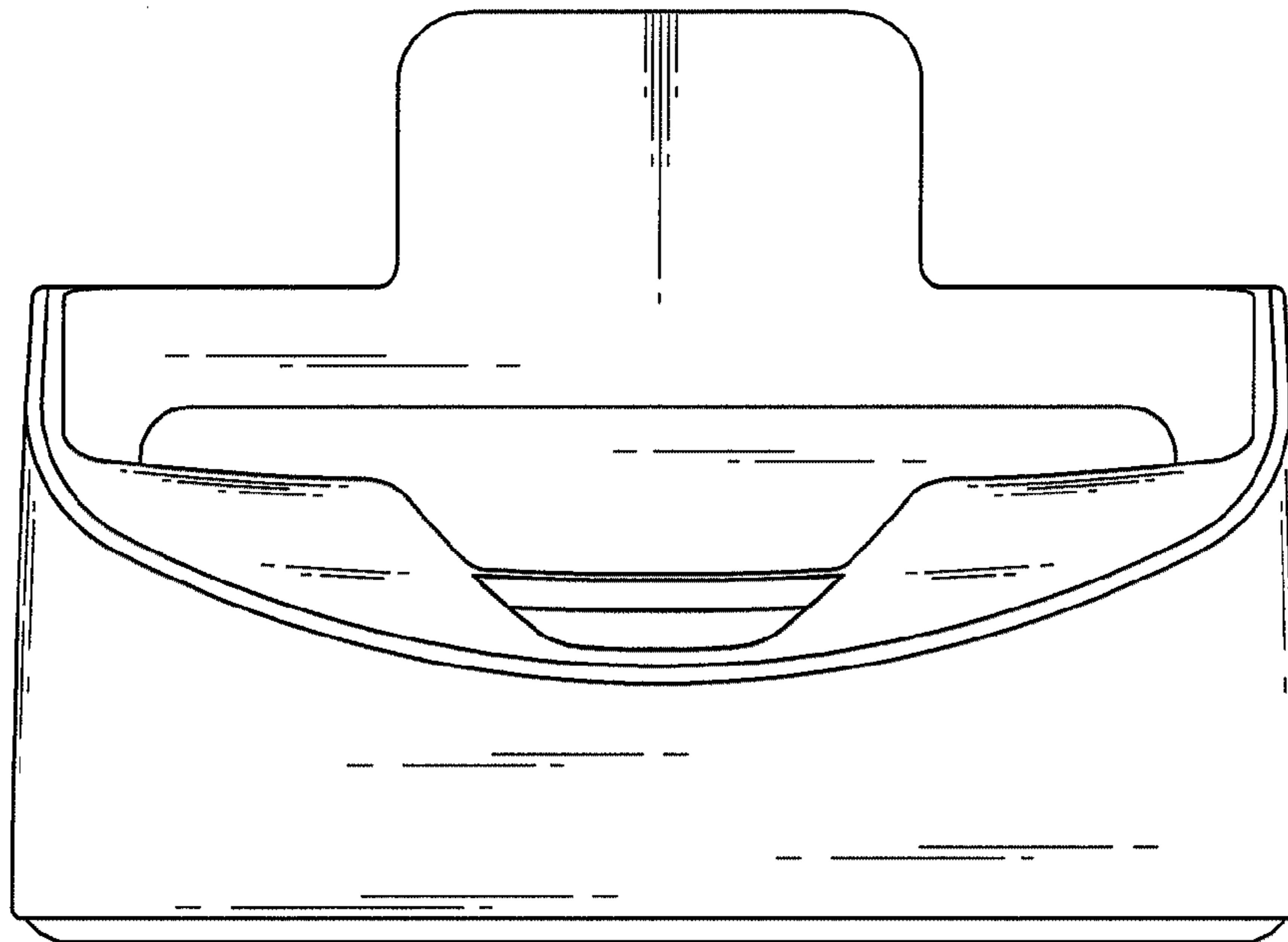


FIG. 3

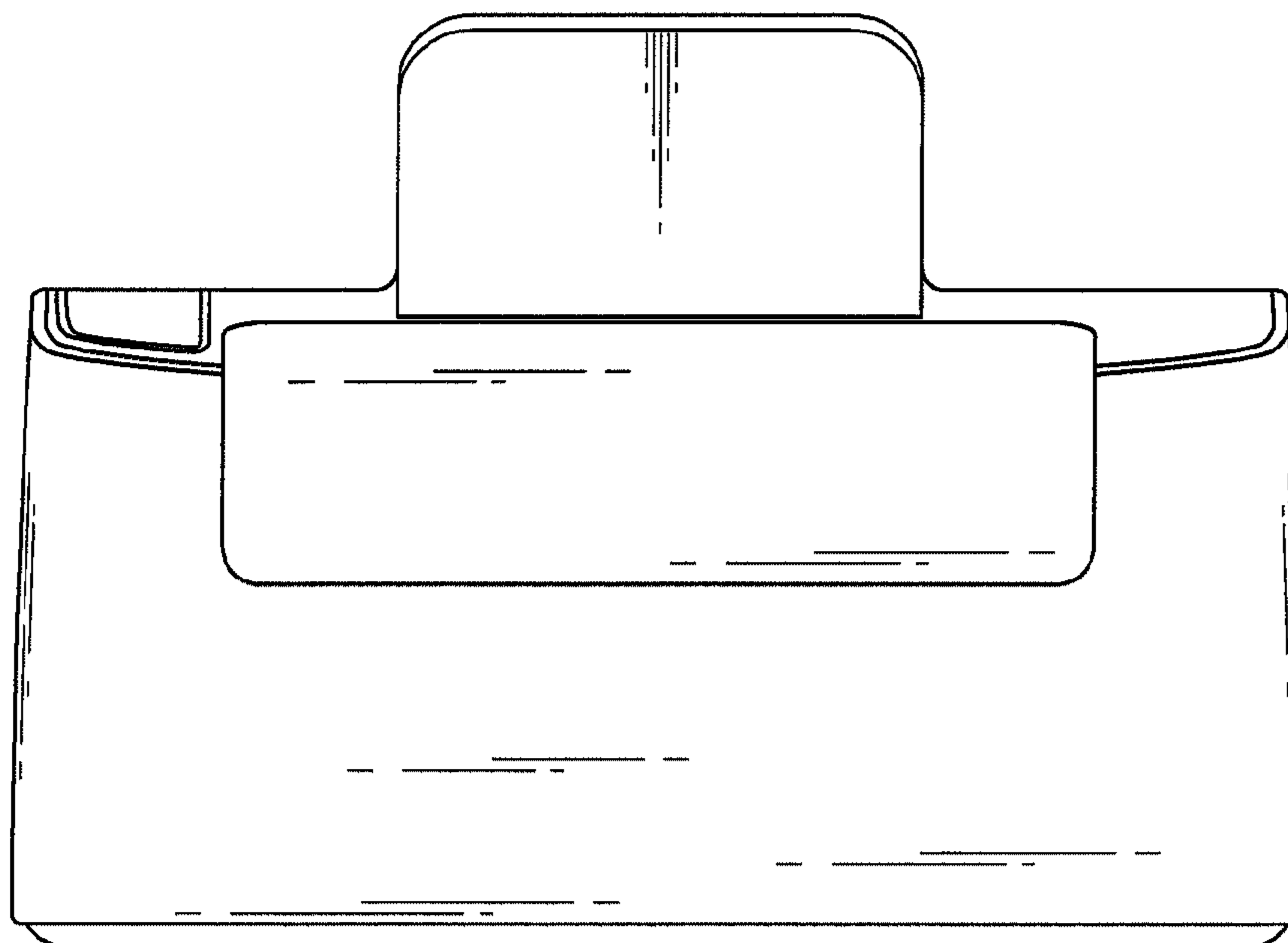


FIG. 4

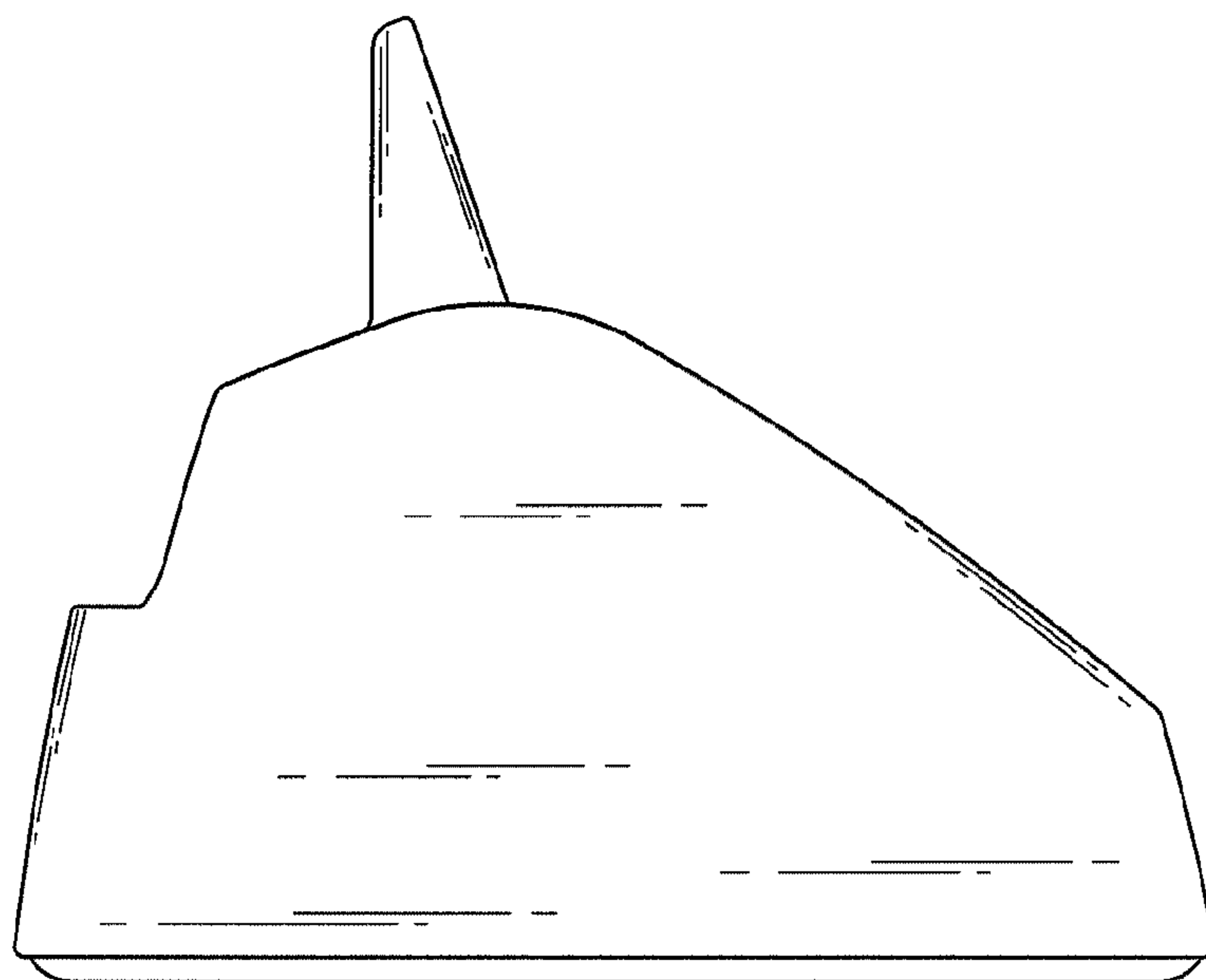


FIG. 5

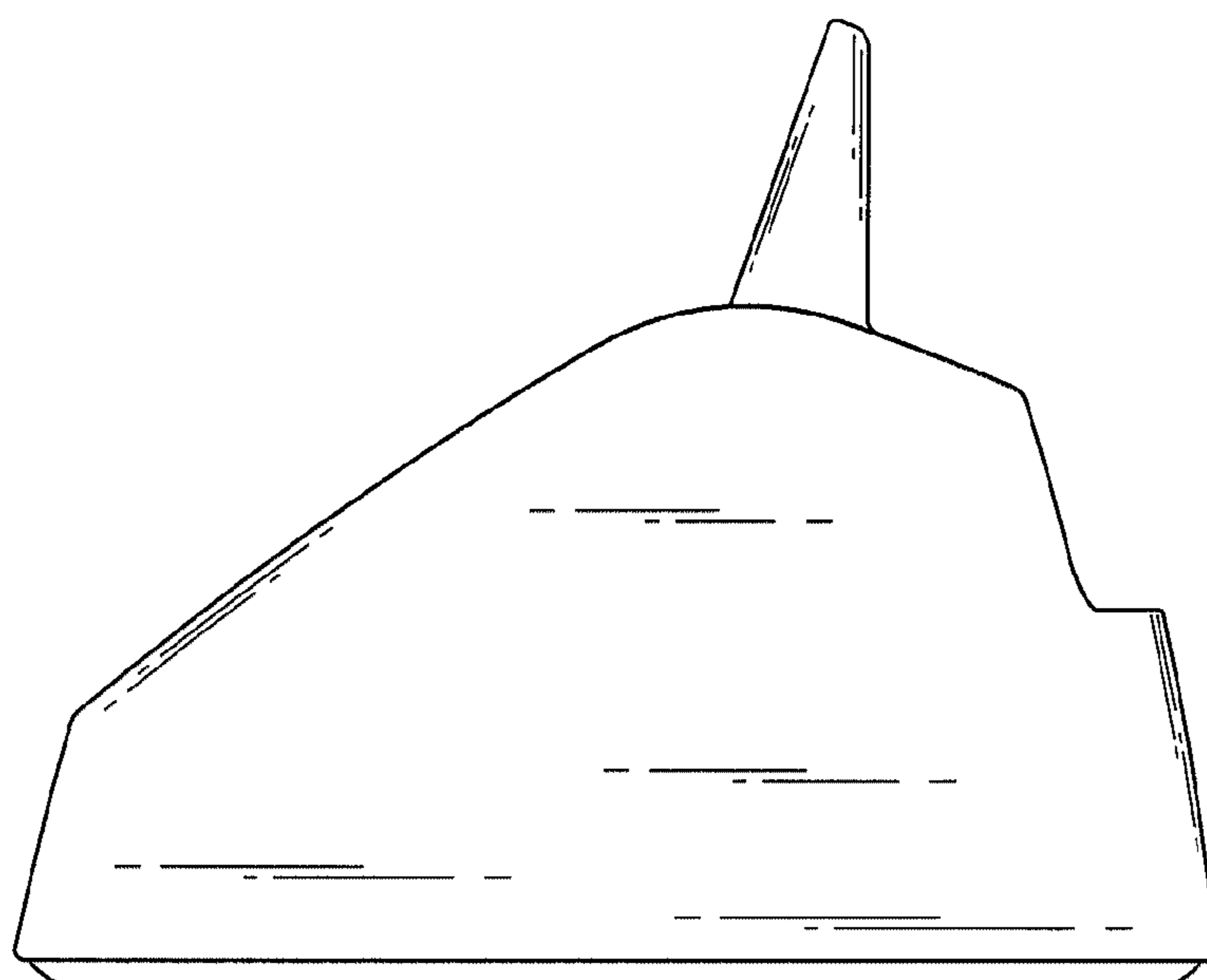


FIG. 6

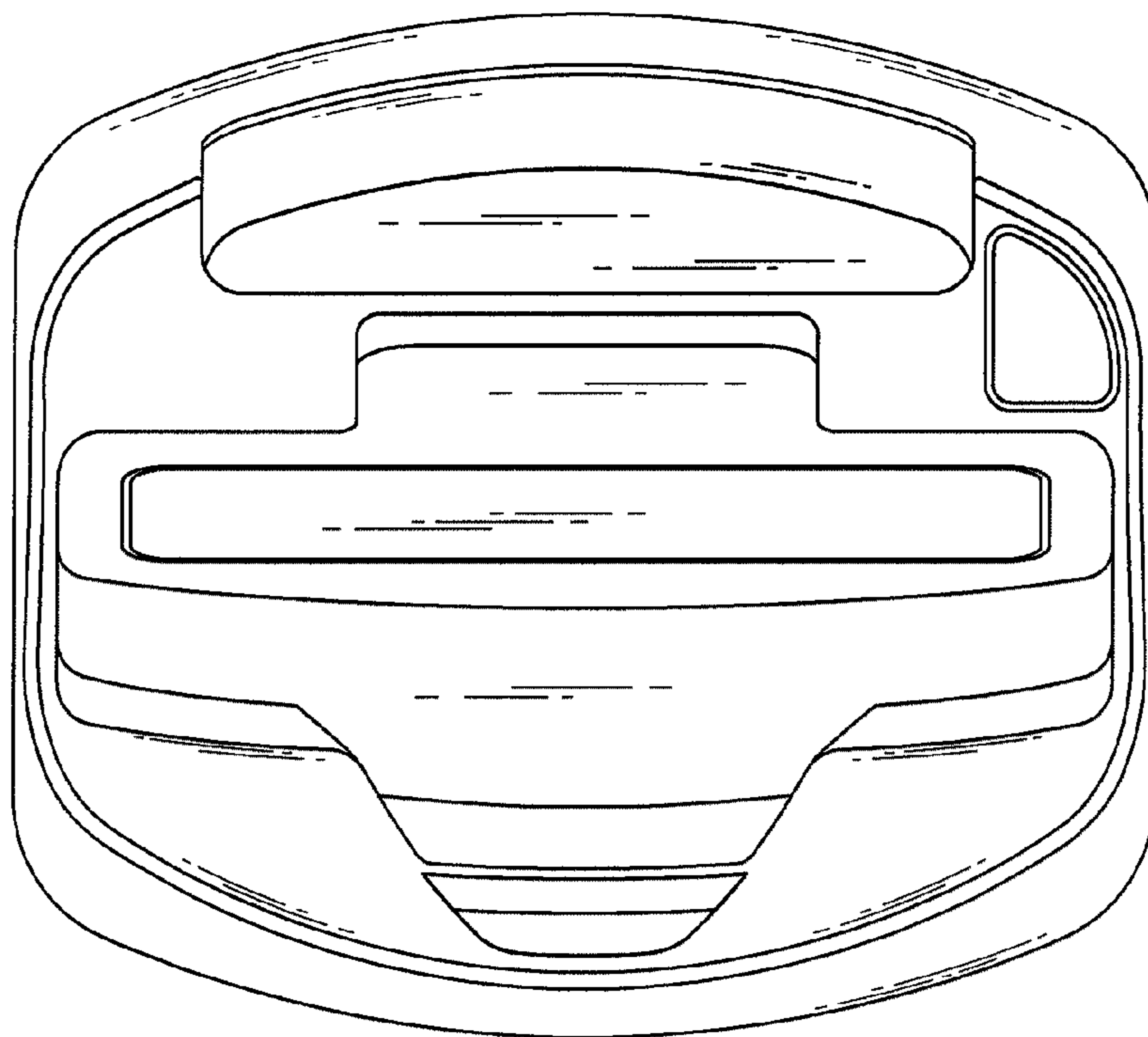


FIG. 7

