



US00D645401S

(12) **United States Design Patent**
Kurata

(10) **Patent No.:** **US D645,401 S**

(45) **Date of Patent:** **** Sep. 20, 2011**

(54) **DISPLAY APPARATUS FOR PHOTOVOLTAIC POWER GENERATION**

(75) Inventor: **Masaaki Kurata**, Wako (JP)

(73) Assignee: **Kabushiki Kaisha Toshiba**, Minato-ku, Tokyo (JP)

(**) Term: **14 Years**

(21) Appl. No.: **29/384,972**

(22) Filed: **Feb. 7, 2011**

(51) **LOC (9) Cl.** **13-02**

(52) **U.S. Cl.** **D13/102**

(58) **Field of Classification Search** D13/102,
D13/101, 107, 108, 110, 162, 199; D14/125,
D14/299, 371, 374, 455; 126/574; 136/244,
136/245, 251; 320/101

See application file for complete search history.

(56) **References Cited**

U.S. PATENT DOCUMENTS

5,522,943	A *	6/1996	Spencer et al.	136/245
D453,333	S *	2/2002	Chen	D14/374
D454,565	S *	3/2002	Harriman	D14/374
6,650,085	B2 *	11/2003	Lau et al.	320/101
D567,170	S *	4/2008	Chung et al.	D13/102
D568,257	S *	5/2008	Tatsuyama et al.	D13/162
D599,286	S *	9/2009	Horito et al.	D13/102
D599,733	S *	9/2009	Mizuta et al.	D13/102

FOREIGN PATENT DOCUMENTS

JP	D1123565	10/2001
JP	D1348153	1/2009
JP	D1348287	1/2009
JP	D1379404	2/2010

OTHER PUBLICATIONS

Omron Catalog of Solar Power Conditioner, KP-CM-SET.
Sharp Catalog of Color Monitor for Power Generation, JH-RWL1.
Kyocera Catalog of Monitor for Photovoltaic Power Generation, PMD47B.
Sharp Catalog of Color Monitor for Power Generation, JH-RCM1.
Sanyo Catalog of Monitor for Power Generation, STK-RCS-PCM2C.

* cited by examiner

Primary Examiner — Stella Reid

Assistant Examiner — Derrick Holland

(74) *Attorney, Agent, or Firm* — Banner & Witcoff, Ltd

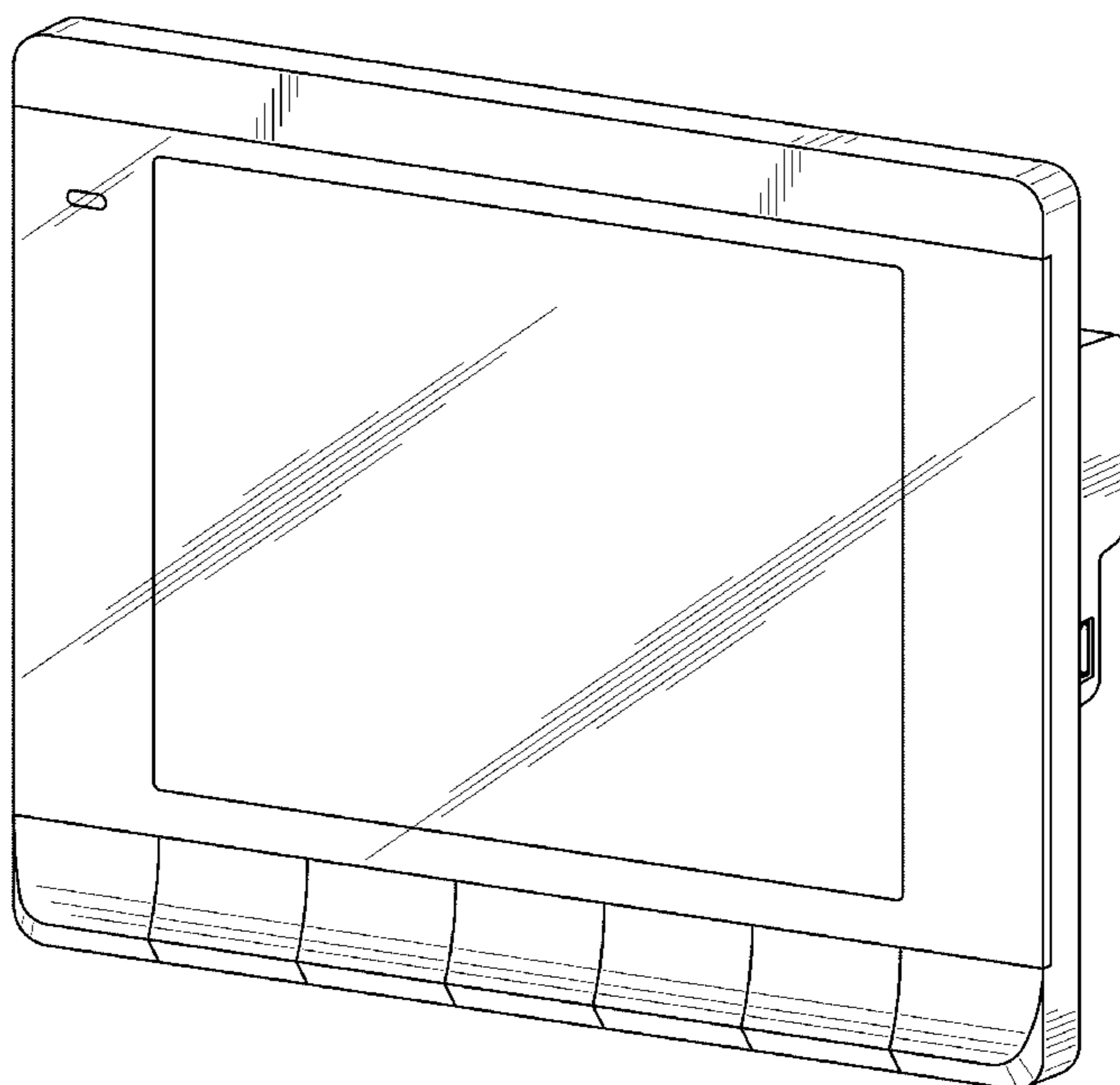
(57) **CLAIM**

The ornamental design for a display apparatus for photovoltaic power generation.

DESCRIPTION

FIG. 1 is a front perspective view of a display apparatus for photovoltaic power generation, showing my new design; FIG. 2 is a rear perspective view thereof; FIG. 3 is a front elevational view thereof; FIG. 4 is a rear elevational view thereof; FIG. 5 is a top plan view thereof; FIG. 6 is a bottom plan view thereof; FIG. 7 is a left side elevational view thereof; and, FIG. 8 is a right side elevational view thereof.

1 Claim, 6 Drawing Sheets



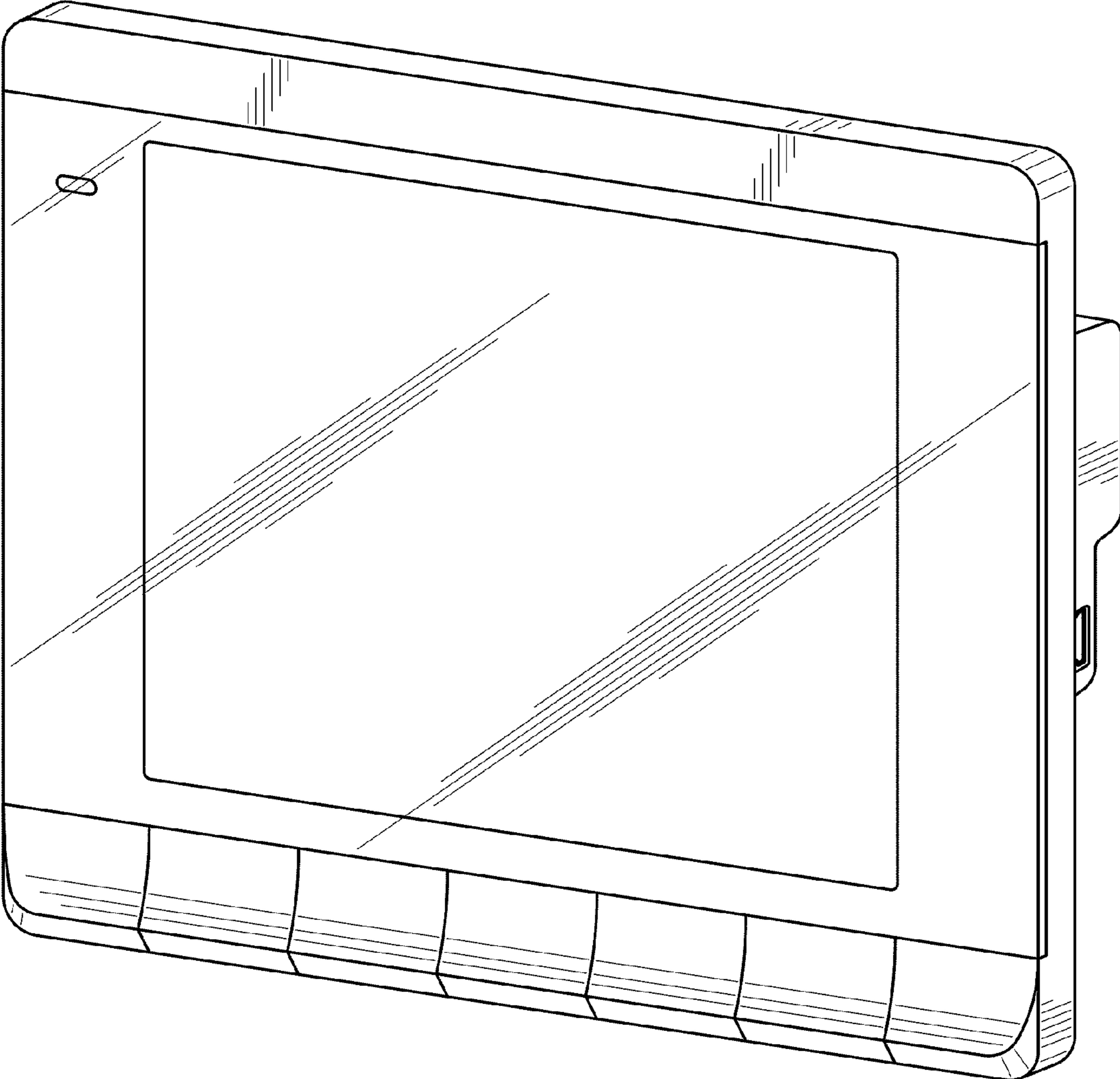


FIG.1

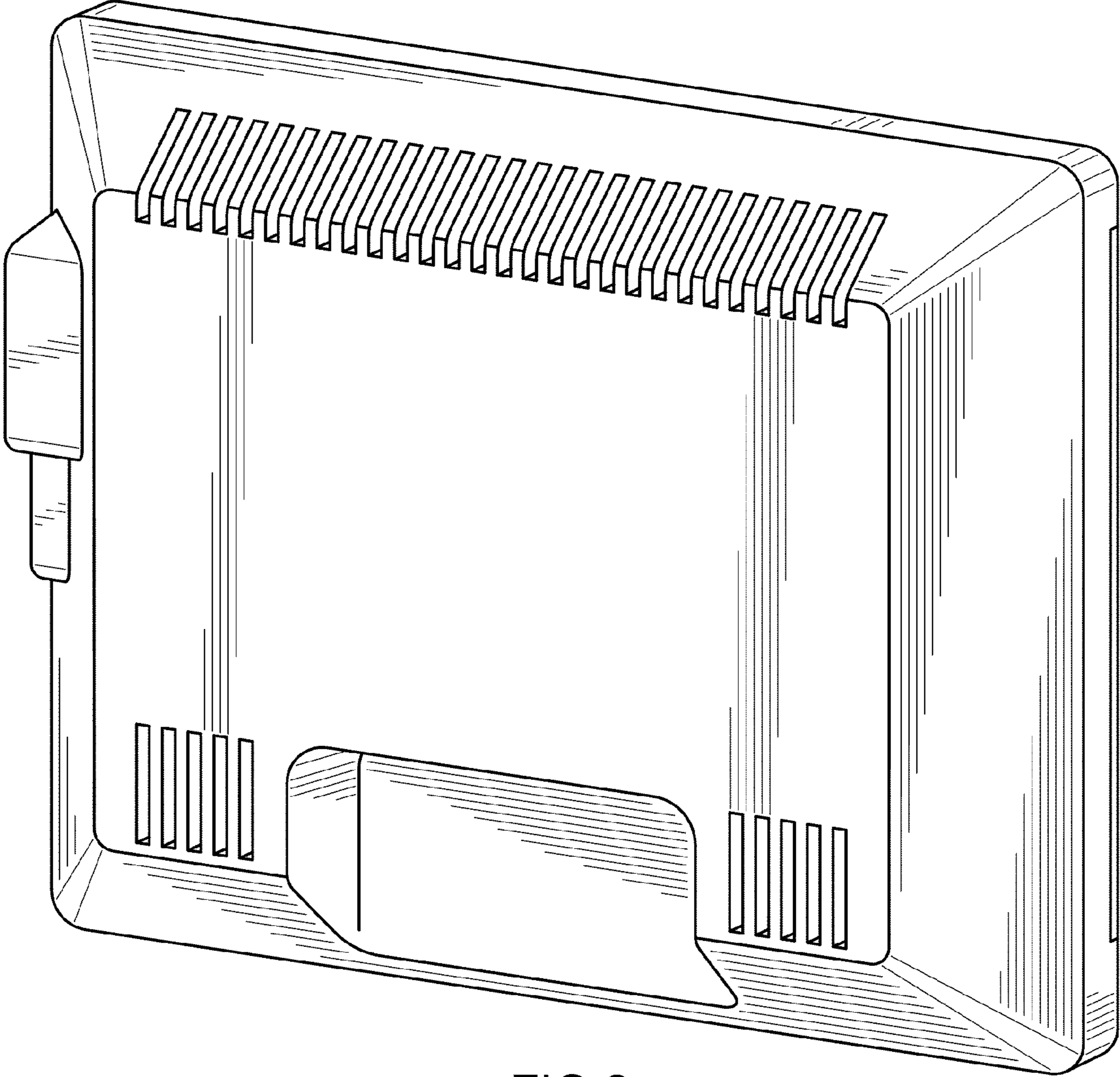


FIG.2

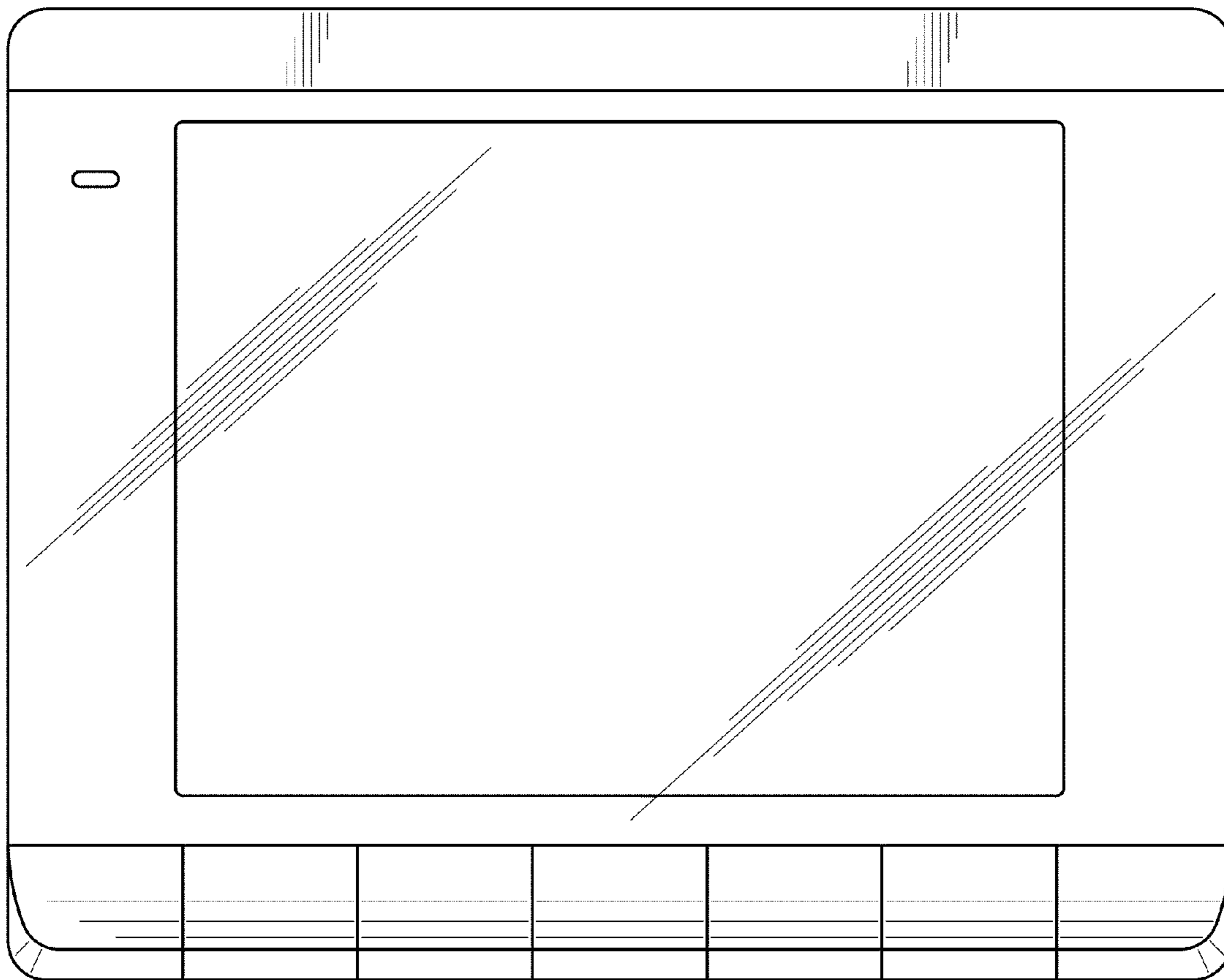


FIG.3

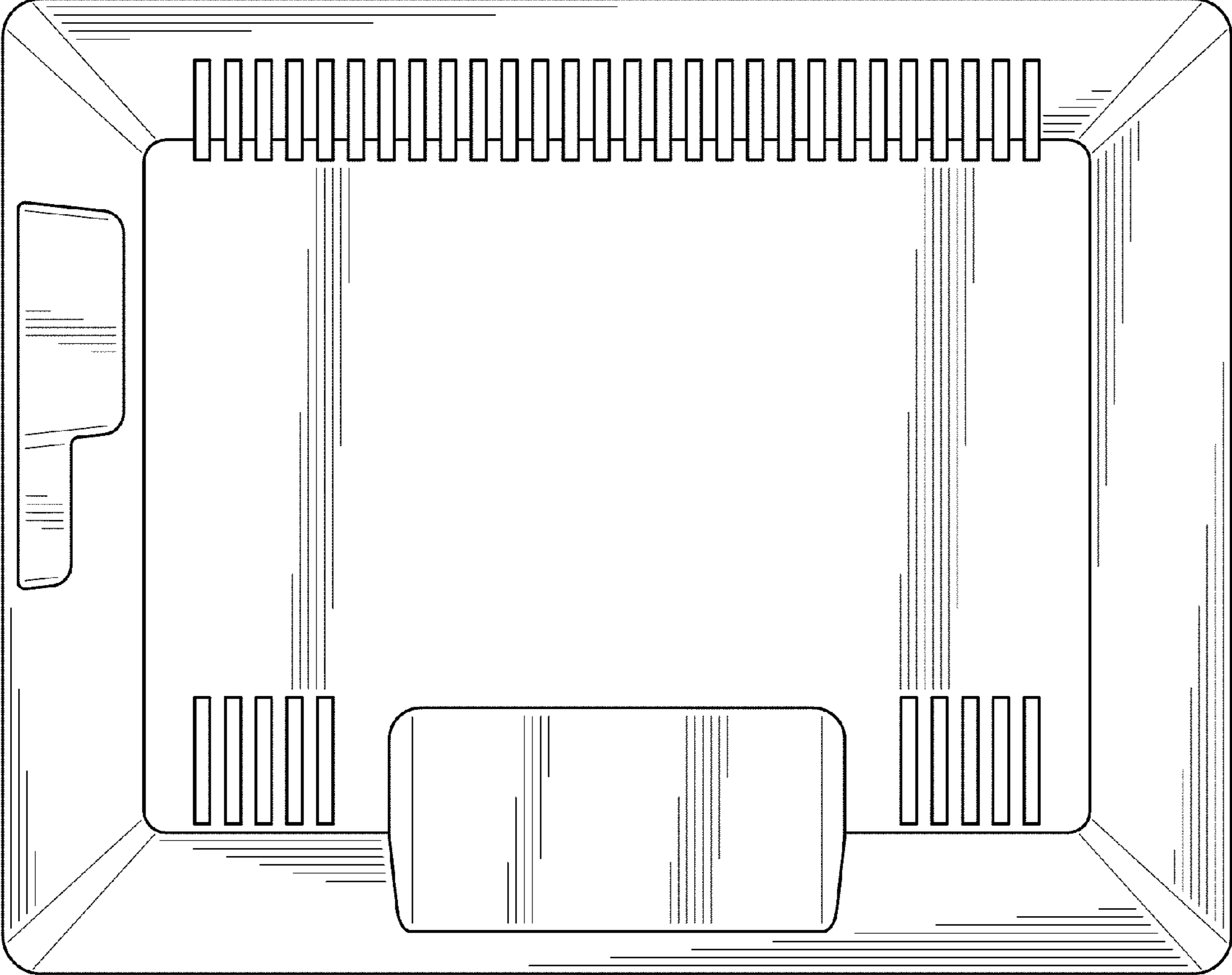


FIG.4

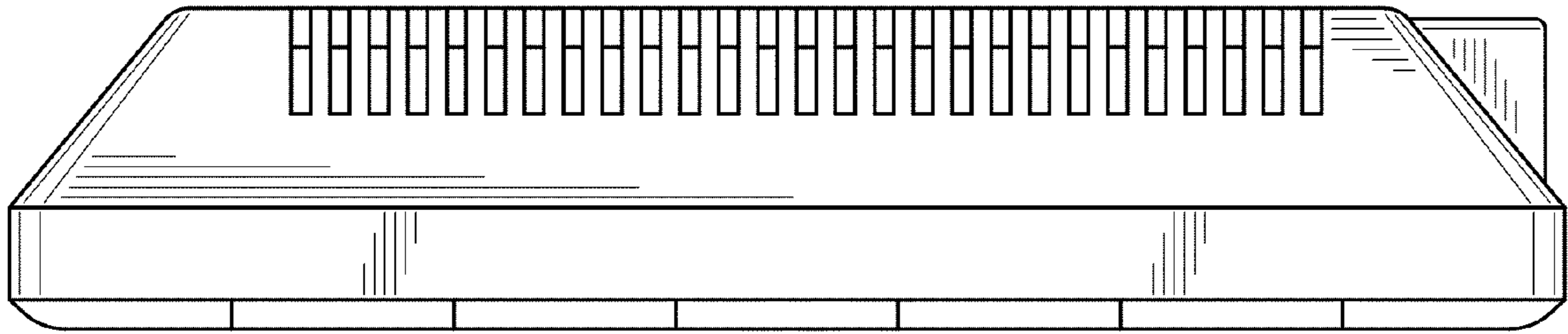


FIG.5

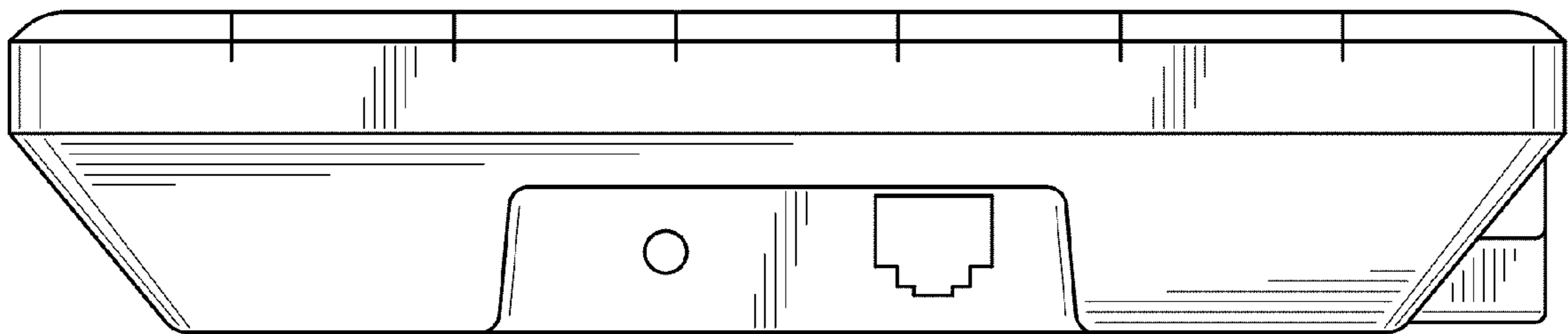


FIG.6

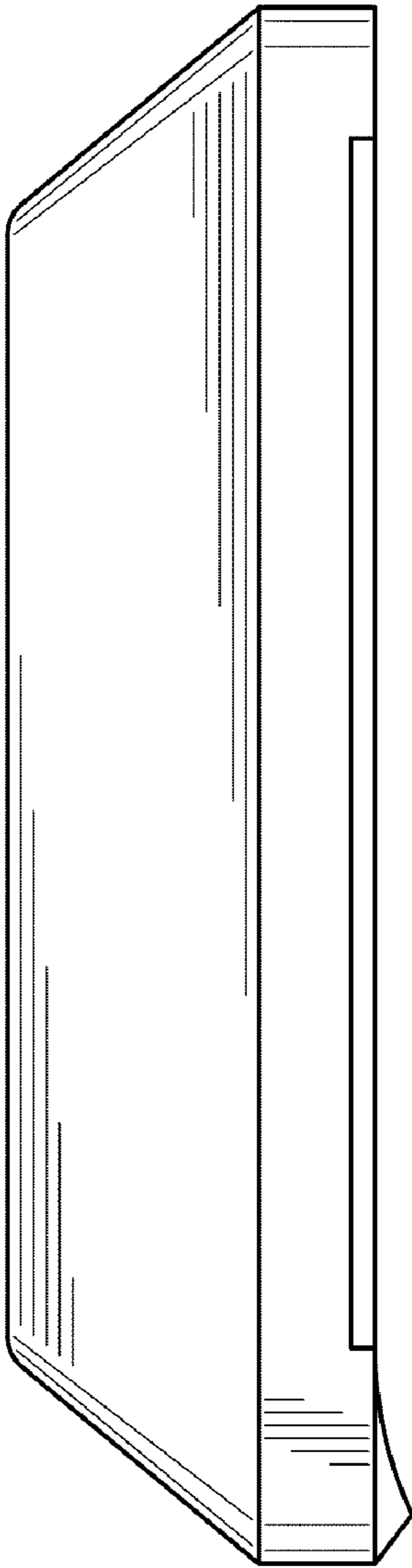


FIG. 7

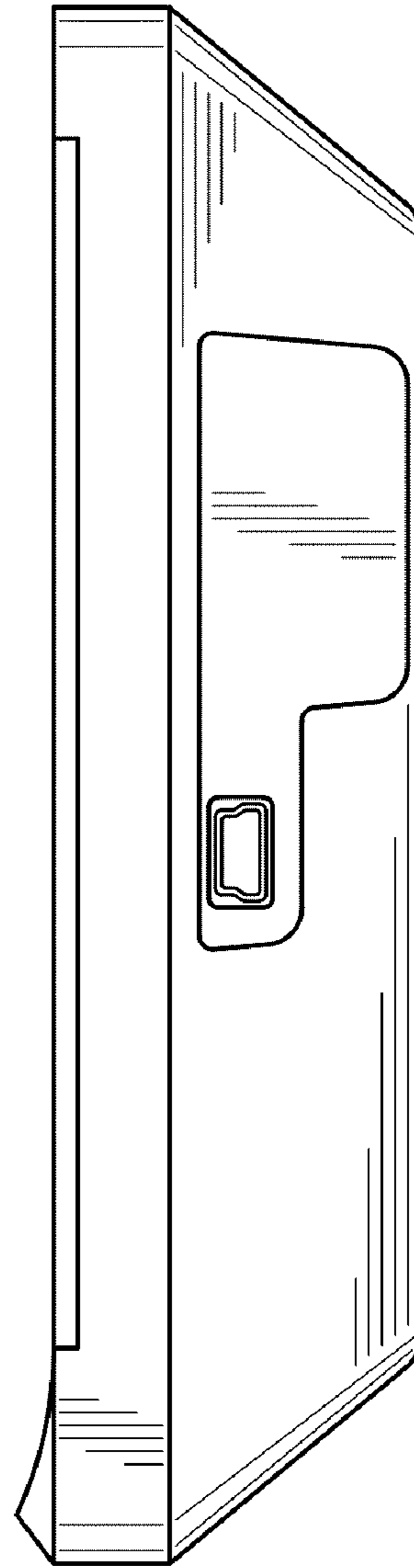


FIG. 8