



US00D645400S

(12) **United States Design Patent**
Chen

(10) **Patent No.:** **US D645,400 S**

(45) **Date of Patent:** **** Sep. 20, 2011**

(54) **SOLAR POWERED LANTERN CHARGING CASE**

D420,324 S * 2/2000 Wan D13/107
D516,501 S * 3/2006 Ware, Jr. D13/102
D530,052 S * 10/2006 Berti D32/53

* cited by examiner

(75) Inventor: **Chi Gon Chen**, Guang Zhou (CN)

Primary Examiner — Prabhakar Deshmukh

(73) Assignee: **International Development LLC**,
Roanoke, TX (US)

Assistant Examiner — Derrick Holland

(74) *Attorney, Agent, or Firm* — David W. Carstens; Jeffrey G. Degenfelder; Carstens & Cahoon, LLP

(**) Term: **14 Years**

(57) **CLAIM**

(21) Appl. No.: **29/321,188**

The ornamental design for a solar powered lantern charging case, as shown and described.

(22) Filed: **Jul. 11, 2008**

DESCRIPTION

(51) **LOC (9) Cl.** **13-02**

FIG. 1 is a front perspective view of the solar powered lantern charging case of the present invention in a closed position;

(52) **U.S. Cl.** **D13/102**

FIG. 2 is a rear perspective view thereof;

(58) **Field of Classification Search** D13/102,

FIG. 3 is a front elevation view thereof;

D13/103, 107, 184, 199; D9/418, 432, 530,

FIG. 4 is a left side elevation view, the right side elevation view being a mirror image thereof;

D9/560; D26/113, 119; D32/53; 136/206,

FIG. 5 is a rear elevation view thereof;

136/247, 251; 320/101, 115; 362/257, 266,

FIG. 6 is a top plan view thereof;

362/311.01

FIG. 7 is a bottom plan view thereof;

See application file for complete search history.

FIG. 8 is a front perspective view of the solar powered lantern charging case of the present invention in an opened position;

(56) **References Cited**

and,

FIG. 9 is a front elevation view thereof.

U.S. PATENT DOCUMENTS

The broken lines shown represent unclaimed subject matter and form no part of the claimed design.

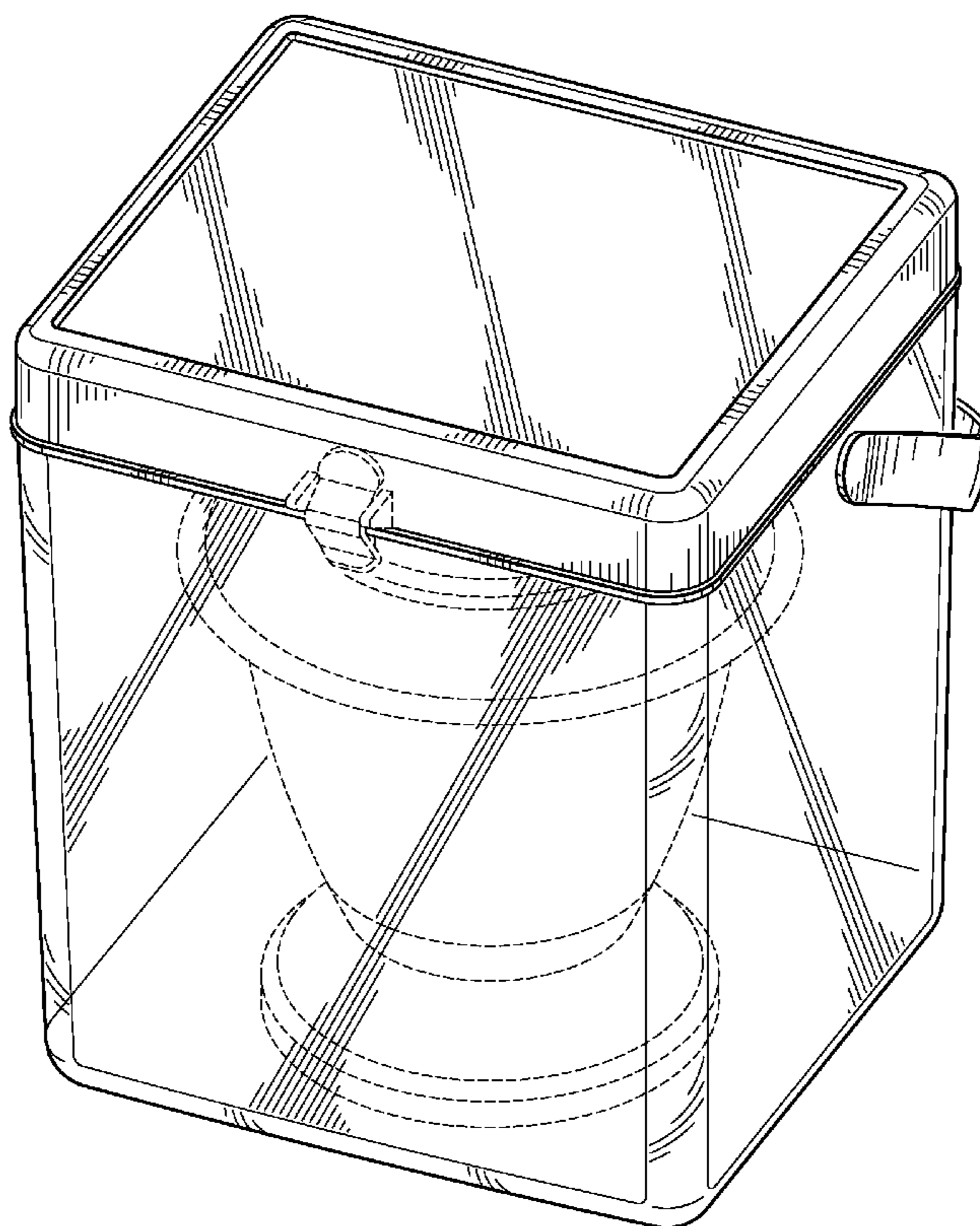
D295,093 S * 4/1988 Tapdrup D32/53

D295,094 S * 4/1988 Tapdrup D32/53

D303,651 S * 9/1989 Strumor D13/102

D397,470 S * 8/1998 Bassford et al. D26/67

1 Claim, 8 Drawing Sheets



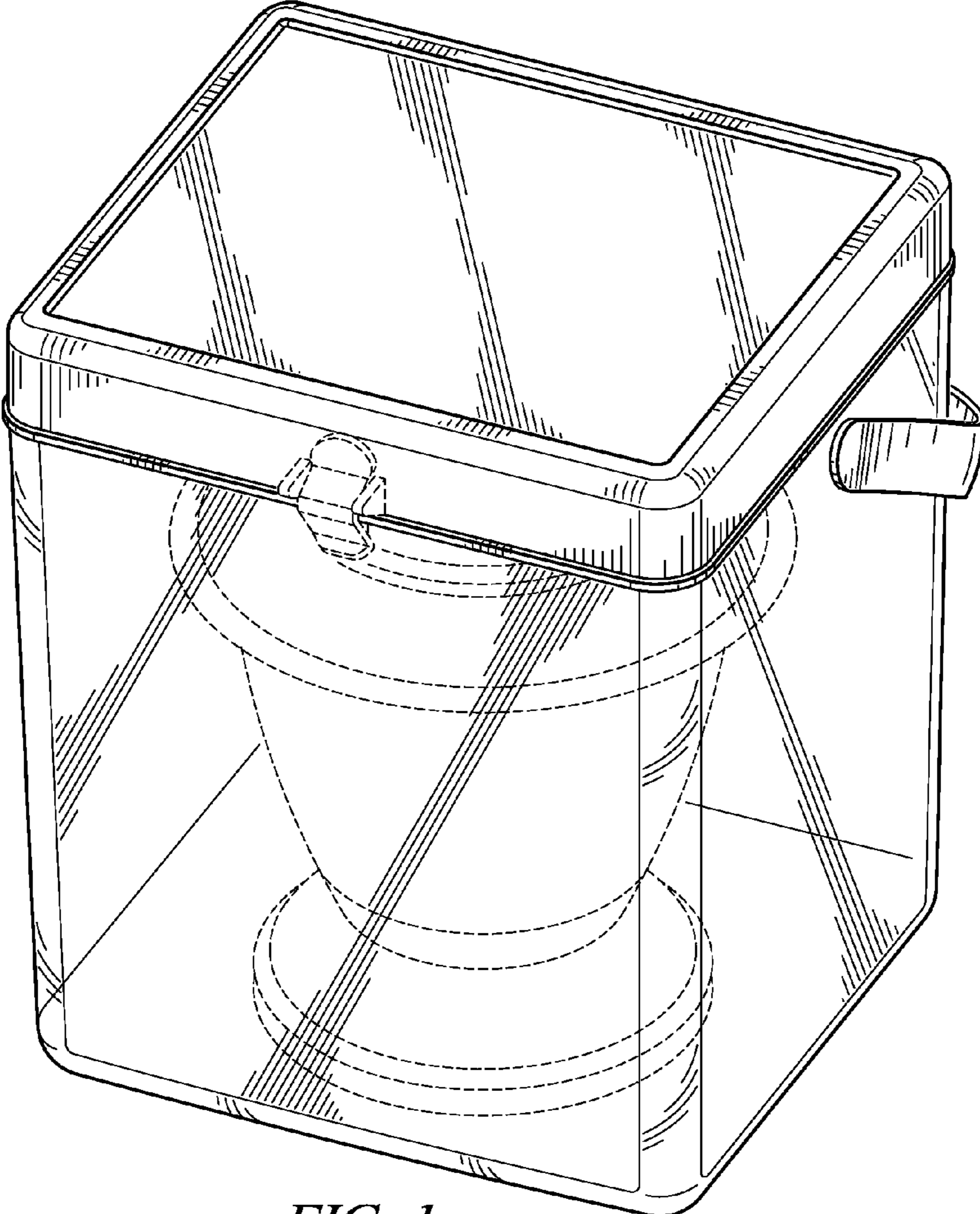


FIG. 1

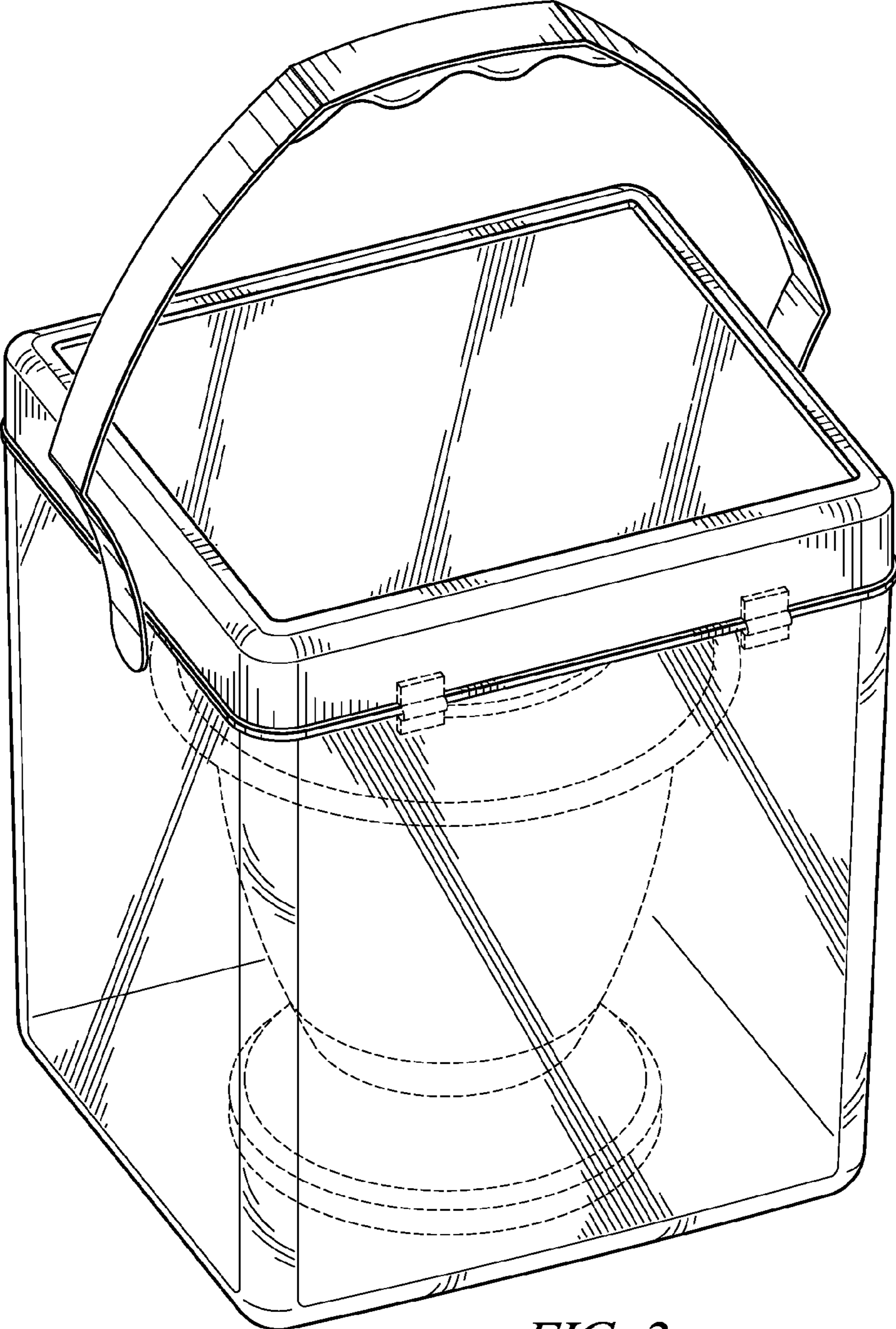


FIG. 2

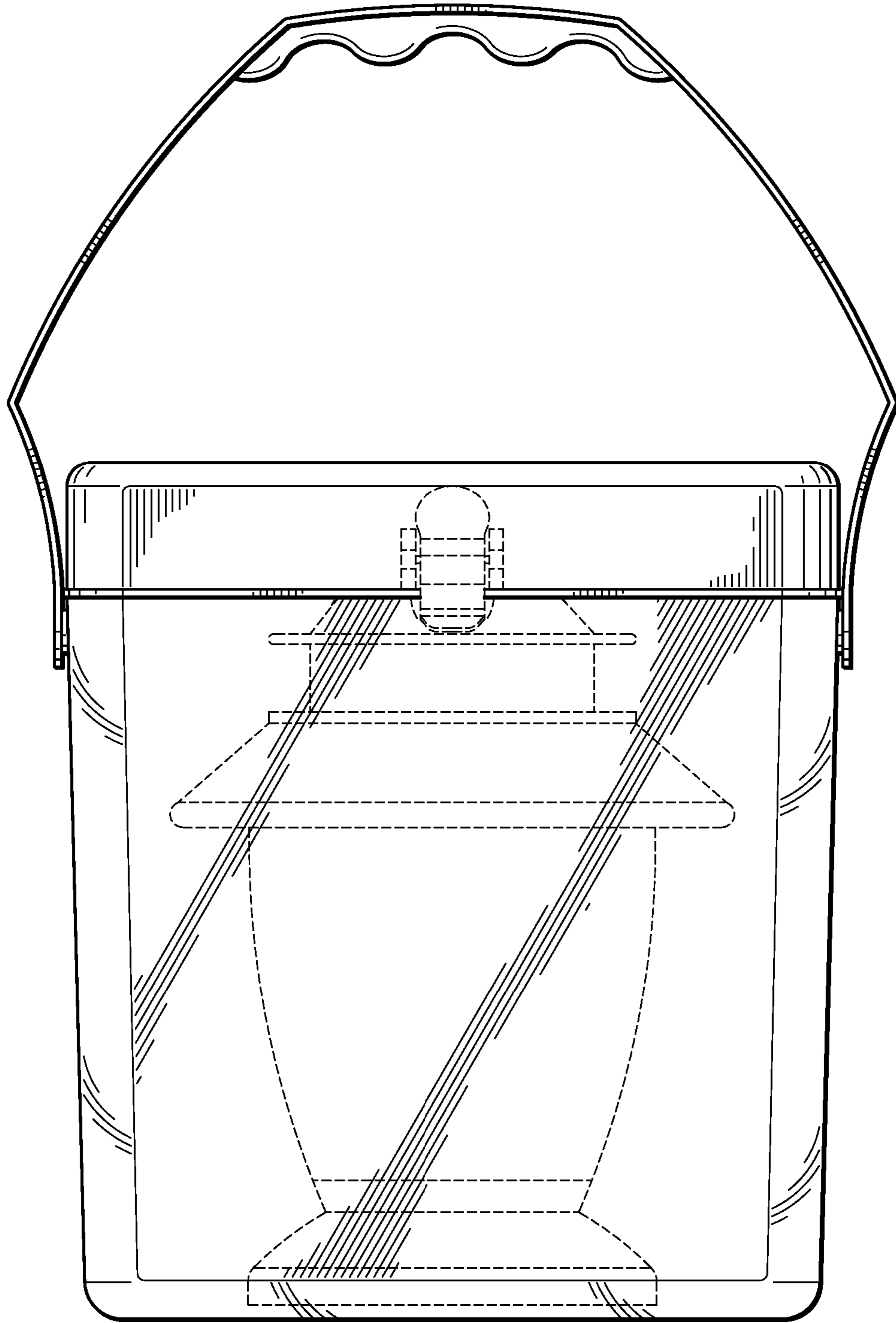


FIG. 3

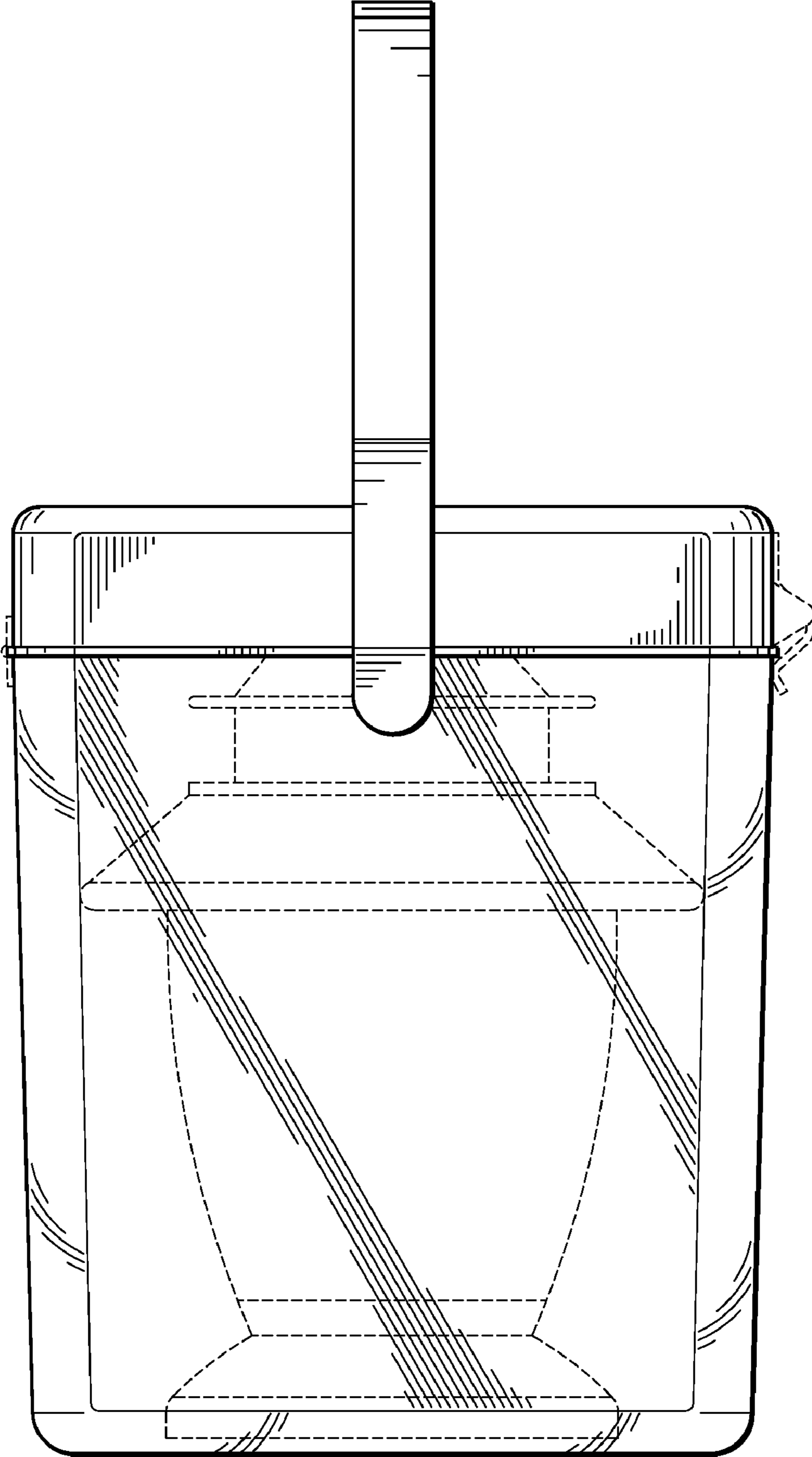


FIG. 4

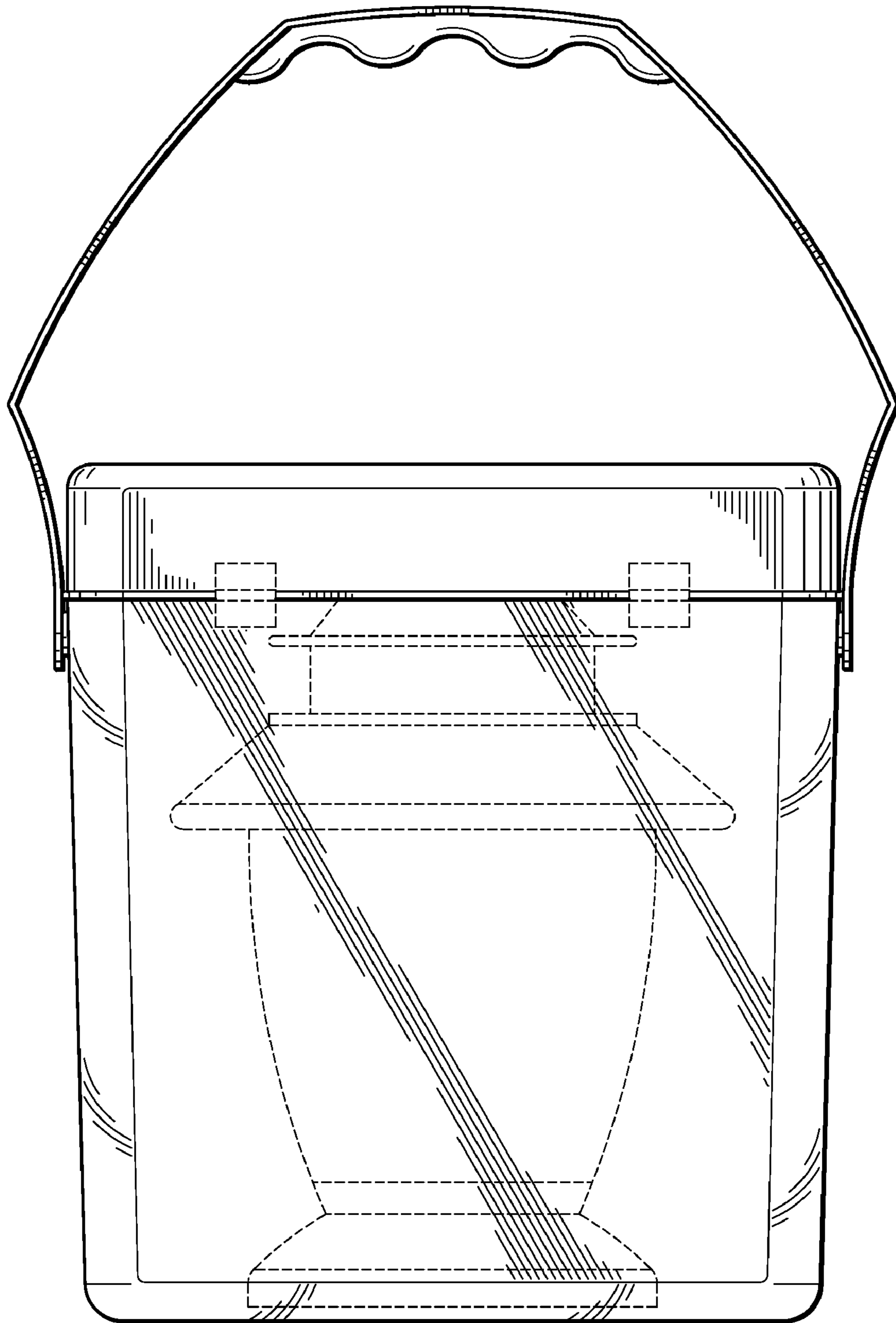


FIG. 5

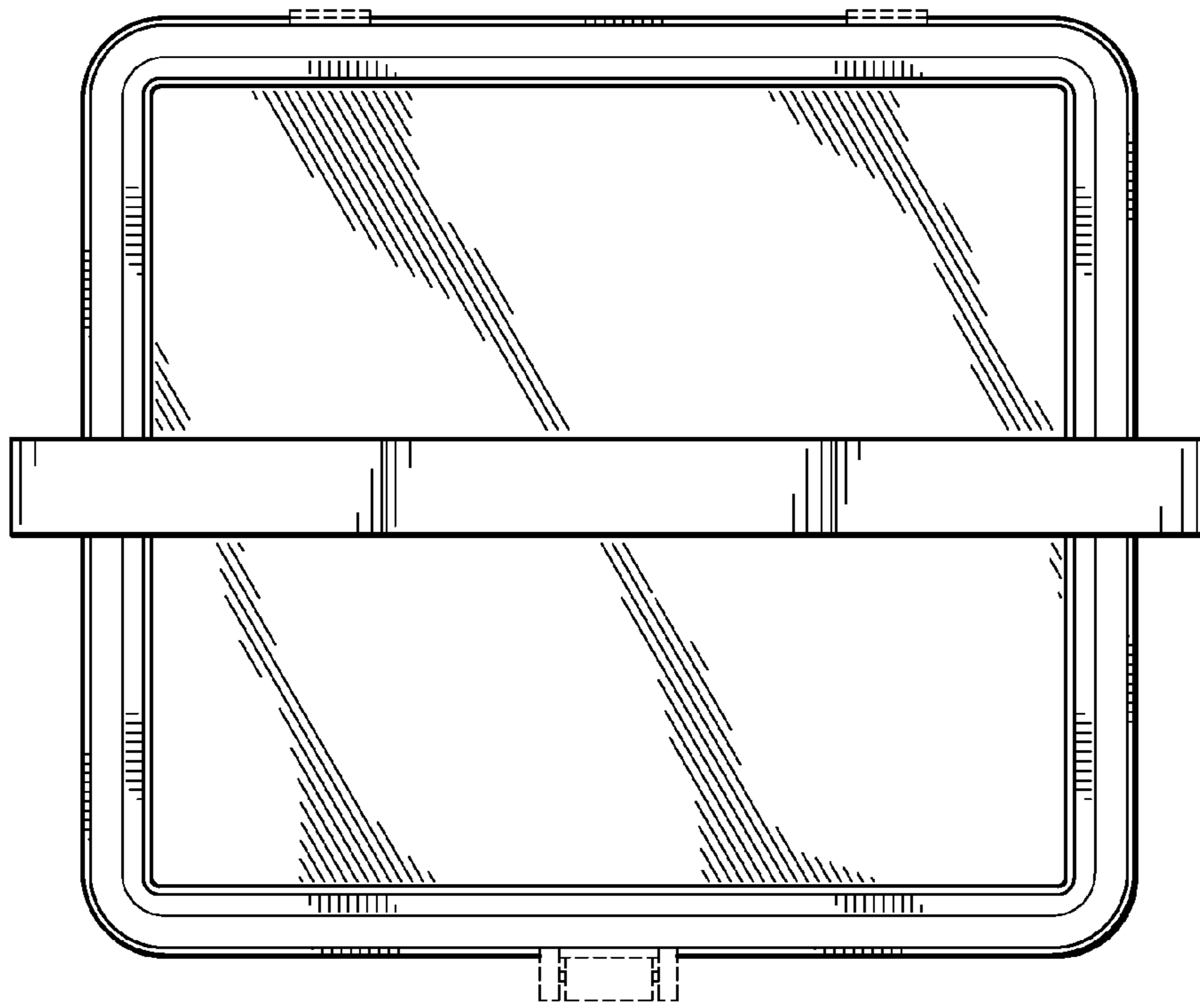


FIG. 6

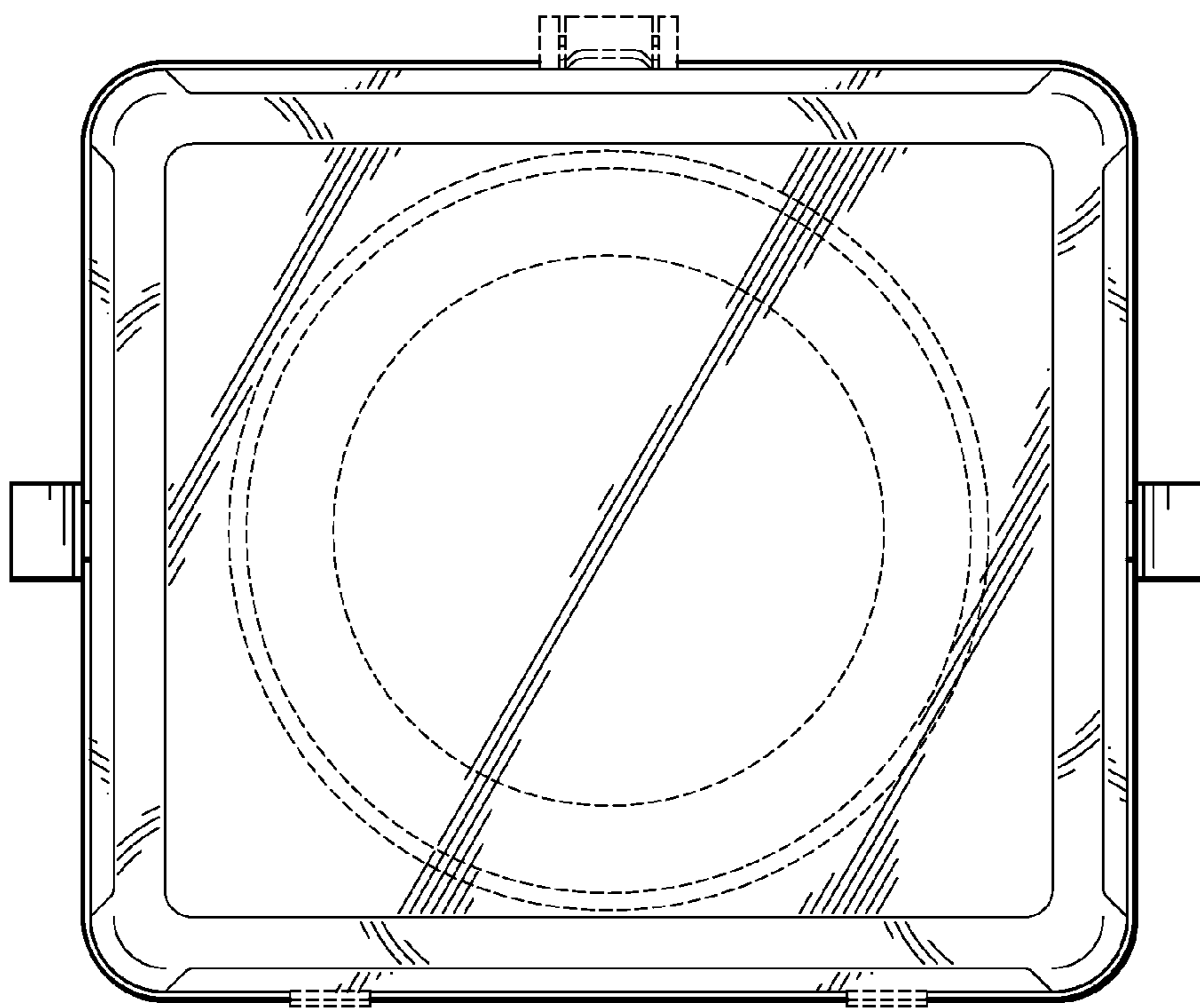


FIG. 7

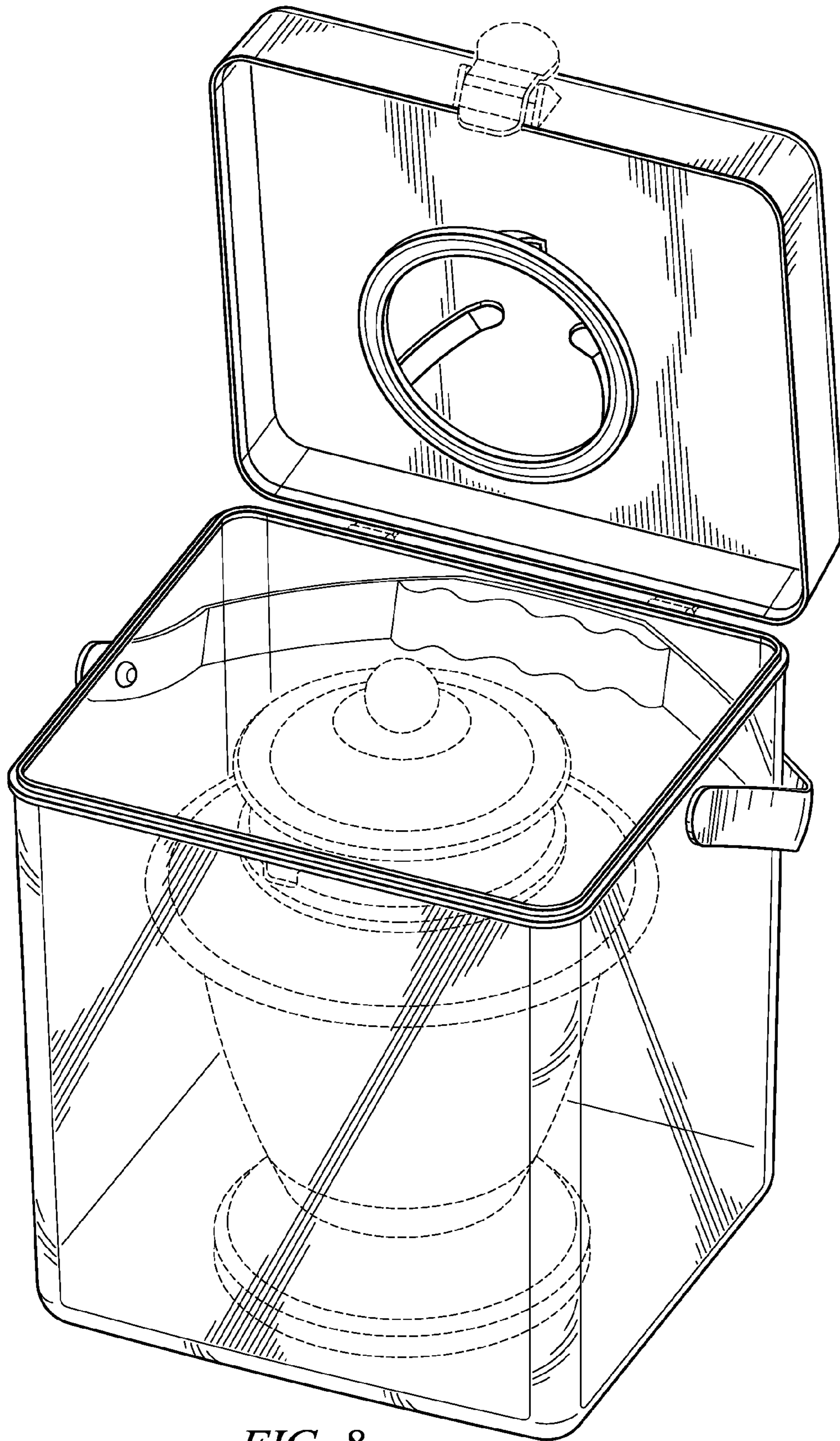


FIG. 8

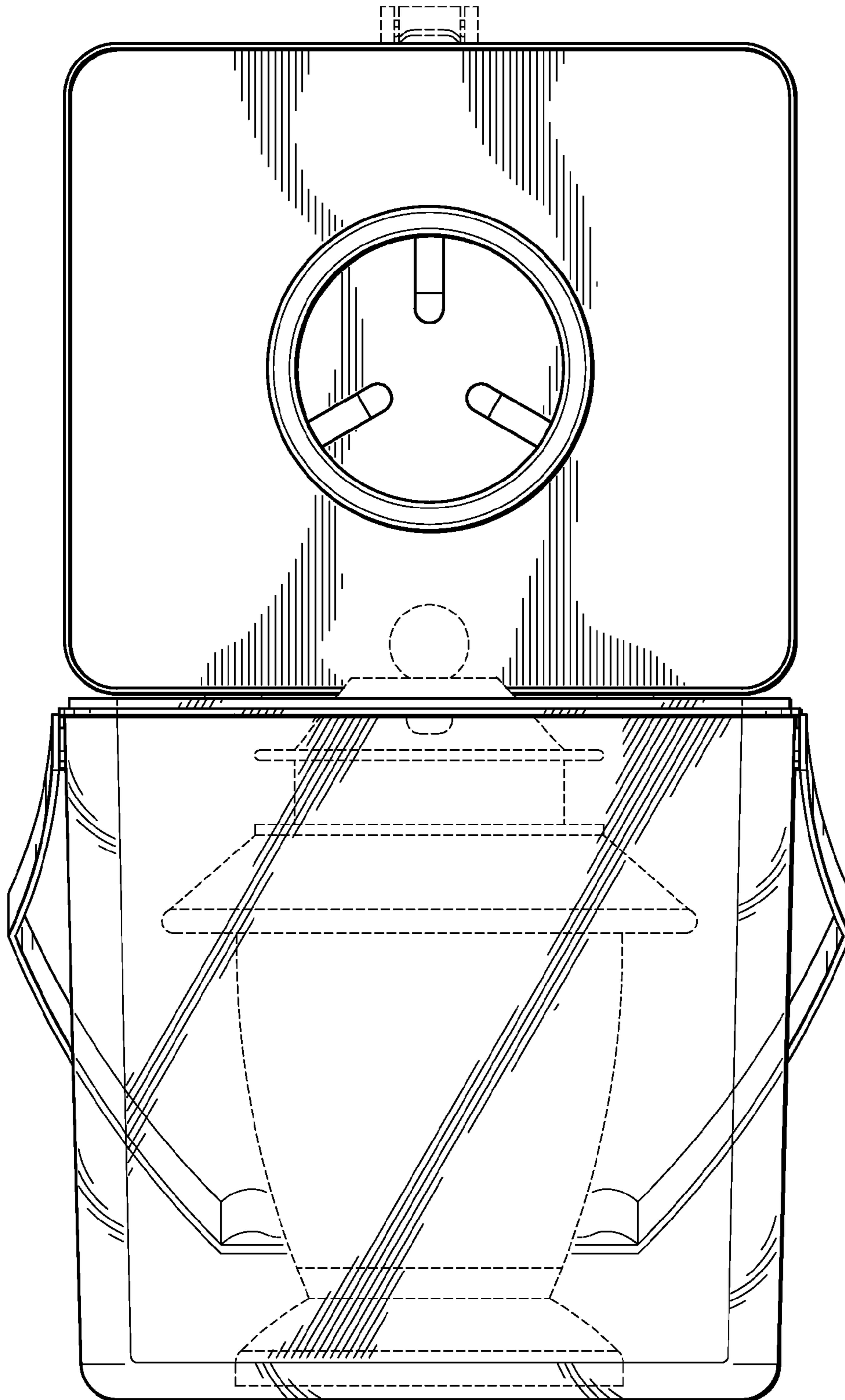


FIG. 9