



US00D645396S

(12) **United States Design Patent**
Jacobs et al.

(10) **Patent No.:** **US D645,396 S**

(45) **Date of Patent:** **** Sep. 20, 2011**

(54) **TIRE TREAD**

(75) Inventors: **Jeremy J. Jacobs**, Findlay, OH (US);
Christopher D. Grote, Findlay, OH (US)

(73) Assignee: **Cooper Tire & Rubber Company**, Findlay, OH (US)

(**) Term: **14 Years**

(21) Appl. No.: **29/373,062**

(22) Filed: **Feb. 24, 2011**

(51) **LOC (9) Cl.** **12-15**

(52) **U.S. Cl.** **D12/600**

(58) **Field of Classification Search** D12/568-603,
D12/900-901, 564-567; 152/209.1-209.28,
152/455

See application file for complete search history.

(56) **References Cited**

U.S. PATENT DOCUMENTS

D458,584 S * 6/2002 Young et al. D12/600
D537,032 S * 2/2007 Lebreton D12/600

D609,165 S * 2/2010 Fujioka D12/579
D609,174 S * 2/2010 Cai D12/600
D615,485 S * 5/2010 Hamada D12/600
D617,262 S * 6/2010 Tobino D12/601
D628,958 S * 12/2010 Fleckner D12/600
D629,351 S * 12/2010 Jacobs D12/600

* cited by examiner

Primary Examiner — Stacia Cadmus

(74) *Attorney, Agent, or Firm* — Emch, Schaffer, Schaub & Porcello

(57) **CLAIM**

An ornamental design for a tire tread, as shown and described.

DESCRIPTION

FIG. 1 is a perspective view of the pneumatic radial tire in accordance with the invention;

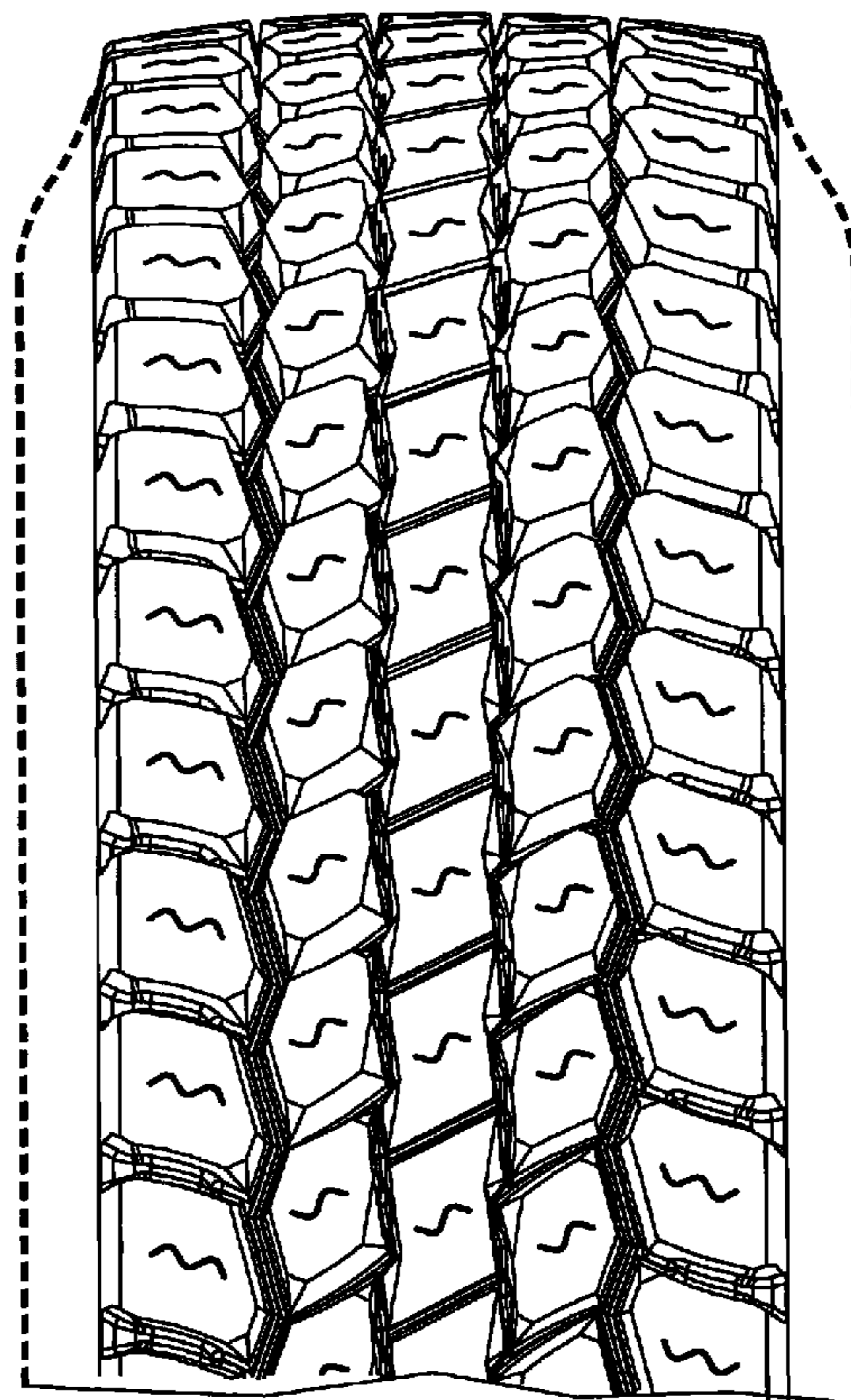
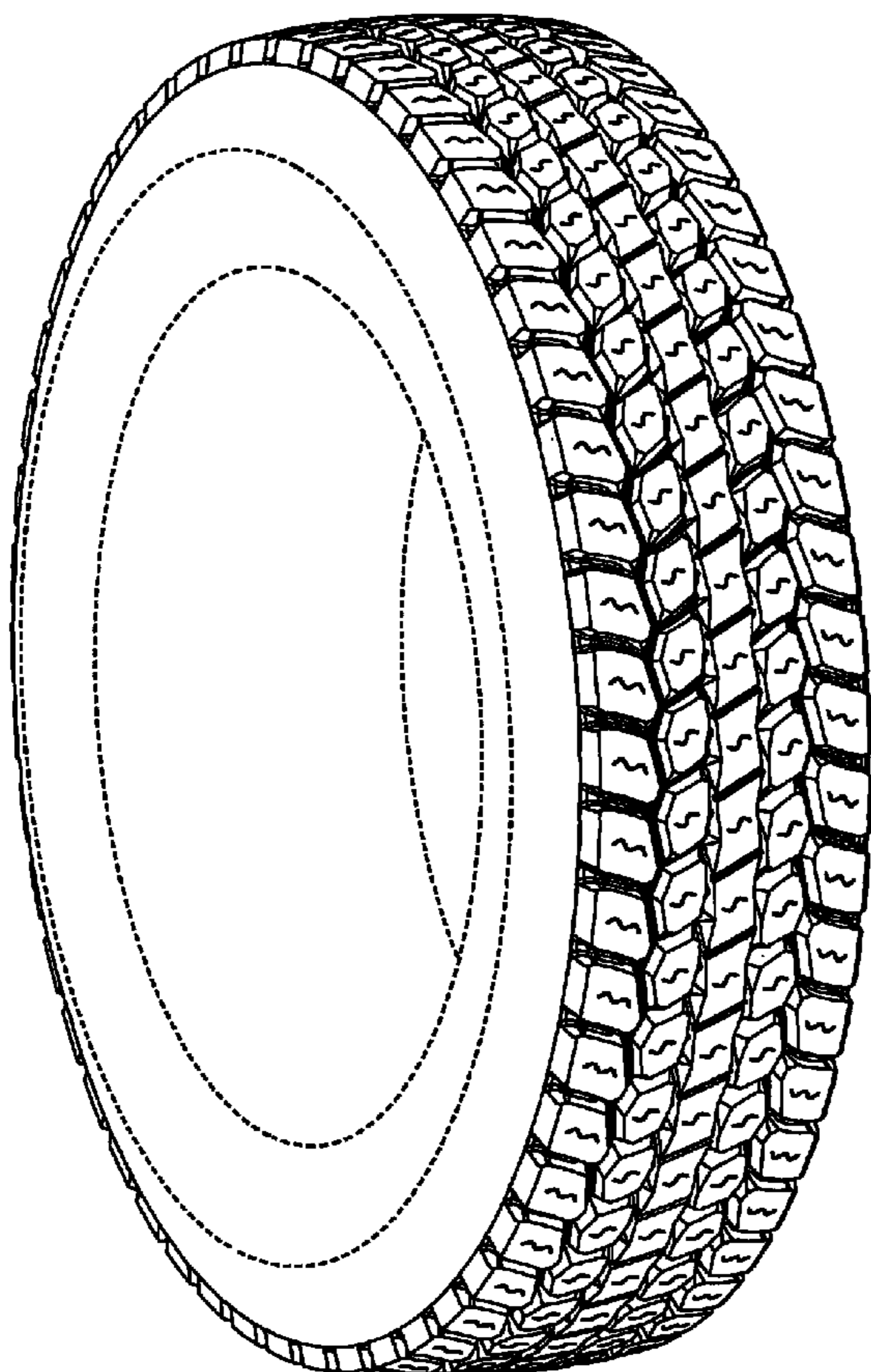
FIG. 2 is a front view thereof;

FIG. 3 is a side view thereof; and,

FIG. 4 is an enlarged partial front view thereof.

The broken lines showing of the sidewall and inner bead is included for the purpose of illustrating environment and forms no part of the claim design.

1 Claim, 4 Drawing Sheets



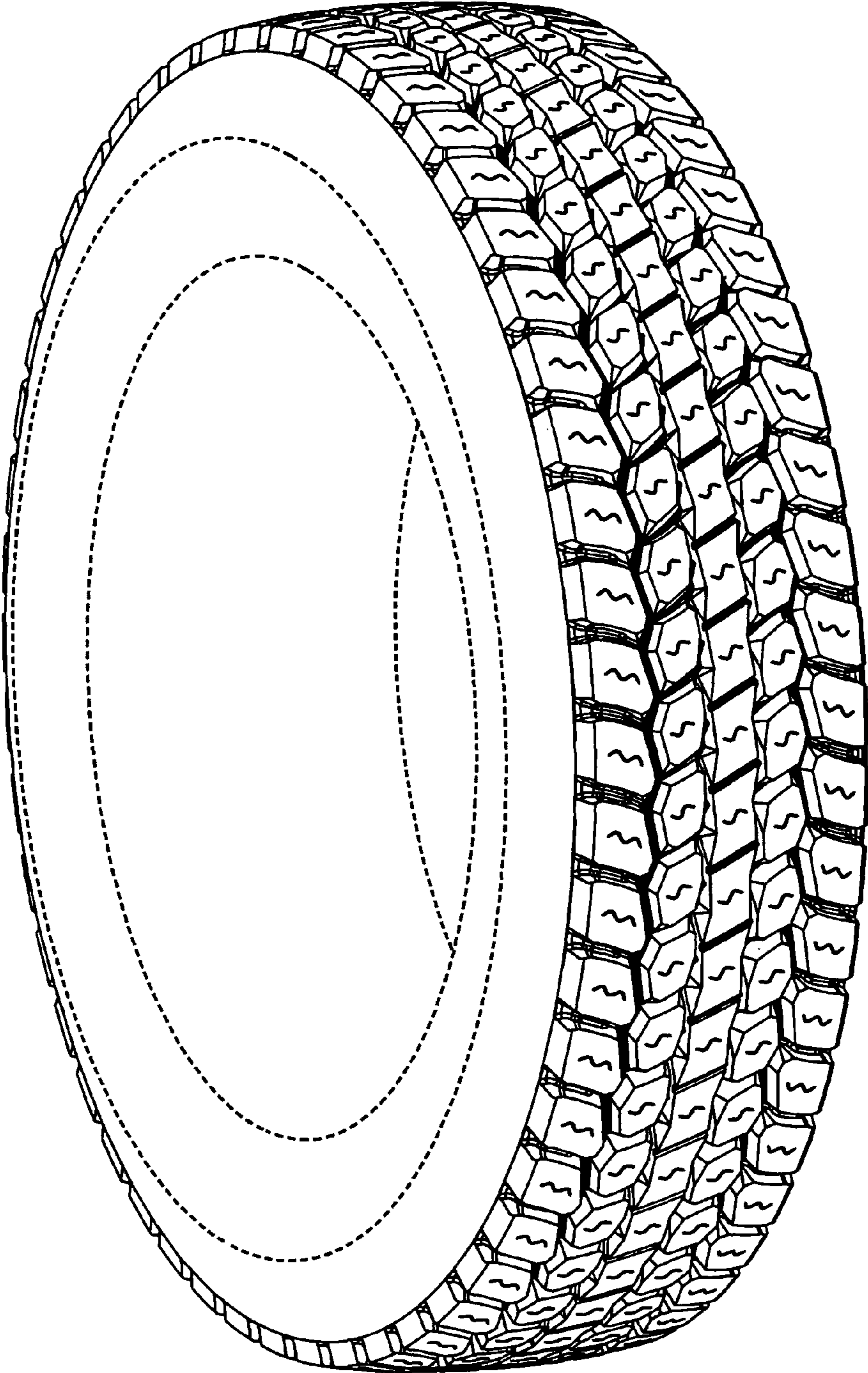


FIG. 1

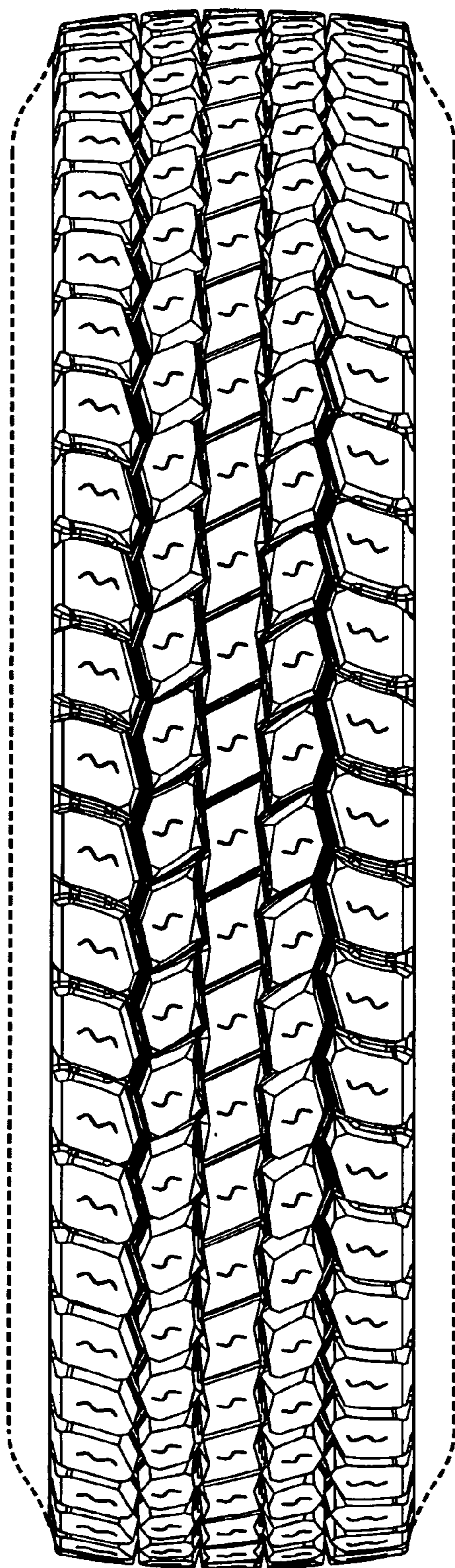


FIG. 2

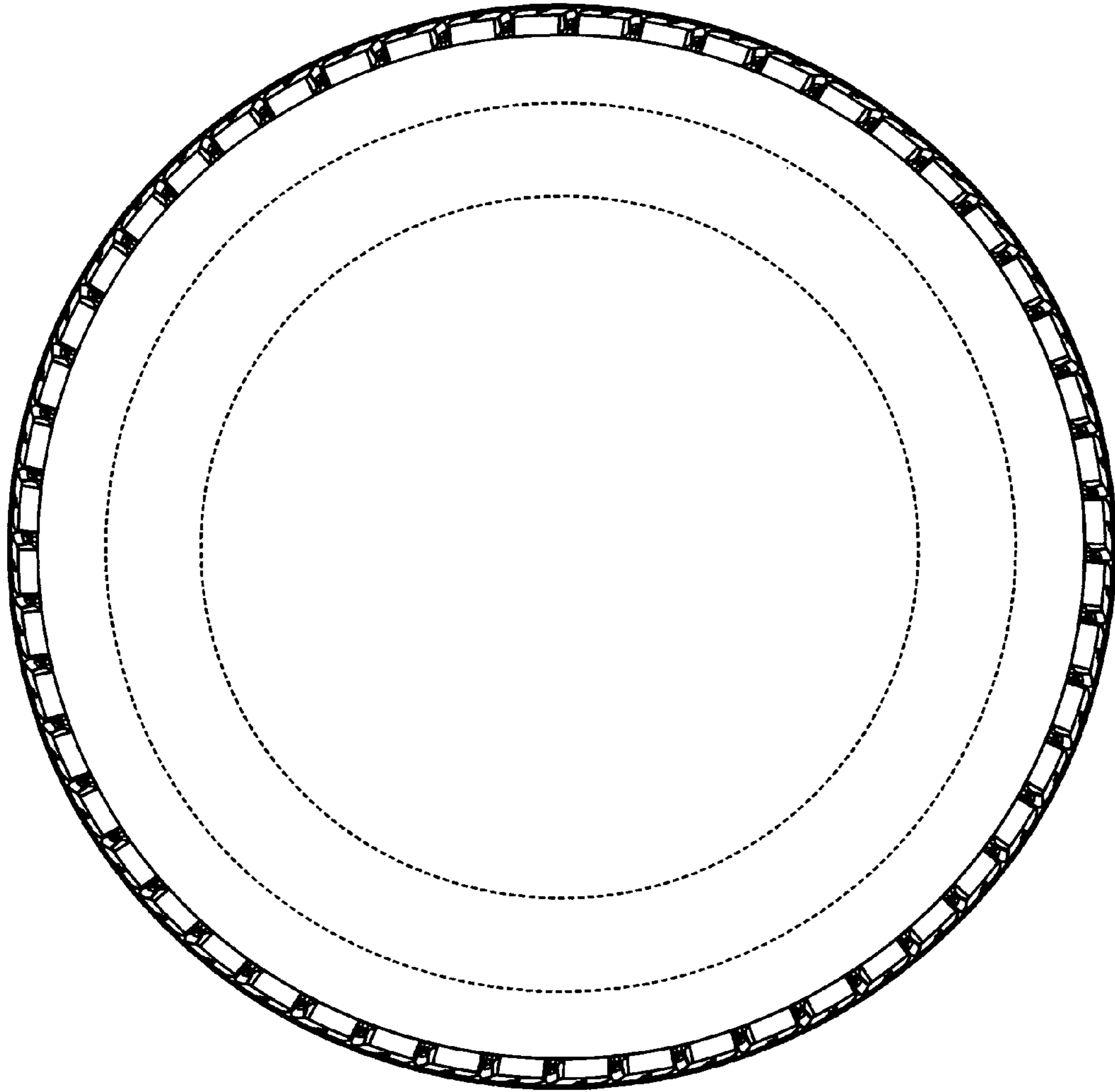


FIG. 3

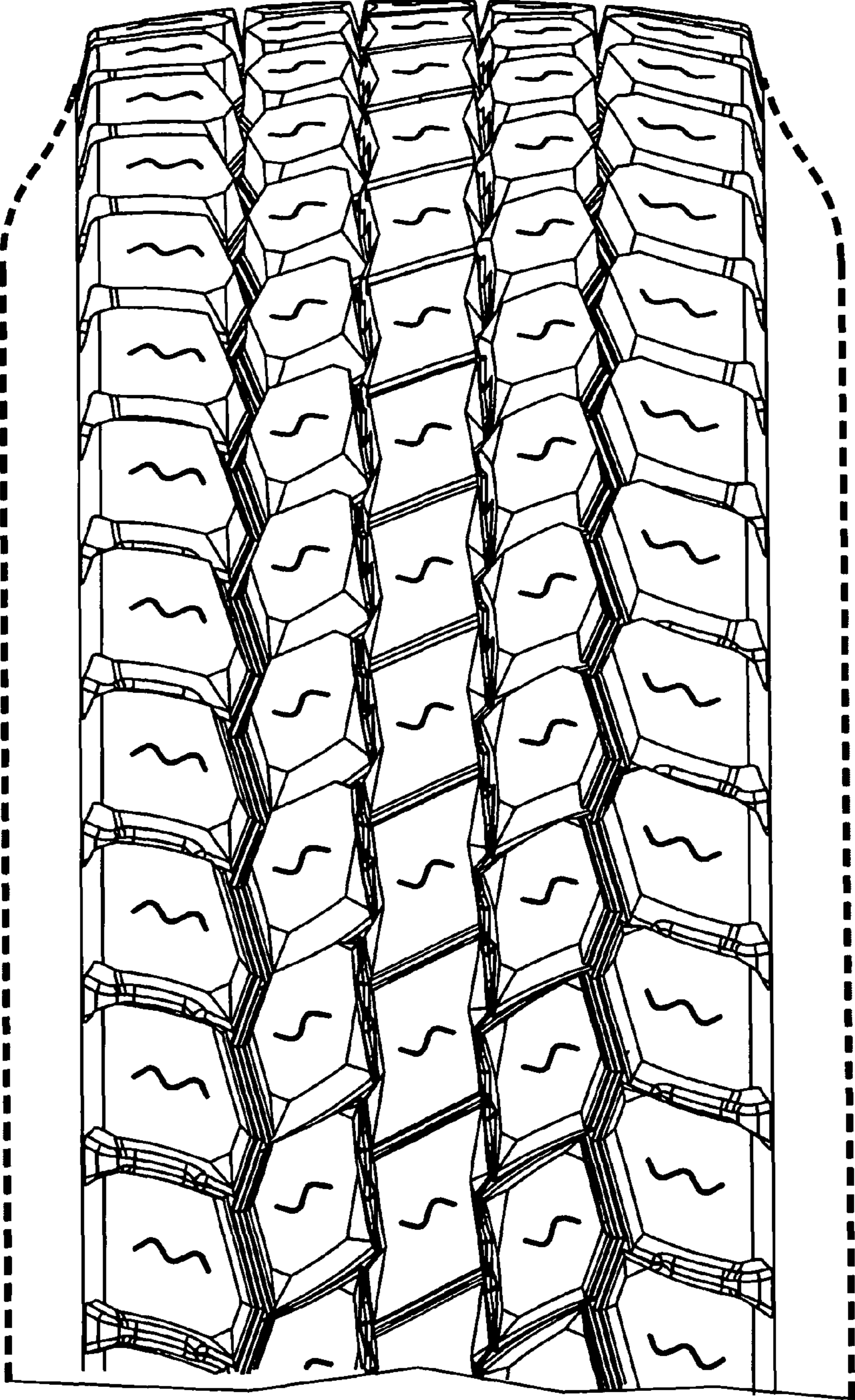


FIG. 4