



US00D645391S

(12) **United States Design Patent**
Weil

(10) **Patent No.:** **US D645,391 S**

(45) **Date of Patent:** **** Sep. 20, 2011**

(54) **WHEEL OR WHEEL COVER**

(75) Inventor: **Christopher Weil**, Munich (DE)

(73) Assignee: **Bayerische Motoren Werke Aktiengesellschaft**, Munich (DE)

(**) Term: **14 Years**

(21) Appl. No.: **29/371,126**

(22) Filed: **Oct. 27, 2010**

(30) **Foreign Application Priority Data**

Apr. 28, 2010 (DE) 40 2010 002 511

(51) **LOC (9) Cl.** **12-16**

(52) **U.S. Cl.** **D12/209**

(58) **Field of Classification Search** D12/204-213;
301/37.101, 64.101, 65, 64.201
See application file for complete search history.

(56) **References Cited**

U.S. PATENT DOCUMENTS

D407,364 S	3/1999	Fisker	
D469,048 S *	1/2003	van Hooydonk	D12/209
D476,938 S *	7/2003	Hatori	D12/209
D480,343 S *	10/2003	Oh	D12/209
D494,524 S	8/2004	Rice	
D504,648 S *	5/2005	Pfeiffer	D12/209
D522,949 S	6/2006	Elmitt	
D531,565 S *	11/2006	Pfeiffer	D12/211
D535,238 S *	1/2007	Kim	D12/209
D538,216 S	3/2007	Sycha	
D543,493 S *	5/2007	Kim	D12/209

D582,331 S *	12/2008	Blasi	D12/209
D587,180 S *	2/2009	Pfeiffer	D12/209
D594,396 S *	6/2009	Juergens et al.	D12/209
D601,074 S *	9/2009	Buschmann	D12/209
D614,107 S	4/2010	Juergens et al.	
D617,712 S	6/2010	Juergens et al.	
D630,564 S	1/2011	Baum	
D635,904 S *	4/2011	Futschik et al.	D12/209

FOREIGN PATENT DOCUMENTS

DE	M9701285.8	6/1997
EM	000090204-0006	2/2004
EM	000273651-0002	3/2005
EM	000577945-0002	9/2006
EM	001598277-0008	1/2010
EM	001636978-0003	11/2010
EM	001714668-0002	1/2011

* cited by examiner

Primary Examiner — Stacia Cadmus

(74) *Attorney, Agent, or Firm* — Crowell & Moring LLP

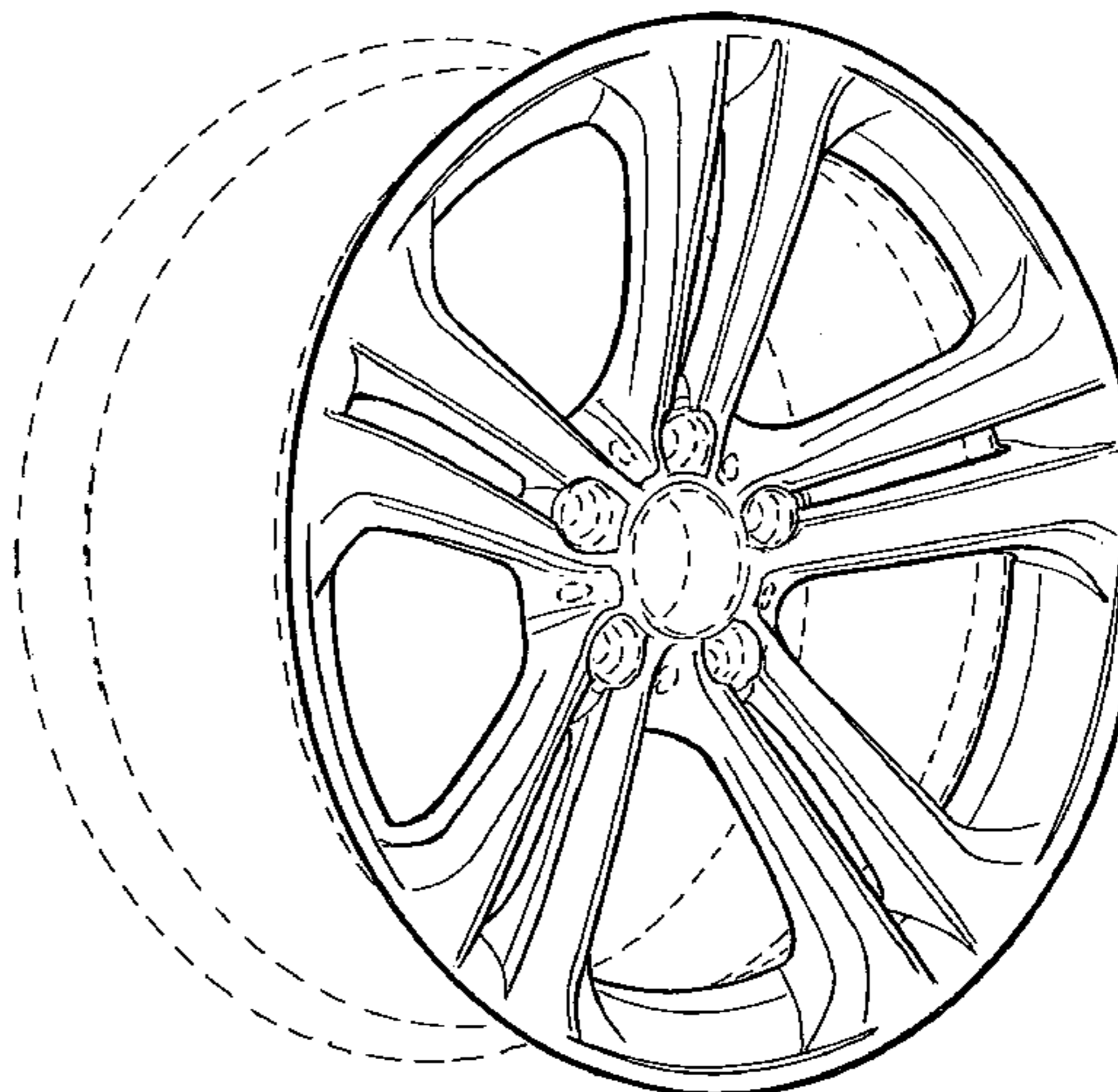
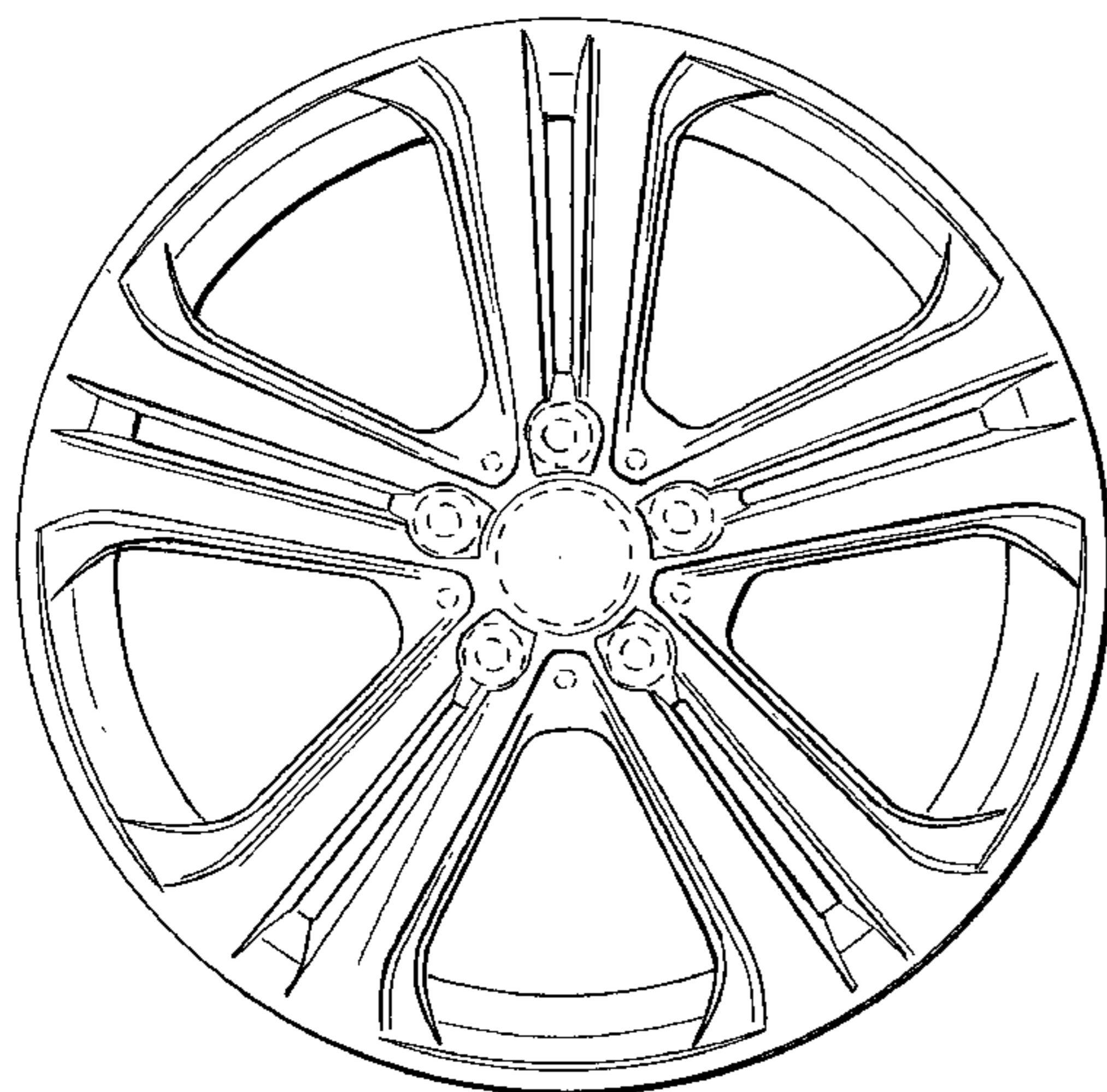
(57) **CLAIM**

The ornamental design for a wheel or wheel cover, as shown and described.

DESCRIPTION

FIG. 1 is a front view of a wheel or wheel cover according to my design; and,
FIG. 2 is a perspective view thereof.
The broken line showing of the rear of the wheel and the bolt holes and the center hole in the central hub area is included for the purpose of illustrating environment and forms no part of the claimed design.

1 Claim, 1 Drawing Sheet



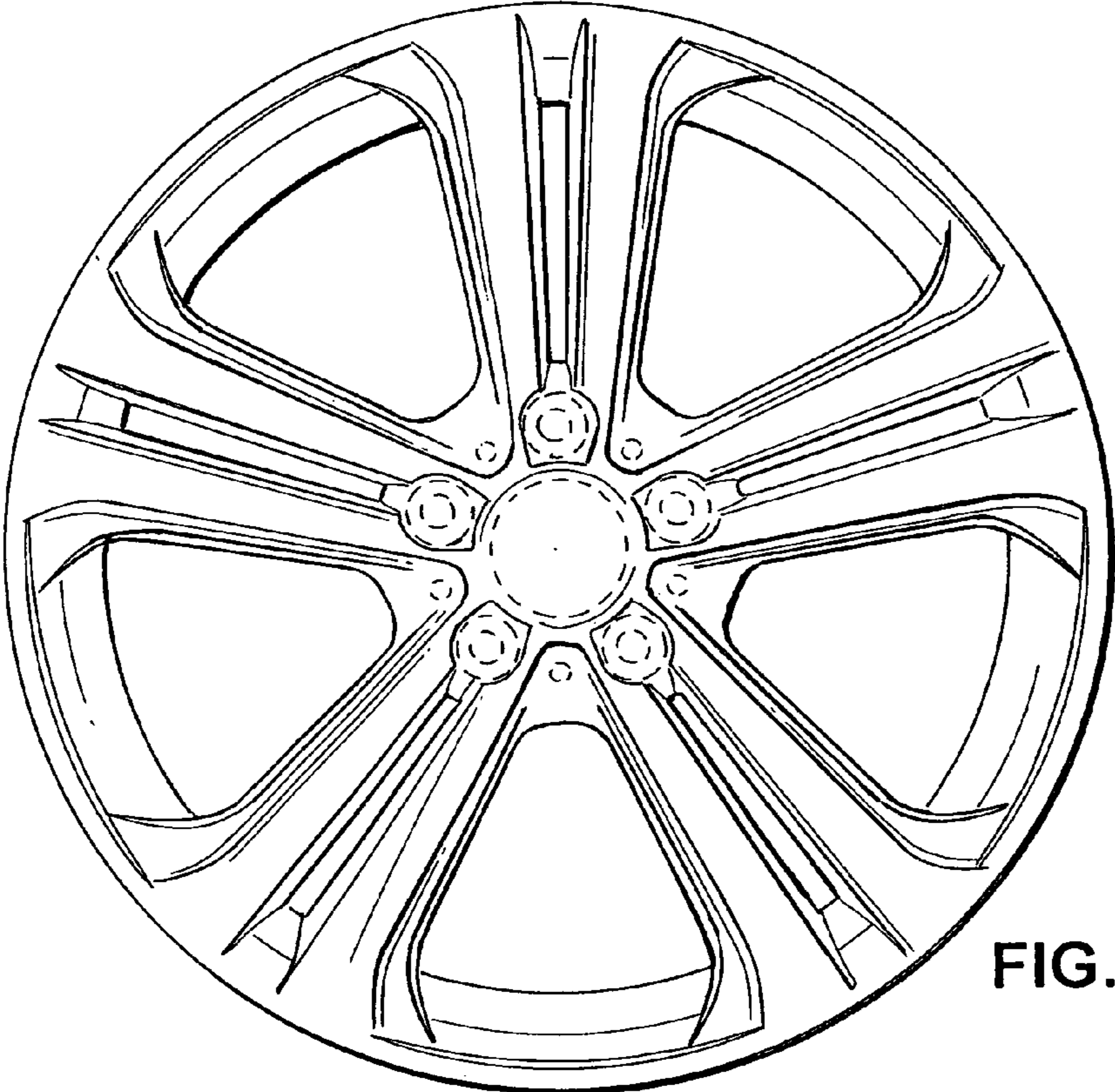


FIG. 1

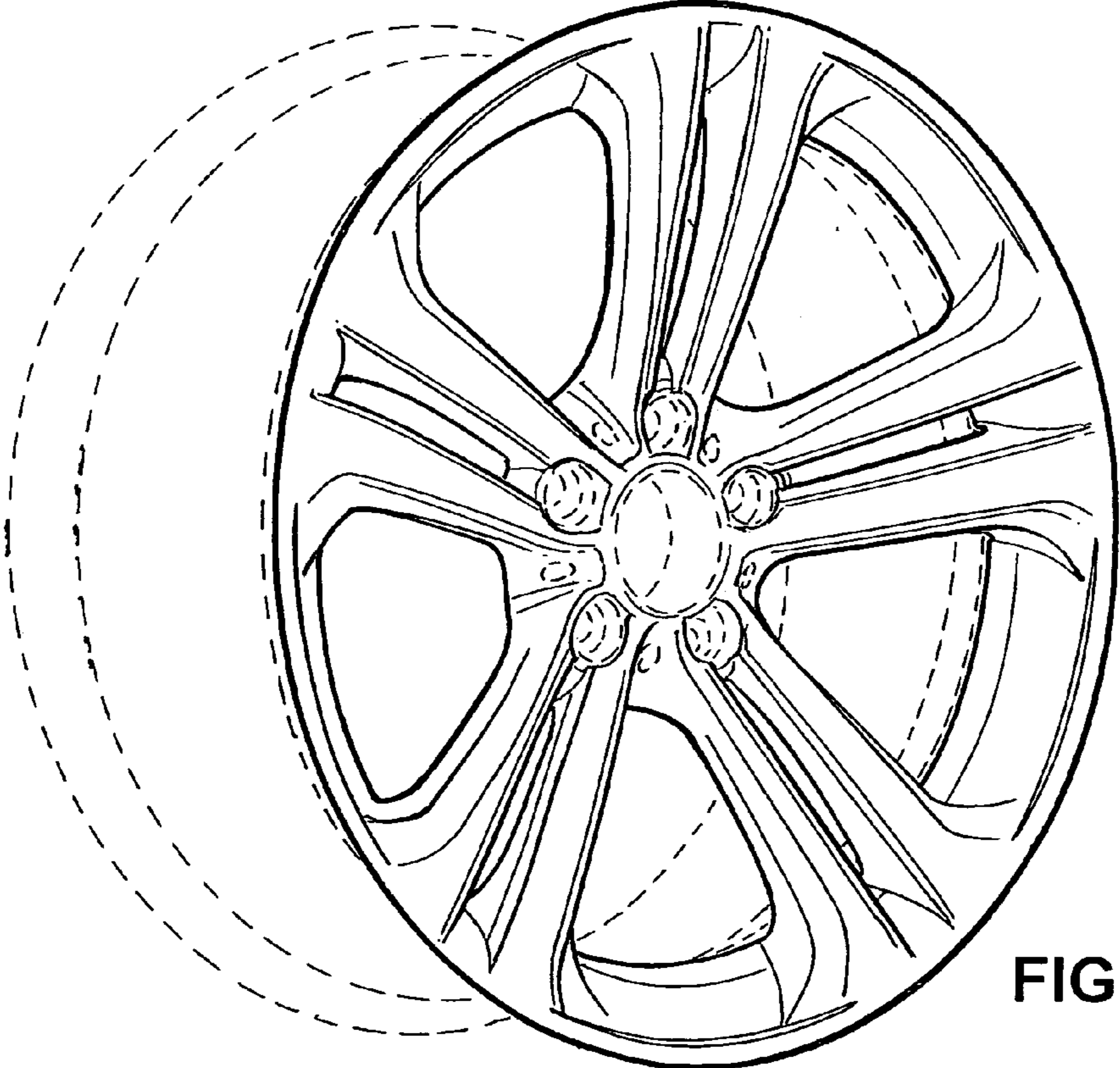


FIG. 2