



US00D645389S

(12) **United States Design Patent**  
**Nissl**

(10) **Patent No.:** **US D645,389 S**

(45) **Date of Patent:** **\*\* Sep. 20, 2011**

(54) **WHEEL OR WHEEL COVER**

(75) **Inventor:** **Florian Dieter Nissl, Munich (DE)**

(73) **Assignee:** **Bayerische Motoren Werke  
Aktiengesellschaft, Munich (DE)**

(\*\*) **Term:** **14 Years**

(21) **Appl. No.:** **29/347,270**

(22) **Filed:** **Nov. 19, 2009**

(30) **Foreign Application Priority Data**

May 20, 2009 (DE) ..... 402009002602

(51) **LOC (9) Cl.** ..... **12-16**

(52) **U.S. Cl.** ..... **D12/209**

(58) **Field of Classification Search** ..... D12/204-213;  
301/37.101, 64.101, 65, 64.201  
See application file for complete search history.

(56) **References Cited**

**U.S. PATENT DOCUMENTS**

D478,307 S *	8/2003	Maifrini	.....	D12/211
D483,714 S	12/2003	Warming		
D522,432 S *	6/2006	Pfeiffer	.....	D12/209
D522,949 S	6/2006	Elmitt		
D530,257 S *	10/2006	Pfeiffer	.....	D12/211
D551,609 S	9/2007	Hettler		
D563,306 S	3/2008	Schweizer		
D567,167 S	4/2008	Forster		
D589,428 S *	3/2009	Scheu	.....	D12/211
D590,314 S *	4/2009	Hettler	.....	D12/209
D594,396 S	6/2009	Juergens et al.		
D598,836 S *	8/2009	Blasi	.....	D12/211
D620,417 S *	7/2010	Gallert	.....	D12/209
D625,235 S *	10/2010	Nissl	.....	D12/209
D627,287 S *	11/2010	Gallert	.....	D12/209

**FOREIGN PATENT DOCUMENTS**

DE	40010998.0	3/2001
DE	40202745.0	7/2002
EM	000090410-0003	3/2004
EM	000255609-0004	2/2005
EM	000273651-0002	3/2005
EM	000510698-0002	6/2006
EM	000735758-0006	7/2007
EM	000689344-0001	1/2008
EM	000863055-0001	3/2008
EM	000825609-0003	11/2009
EM	001036552-0003	11/2009
EM	001598277-0002	1/2010
EM	001598277-0010	1/2010

\* cited by examiner

*Primary Examiner* — Stacia Cadmus

(74) *Attorney, Agent, or Firm* — Crowell & Moring LLP

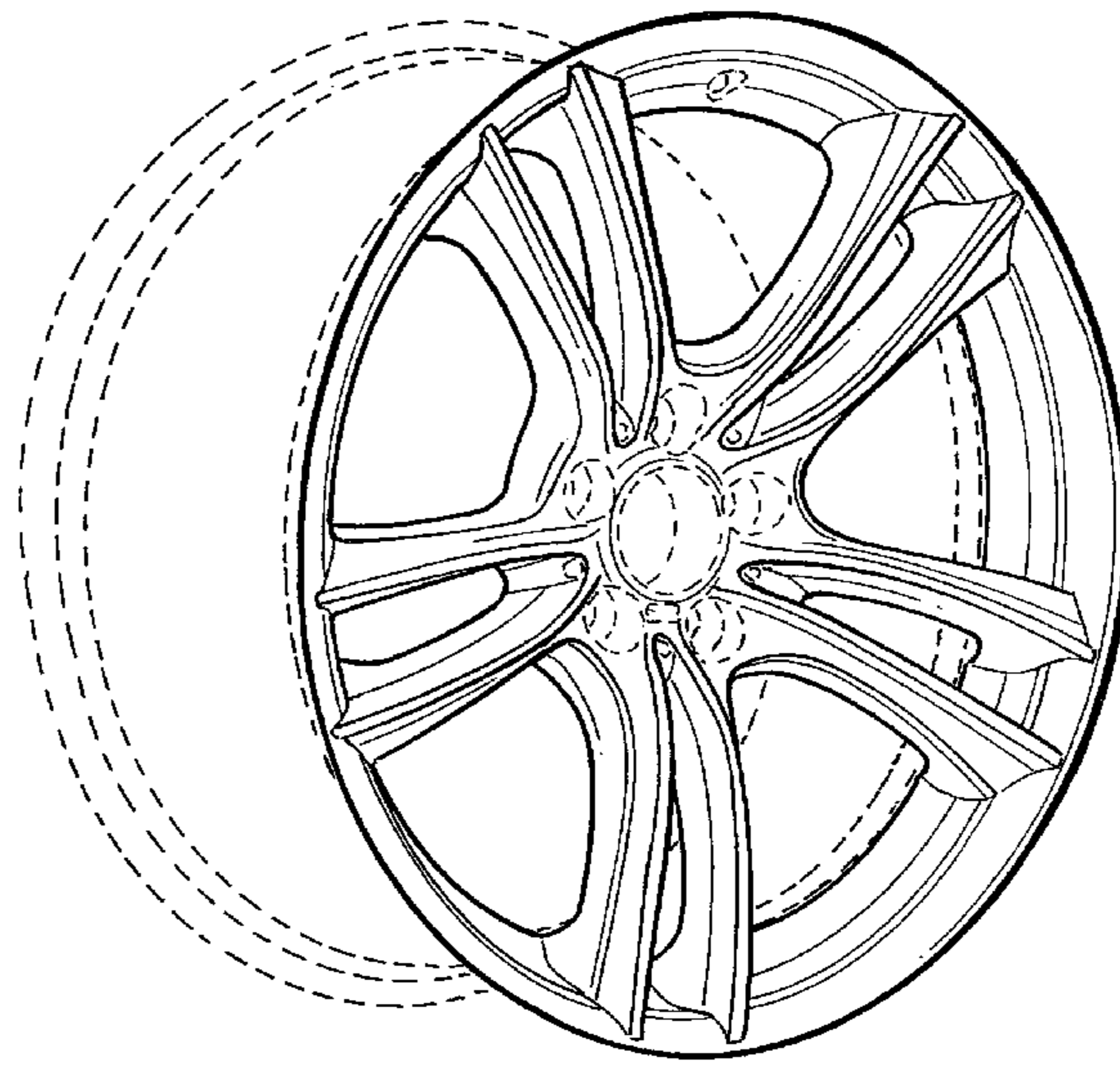
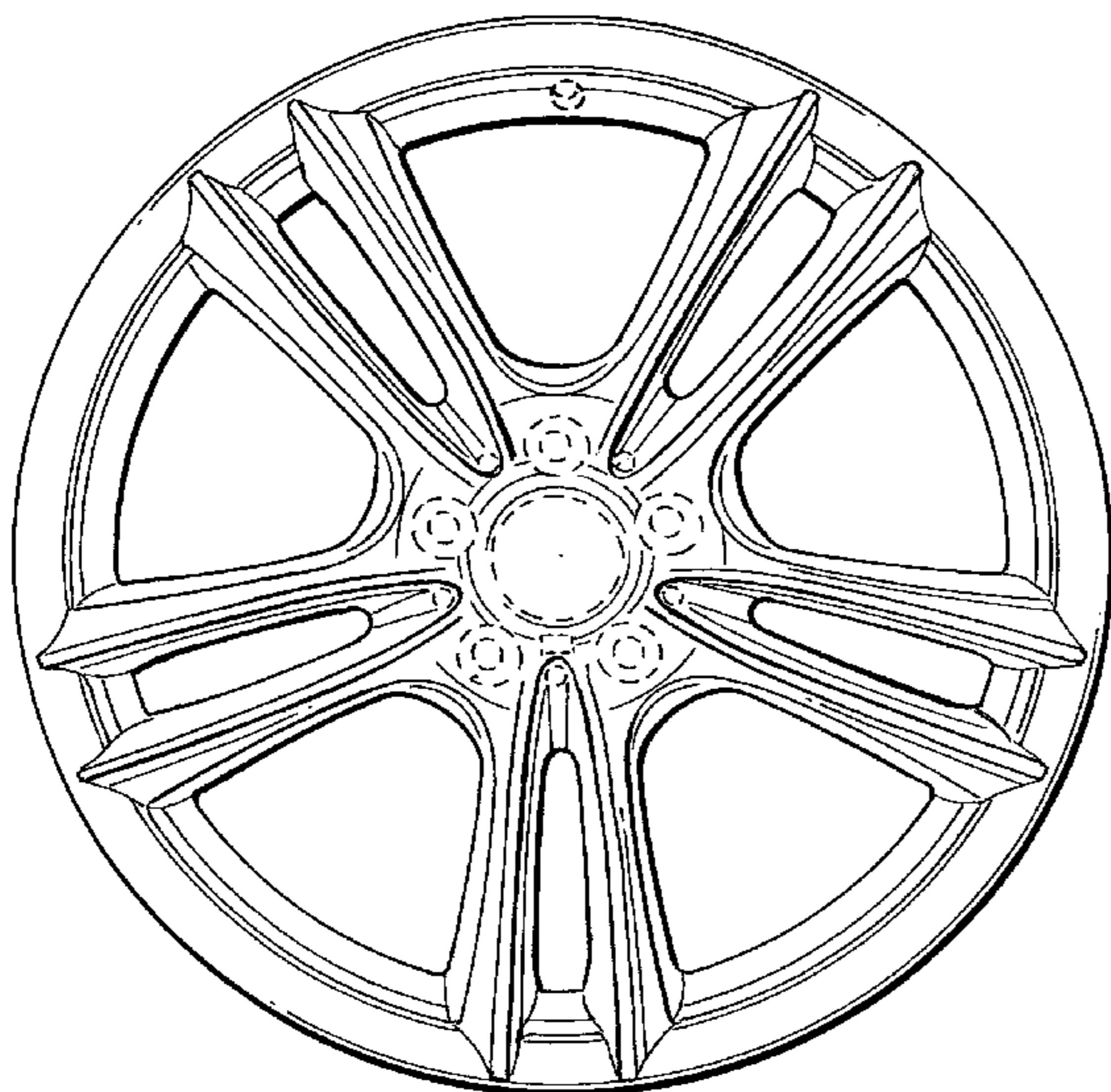
(57) **CLAIM**

The ornamental design for a wheel or wheel cover, as shown and described.

**DESCRIPTION**

This application contains subject matter related to the following pending U.S. design patent application:  
Application Ser. No. 29/347,018.  
FIG. 1 is a front view of a wheel or wheel cover according to my design; and,  
FIG. 2 is a perspective view thereof.  
The broken line showing of the rear of the wheel, the valve stem hole, and the bolt holes and the center hole in the central hub area is included for the purpose of illustrating environment and forms no part of the claimed design.

**1 Claim, 1 Drawing Sheet**



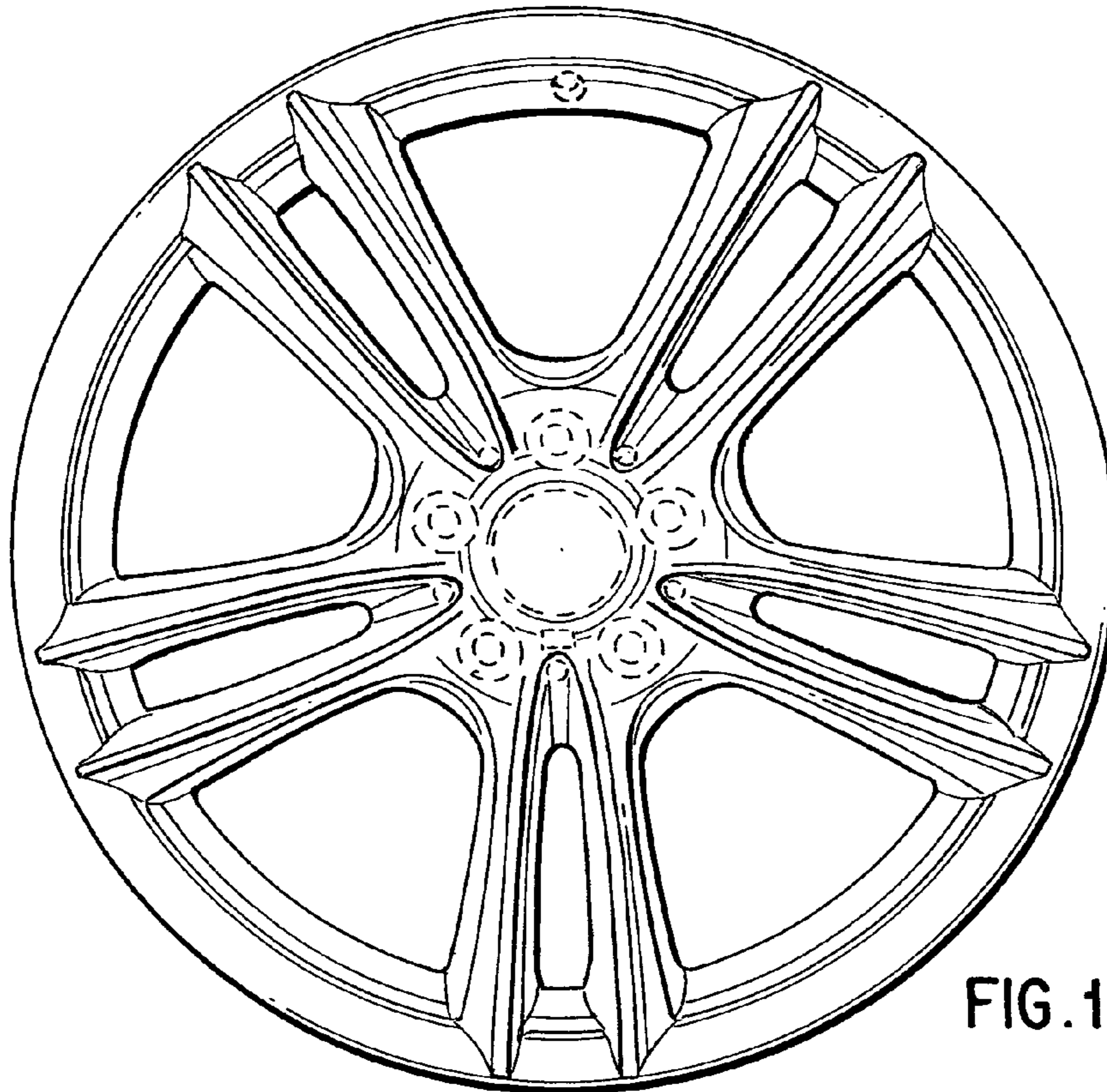


FIG. 1

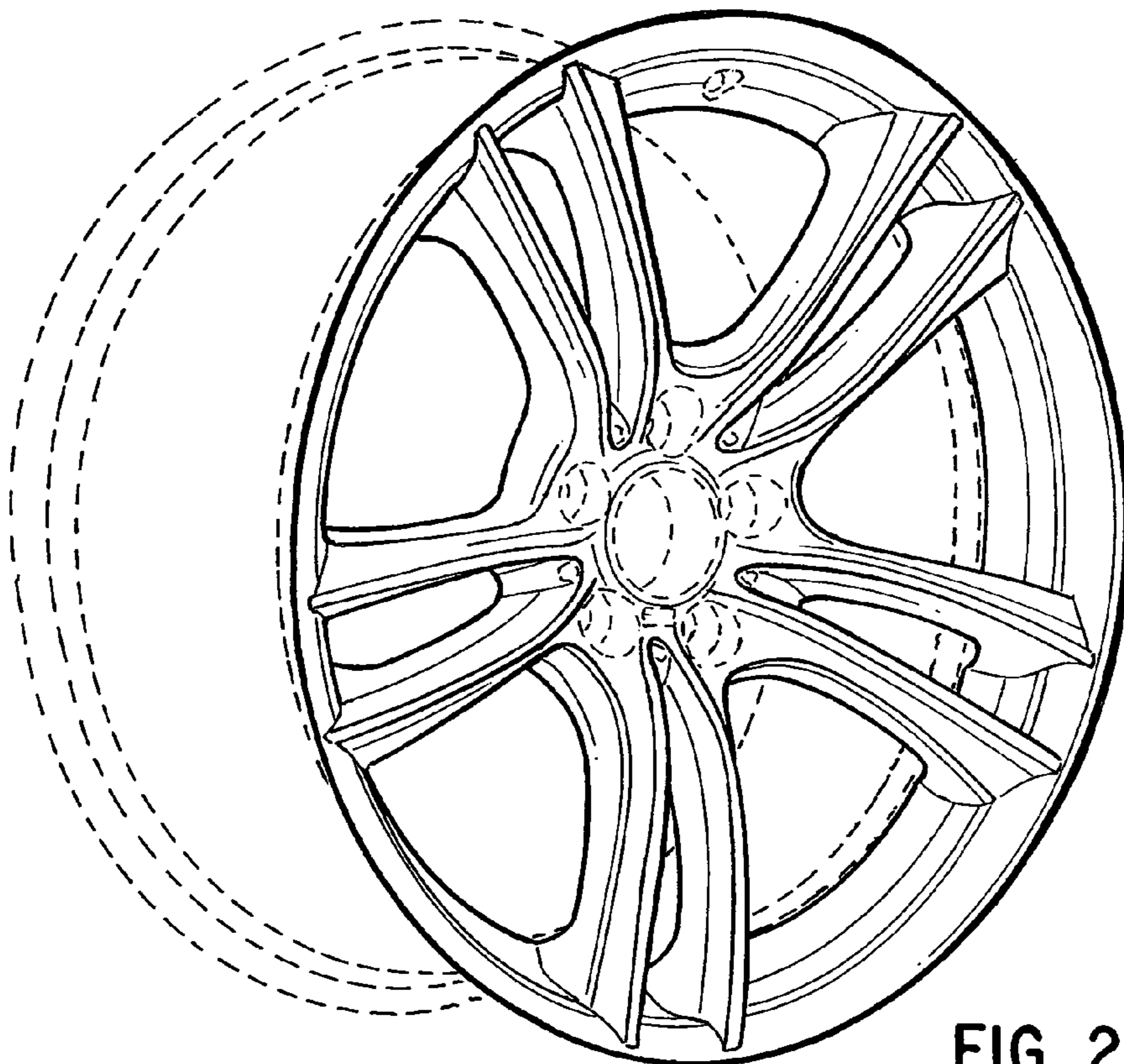


FIG. 2